



US00D354896S

# United States Patent [19]

[11] Patent Number: **Des. 354,896**

Lordier

[45] Date of Patent: **\*\* Jan. 31, 1995**

[54] SAFETY GARBAGE PUSHER

3,765,275	10/1973	Johnson .....	294/1.1 X
3,780,393	12/1973	Gaetke .....	294/1.1 X
3,895,548	7/1975	Sauve .....	294/1.1 X
4,268,080	5/1981	Lindley .....	294/1.1

[76] Inventor: **Edgar T. Lordier**, 230 Littleflower La., Columbus, Ohio 43213

[\*\*] Term: **14 Years**

*Primary Examiner*—Terry A. Wallace  
*Assistant Examiner*—Richelle Shelton  
*Attorney, Agent, or Firm*—Thomas S. Baker, Jr.

[21] Appl. No.: **16,400**

[22] Filed: **Dec. 16, 1993**

[57] **CLAIM**

[52] U.S. Cl. .... **D8/19; D8/14**

The ornamental design for a safety garbage pusher, as shown and described.

[58] Field of Search ..... **D8/14, 19, 499; 15/236.01, 104.05; 81/488; 254/1; 294/1.1; 241/169.2; 4/295; D32/42; D7/682**

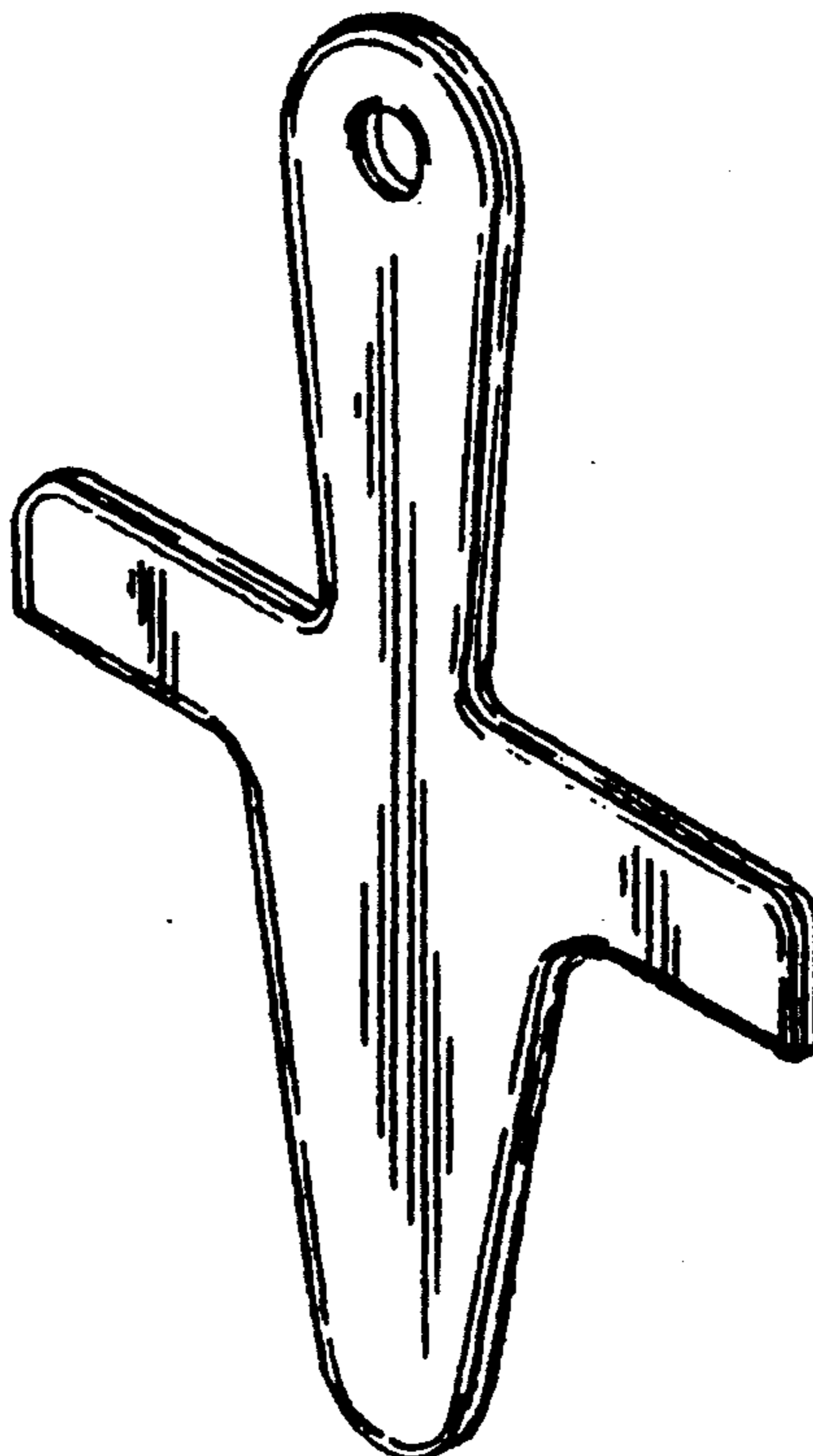
**DESCRIPTION**

[56] **References Cited**

FIG. 1 is a perspective view of a safety garbage pusher showing my new design;  
FIG. 2 is a front elevation view thereof;  
FIG. 3 is a side elevation view thereof, the opposite side being a mirror image;  
FIG. 4 is a top plan view thereof; and,  
FIG. 5 is a bottom plan view thereof.

**U.S. PATENT DOCUMENTS**

Re. 32,141	5/1986	Cosner .....	294/1.1 X
D. 266,963	11/1982	Sherman .....	D8/14 X
D. 292,835	11/1987	Schaber .....	D8/14 X
D. 299,205	1/1989	Reese .....	D8/19



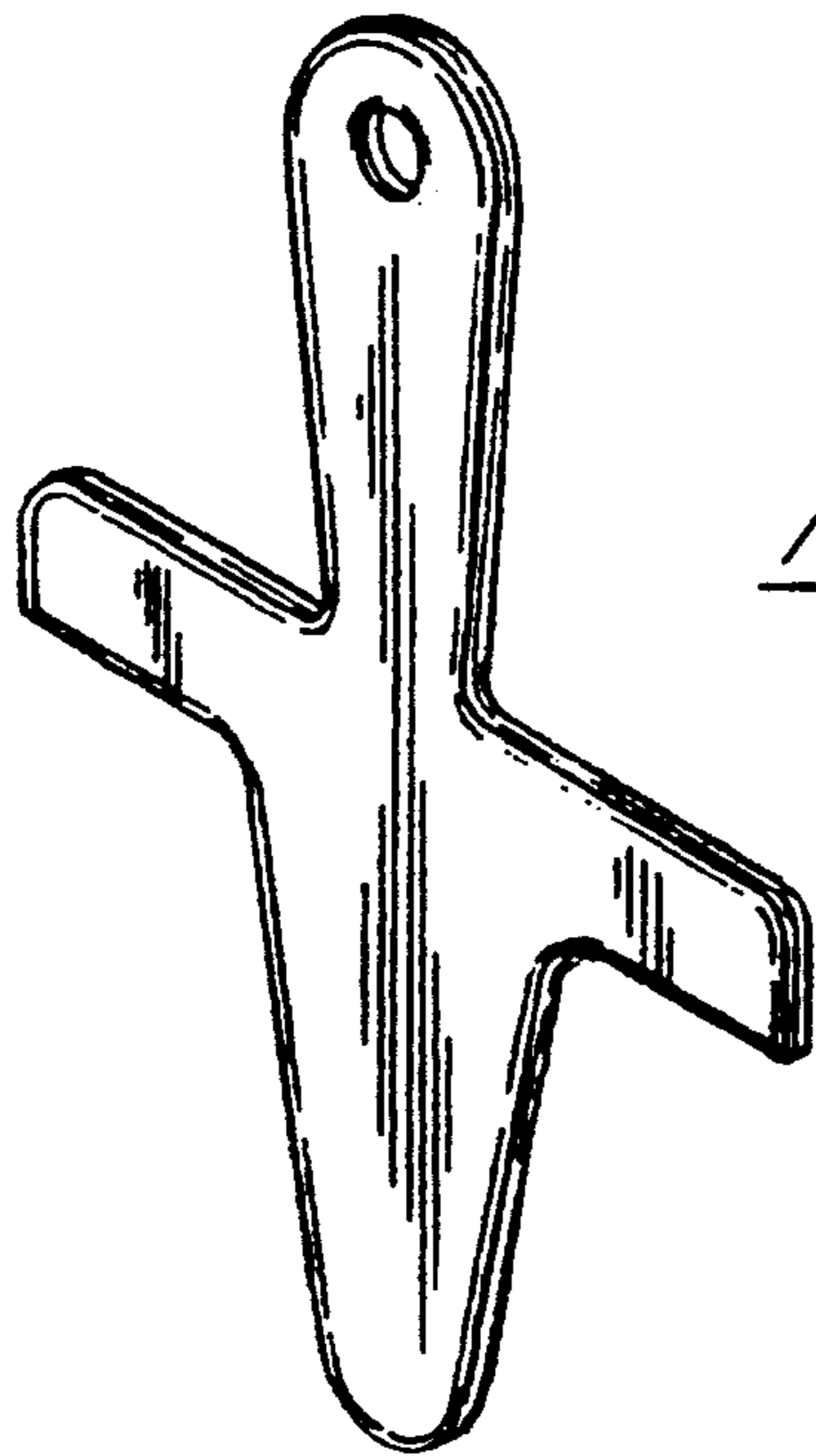


FIG. 1

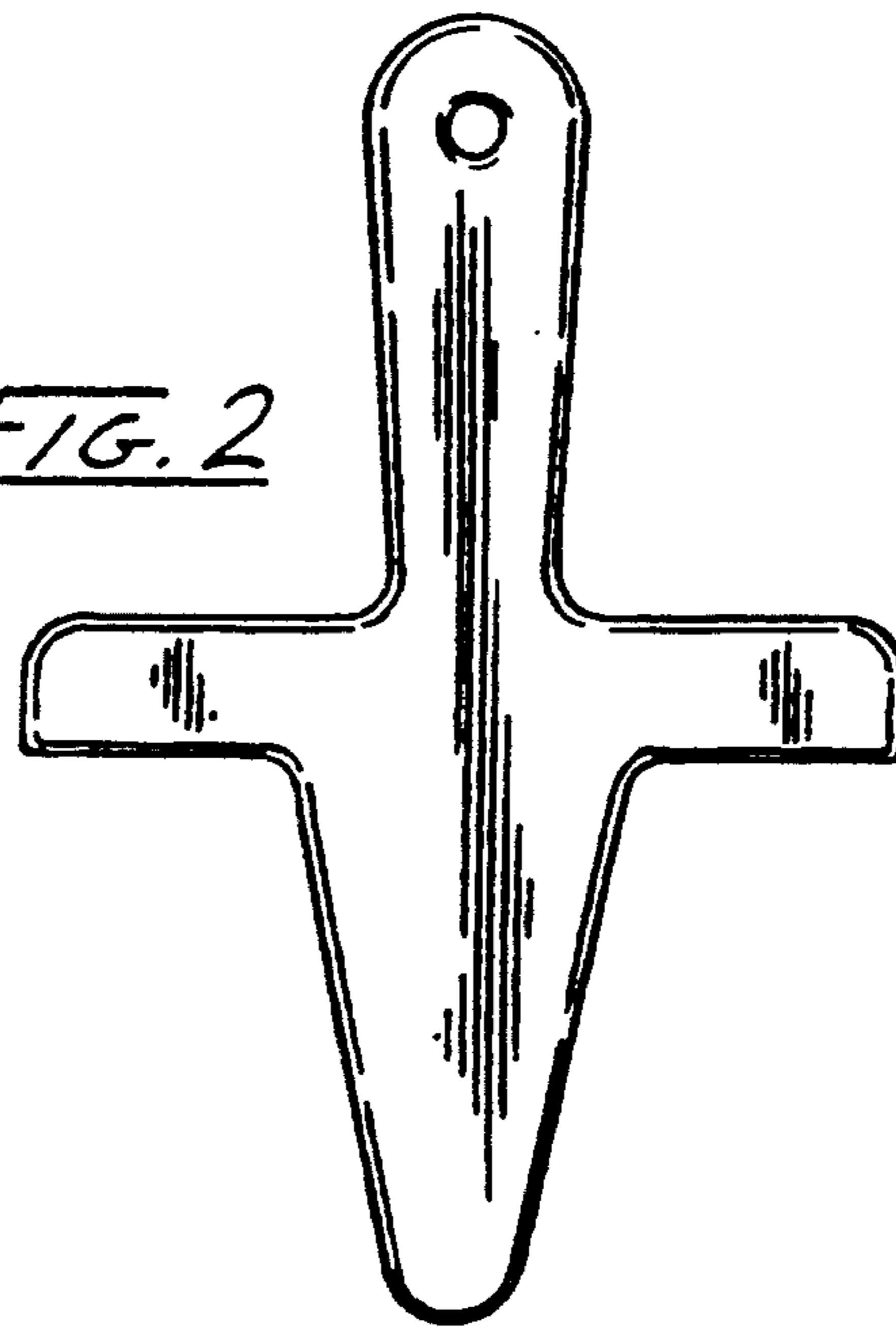


FIG. 2



FIG. 3



FIG. 4



FIG. 5