



US00D354893S

United States Patent [19]

[11] Patent Number: **Des. 354,893**

Bishop

[45] Date of Patent: **** Jan. 31, 1995**

[54] VALVE PACKING REMOVAL TOOL

D. 346,101 4/1994 Soliz D8/27
4,715,252 12/1987 Pella 81/176.1

[76] Inventor: **Aaron L. Bishop**, 7553 Alward Rd.,
Laingsburg, Mich. 48848

Primary Examiner—Bernard Ansher
Assistant Examiner—Mitchell I. Siegel
Attorney, Agent, or Firm—Ian C. McLeod

[**] Term: **14 Years**

[21] Appl. No.: **8,442**

[57] **CLAIM**

[22] Filed: **May 17, 1993**

The ornamental design for a valve packing removal tool, as shown and described.

[52] U.S. Cl. **D8/14; D8/27**

[58] Field of Search **D8/20-29,**
D8/14; 81/176.1, 176.2, 423; 7/138

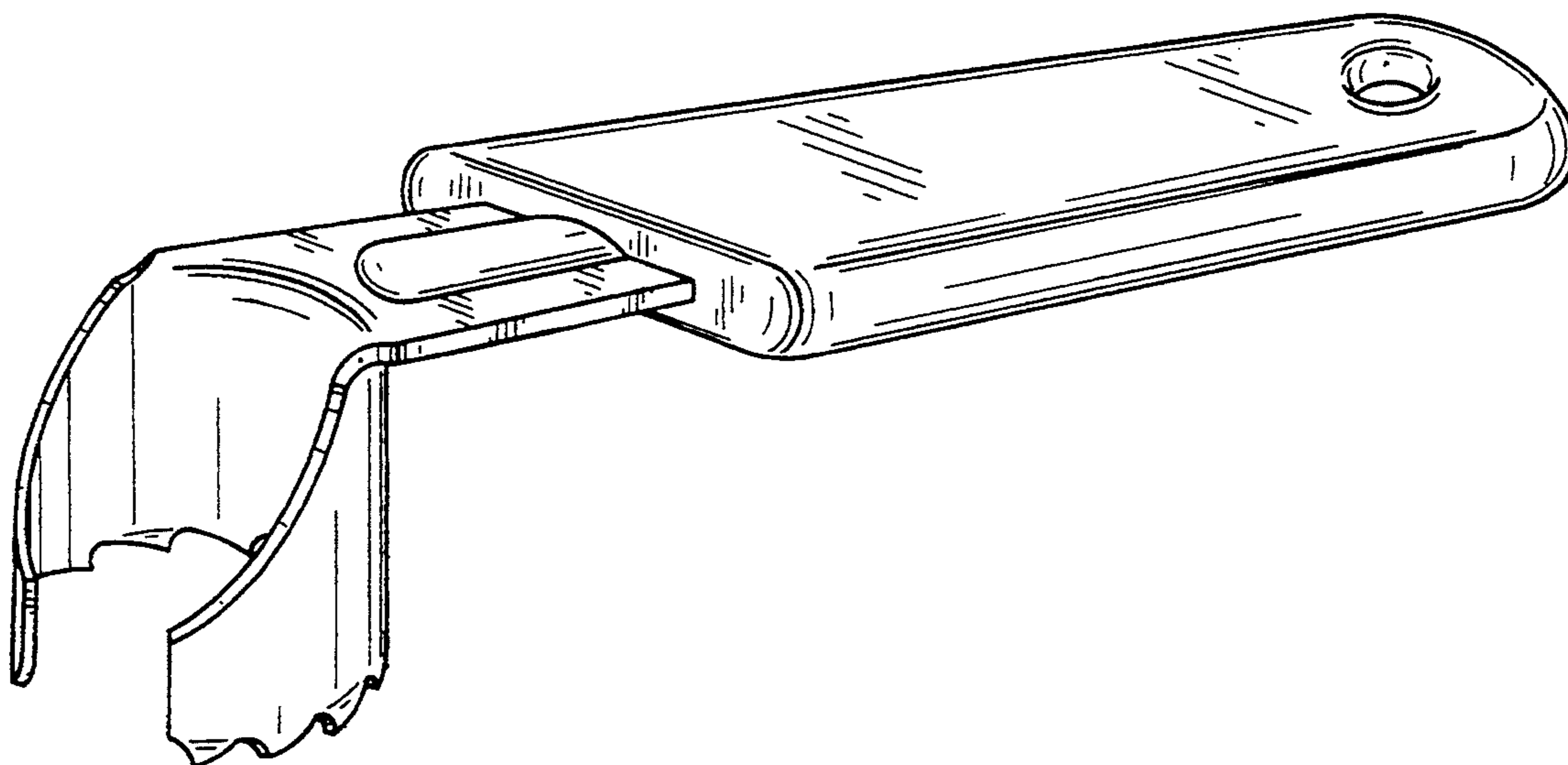
DESCRIPTION

[56] **References Cited**

U.S. PATENT DOCUMENTS

D. 24,773 10/1895 Spadone D8/27
D. 140,627 3/1945 Armenta D8/27
D. 215,537 10/1969 Cocks D8/27
D. 239,081 3/1976 Cronin D8/27

FIG. 1 is a right side elevational view of a valve packing removal tool showing my new design;
FIG. 2 is a bottom plan view thereof;
FIG. 3 is a left side elevational view thereof;
FIG. 4 is a top plan view thereof;
FIG. 5 is a front elevational view thereof;
FIG. 6 is a rear elevational view thereof; and,
FIG. 7 is a perspective view thereof.



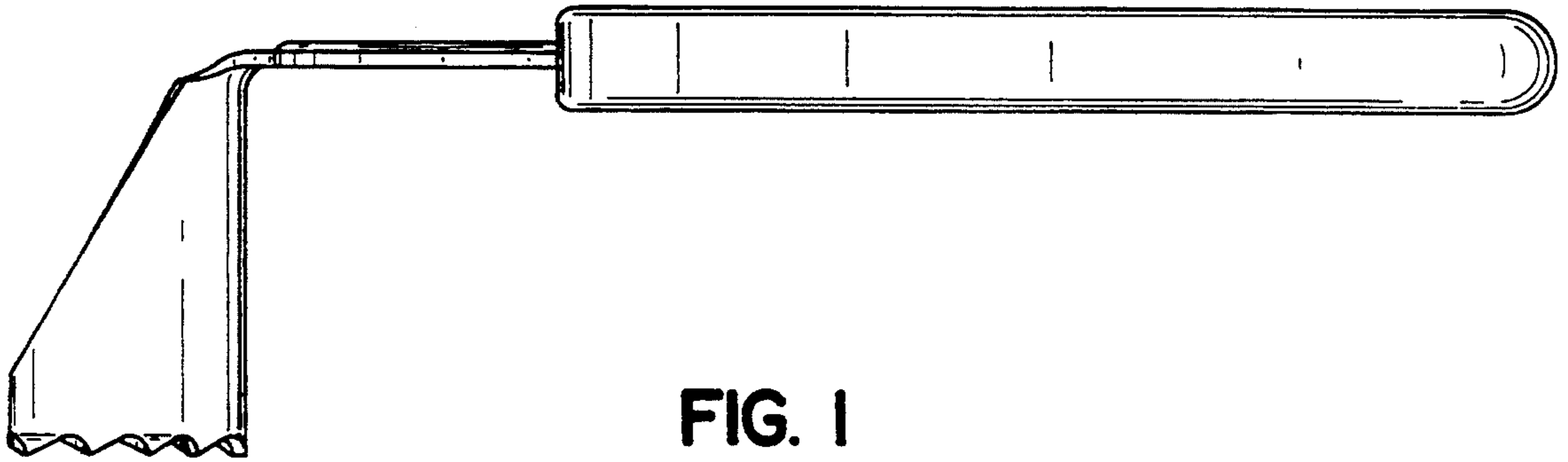


FIG. 1

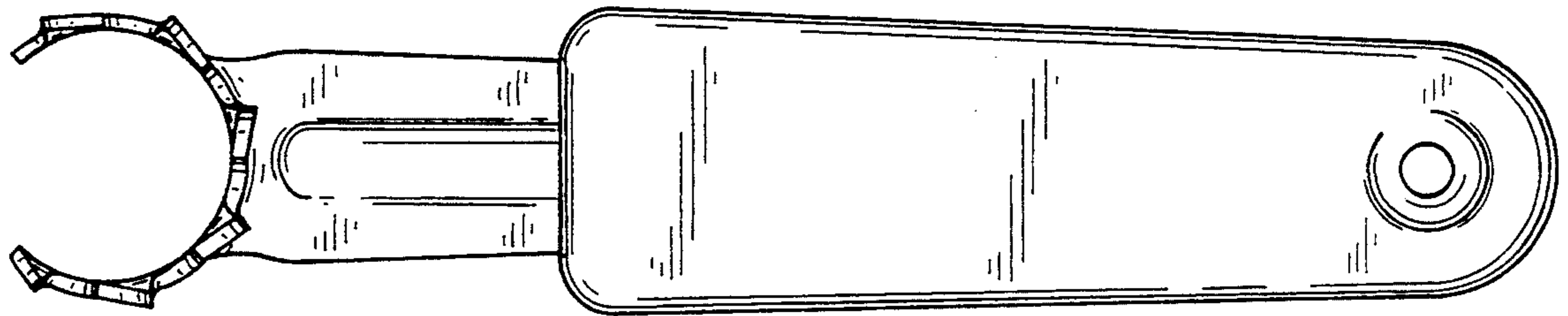


FIG. 2

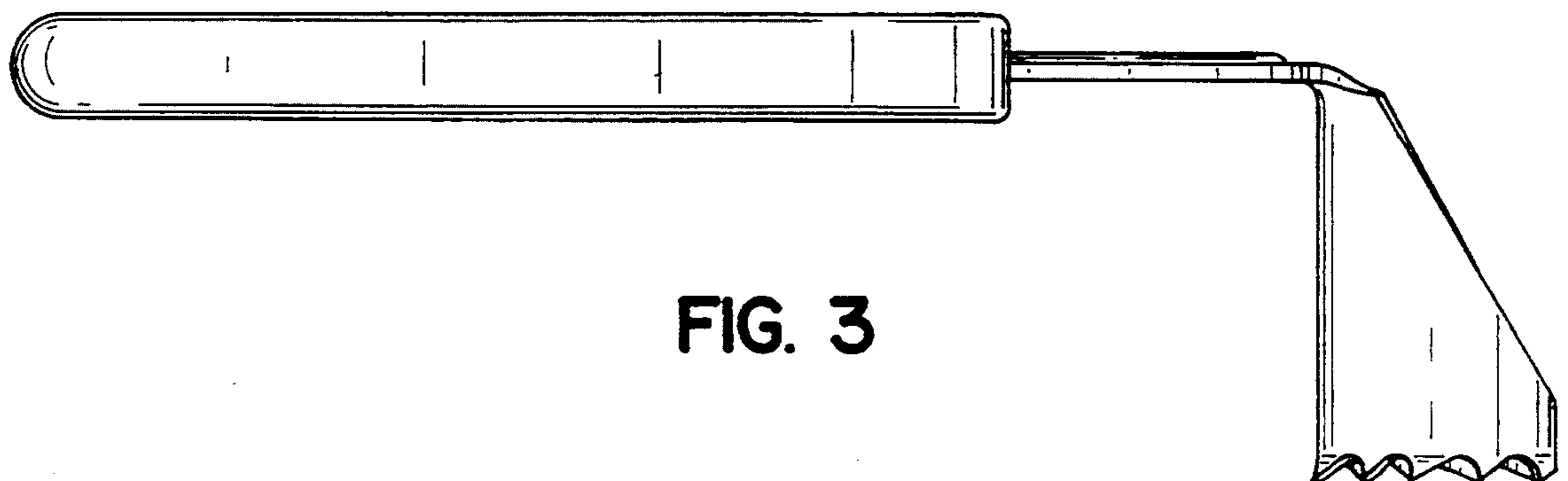


FIG. 3

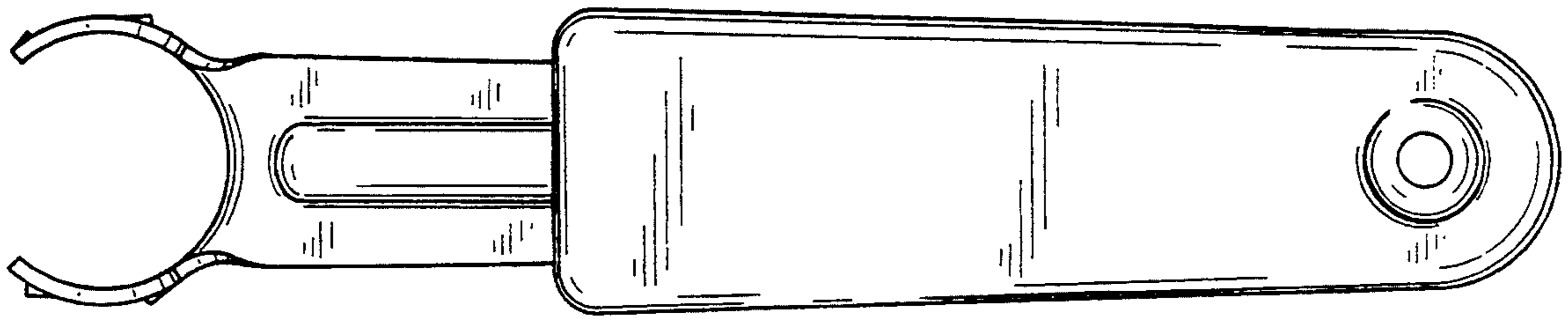


FIG. 4

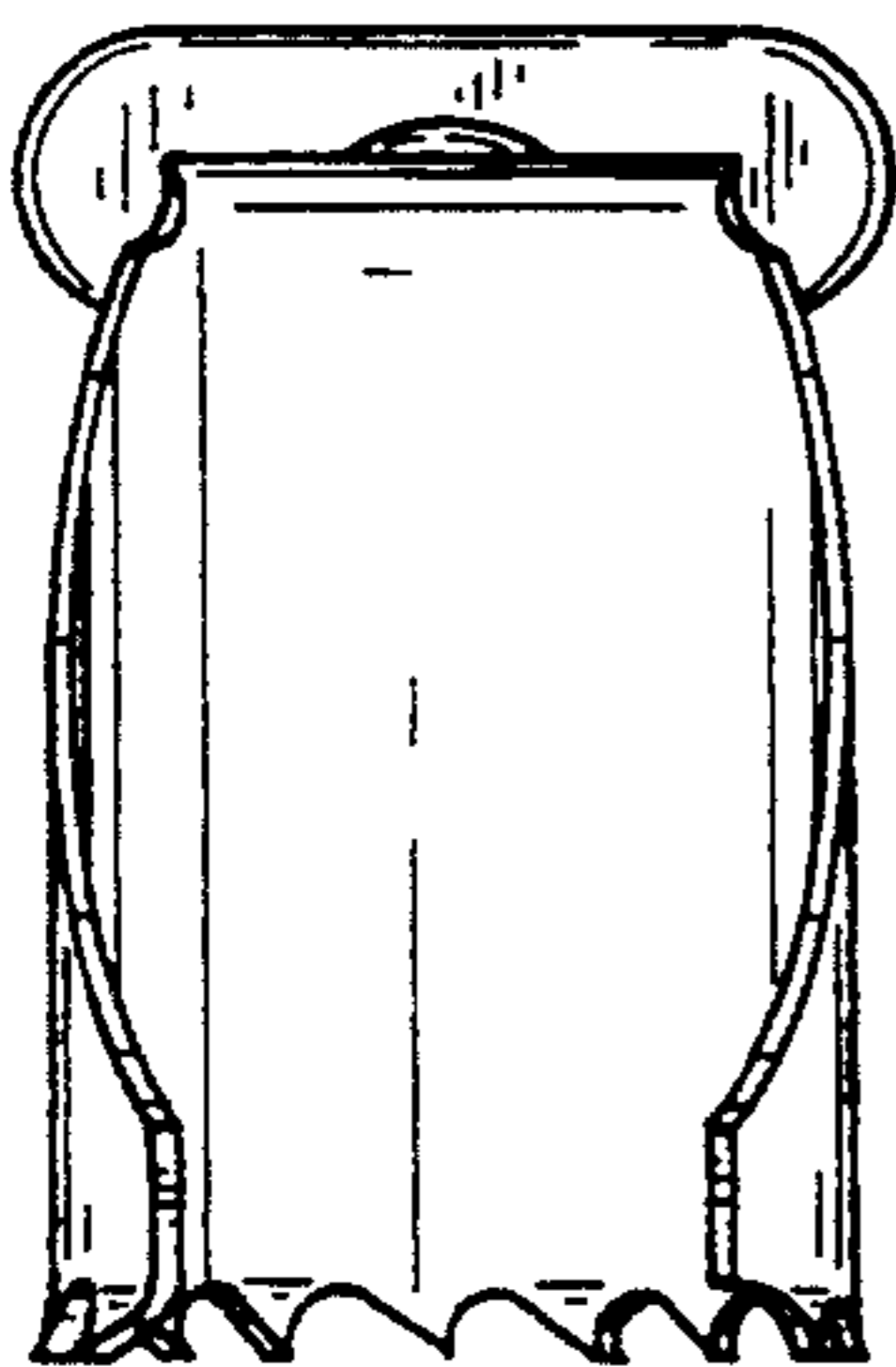


FIG. 5

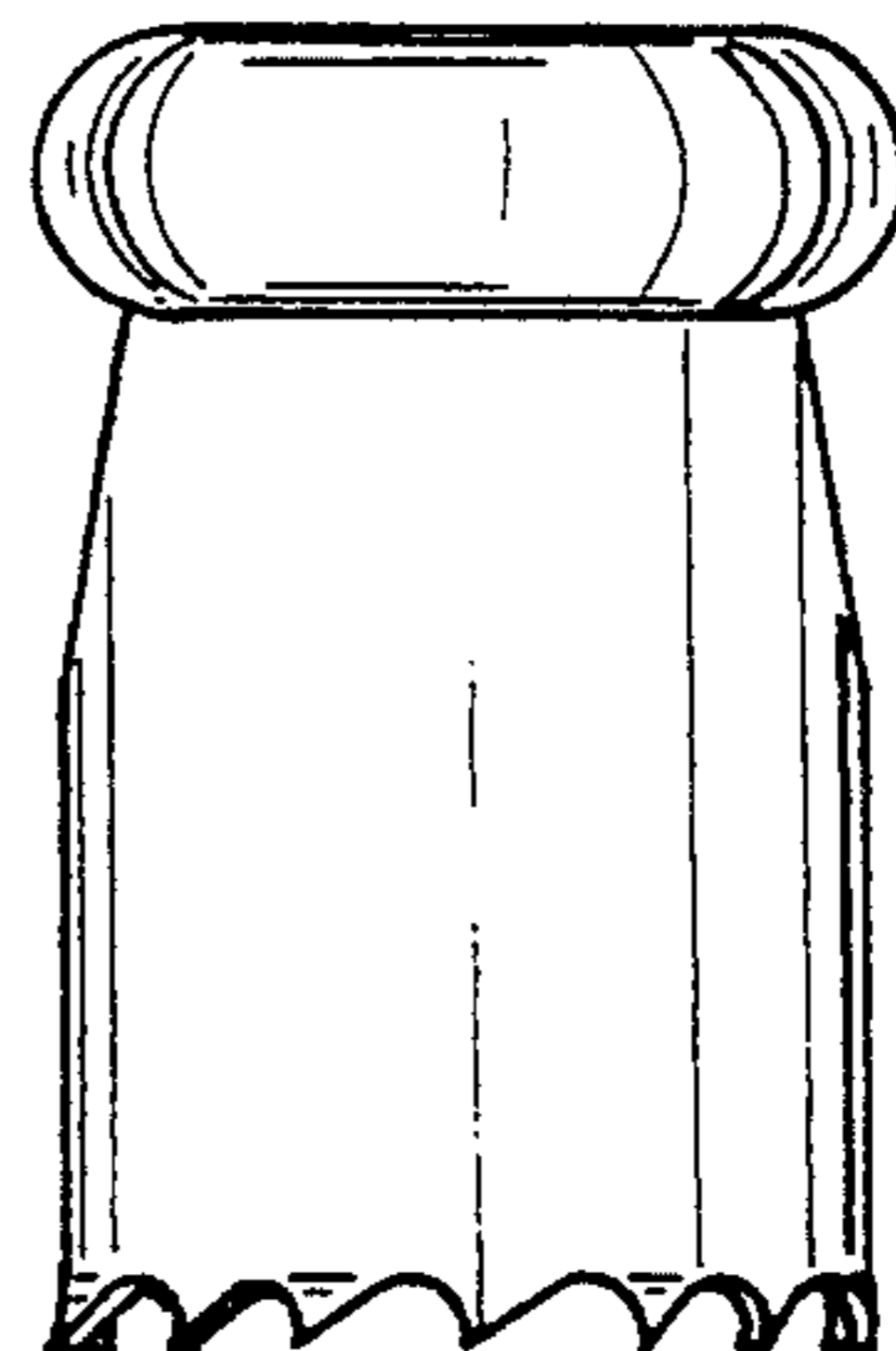


FIG. 6

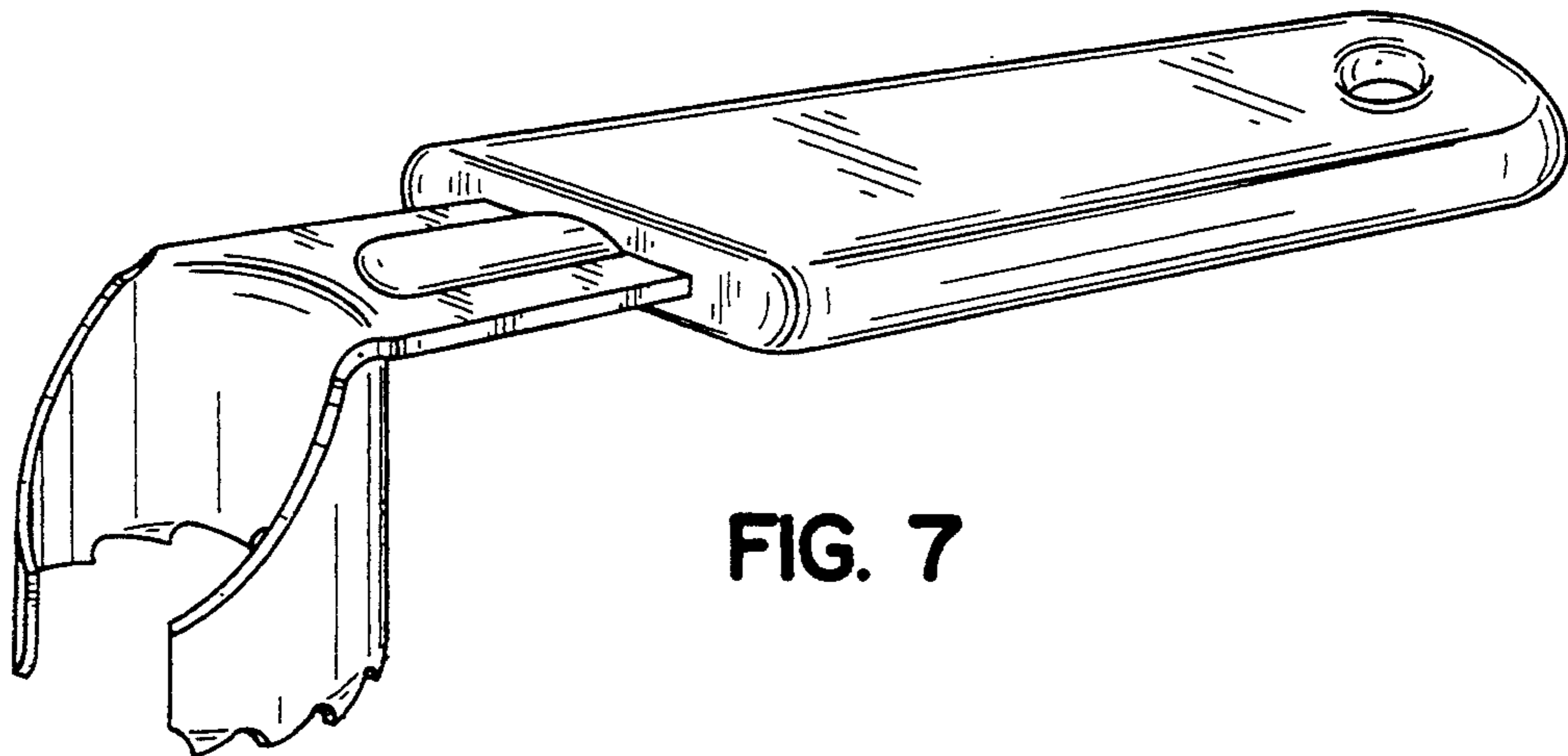


FIG. 7