



US00D354892S

United States Patent [19] Griffin

[11] Patent Number: **Des. 354,892**

[45] Date of Patent: *** Jan. 31, 1995**

[54] **ELECTRIC GRASS TRIMMER**

[75] Inventor: **John Griffin, Phoenix, Ariz.**

[73] Assignee: **McCulloch Corporation, Tucson, Ariz.**

[*] Notice: The portion of the term of this patent subsequent to Oct. 25, 2008 has been disclaimed.

[**] Term: **14 Years**

[21] Appl. No.: **874,566**

[22] Filed: **Apr. 24, 1992**

[52] U.S. Cl. **D8/8**

[58] Field of Search **D8/8; D15/14-18; 30/276, 390, DIG. 5; 56/12.7, 234, 239, 249, 255, 289, 295**

4,603,478 8/1986 Anderson 30/347
 4,631,828 12/1986 Burnett 30/347
 4,827,702 5/1989 Cerreta 30/276

OTHER PUBLICATIONS

Washington Post, Sears Pull-Out Feb. 17, 1991 "Craftsman Weedwacker".

Primary Examiner—Bernard Ansher
Assistant Examiner—Sandra Morris
Attorney, Agent, or Firm—Marshall, O'Toole, Gerstein, Murray & Borun

[57] CLAIM

The ornamental design for an electric grass trimmer, as shown and described.

DESCRIPTION

FIG. 1 is a perspective view of an electric grass trimmer showing my new design;
 FIG. 2 is a left side view of the bottom portion thereof;
 FIG. 3 is a right side view of the bottom portion thereof;
 FIG. 4 is a front view of the bottom portion thereof;
 FIG. 5 is a rear view of the bottom portion thereof;
 FIG. 6 is a top view of the bottom portion thereof;
 FIG. 7 is a bottom view of the bottom portion thereof;
 FIG. 8 is a side view of the grip portion thereof;
 FIG. 9 is a top view of the grip portion thereof;
 FIG. 10 is a bottom view of the grip portion thereof;
 and,
 FIG. 11 is a rear view of the grip portion thereof.

[56] References Cited

U.S. PATENT DOCUMENTS

D. 248,654	7/1978	Ruhl et al.	D8/8
D. 249,630	9/1978	Ballas	D8/8
D. 251,957	5/1979	Averitt	D8/8
D. 251,961	5/1979	Averitt	D8/8
D. 253,086	10/1979	Hinklin et al.	D8/8
D. 255,764	7/1980	Lombard	D8/8
D. 256,090	7/1980	Hinklin et al.	D8/8
4,167,812	9/1979	Moore	30/276
4,237,610	12/1980	Bradus et al.	30/276
4,282,653	8/1981	Comer et al.	56/127

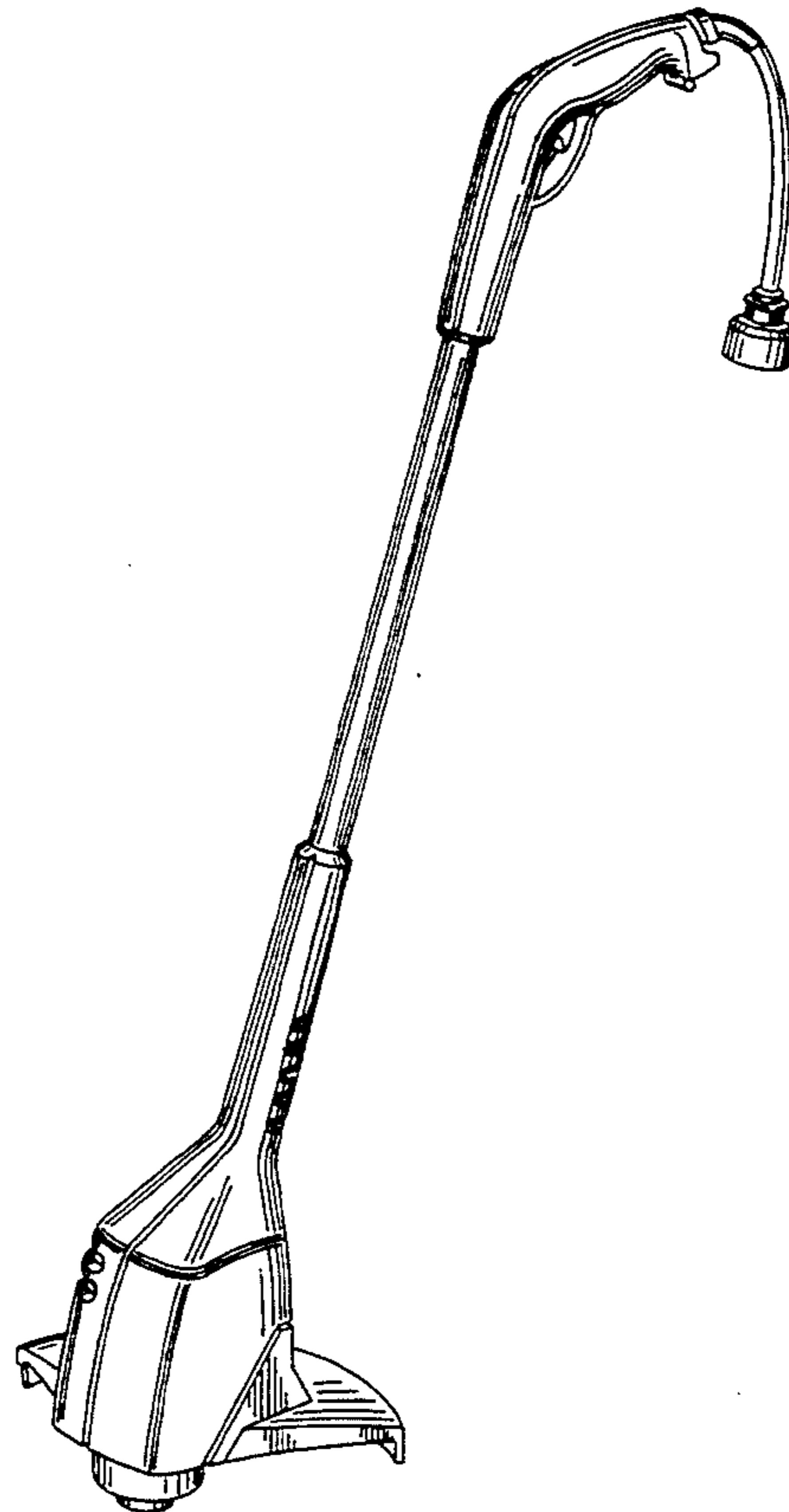


FIG. 1



FIG. 2

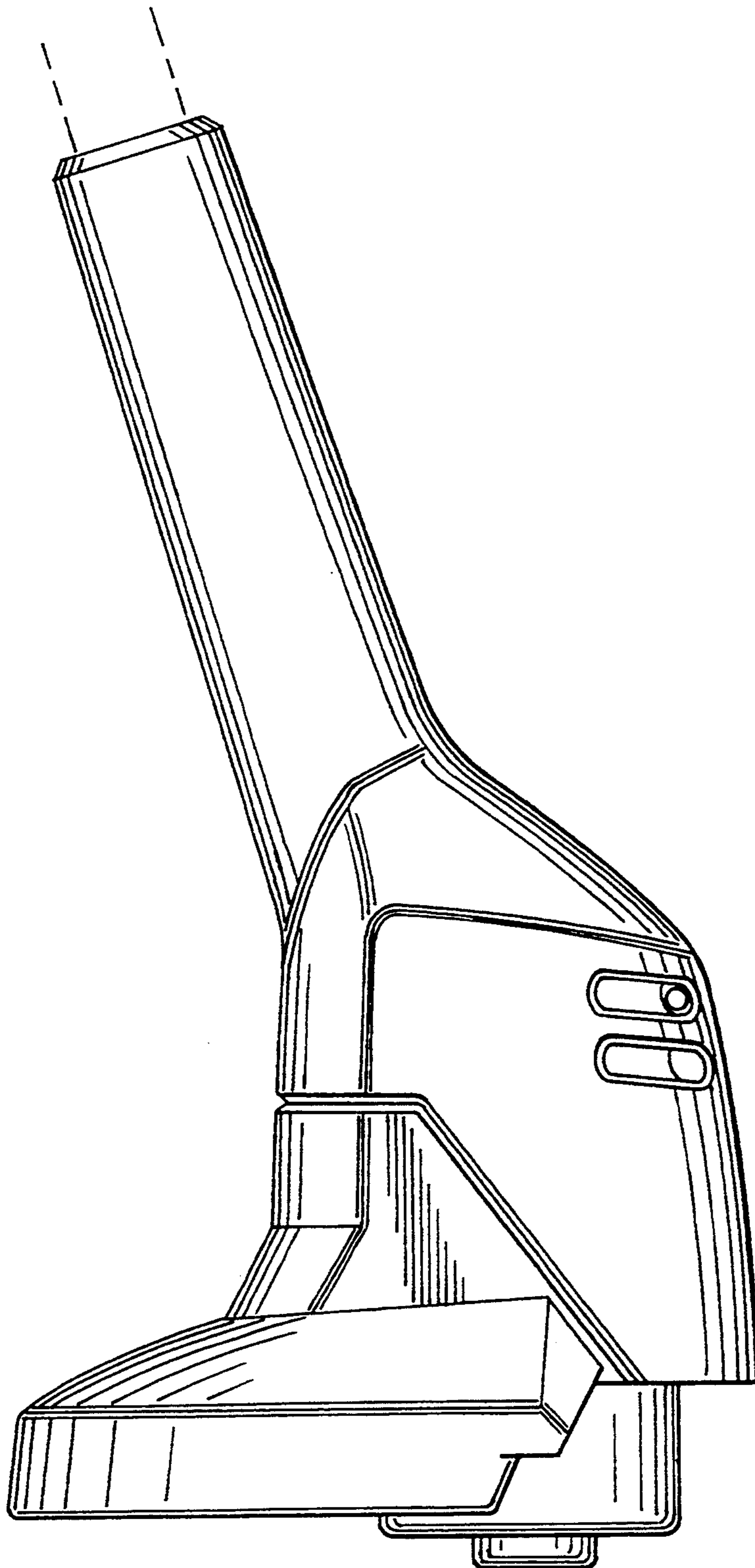


FIG. 3

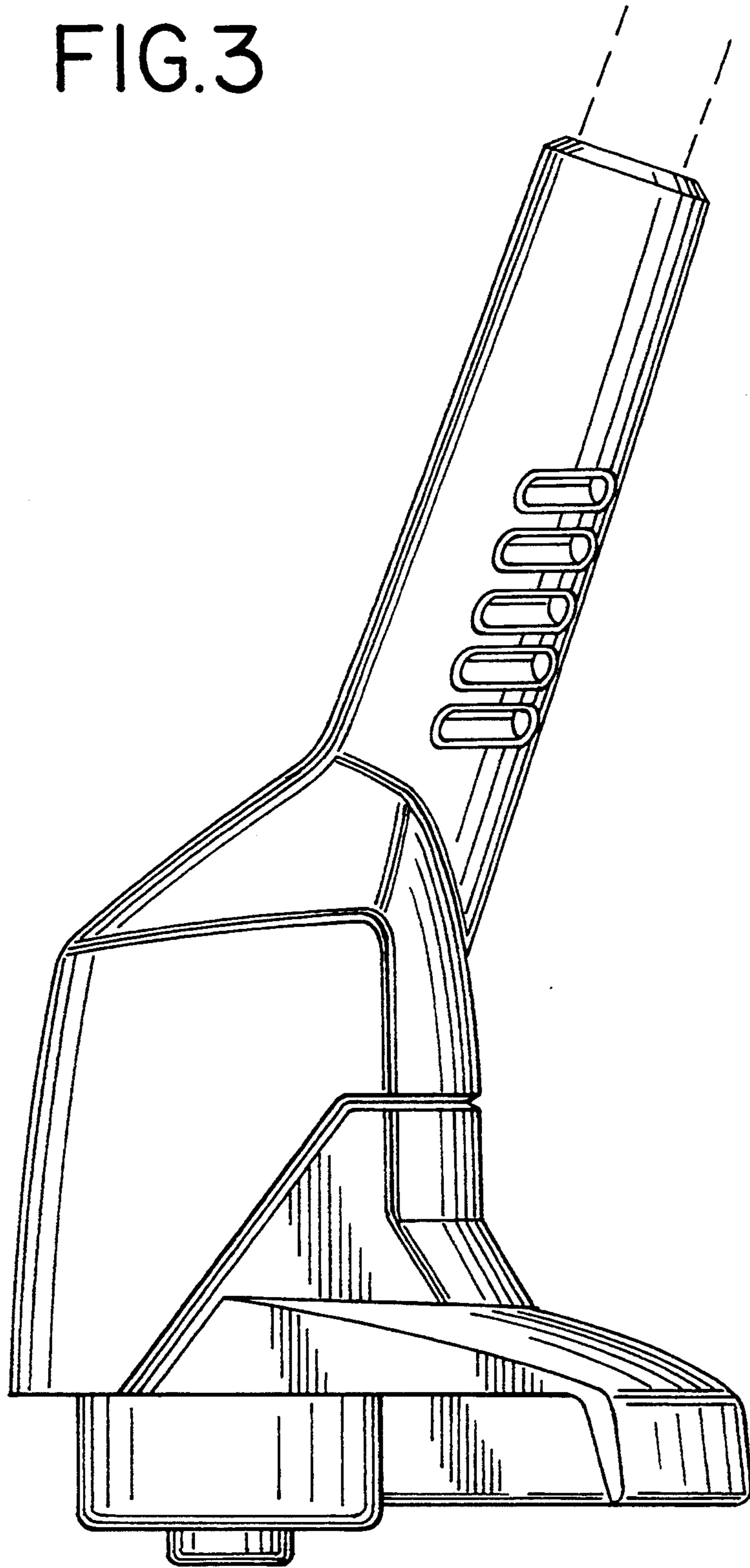


FIG. 4

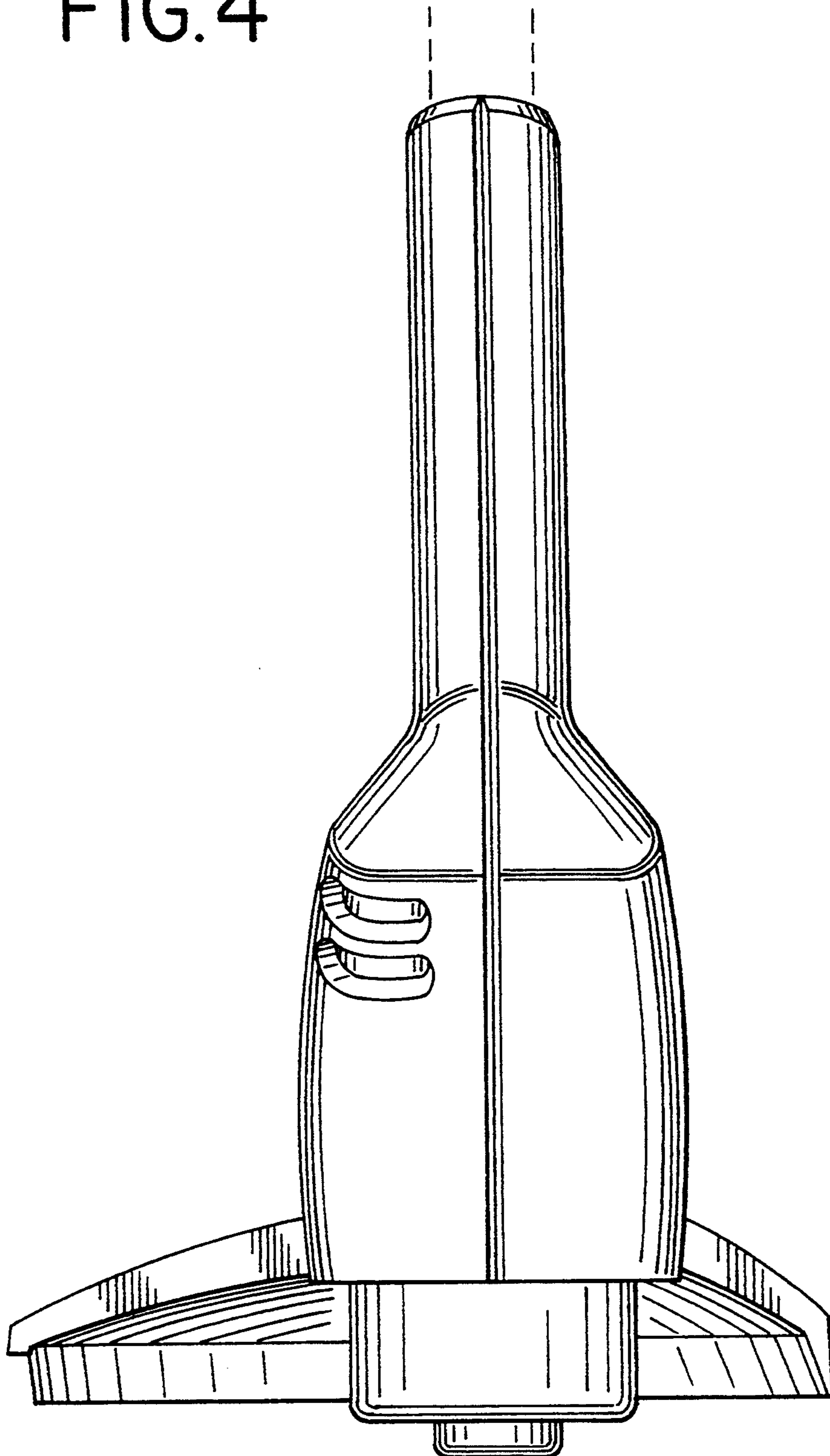


FIG. 5

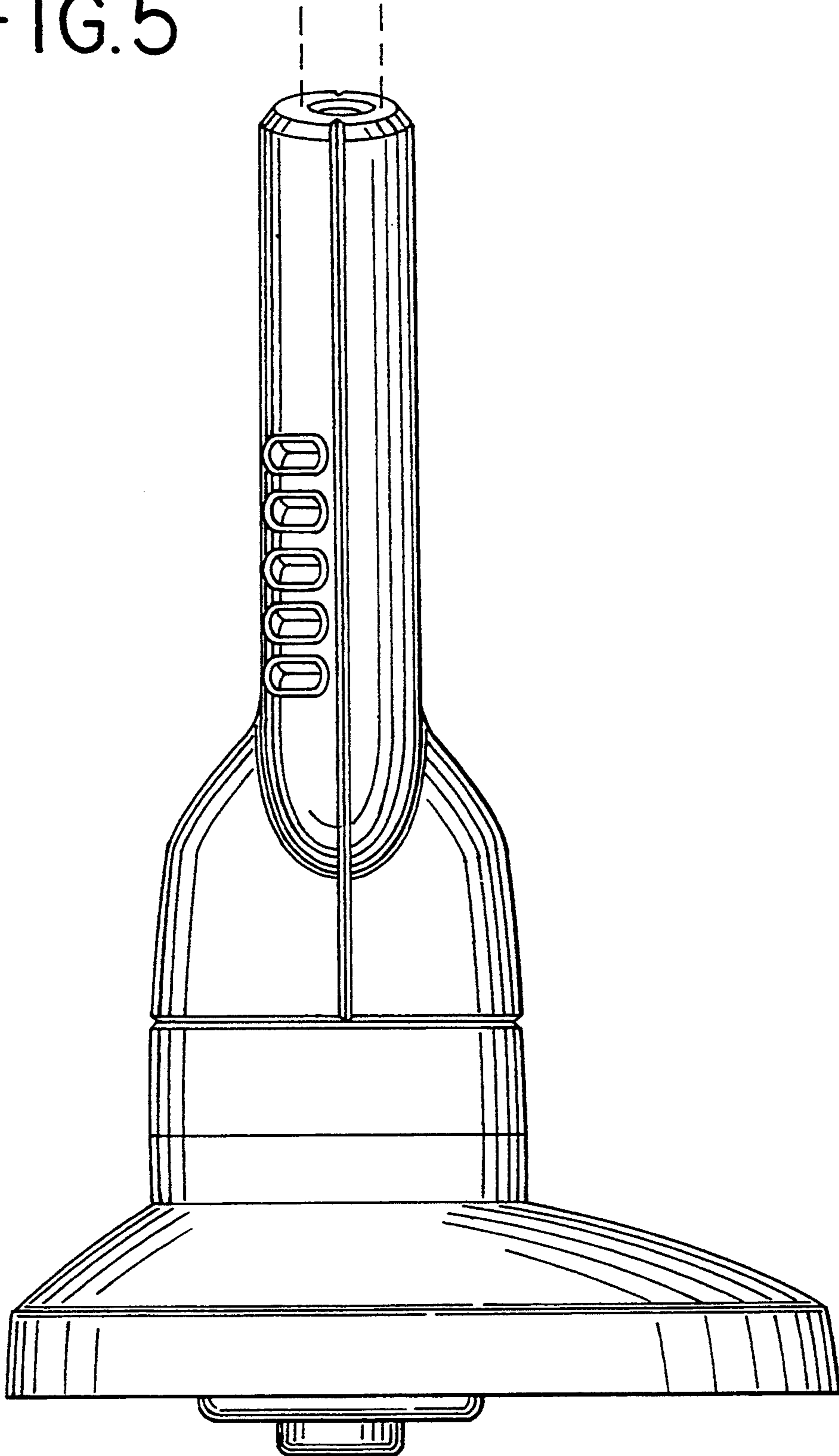


FIG. 7

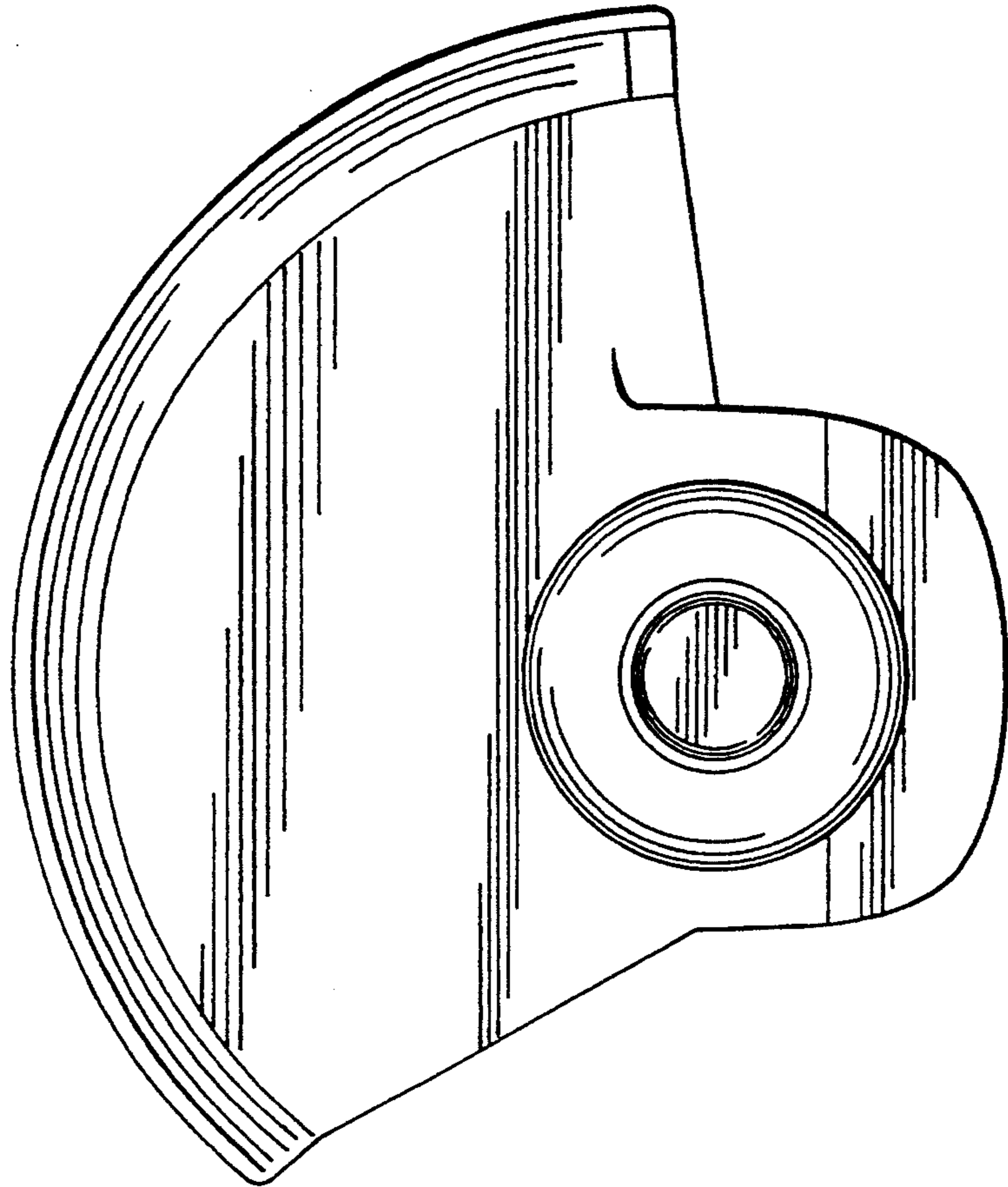


FIG. 6

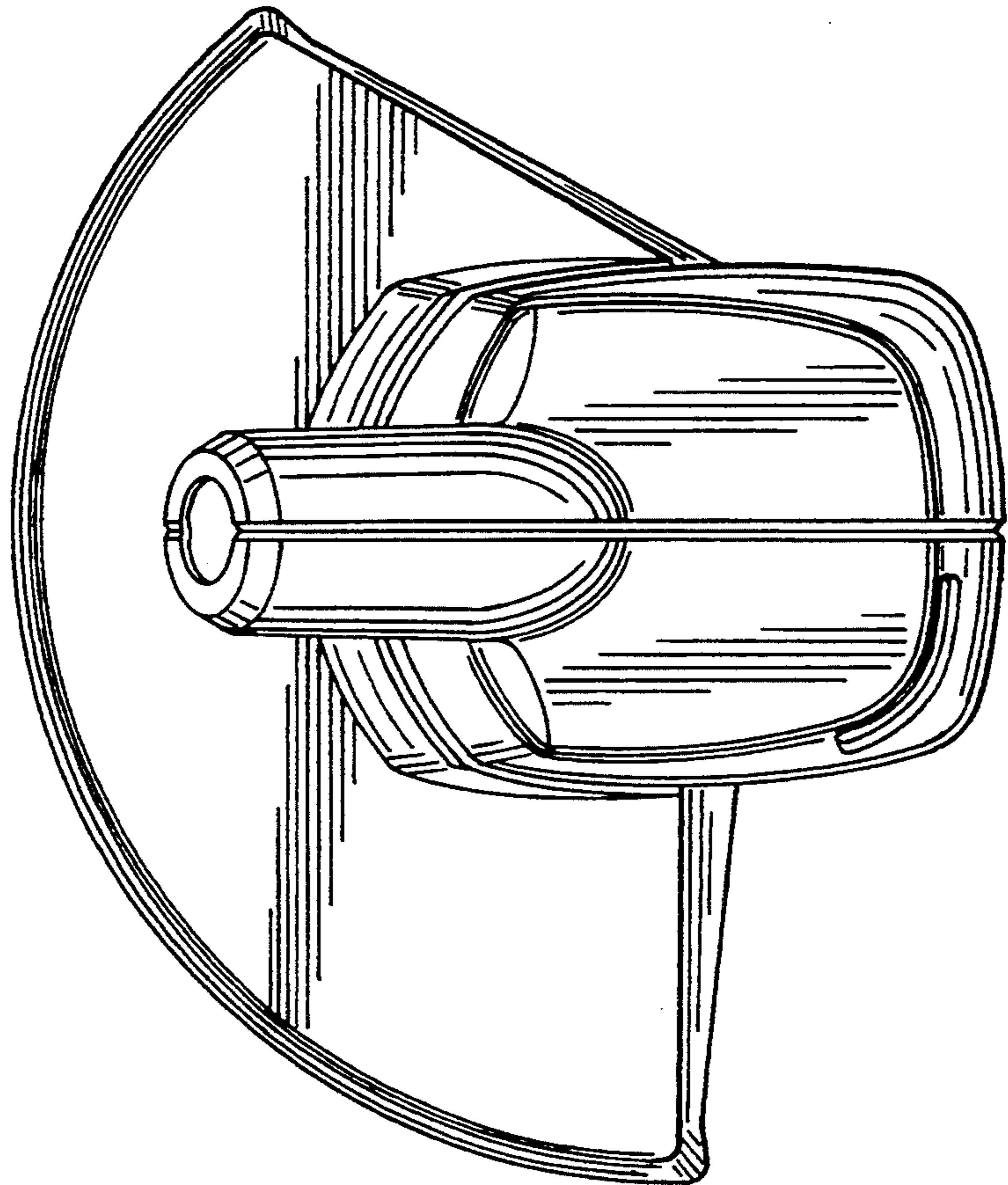


FIG. 9

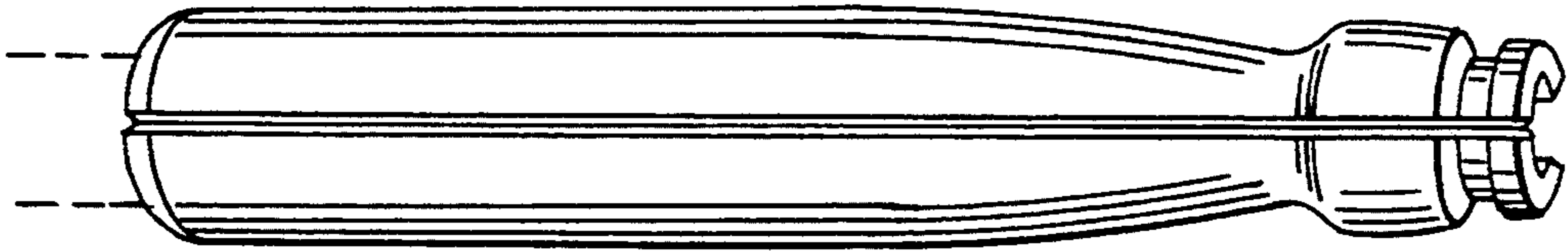


FIG. 8

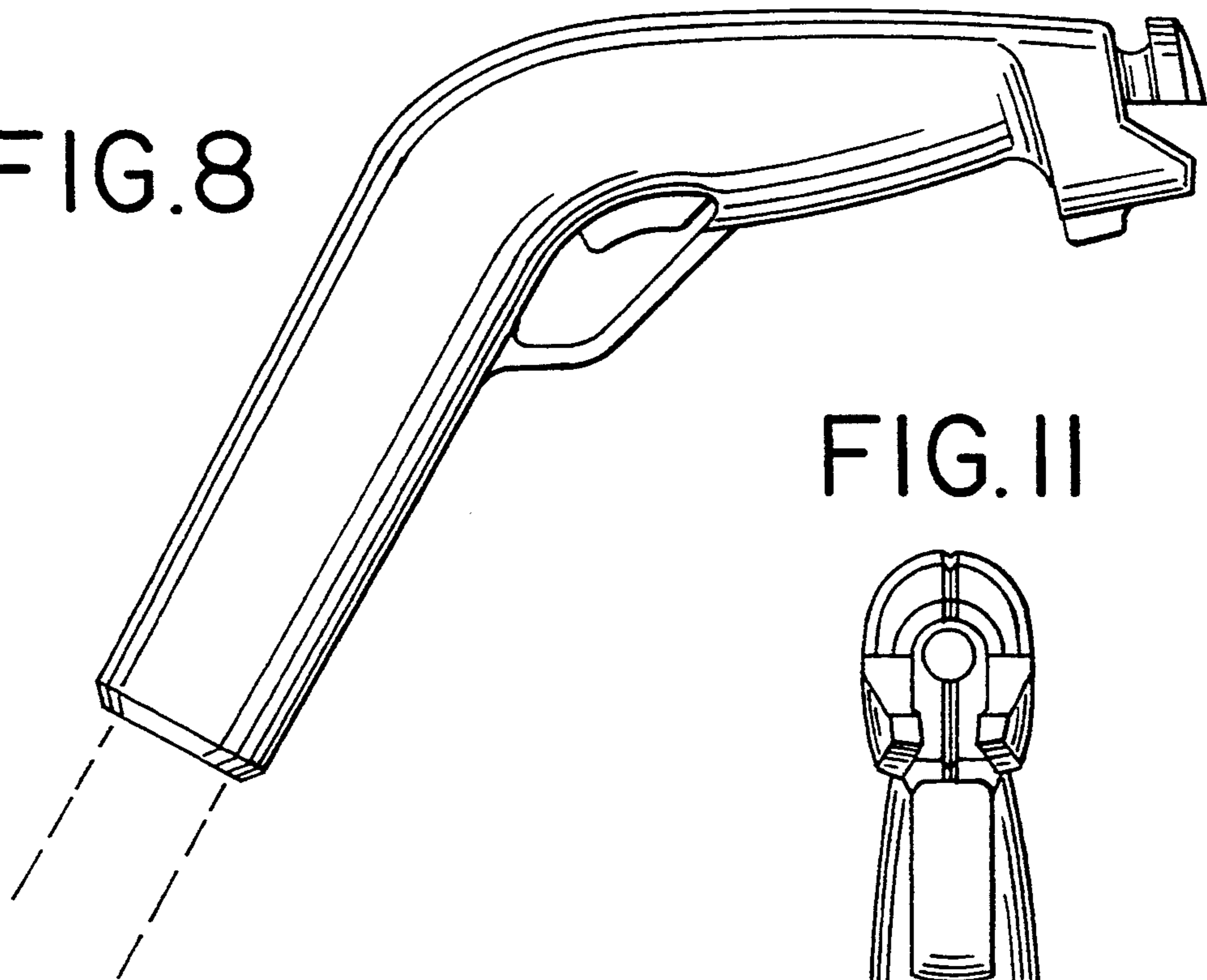


FIG. 11

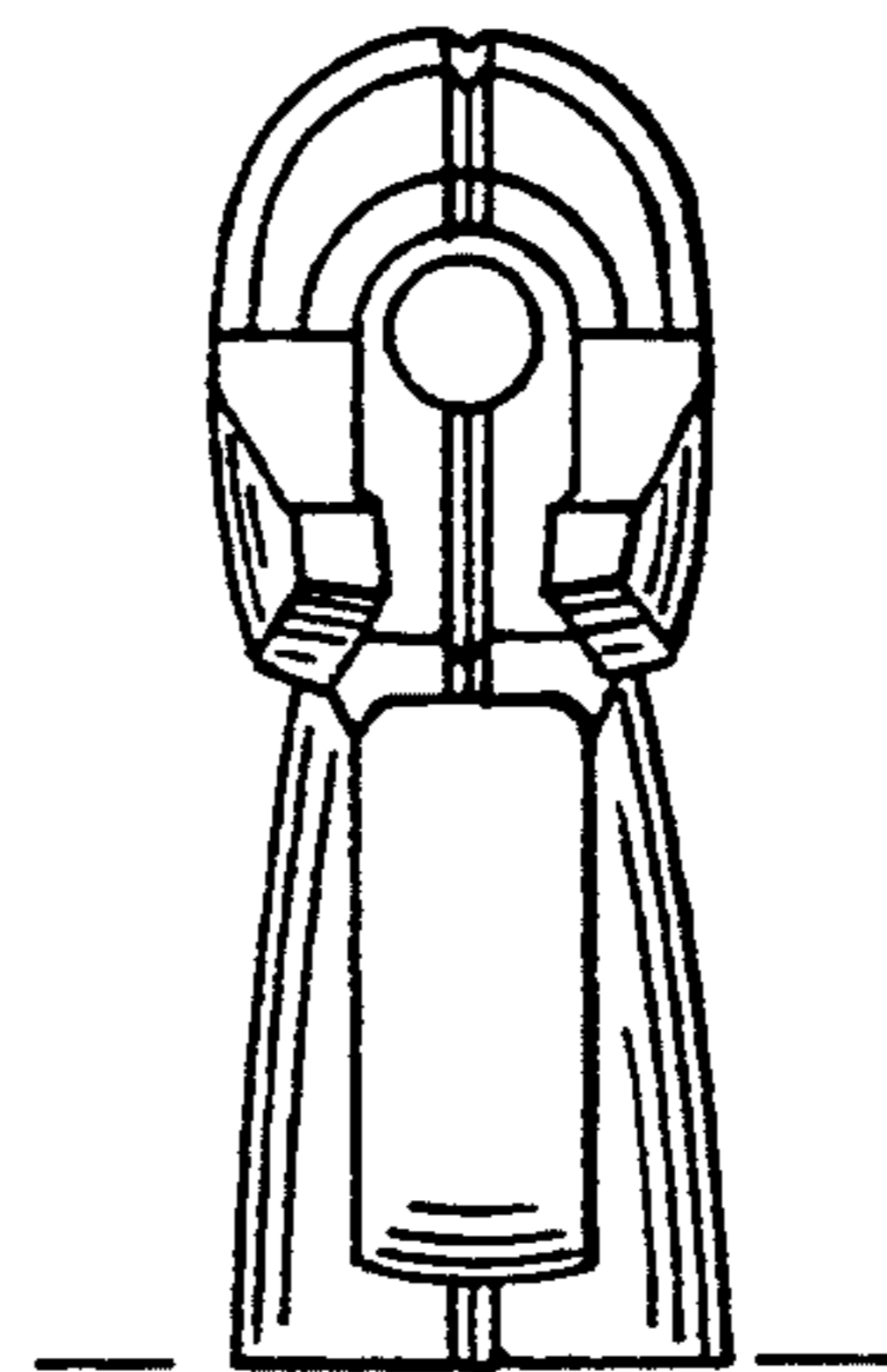


FIG. 10

