



US00D354891S

United States Patent [19]

[11] Patent Number: **Des. 354,891**

McJunkin et al.

[45] Date of Patent: **** Jan. 31, 1995**

[54] HEDGE TRIMMER

[75] Inventors: **Mark A. McJunkin**, Westminster;
Daniel A. Chunn, Greenville, both of
S.C.; **James B. Watson**, Conyers, Ga.

[73] Assignee: **Ryobi Motor Products**, Easley, S.C.

[**] Term: **14 Years**

[21] Appl. No.: **7,335**

[22] Filed: **Apr. 20, 1993**

[52] U.S. Cl. **D8/8**

[58] Field of Search **D8/8; 30/228, 383, 382;
D15/16**

4,442,659	4/1984	Enbusk .	
4,583,291	4/1986	Pilatowicz .	
4,787,924	11/1988	Nagashima et al. .	
4,794,696	1/1989	Apfel et al. .	
4,934,052	6/1990	Nitschmann et al. .	
5,029,393	7/1991	Nagashima et al. .	
5,050,303	9/1991	Sinclair et al. .	
5,067,243	11/1991	O'Neel .	
5,150,523	9/1992	McCurry	30/228

Primary Examiner—Wallace R. Burke
Assistant Examiner—H. Baynham
Attorney, Agent, or Firm—Brooks & Kushman

[57] CLAIM

The ornamental design of a hedge trimmer, as shown and described in the drawings.

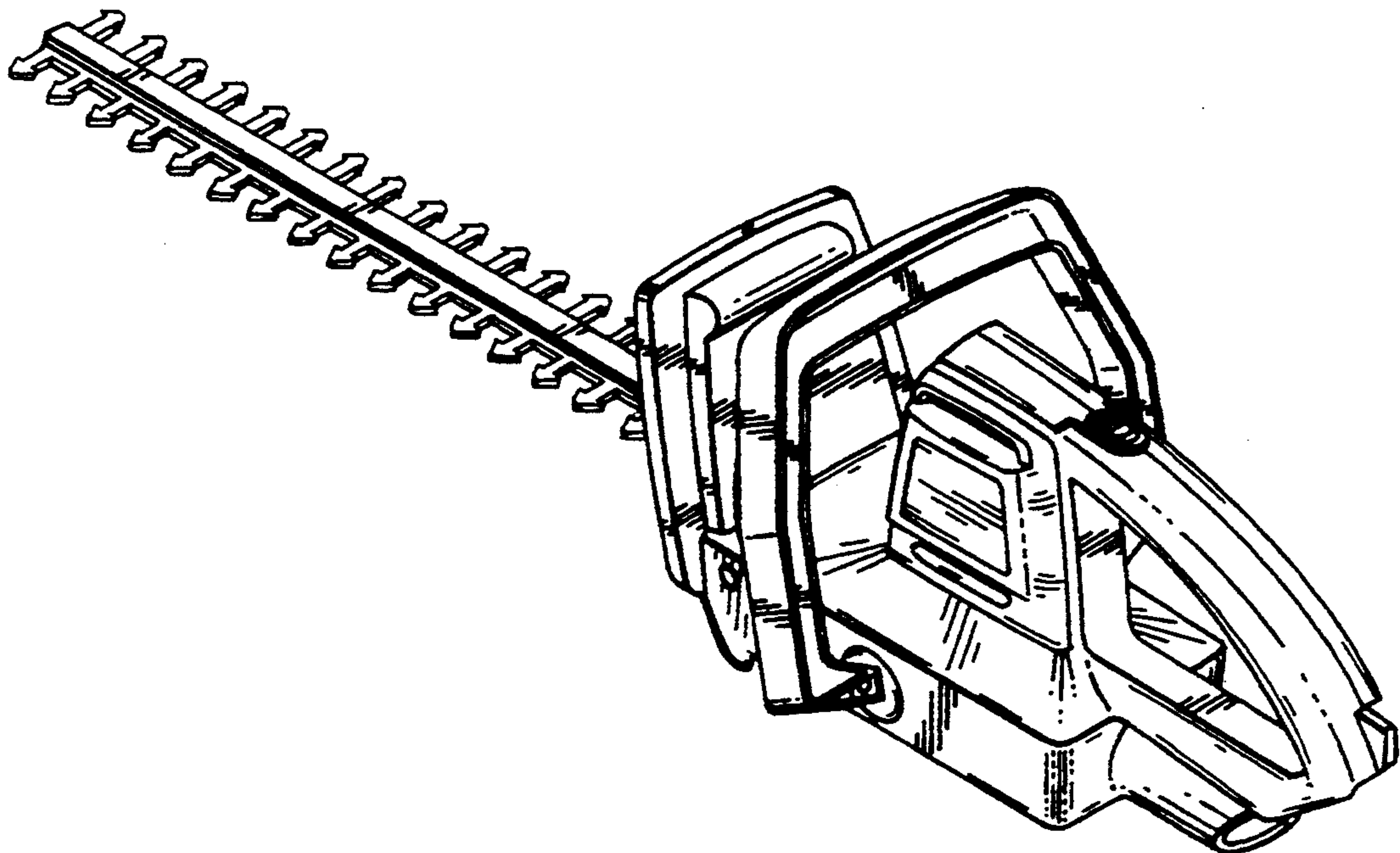
DESCRIPTION

FIG. 1 is a left rear perspective view of a hedge trimmer showing our new design;
FIG. 2 is a front elevational view thereof;
FIG. 3 is a rear side elevational view;
FIG. 4 is a left side elevational view;
FIG. 5 is a right side elevational view;
FIG. 6 is a top plan view; and,
FIG. 7 is a bottom plan view.
The blade is shown broken away in FIGS. 6 and 7 for ease of illustration.

[56] References Cited

U.S. PATENT DOCUMENTS

D. 208,083	7/1967	Roselle .	
D. 285,894	9/1986	Kawakami et al.	D8/8
D. 305,198	12/1989	White et al. .	
D. 311,121	10/1990	Pilatowicz et al.	D8/8
D. 313,538	1/1991	Fushiya et al.	D8/8
D. 323,771	2/1992	Akup et al.	D8/8
3,711,946	1/1973	Troutman .	
3,728,793	4/1973	Makinson et al. .	
3,757,194	9/1973	Weber et al. .	
3,768,163	10/1973	Weber et al. .	
3,981,078	9/1976	Alberti .	



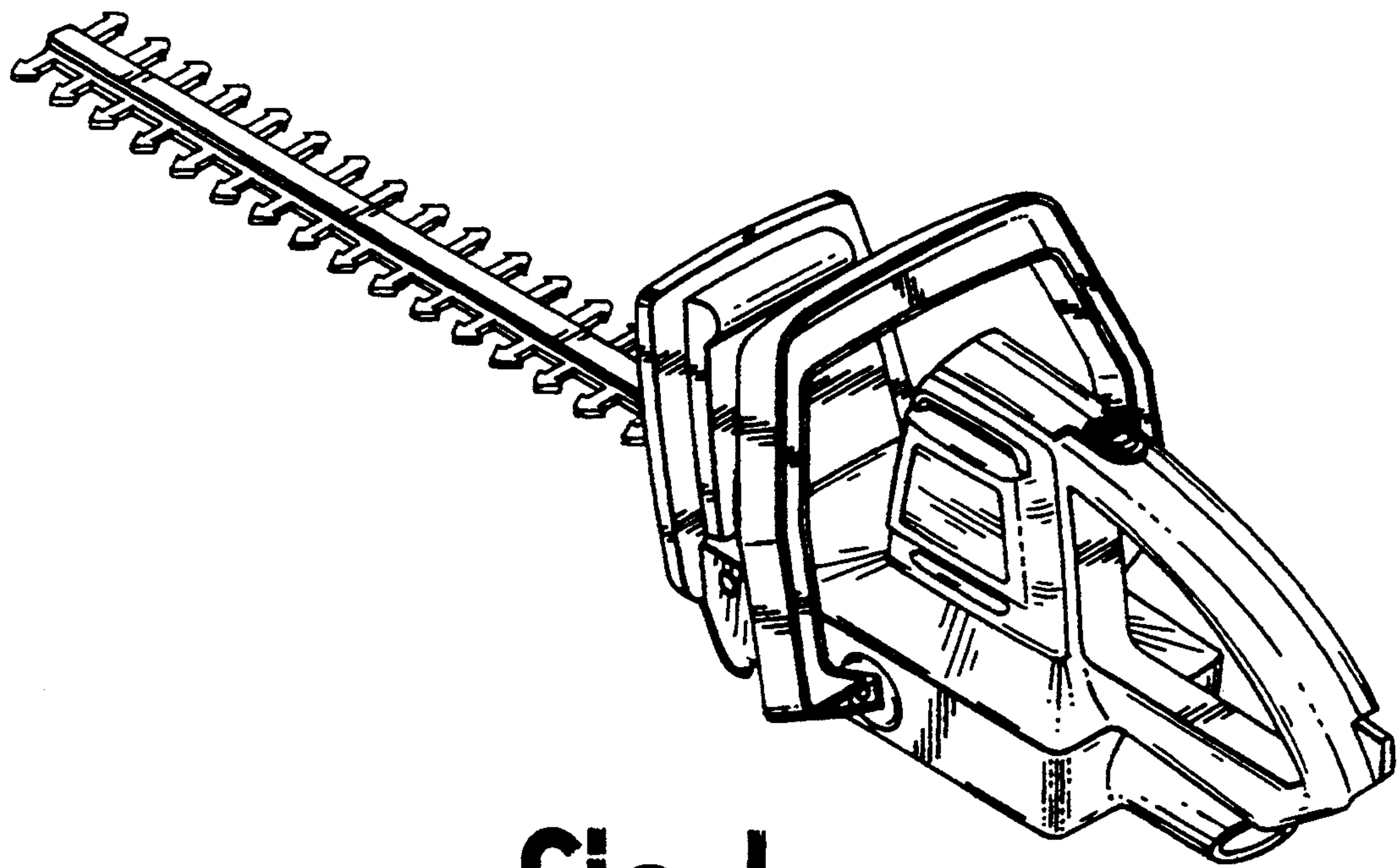


fig-1

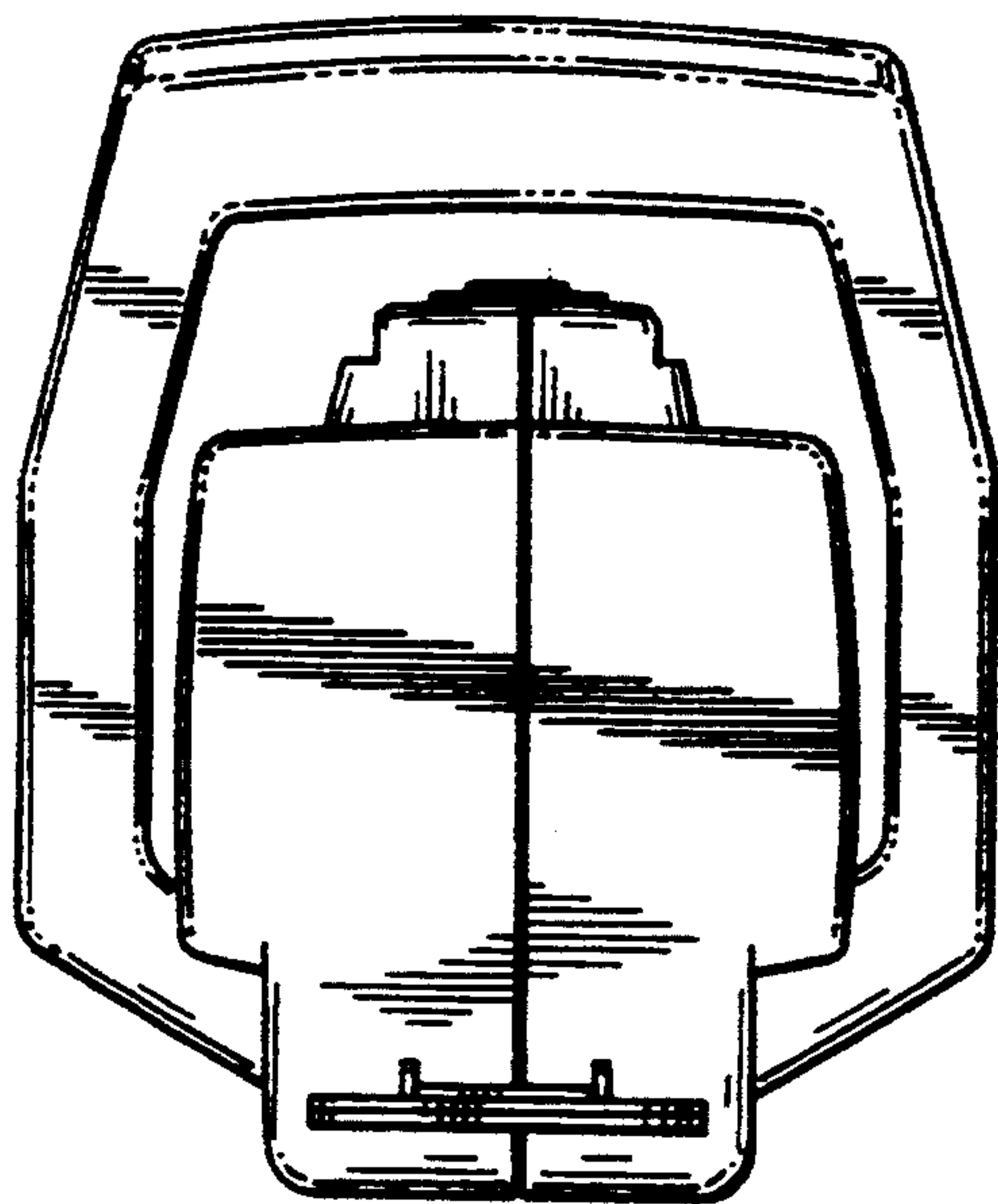


fig-2

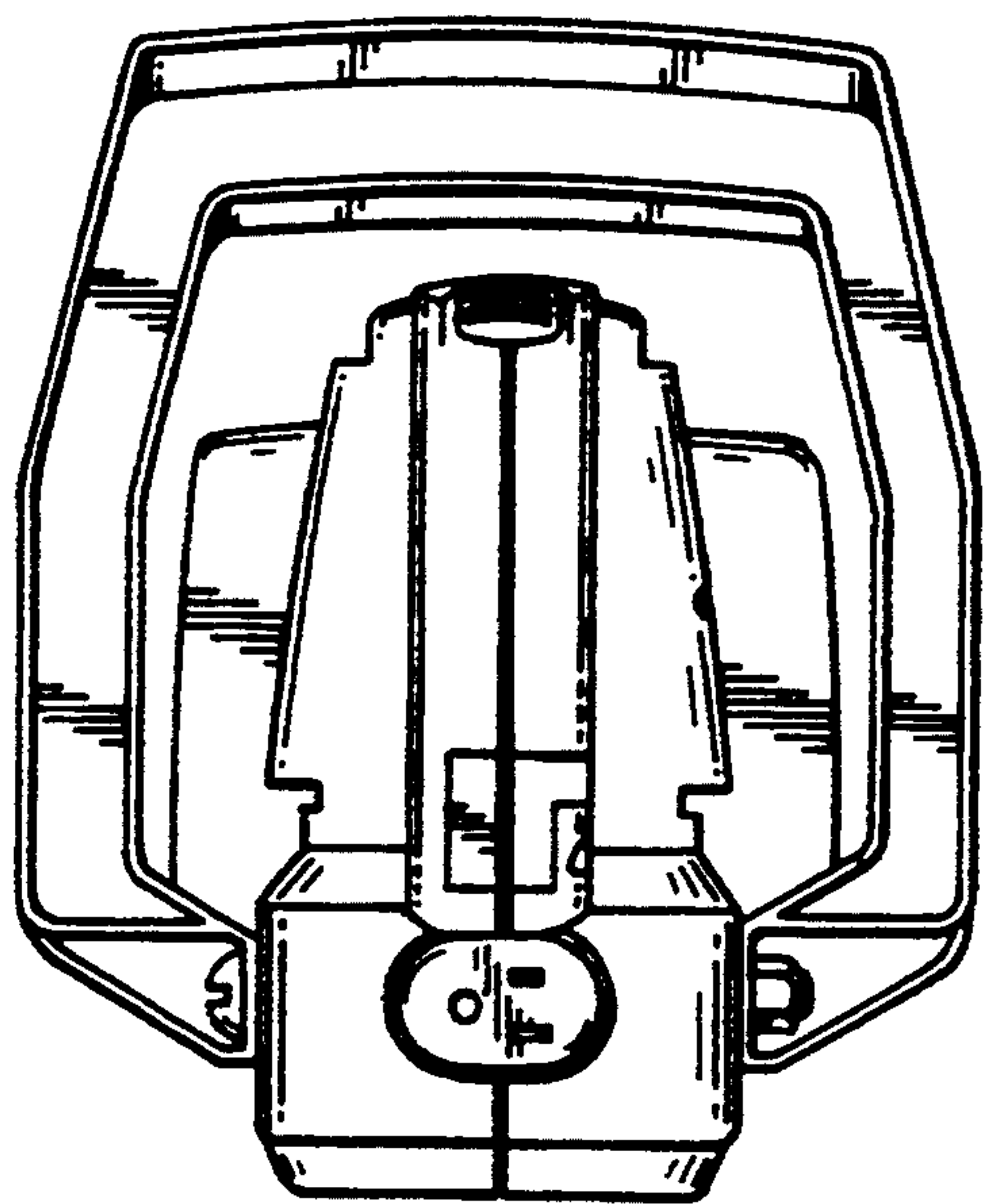


fig-3

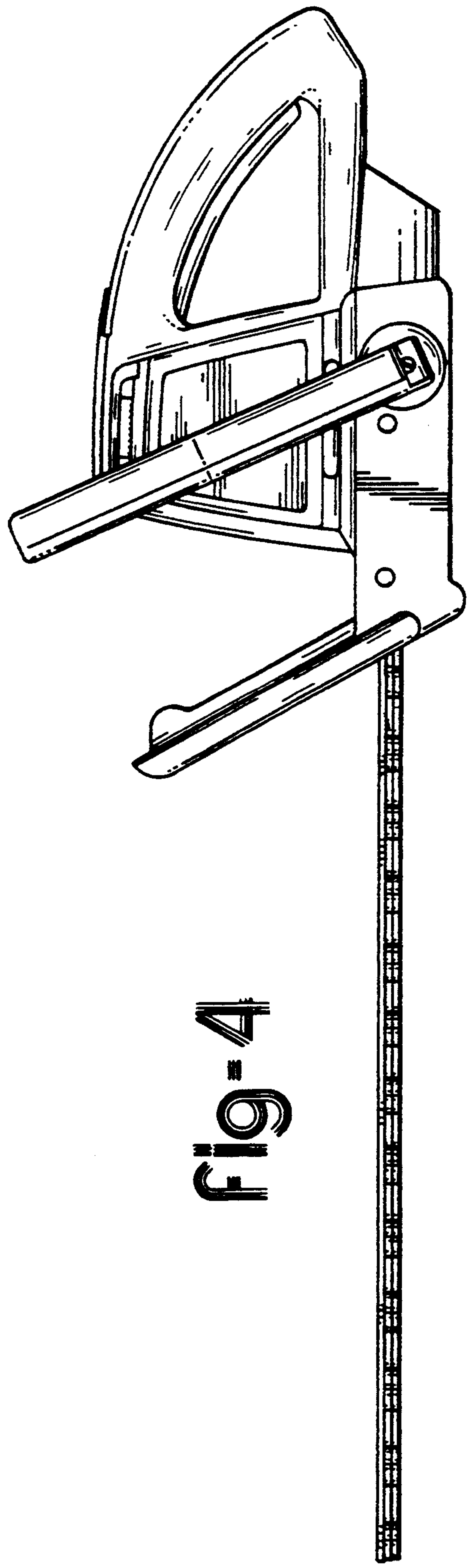


FIG-4

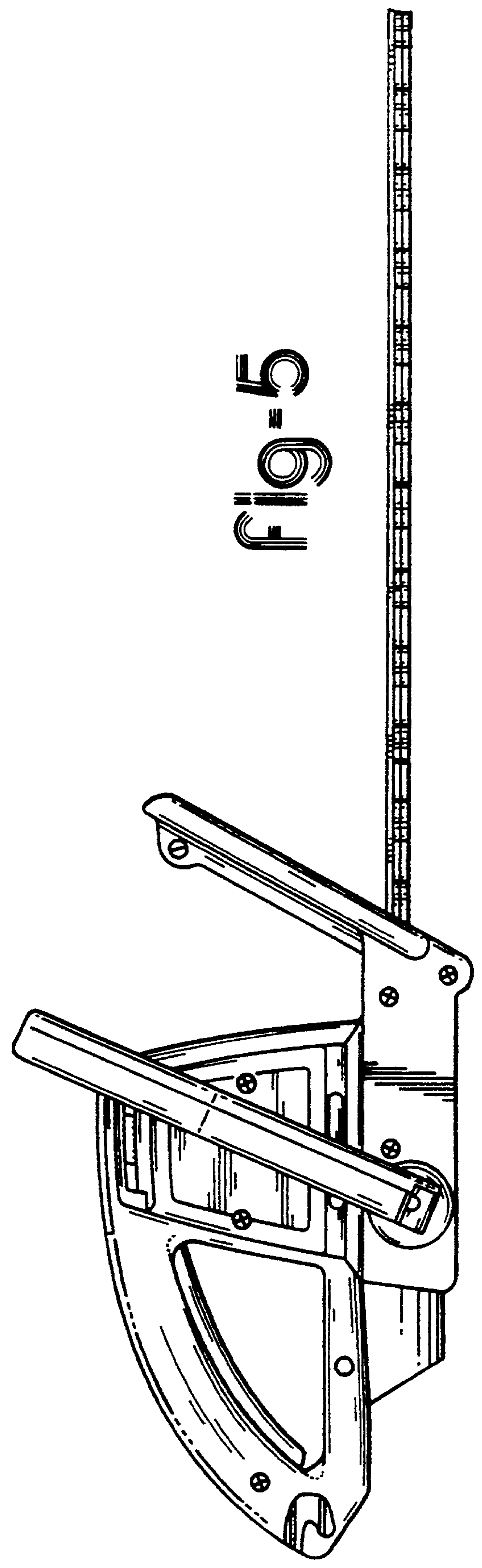


FIG-5

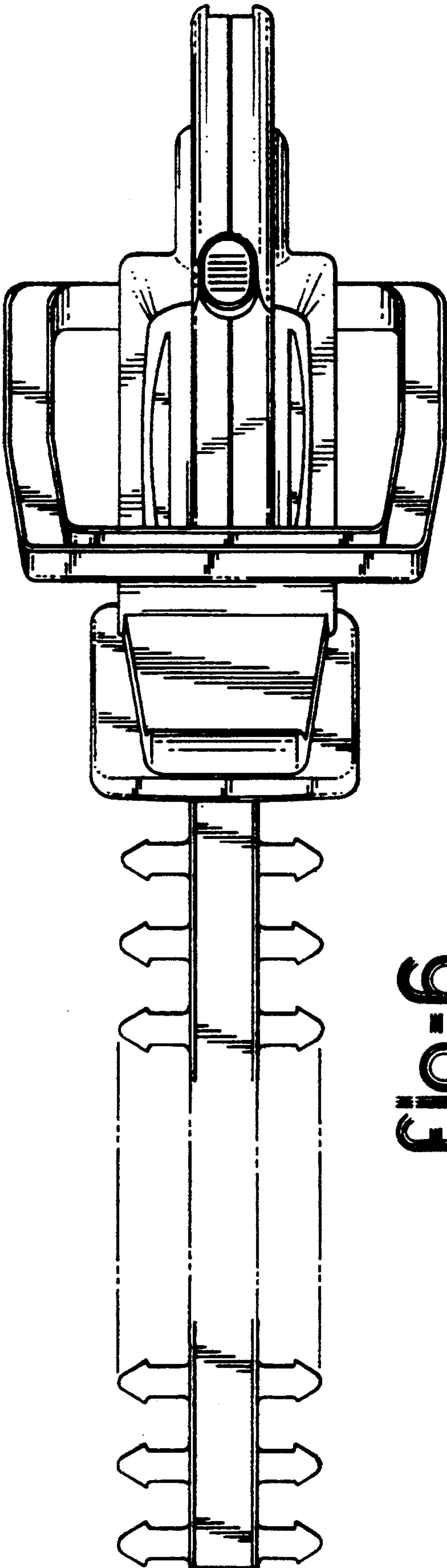


Fig-6

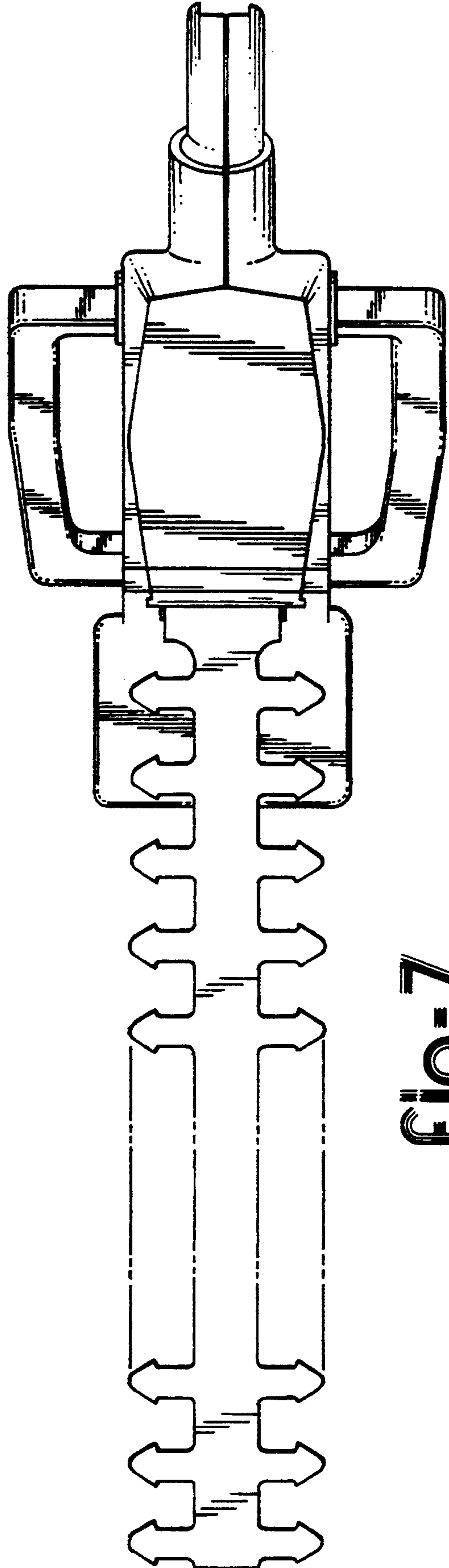


Fig-7