



US00D354890S

United States Patent [19]

[11] Patent Number: **Des. 354,890**

Concari et al.

[45] Date of Patent: **** Jan. 31, 1995**

[54] **5" SCISSORS**

[75] Inventors: **Gabriel E. Concari, Madison; Douglas J. Birkholz, Deforest; Charles S. Ramsey, Wausau, all of Wis.**

[73] Assignee: **Fiskars Oy Ab, Finland**

[**] Term: **14 Years**

[21] Appl. No.: **11,478**

[22] Filed: **Aug. 5, 1993**

Related U.S. Application Data

[63] Continuation of Ser. No. 1,498, Jan. 7, 1993, Pat. No. 5,297,343.

[52] U.S. Cl. **D8/5**

[58] Field of Search **D8/5, 57-58; 30/261-262, 254**

[56] **References Cited**

U.S. PATENT DOCUMENTS

D. 250,165	11/1978	Davies	D8/5
D. 250,166	11/1978	Davies	D8/5
D. 254,952	5/1980	Hildebrandt et al.	D8/5
D. 284,063	6/1986	Linden	D8/5

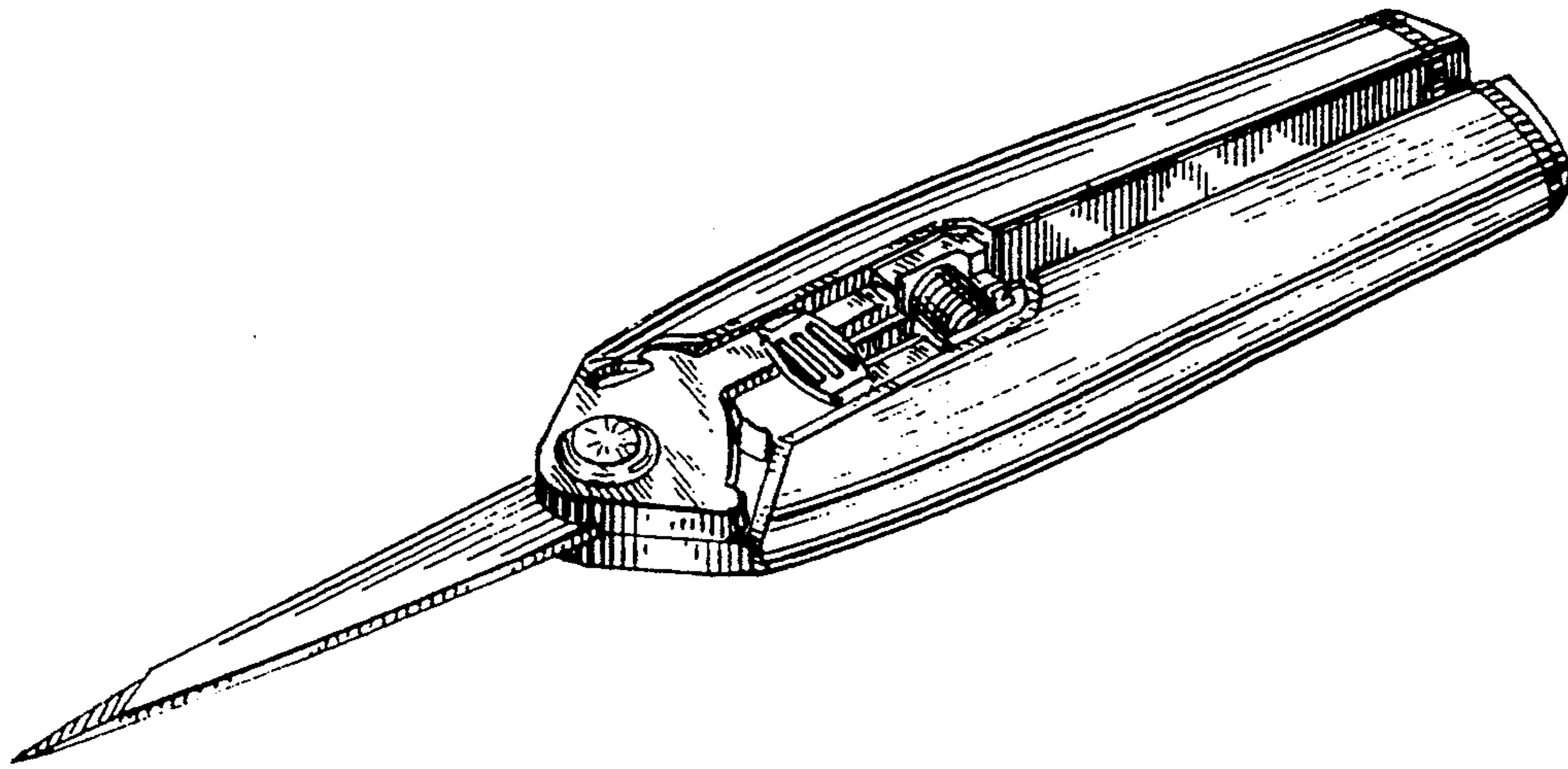
Primary Examiner—James M. Gandy
Assistant Examiner—H. Baynham
Attorney, Agent, or Firm—Foley & Lardner

[57] CLAIM

The ornamental design for a 5" scissors, as shown and described.

DESCRIPTION

FIG. 1 is a perspective view of the 5" scissors showing our new design;
FIG. 2 is a top view thereof;
FIG. 3 is a right side elevational view thereof;
FIG. 4 is a bottom view thereof;
FIG. 5 is a left side elevational view thereof;
FIG. 6 is a front elevational view thereof; and,
FIG. 7 is a rear elevational view thereof.



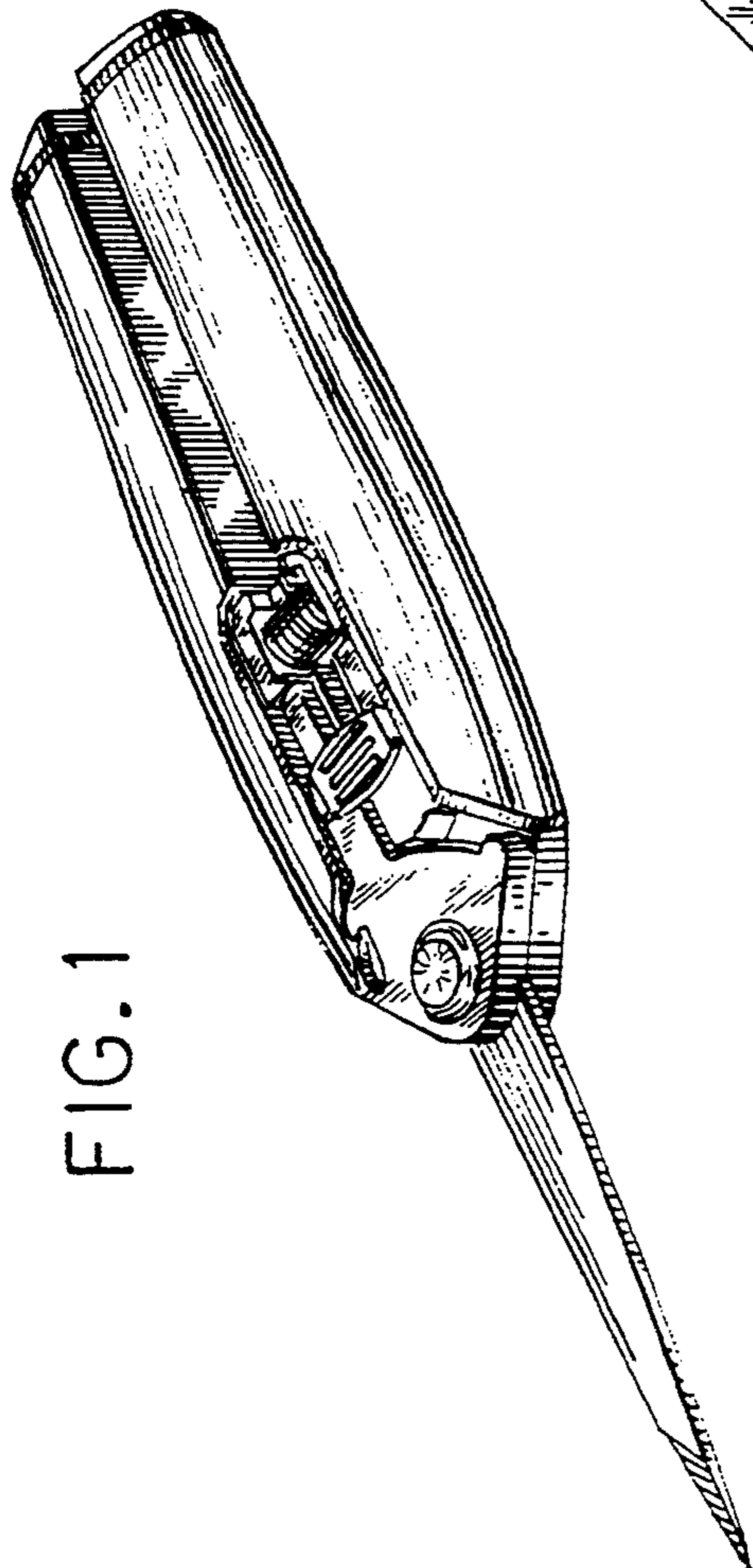


FIG. 1

FIG. 2

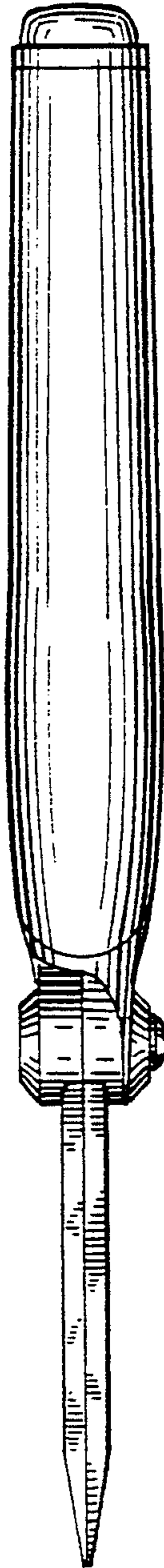
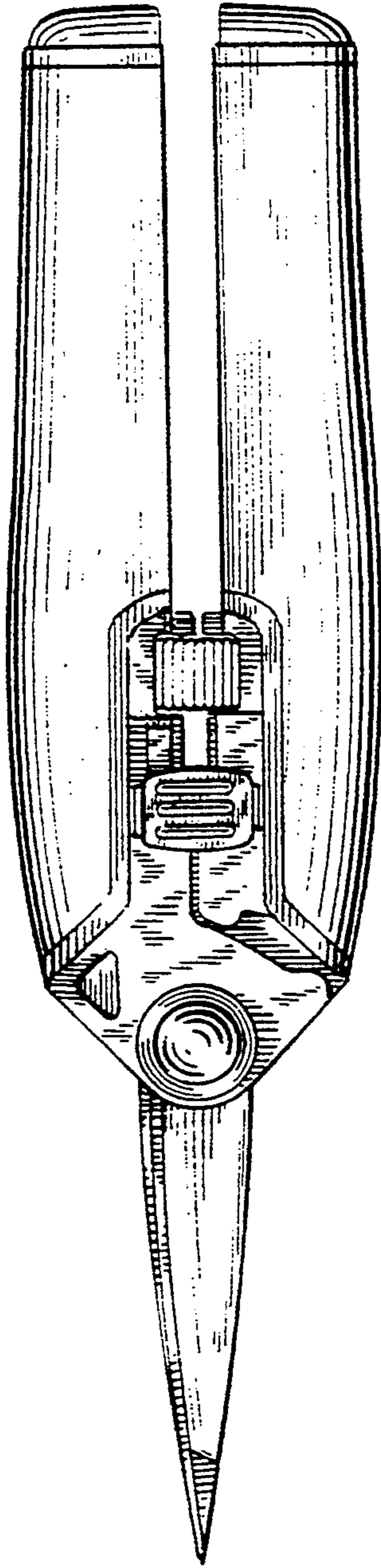


FIG. 3

FIG. 4

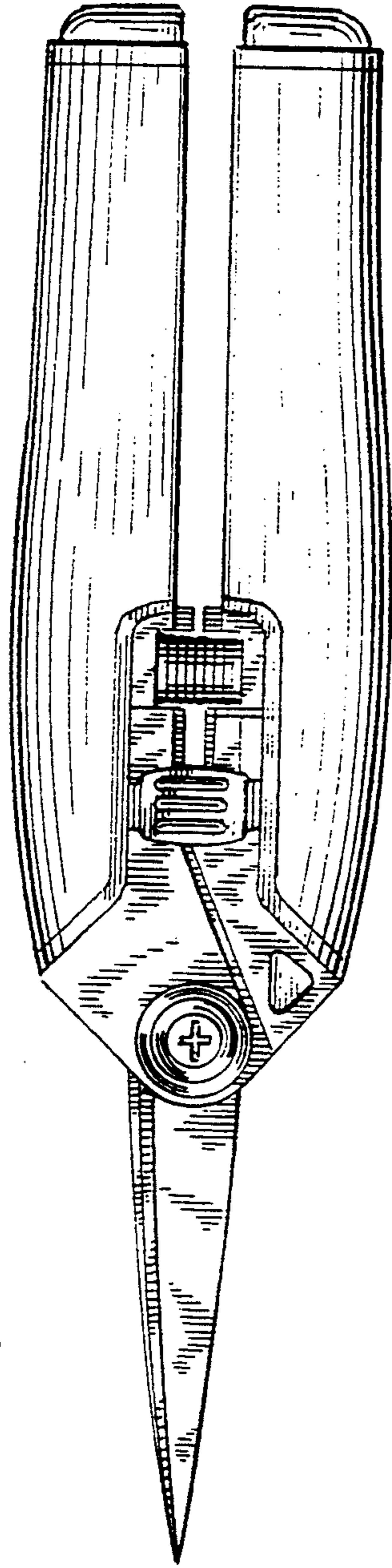


FIG. 5

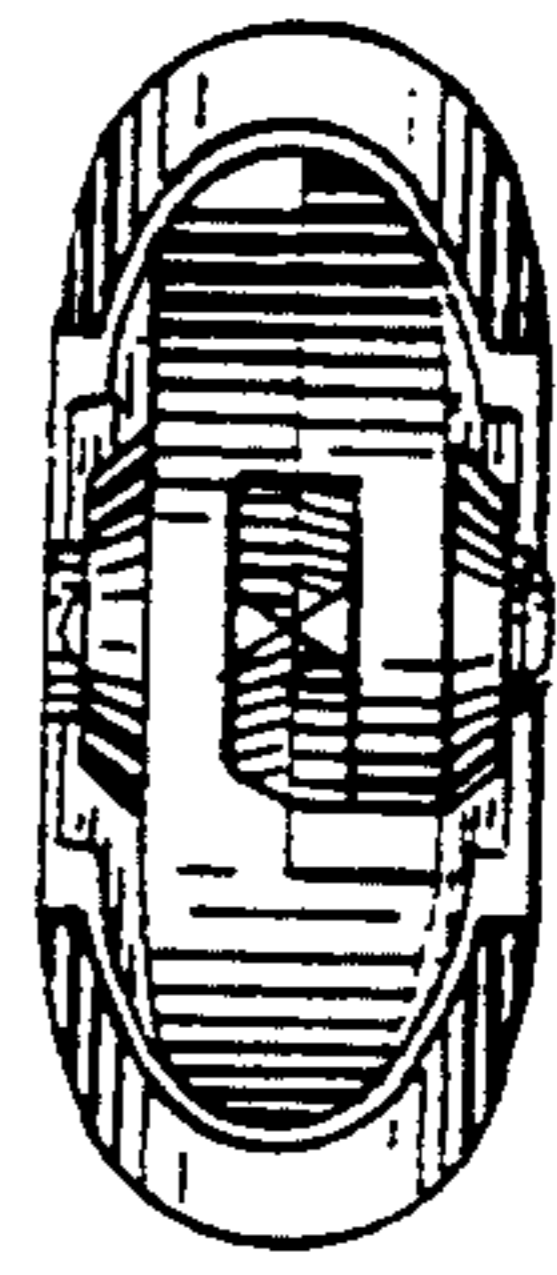
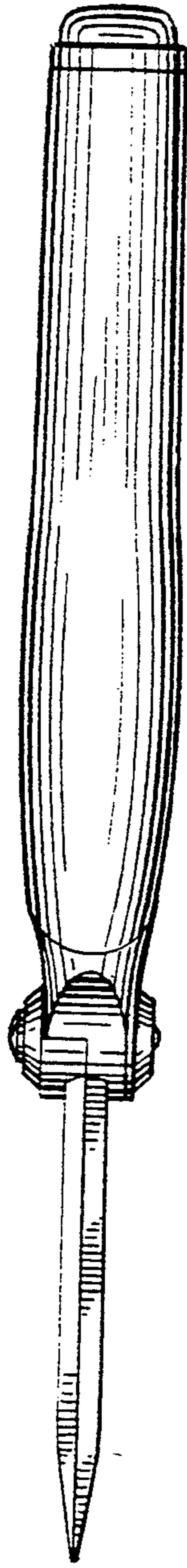


FIG. 6

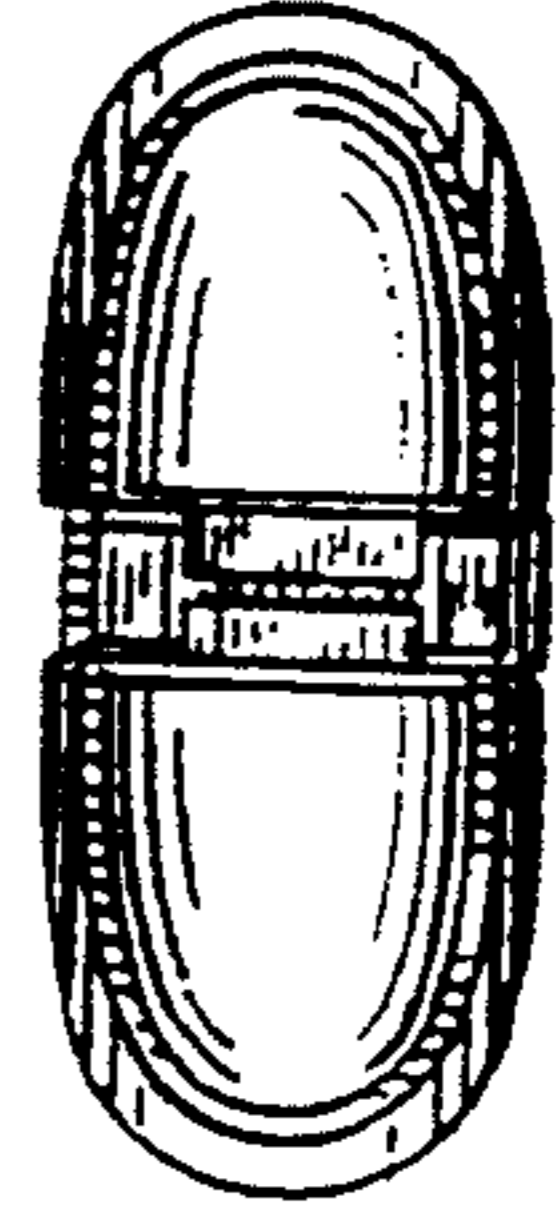


FIG. 7