



US00D354887S

United States Patent [19]

[11] Patent Number: **Des. 354,887**

Hawkins

[45] Date of Patent: **** Jan. 31, 1995**

[54] PIZZA CUTTER

D. 318,209 7/1991 Boxman D7/694
4,858,266 8/1989 Engstrom 15/111

[75] Inventor: **Howard C. Hawkins, Mahtomedi, Minn.**

Primary Examiner—Terry A. Wallace
Attorney, Agent, or Firm—Palmatier, Sjoquist & Helget

[73] Assignee: **Bicycle Tools Incorporated, St. Paul, Minn.**

[57] **CLAIM**

[**] Term: **14 Years**

The ornamental design for a pizza cutter, as shown and described.

[21] Appl. No.: **16,565**

DESCRIPTION

[22] Filed: **Dec. 17, 1993**

FIG. 1 is a perspective view of a pizza cutter showing my new design;

[52] U.S. Cl. **D7/694; D12/111**

FIG. 2 is a top plan view;

[58] Field of Search **D7/693, 694; D21/107, D21/111; 30/306-307, 319, 292**

FIG. 3 is a side elevational view;

FIG. 4 is a front elevational view;

FIG. 5 is a bottom plan view; and,

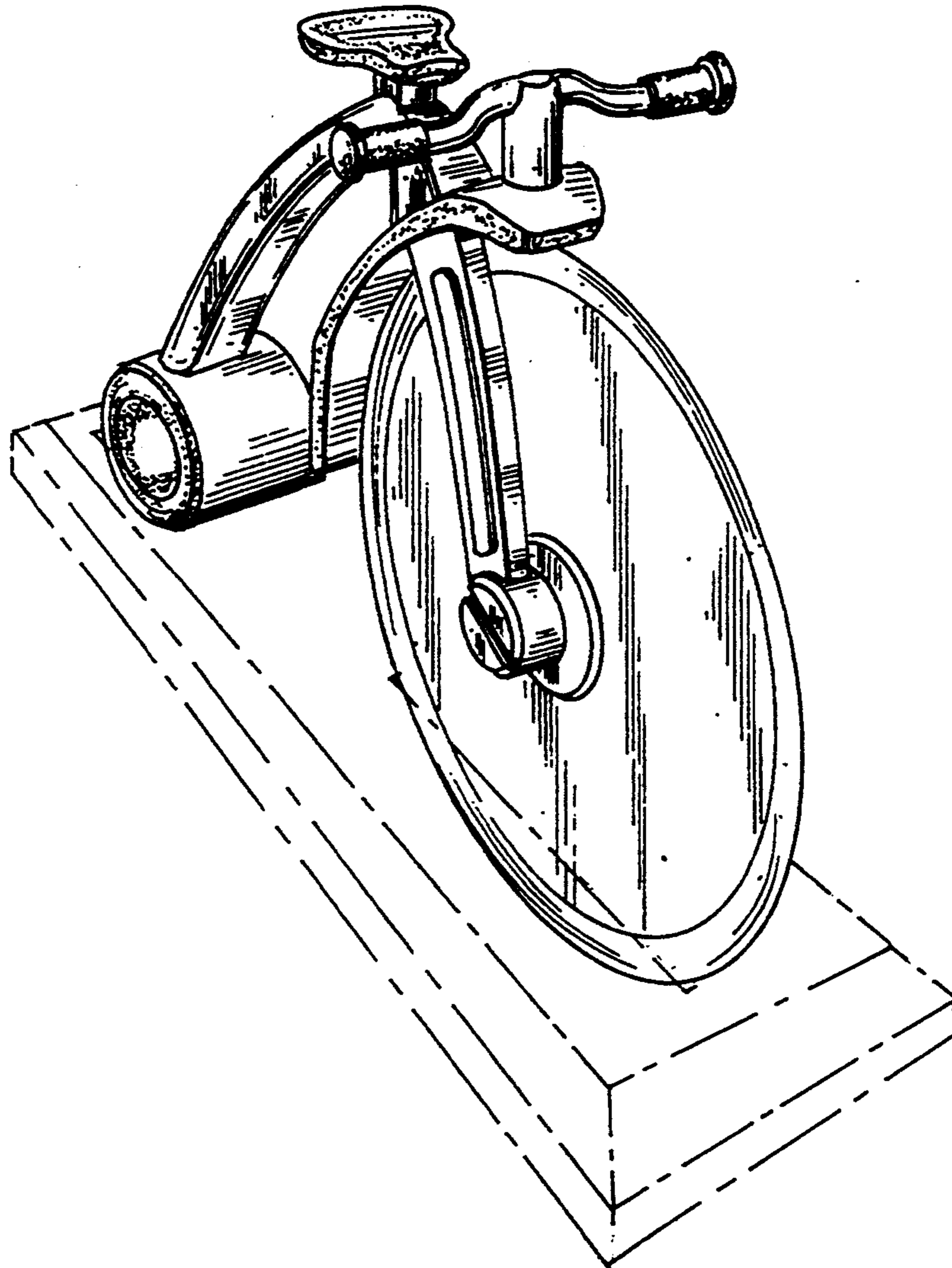
FIG. 6 is a rear elevational view.

[56] **References Cited**

U.S. PATENT DOCUMENTS

D. 223,170 3/1972 Camos D7/694
D. 299,121 12/1988 Oh D12/111

The supporting base is shown in broken lines in FIGS. 1 and 3 for illustrative purposes only and forming no part of the claimed design.



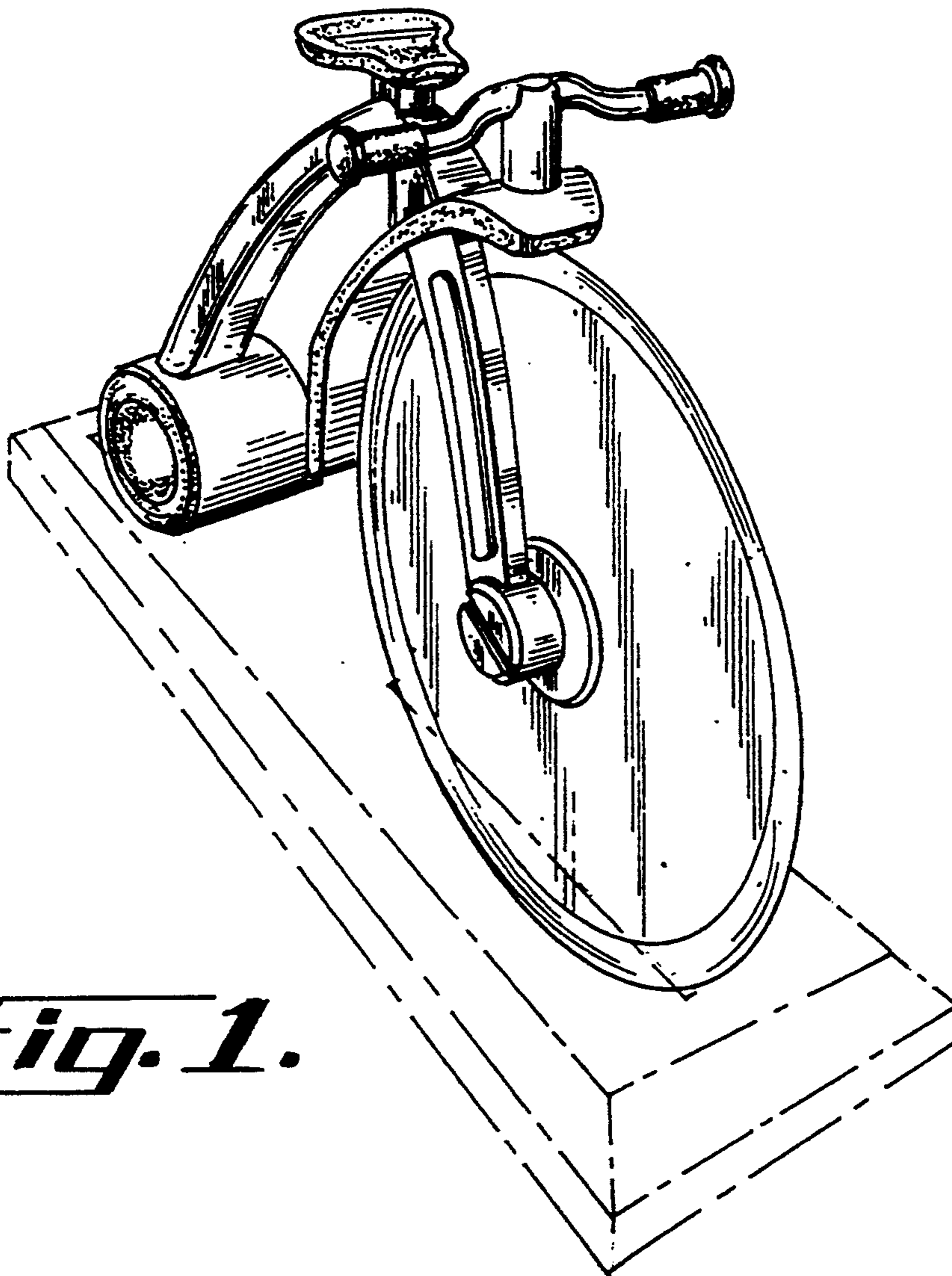


Fig. 1.

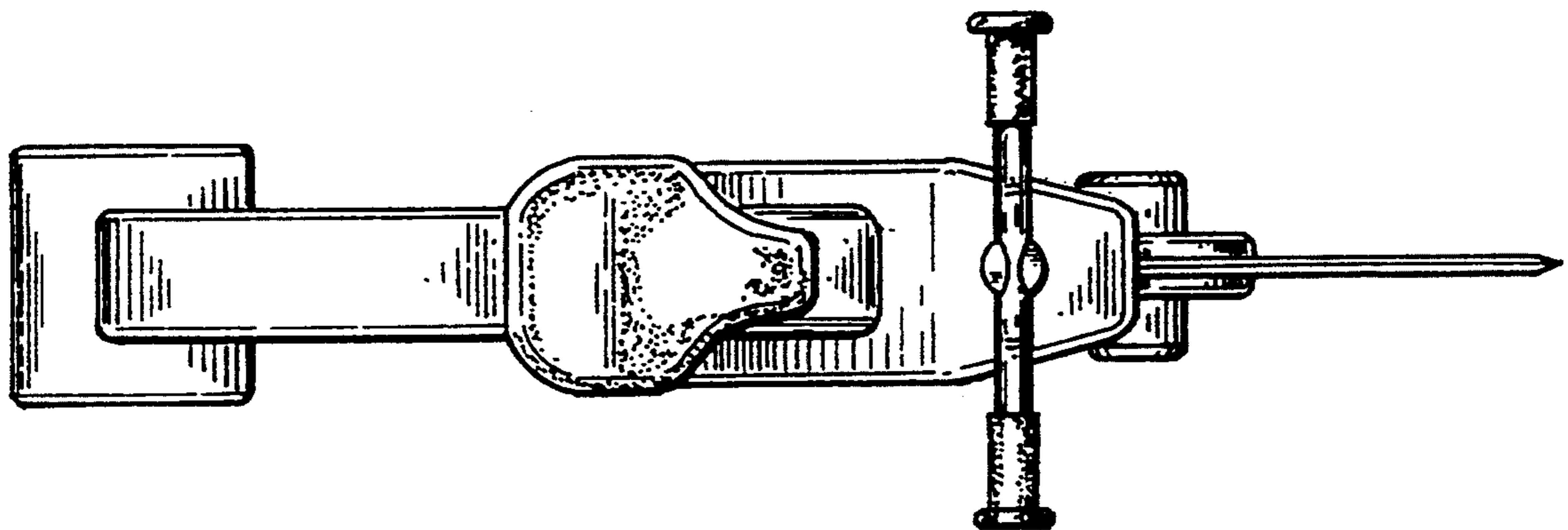


Fig. 2.

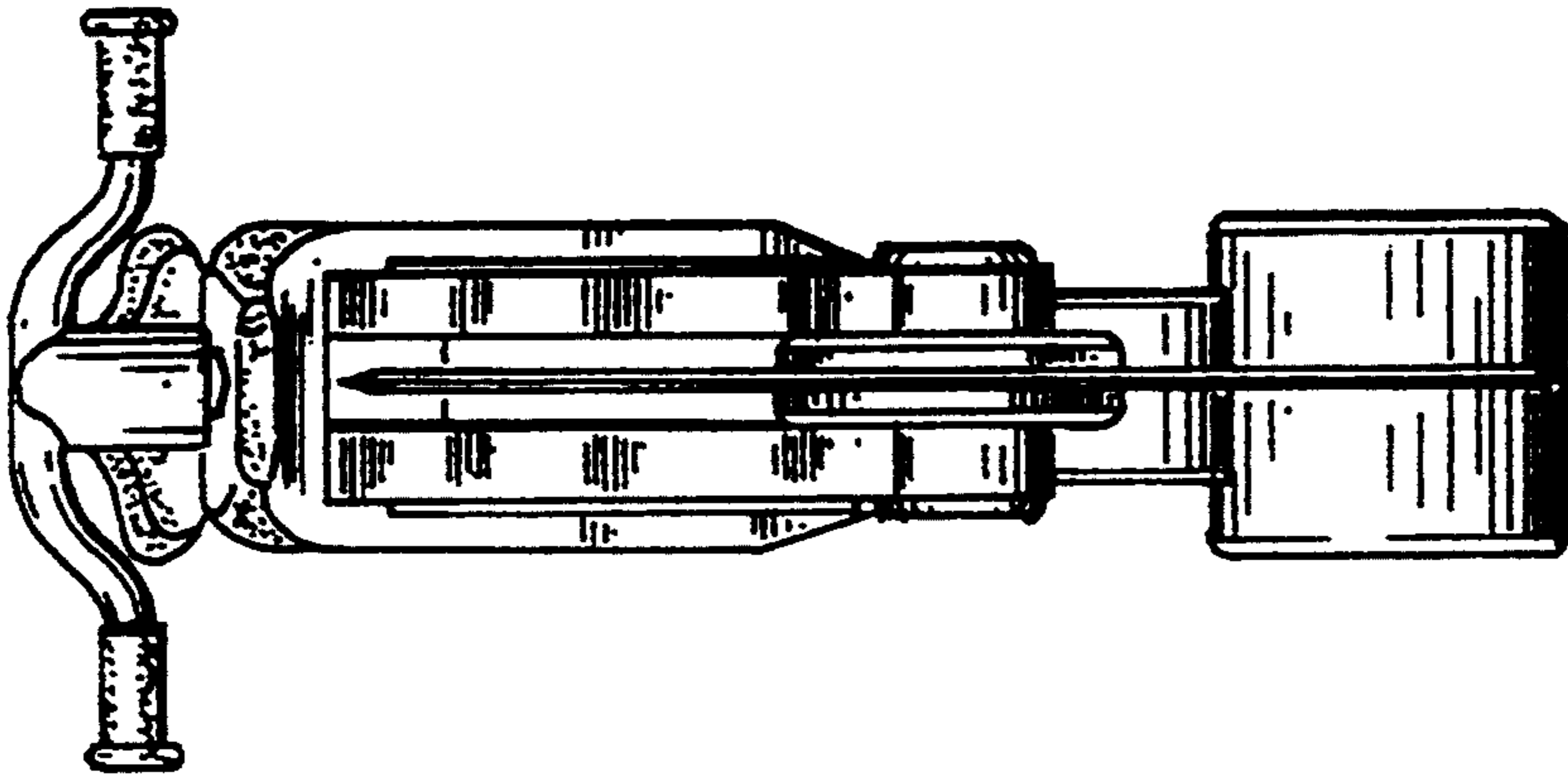


Fig. 4

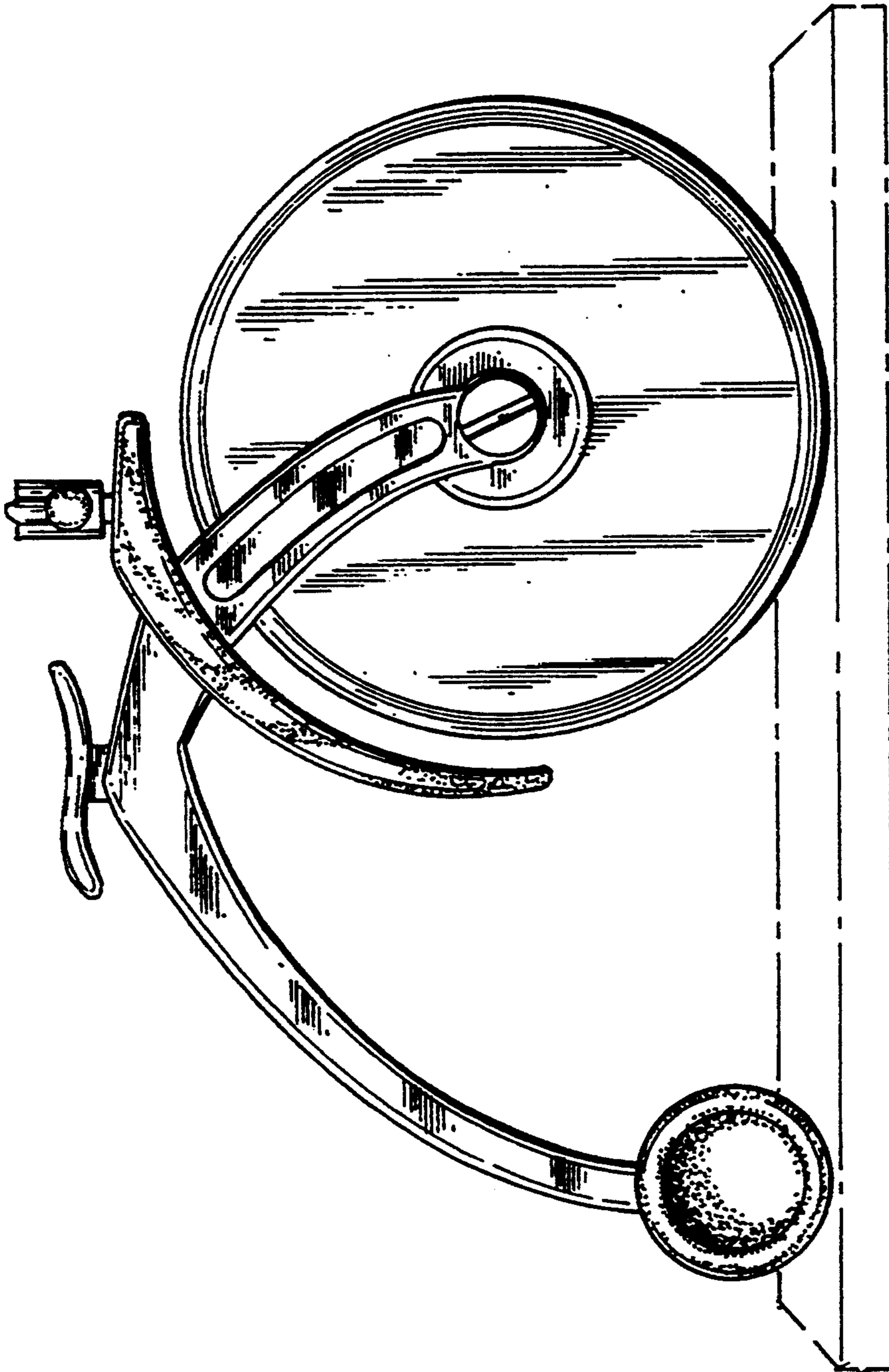


Fig. 3

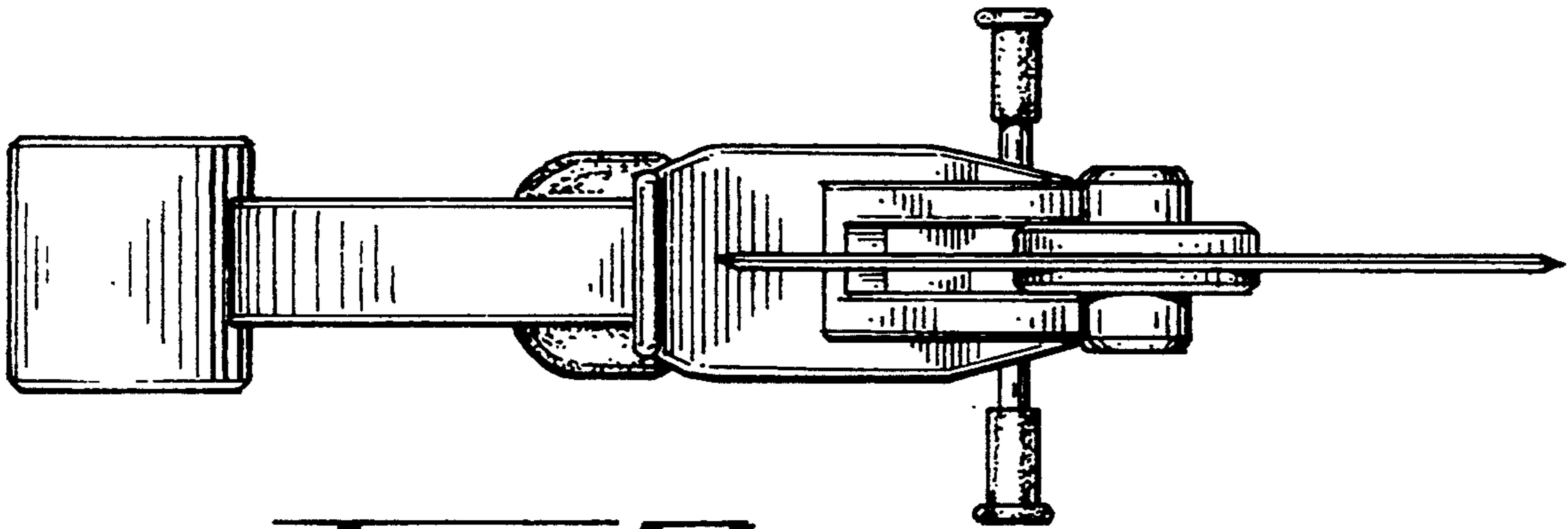


Fig. 5.

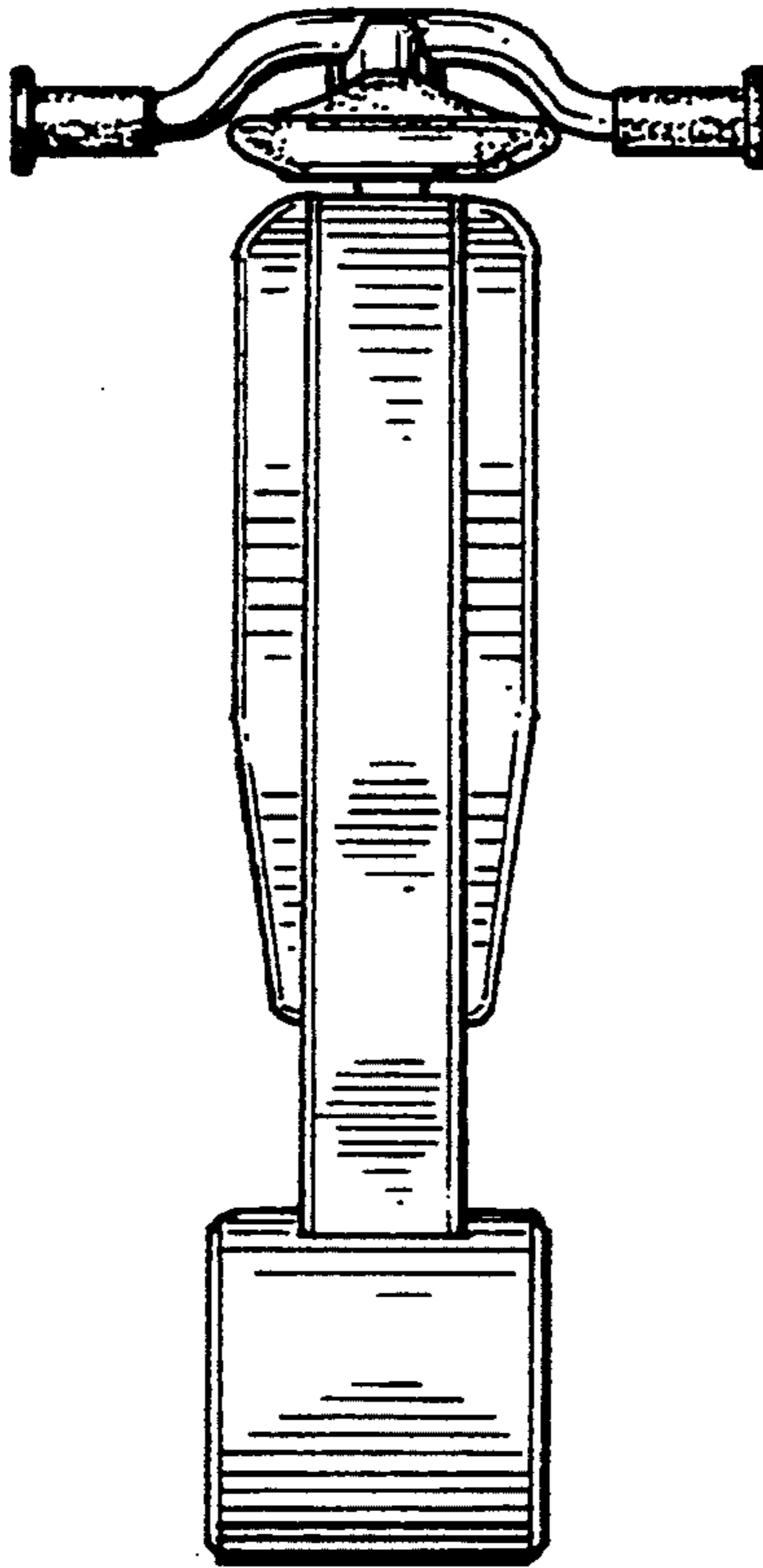


Fig. 6.