



US00D354875S

United States Patent [19]

[11] Patent Number: **Des. 354,875**

Scott, Sr.

[45] Date of Patent: **** Jan. 31, 1995**

[54] **SPICE RACK**

3,606,023 9/1971 Edmunds .
 4,064,992 12/1977 Ralston et al. .
 4,285,449 8/1981 Campos .
 4,714,305 12/1987 Service .
 5,101,988 4/1992 Meyer .

[76] Inventor: **Raymond Scott, Sr.**, 3866 North 38 St., Milwaukee, Wis. 53216

[**] Term: **14 Years**

Primary Examiner—Brian N. Vinson
Attorney, Agent, or Firm—Richard C. Litman

[21] Appl. No.: **10,568**

[22] Filed: **Jul. 12, 1993**

[52] U.S. Cl. **D6/569**

[57] **CLAIM**

[58] Field of Search **D6/553, 567, 569, 570-574;**
211/71, 86-88, 90, 126, 134; 108/59, 60, 64;
D7/602, 701, 590

The ornamental design for a spice rack, as shown and described.

DESCRIPTION

[56] **References Cited**

FIG. 1 is a perspective view of a spice rack showing my new design;
 FIG. 2 is a front elevational view thereof;
 FIG. 3 is a right side elevational view thereof, the left side being a mirror image;
 FIG. 4 is a top view thereof;
 FIG. 5 is a rear elevational view thereof; and,
 FIG. 6 is a bottom plan view thereof.

U.S. PATENT DOCUMENTS

- D. 156,801 1/1950 Zeglen D6/569
- D. 239,901 5/1976 Goulder .
- D. 239,902 5/1976 Goulder .
- D. 243,298 2/1977 Taubman D6/571
- D. 323,766 2/1992 Robbins et al. D6/553 X
- 1,746,137 2/1930 Winter .

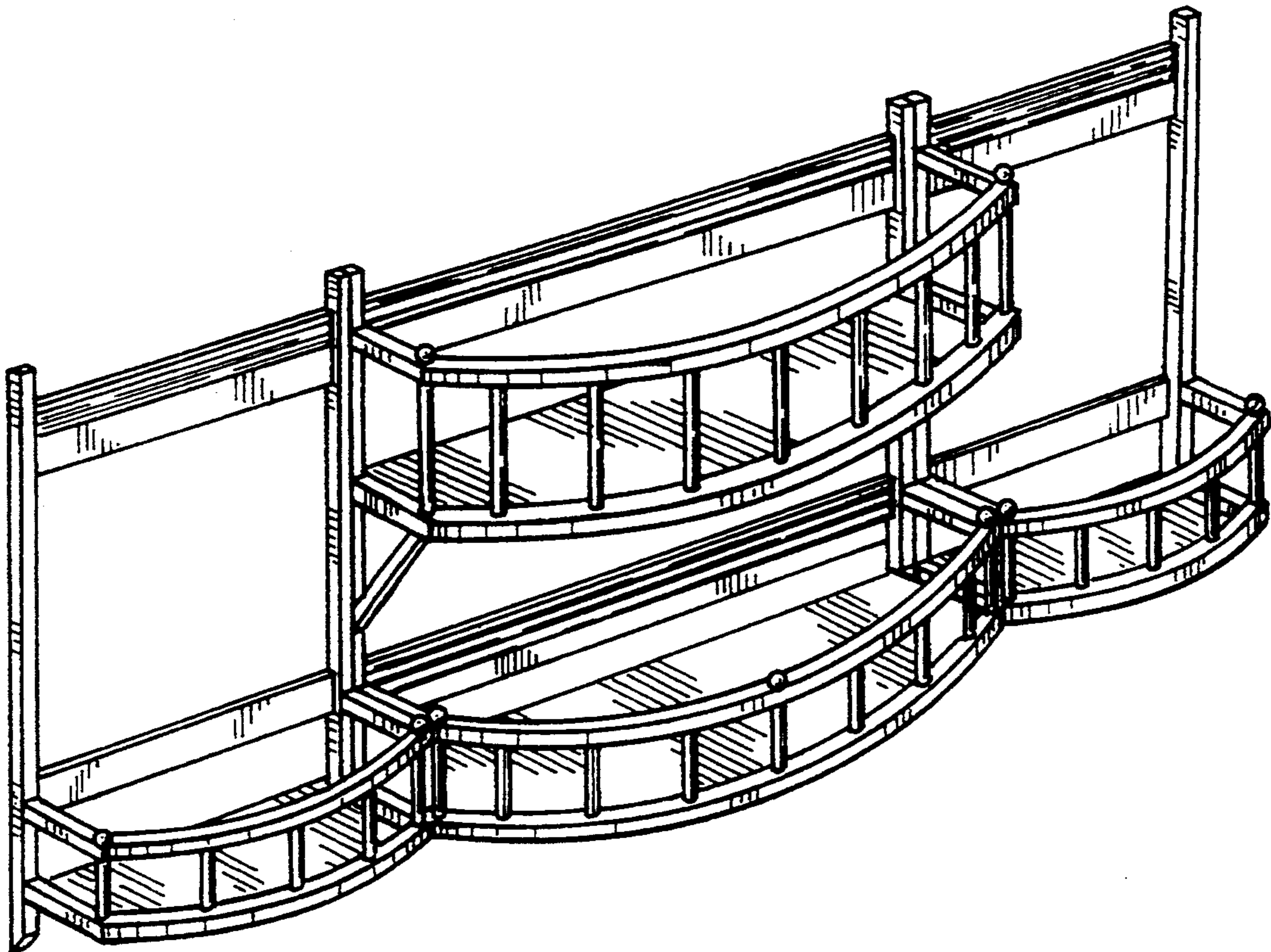


FIG. 1

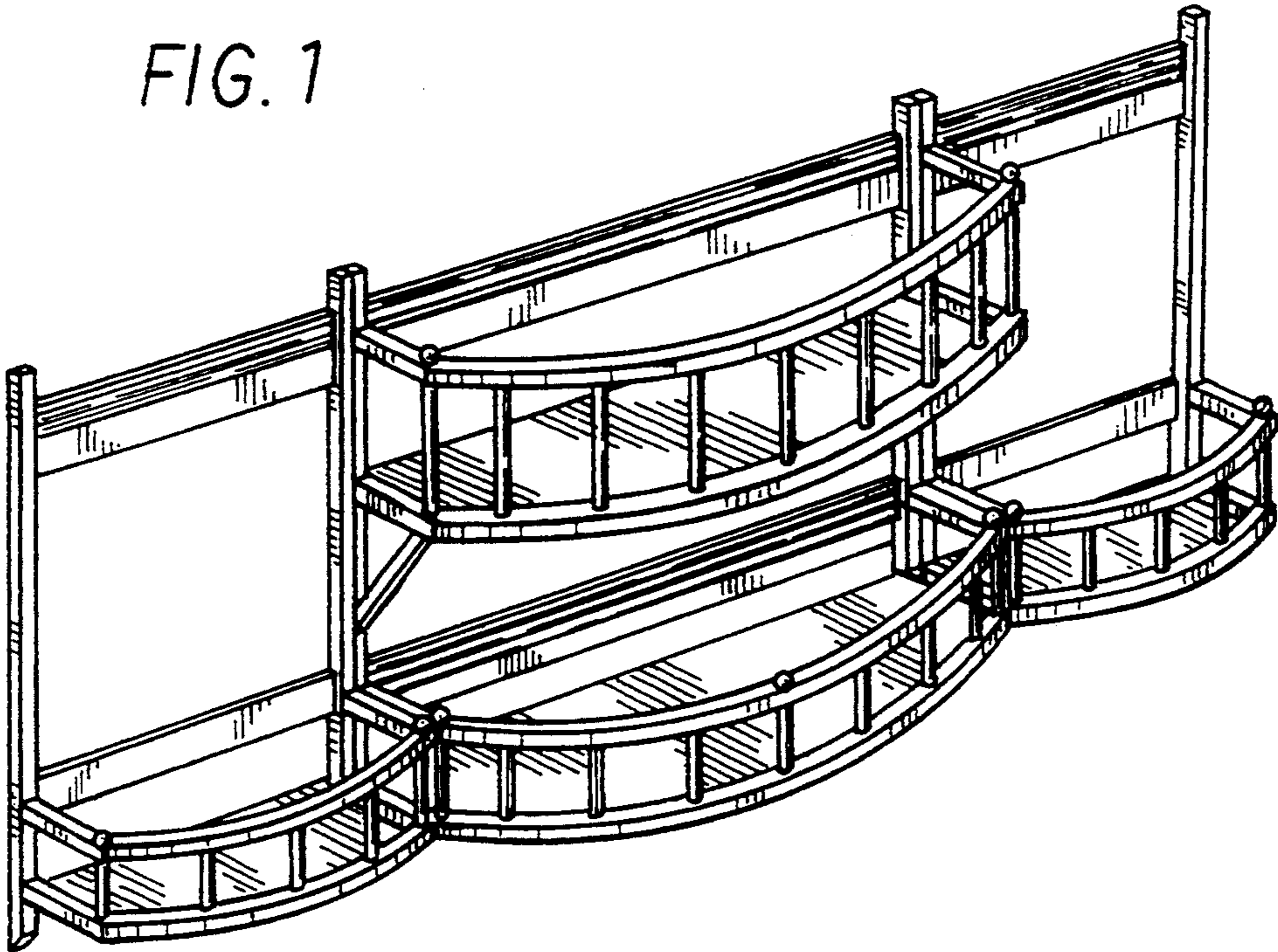


FIG. 2

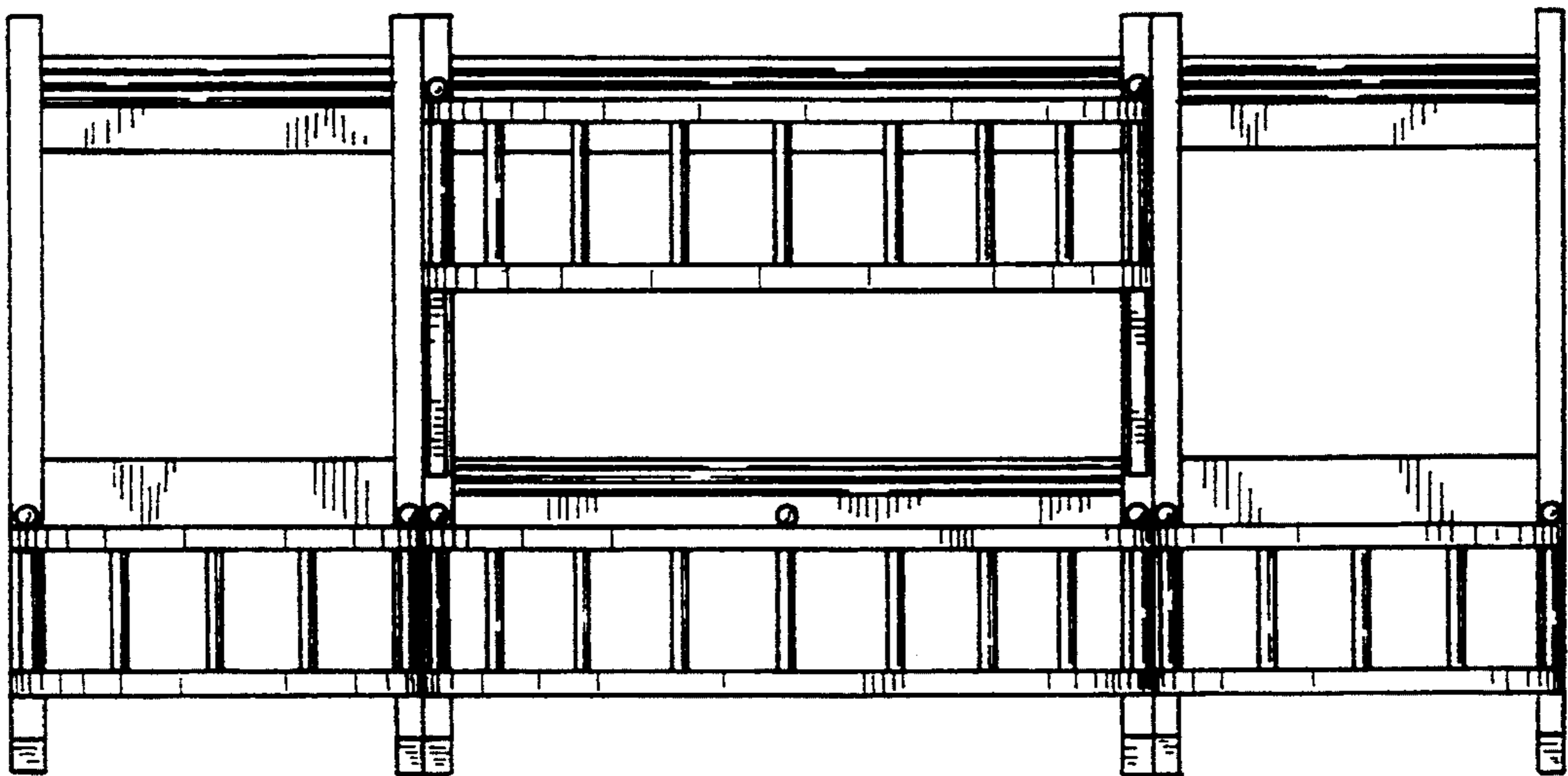


FIG. 3

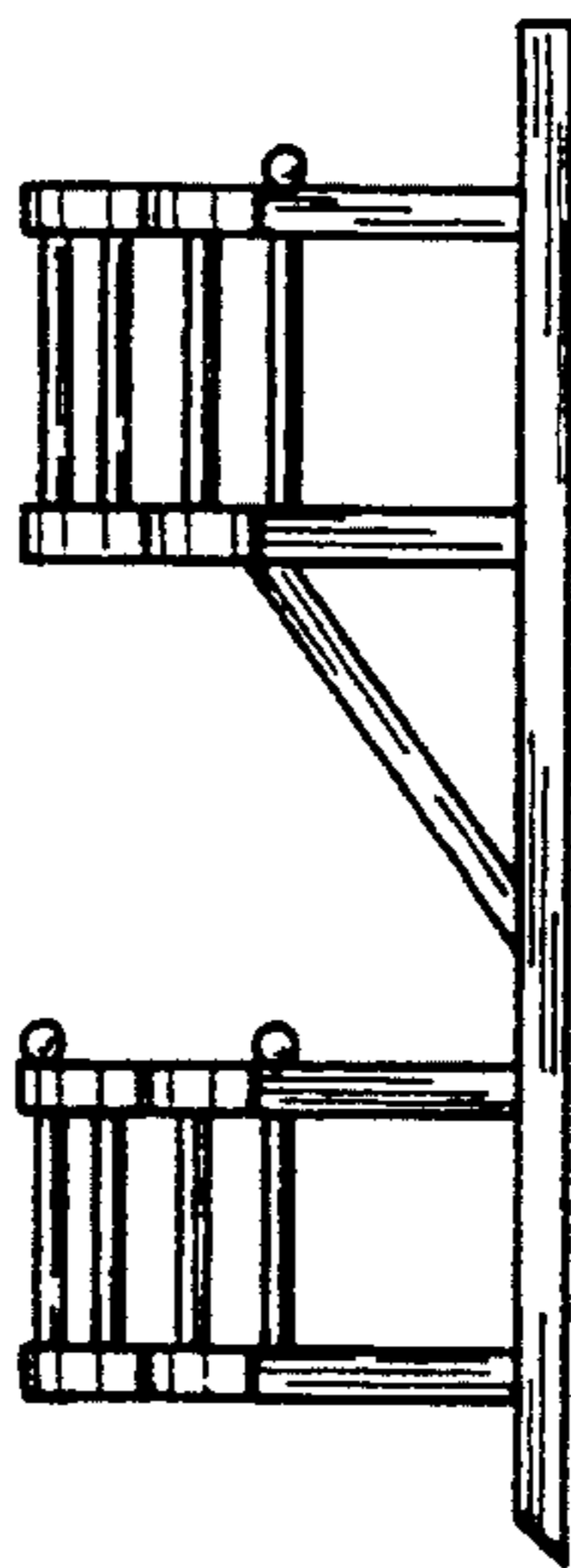


FIG. 4

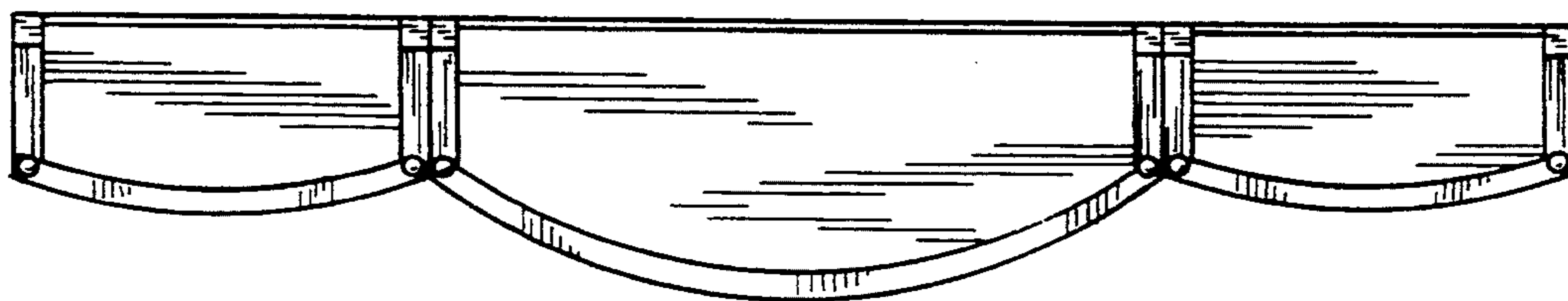
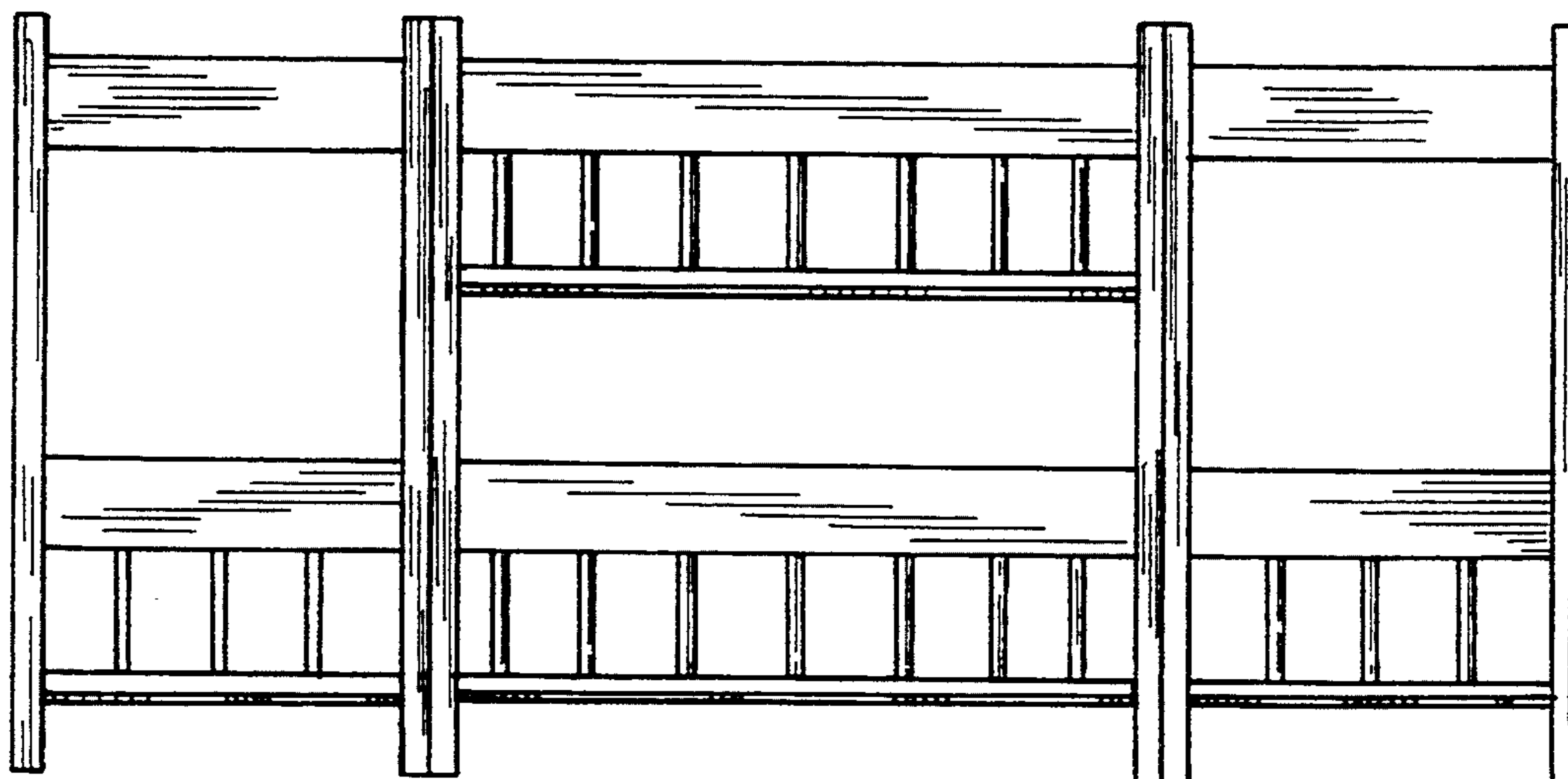


FIG. 5



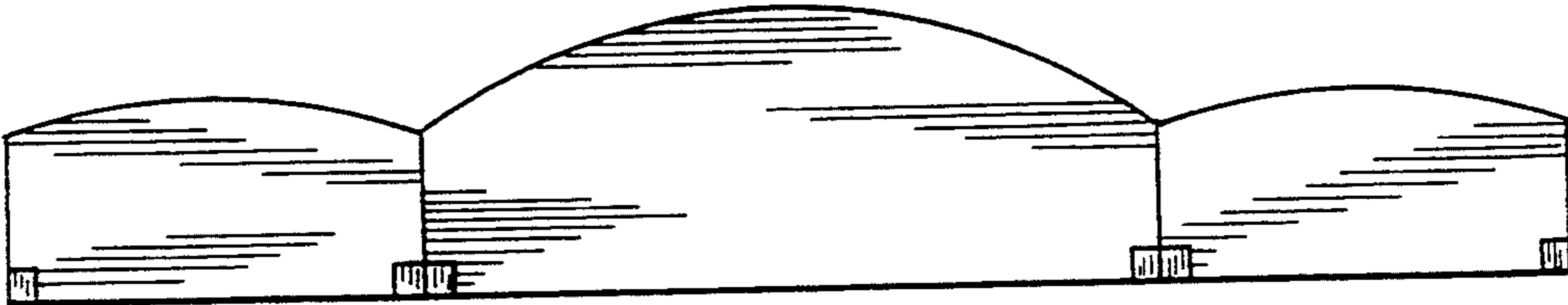


FIG. 6