



US00D354874S

United States Patent [19]

[11] Patent Number: **Des. 354,874**

Burch

[45] Date of Patent: **** Jan. 31, 1995**

[54] **HAIR ACCESSORY SUPPORT RACK**

[76] Inventor: **Geraldine B. Burch**, 1104 NW. 52nd Cir., Lawton, Okla. 73505

[**] Term: **14 Years**

[21] Appl. No.: **13,149**

[22] Filed: **Sep. 20, 1993**

[52] U.S. Cl. **D6/567**

[58] Field of Search **D6/552, 553, 567, 569, D6/572; D8/349, 354, 373; D28/73; 211/13, 59.1, 60.1, 65-66, 69.5, 70.1, 70.6, 70.7**

[56] **References Cited**

U.S. PATENT DOCUMENTS

D. 267,744	1/1983	Flynn	D6/574	X
D. 291,154	8/1987	Owen	D6/569	X
D. 309,687	8/1990	Embree et al.	D6/574	X
D. 340,607	10/1993	Hubbard	D6/574	X

D. 347,538	6/1994	Fleischer	D6/567
2,974,804	3/1961	Maro	211/60.1
3,187,902	6/1965	Nelson	211/70.6

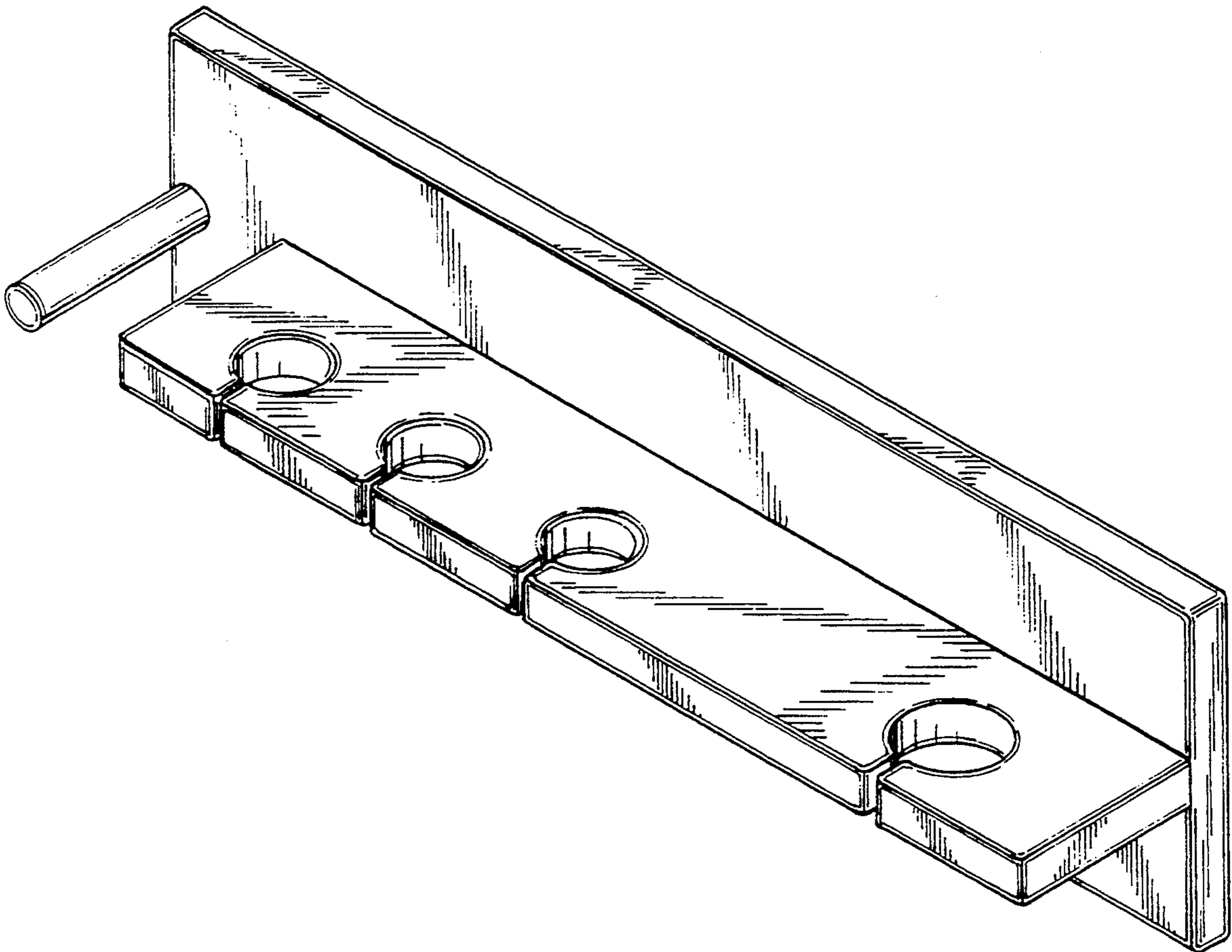
Primary Examiner—Brian N. Vinson
Attorney, Agent, or Firm—Dunlap, Codding & Lee

[57] **CLAIM**

The ornamental design for a hair accessory support rack, as shown and described.

DESCRIPTION

FIG. 1 is a perspective view of a hair accessory support rack in accordance with my new design; FIG. 2 is a right side elevational view thereof; FIG. 3 is a left side elevational view thereof; FIG. 4 is a rear elevational view thereof; FIG. 5 is a plan view thereof, the bottom view being a mirror image thereof; and, FIG. 6 is a front elevational thereof.



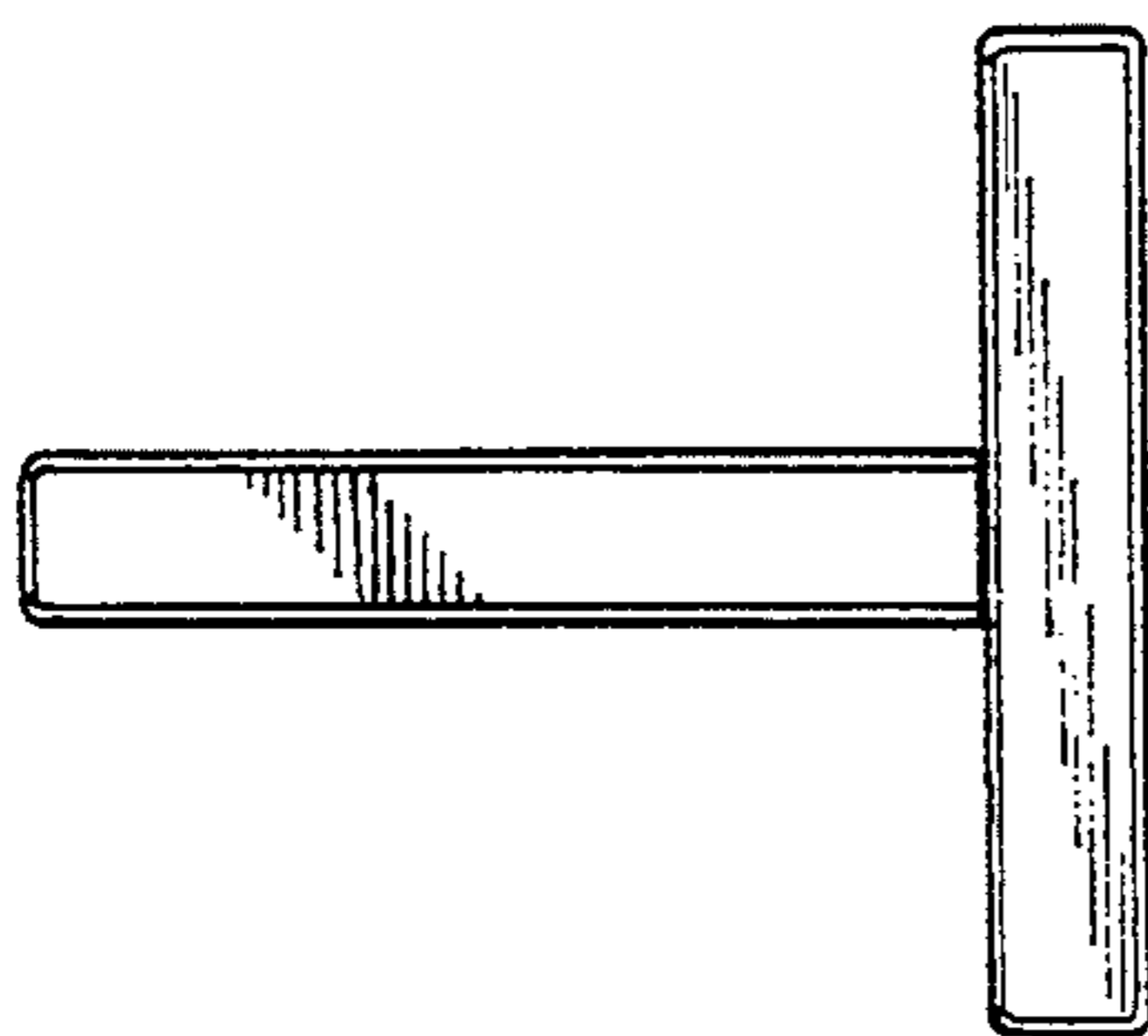
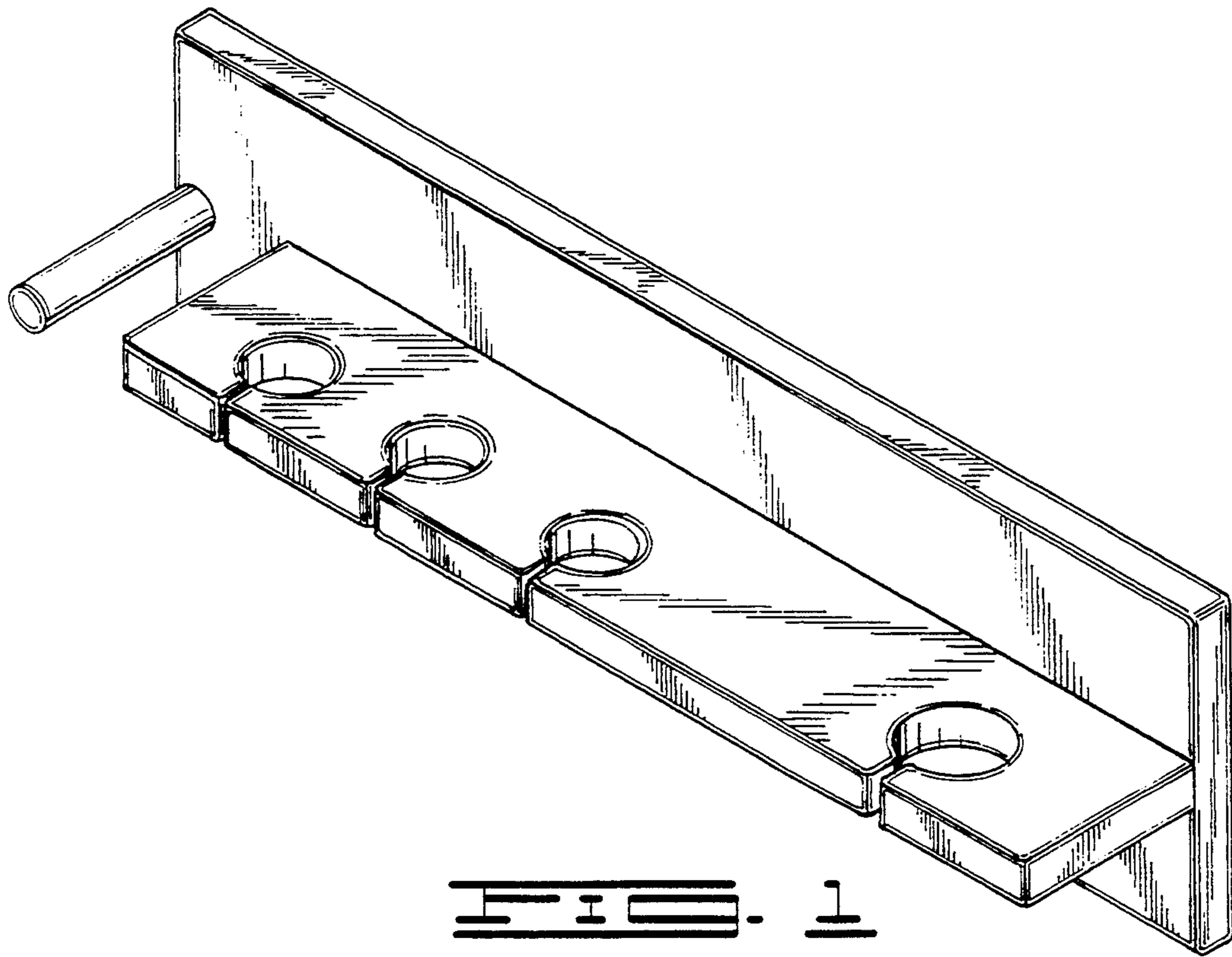


FIG. 2

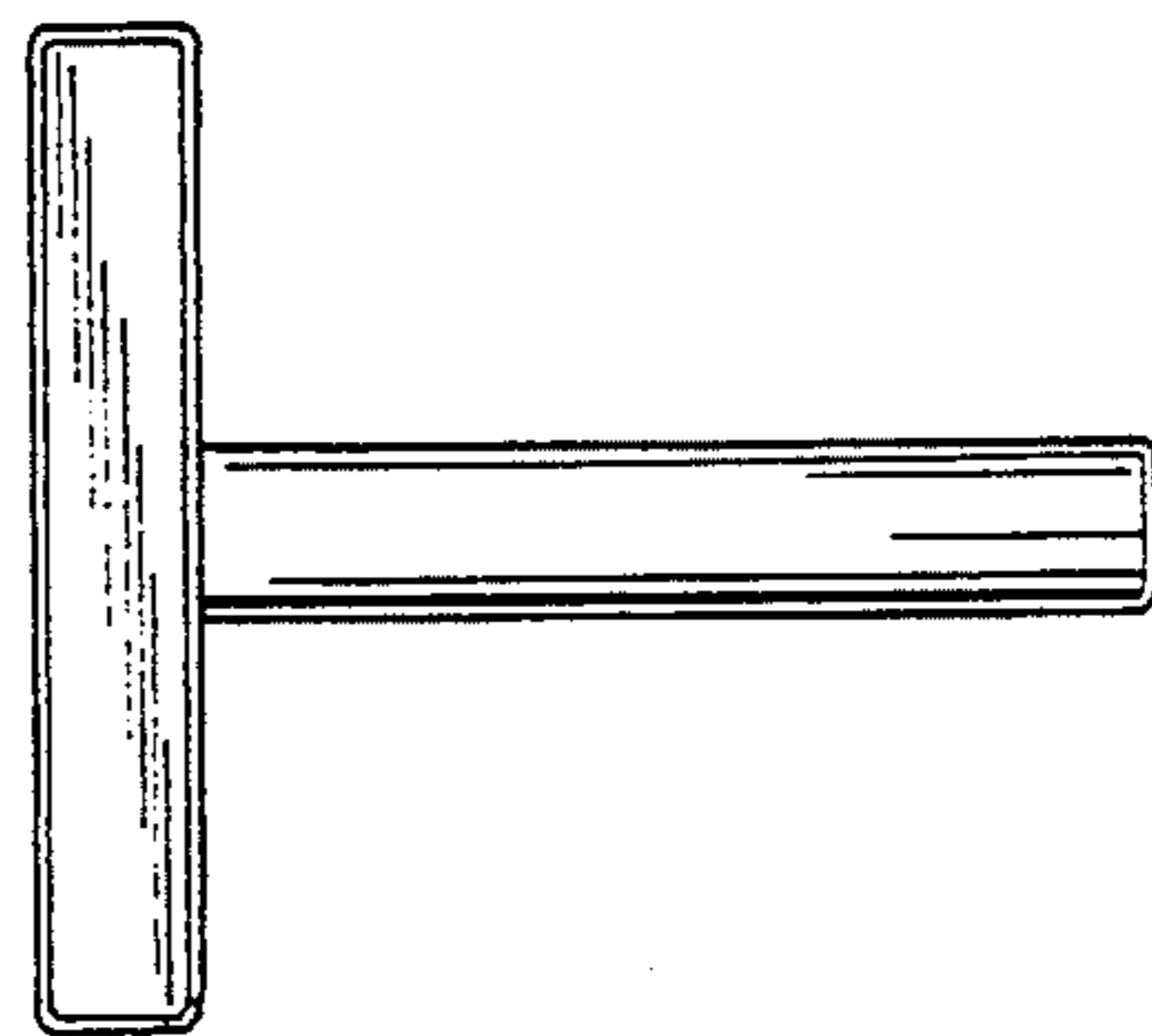


FIG. 3

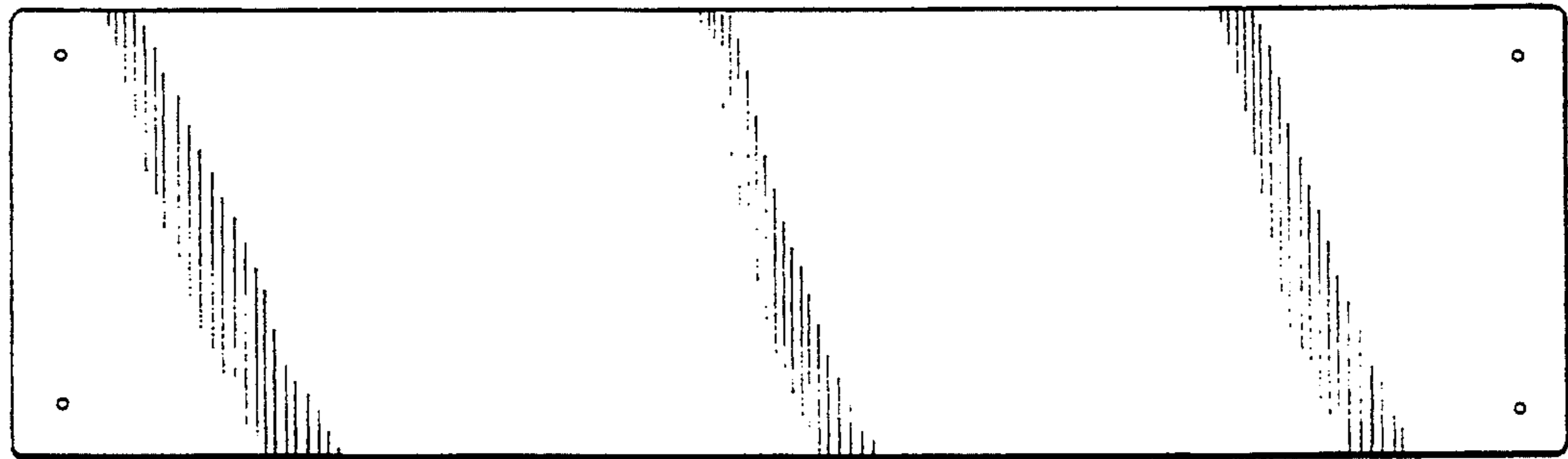


FIG. 4

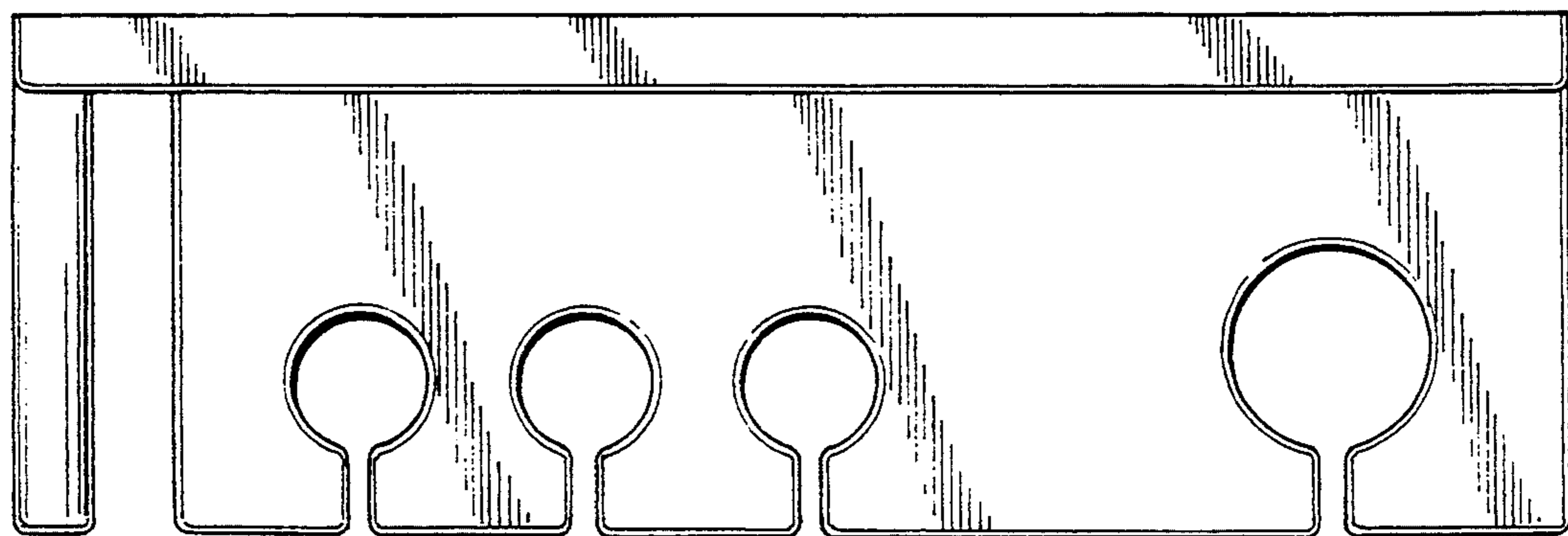


FIG. 5

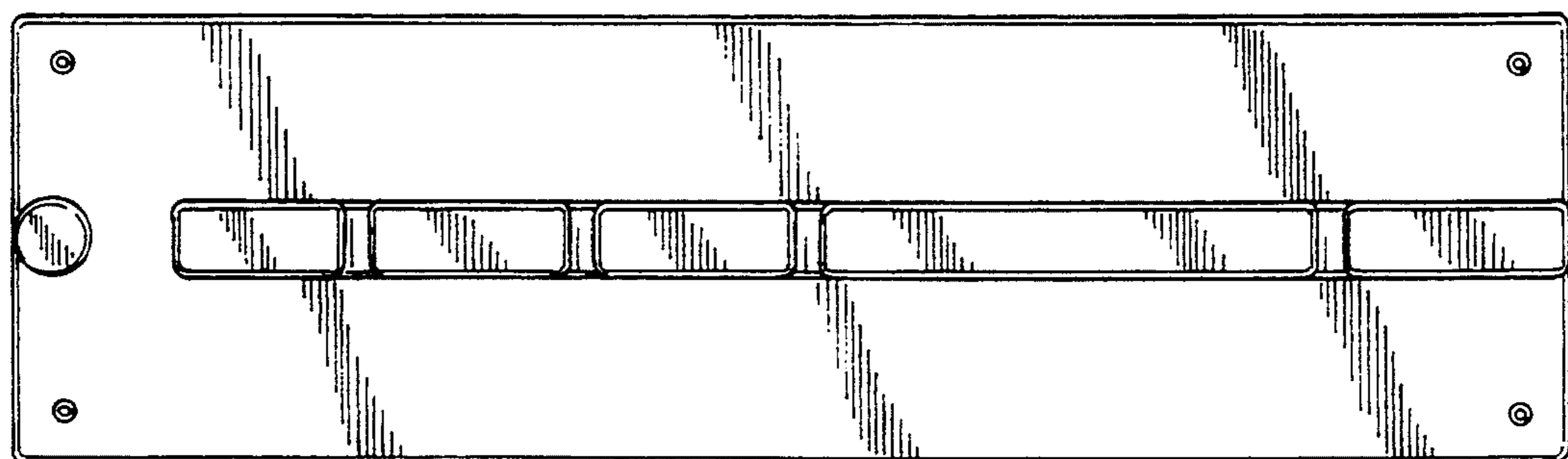


FIG. 6