



US00D354867S

# United States Patent [19]

[11] Patent Number: **Des. 354,867**

Lee

[45] Date of Patent: **\*\* Jan. 31, 1995**

[54] **FOLDABLE TABLE**

[76] Inventor: **Hae-Sup Lee**, 1467-16 Seocho-Dong, Seocho-Ku, Seoul, Rep. of Korea

[\*\*] Term: **14 Years**

[21] Appl. No.: **5,675**

[22] Filed: **Mar. 9, 1993**

[30] **Foreign Application Priority Data**

Oct. 17, 1992 [KR] Rep. of Korea ..... 92-17339

[52] U.S. Cl. .... **D6/335; D6/334; D6/336; D6/337; D6/353**

[58] Field of Search ..... **D6/334, 335, 336, 337, D6/338, 429; 108/50, 59, 101, 115; 297/17, 159**

[56] **References Cited**

**U.S. PATENT DOCUMENTS**

2,217,576	10/1940	Weber	.....	D6/337 X
2,991,829	7/1961	Post	.....	D6/337 X
3,885,829	5/1975	Haeger	.....	297/159
4,653,804	3/1987	Yoo et al.	.....	D6/337 X
4,826,244	5/1989	Choi	.....	297/159
4,883,314	11/1989	Sakong	.....	297/159

*Primary Examiner*—Wallace R. Burke  
*Assistant Examiner*—Monica A. Hannon  
*Attorney, Agent, or Firm*—Nawrocki, Rooney & Sivertson

[57] **CLAIM**

The ornamental design for a foldable table, as shown and described.

**DESCRIPTION**

FIG. 1 is a perspective view of the subject foldable table;  
FIG. 2 is a right side elevational view thereof;  
FIG. 3 is a front elevational view thereof;  
FIG. 4 is a rear elevational view thereof;  
FIG. 5 is a bottom plan view thereof;  
FIG. 6 is a left side elevational view thereof;  
FIG. 7 is a top plan view thereof;  
FIG. 8 is a perspective view thereof, when folded; and,  
FIG. 9 is a perspective view thereof, when a beach umbrella is installed.  
The broken line disclosure of an umbrella in FIG. 9 is for illustrative purposes only and forms no part of the claimed design.

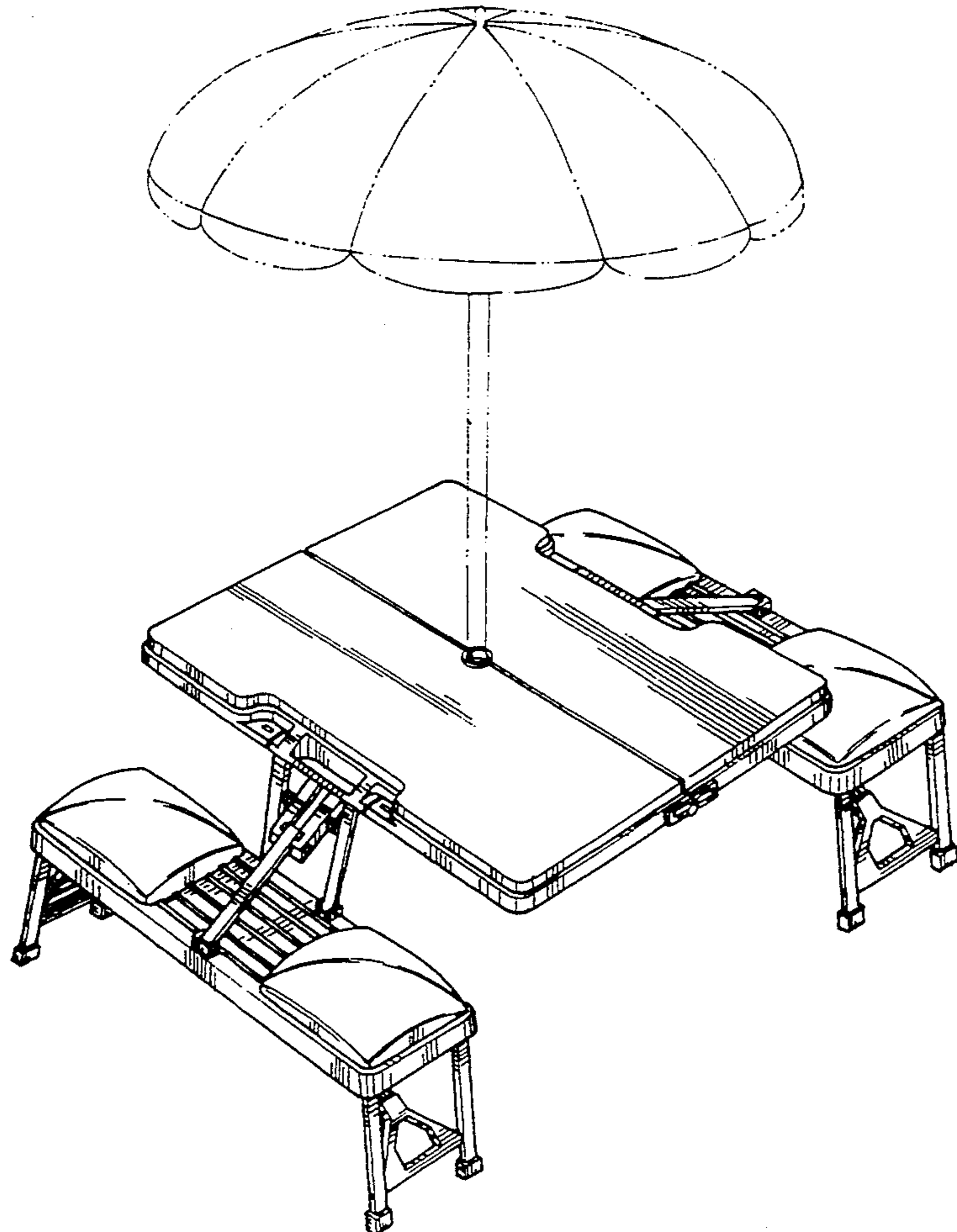


Fig 1

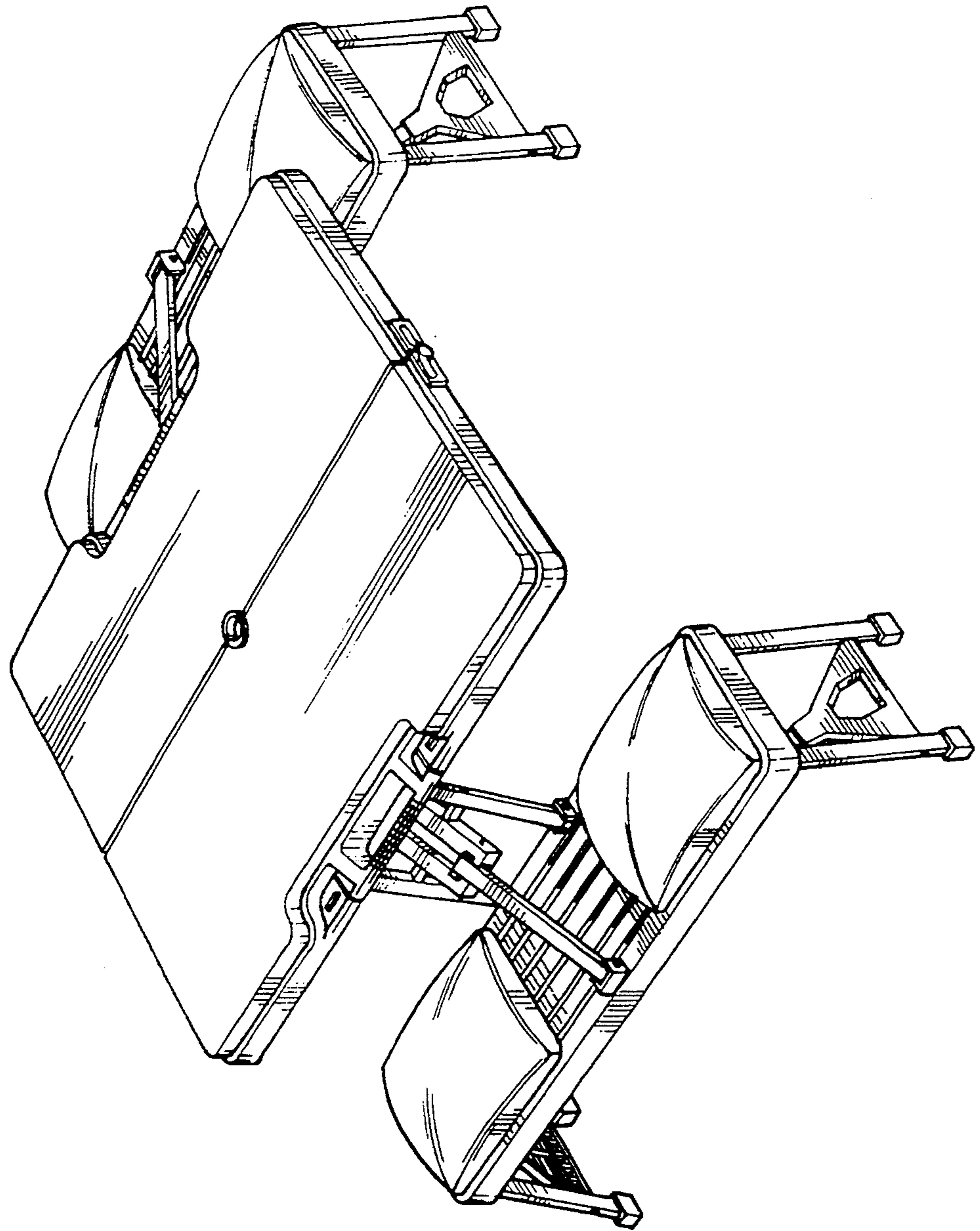


Fig 2

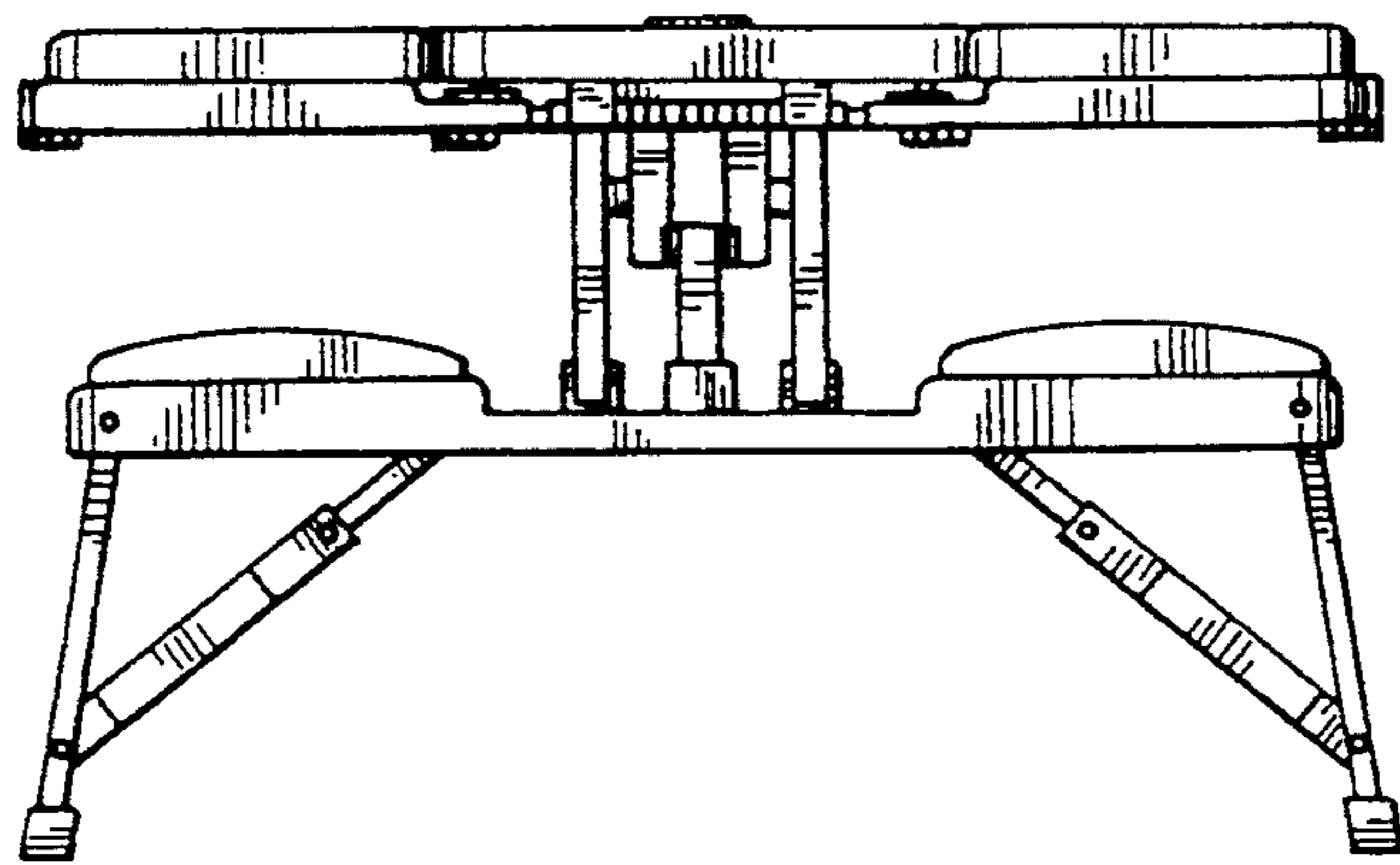


Fig 3

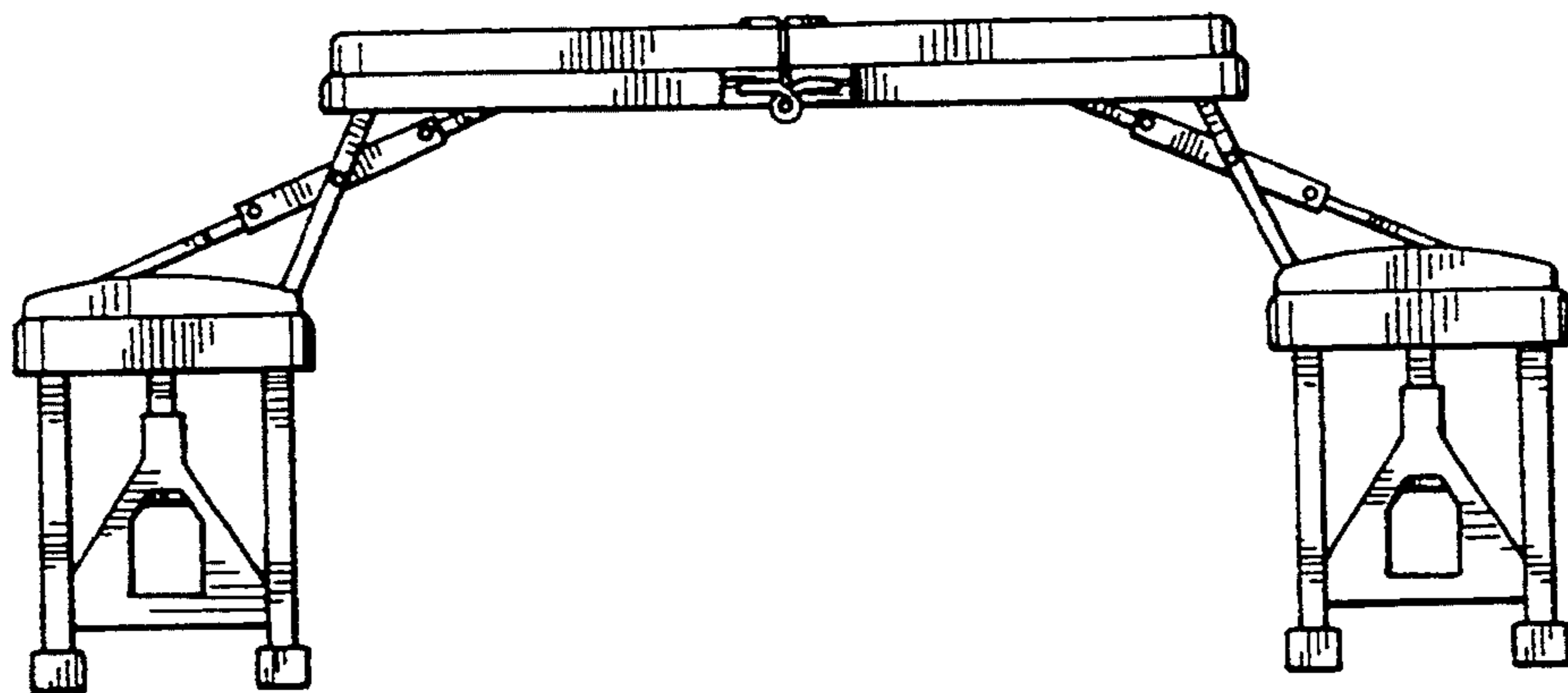


Fig 4

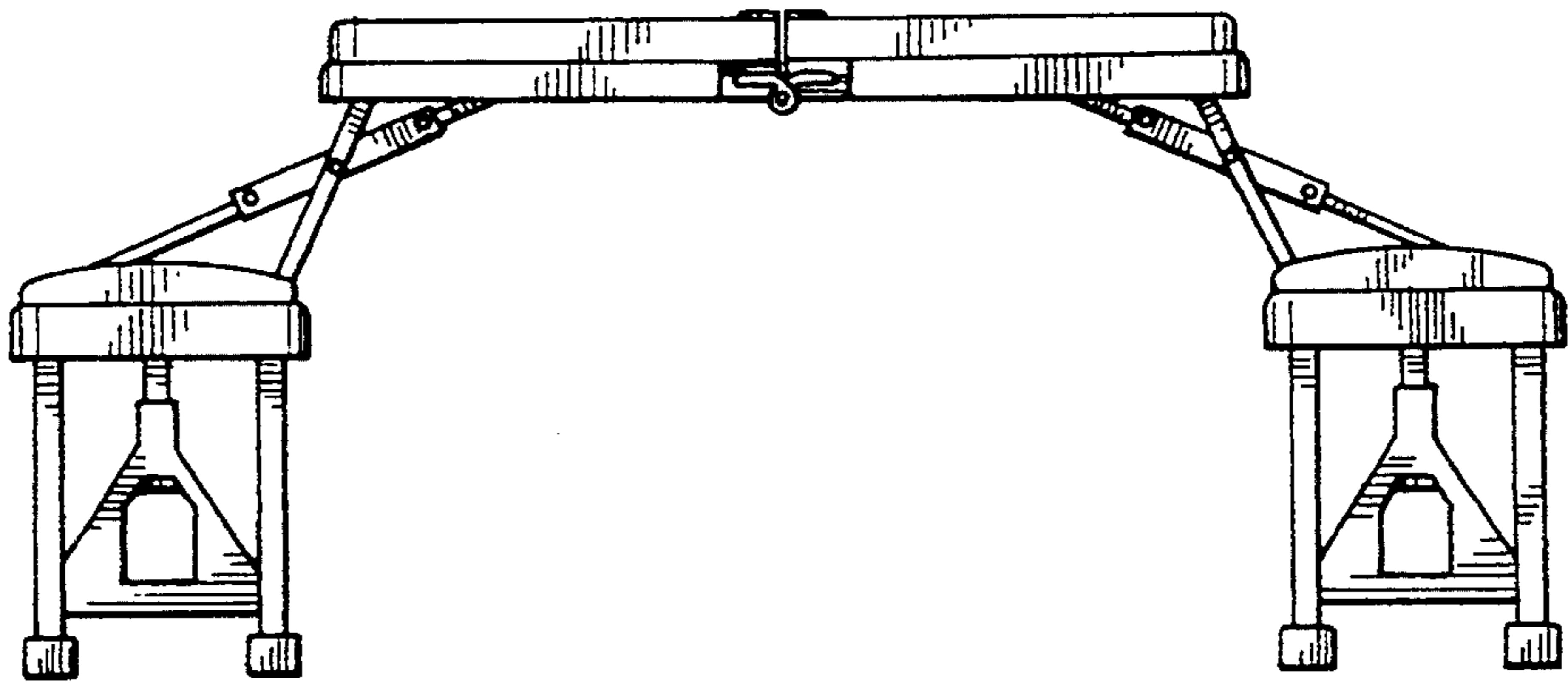


Fig 5

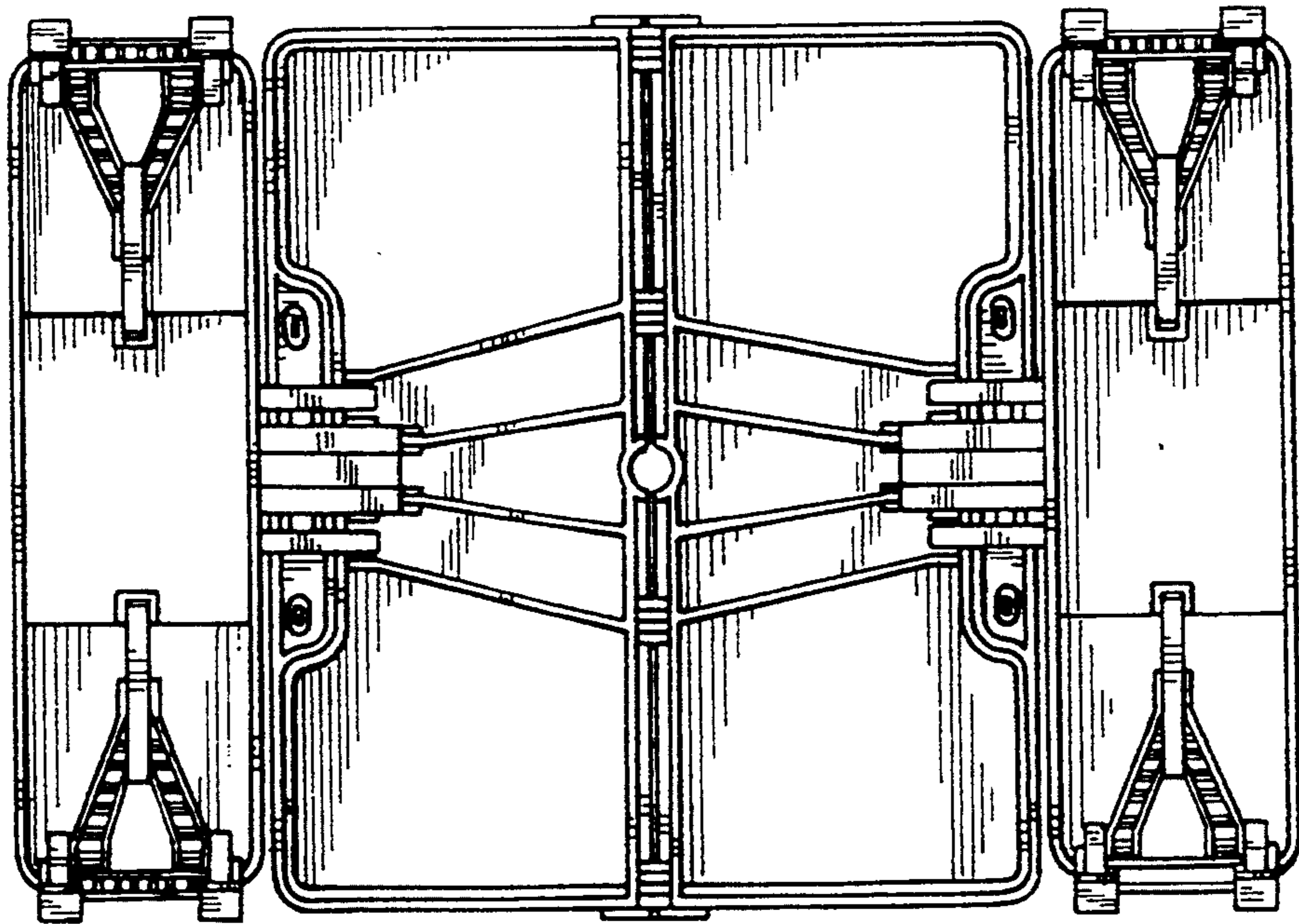


Fig 6

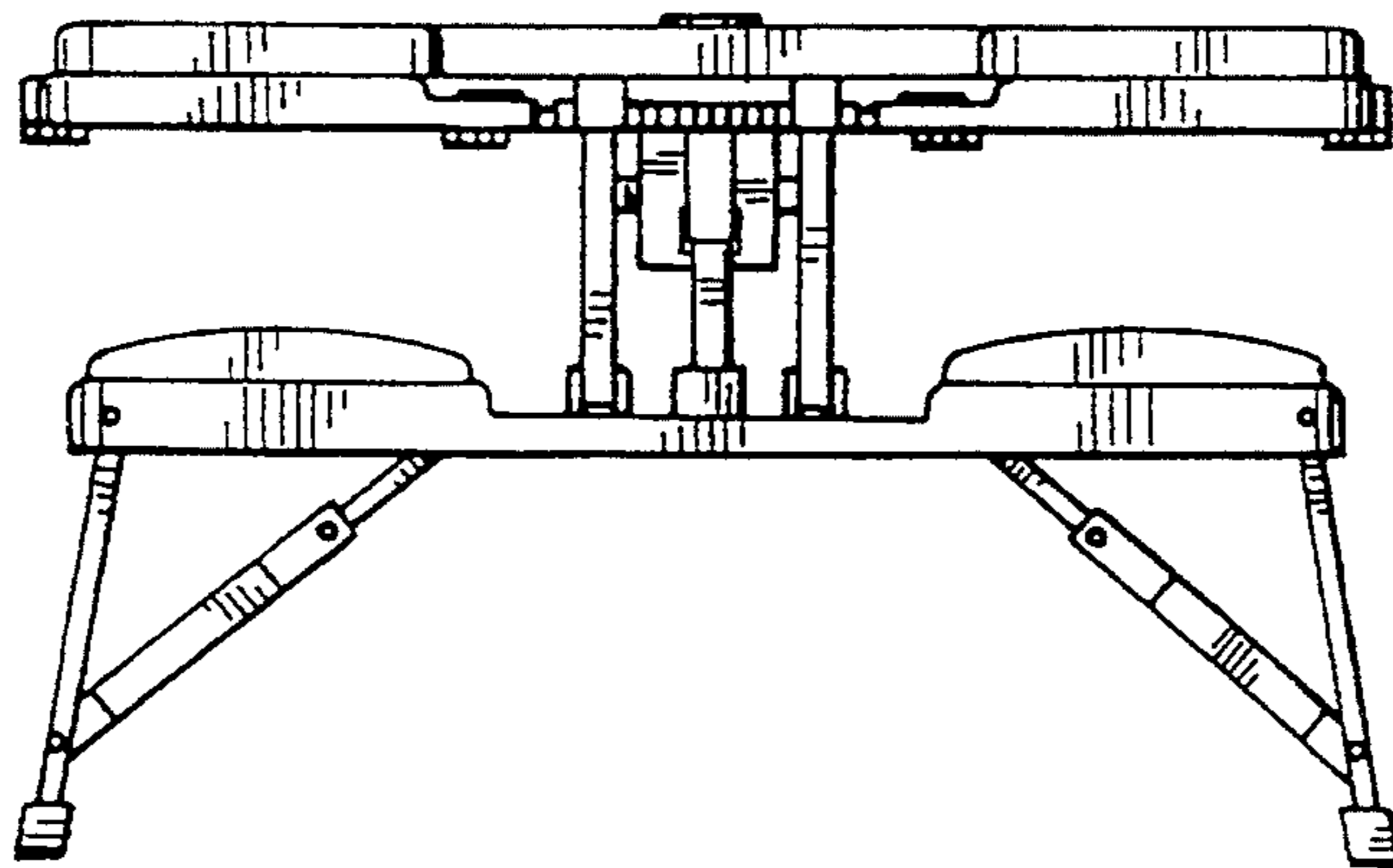


Fig 7

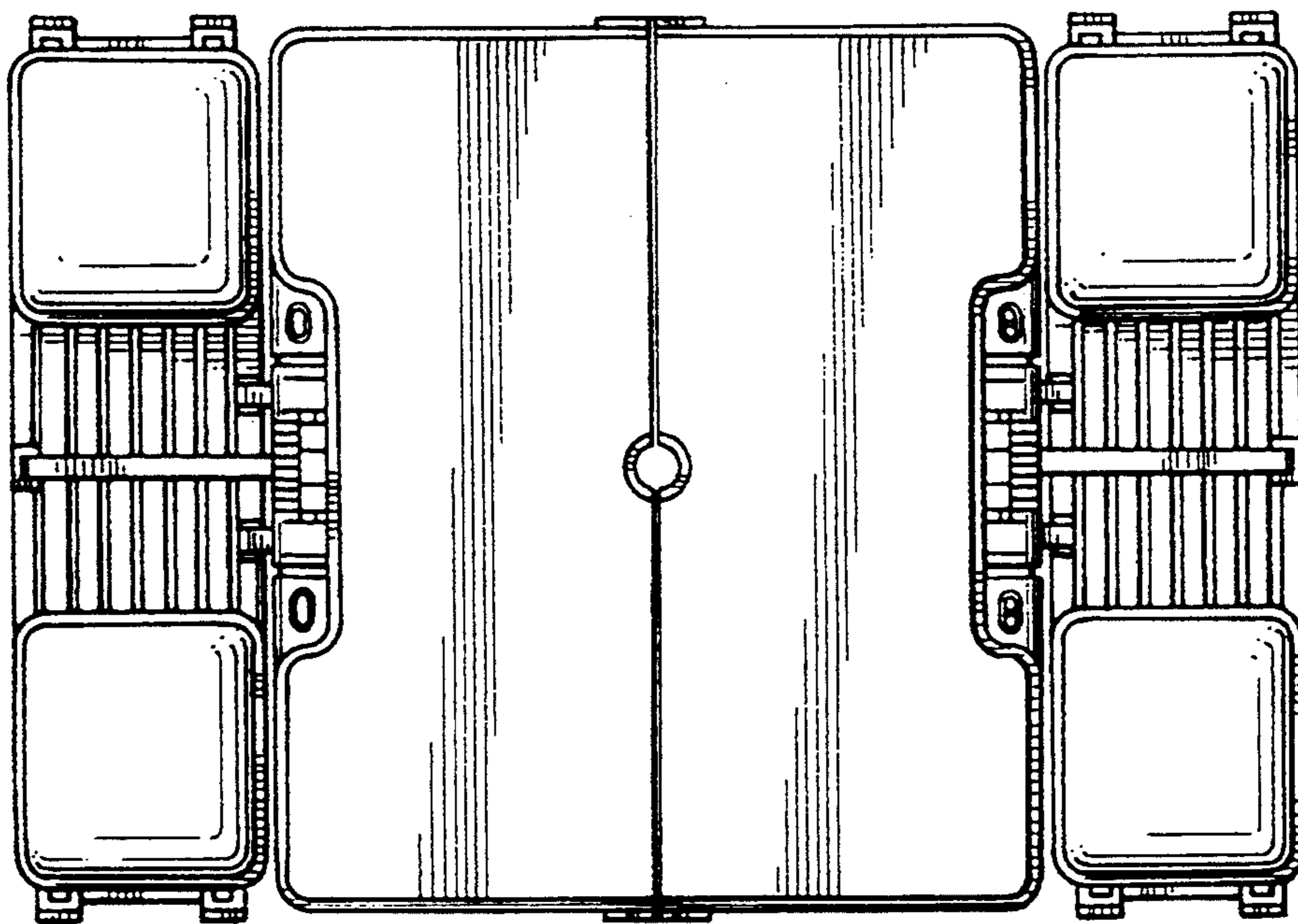


Fig 8

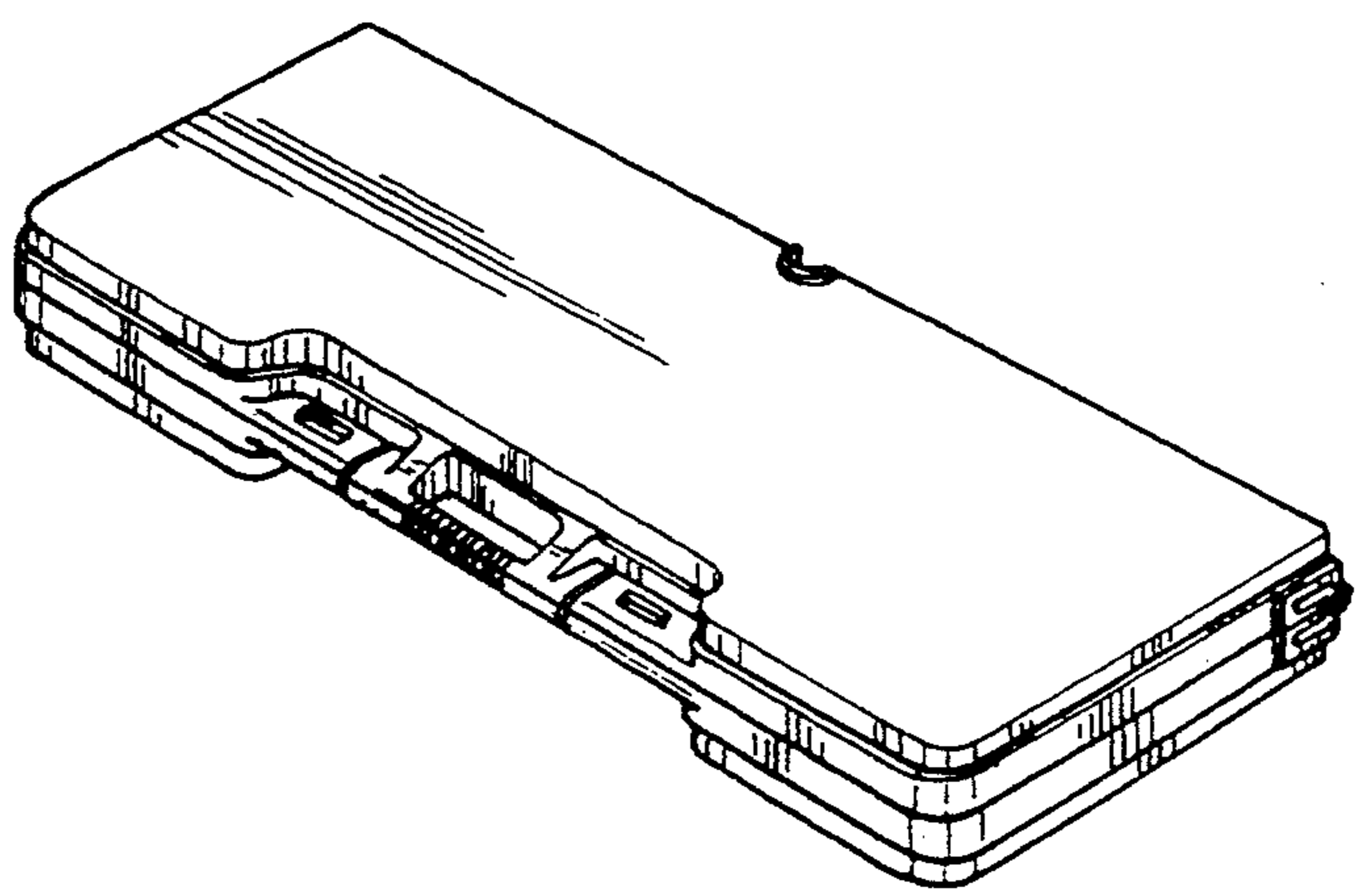


Fig 9

