



US00D354864S

# United States Patent [19]

[11] Patent Number: **Des. 354,864**

**Kokenge et al.**

[45] Date of Patent: **\*\* Jan. 31, 1995**

[54] **WIRE SHELF**

[75] Inventors: **Elmer J. Kokenge**, Loveland, Ohio;  
**John D. Kokenge**, Bloomington, Ind.

[73] Assignee: **Schulte Corporation**, Bloomington, Ind.

[\*\*] Term: **14 Years**

[21] Appl. No.: **11,725**

[22] Filed: **Aug. 13, 1993**

[52] U.S. Cl. .... **D6/511; D6/566**

[58] Field of Search ..... **D6/491, 509-511; 108/134, 29, 30; 211/153, 187, 181, 90; D6/553, 559, 556, 566, 567, 572, 574; 248/249; 211/119, 106**

[56] **References Cited**

**U.S. PATENT DOCUMENTS**

D. 180,366	5/1957	Hitchens .....	D6/475 X
D. 266,130	9/1982	Gimmi et al. ....	D6/566
2,870,916	1/1959	La Bonia et al. .	
3,225,940	12/1965	Story .	
3,669,395	6/1972	Gehrke .....	211/90 X
4,122,955	10/1978	Celms .....	D6/566 X
4,361,099	11/1992	Kokenge et al. ....	D6/566 X
5,125,517	6/1992	Martinell .....	211/90 X
5,143,332	9/1992	Camilleri .	
5,148,928	9/1992	Arnold .	

**FOREIGN PATENT DOCUMENTS**

1251070 12/1960 France .  
2562777 10/1985 France .  
2007991 2/1970 Germany .

**OTHER PUBLICATIONS**

Schulte Corproation brochure, published 1993.  
Lee/Rowan Company product brochure, published 1992 (Cover and three pages).  
One sheet of drawings depicting a shelf design (same as shown on the cover and the first page of the Lee/Rowan brochure).

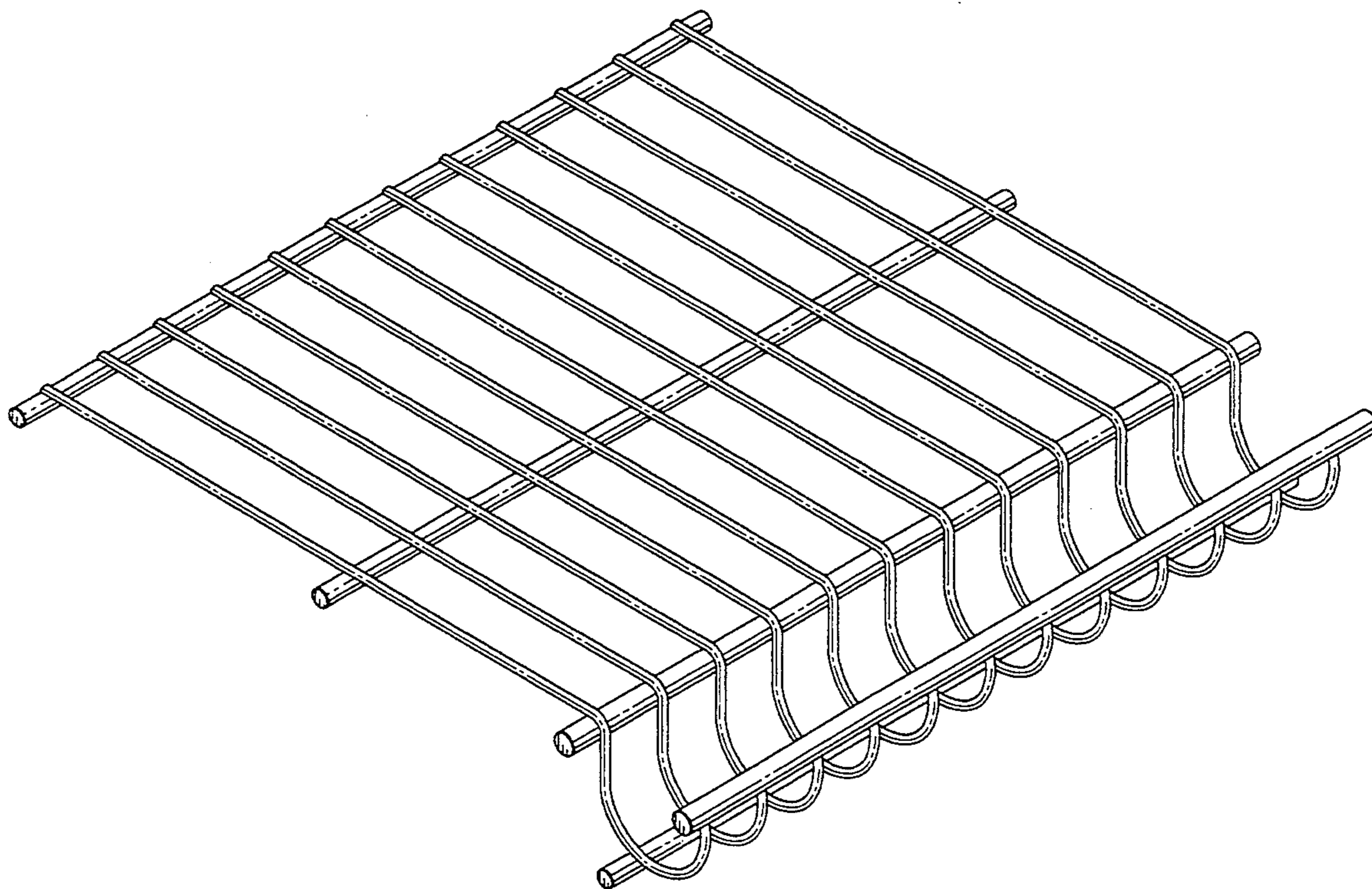
*Primary Examiner*—Janice E. Seeger  
*Attorney, Agent, or Firm*—Frost & Jacobs

[57] **CLAIM**

The ornamental design for a wire shelf, as shown and described.

**DESCRIPTION**

FIG. 1 is a front, right side top perspective view of a wire shelf embodying our new design;  
FIG. 2 is a top plan view thereof;  
FIG. 3 is a bottom plan view thereof;  
FIG. 4 is a side plan view thereof;  
FIG. 5 is a front plan view thereof; and,  
FIG. 6 is a rear plan view thereof.



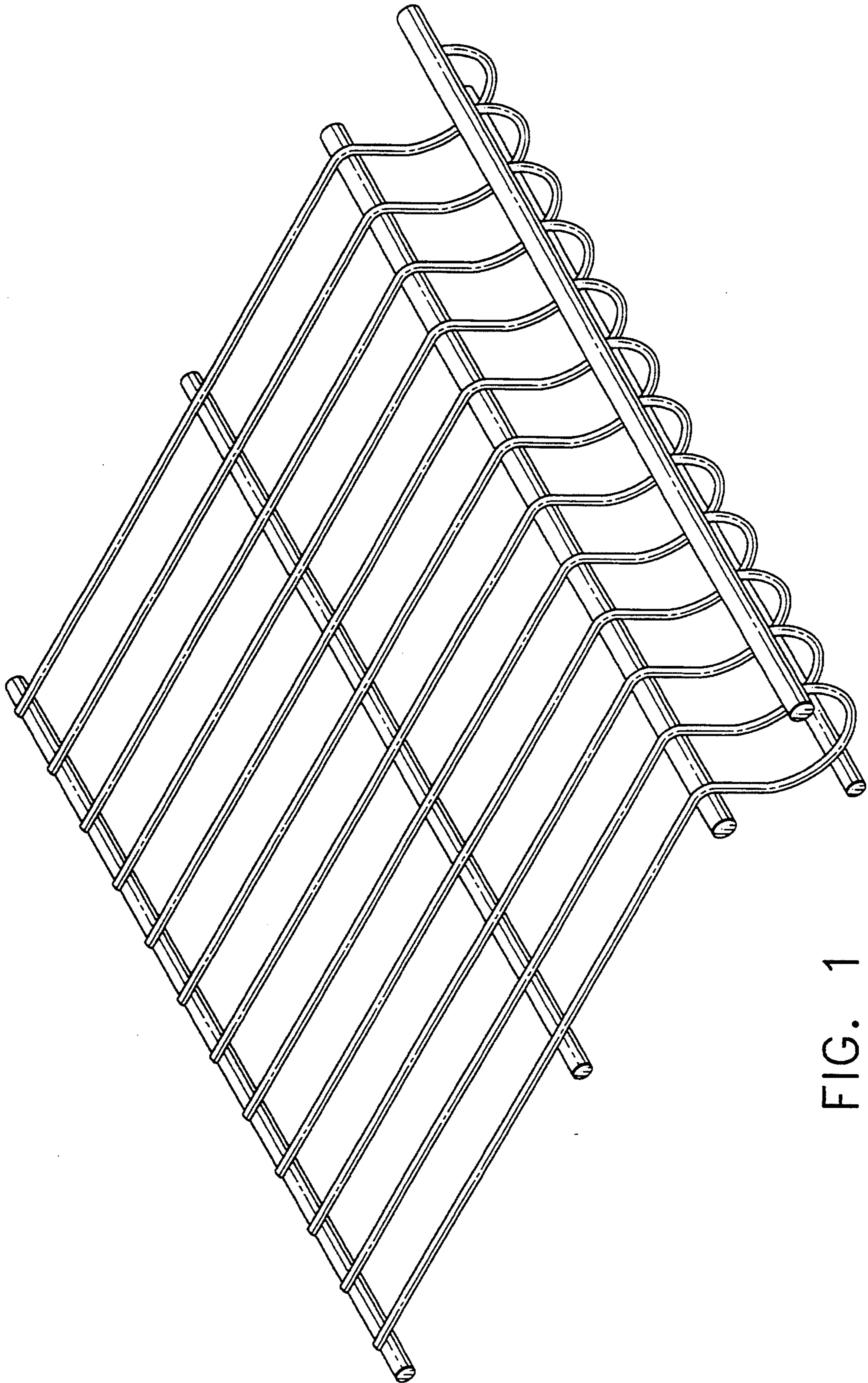


FIG. 1

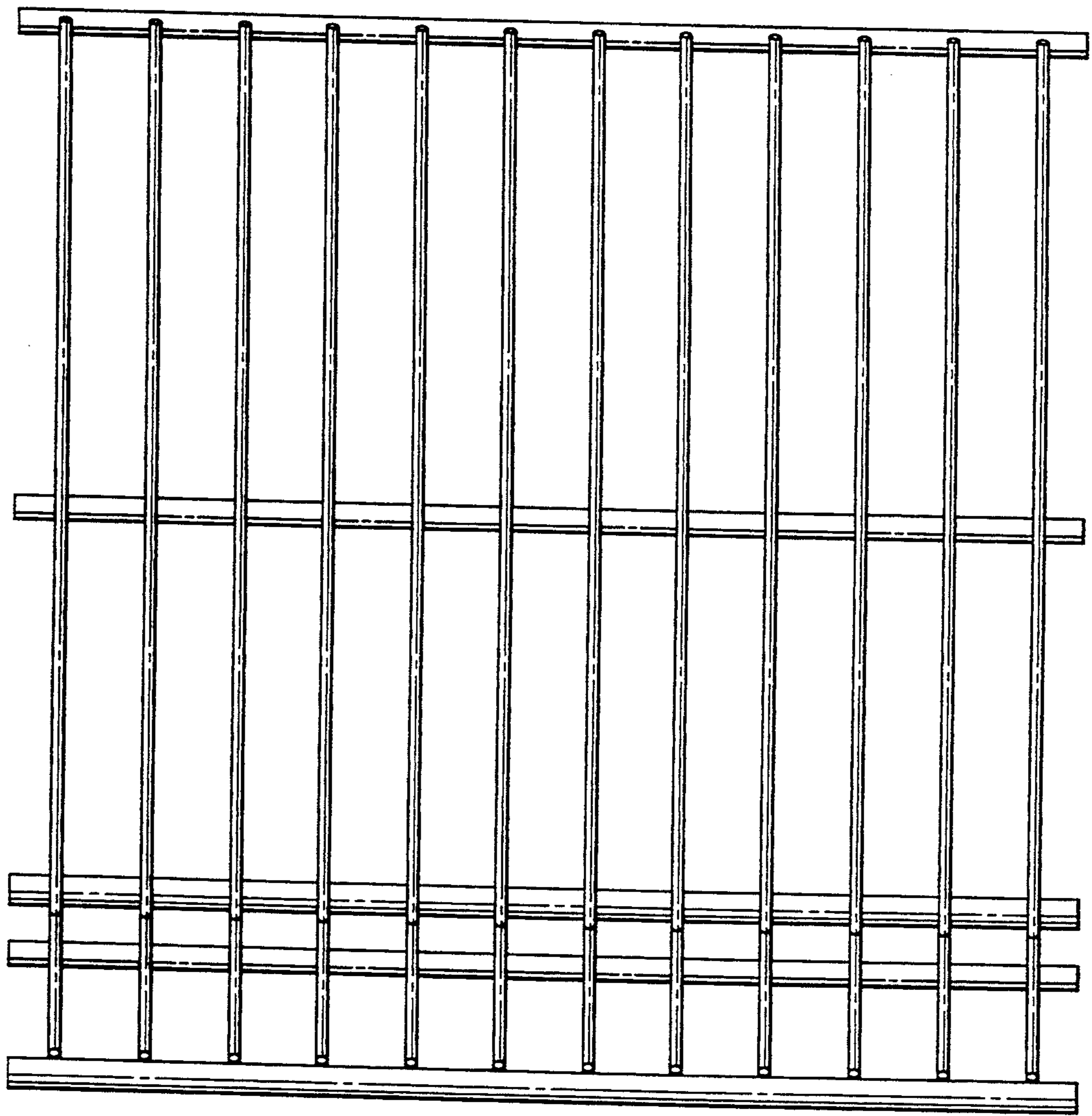


FIG. 2

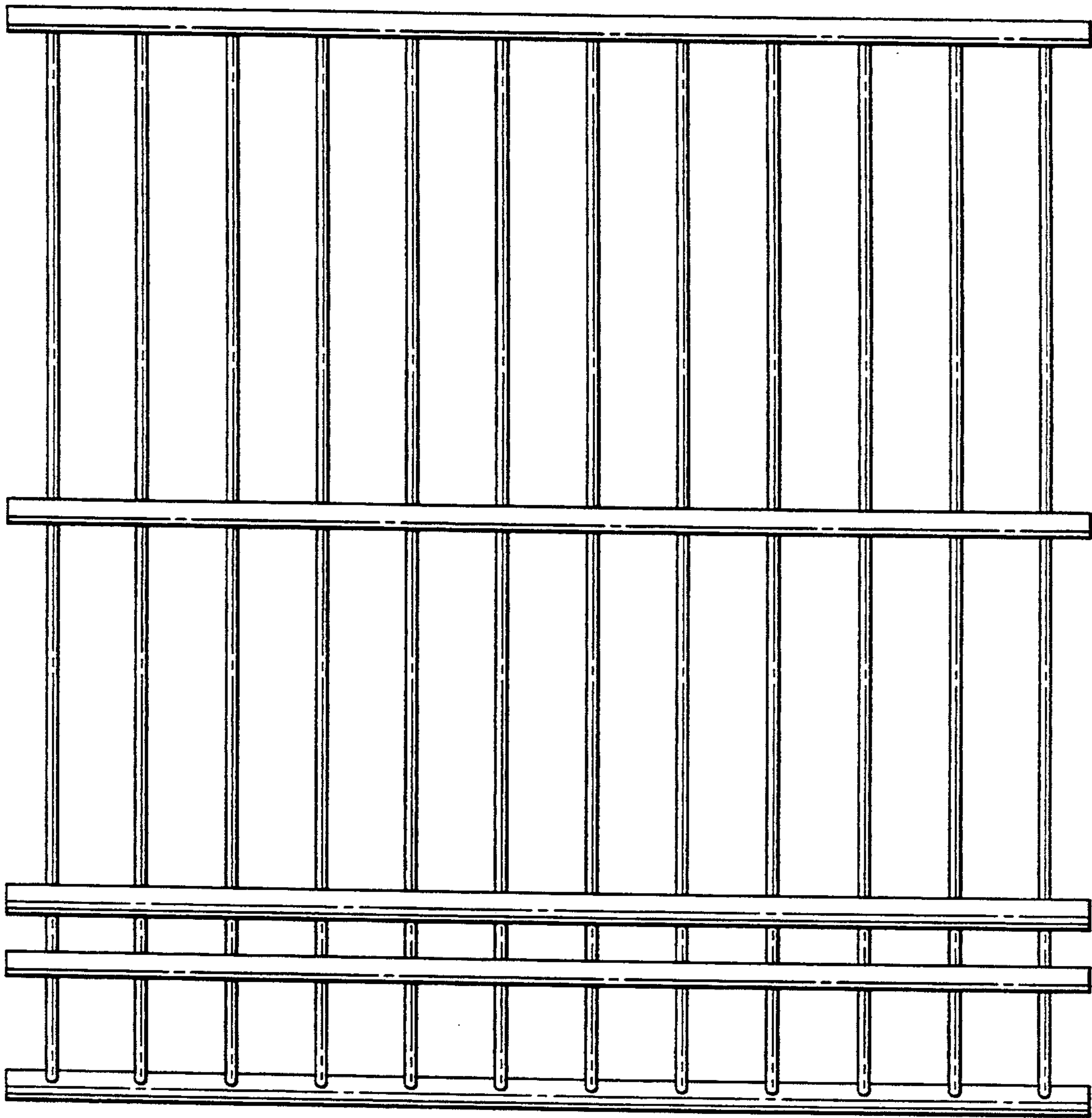


FIG. 3

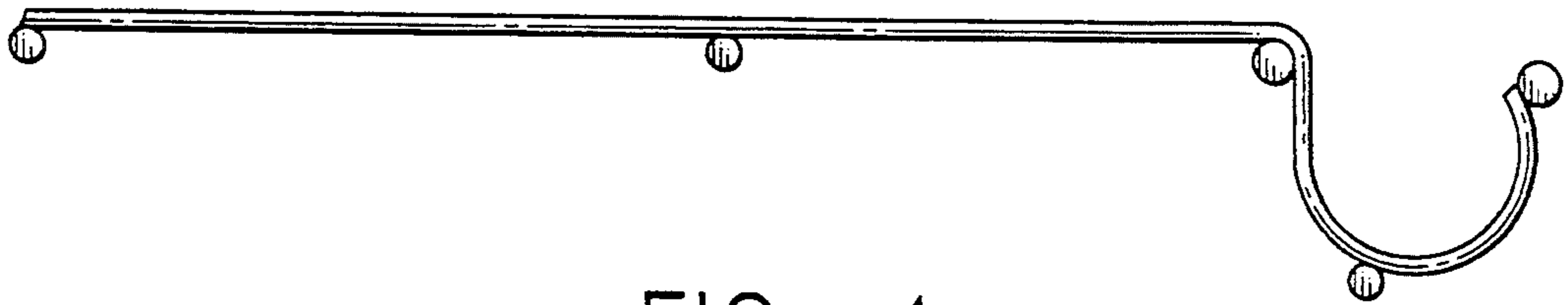


FIG. 4

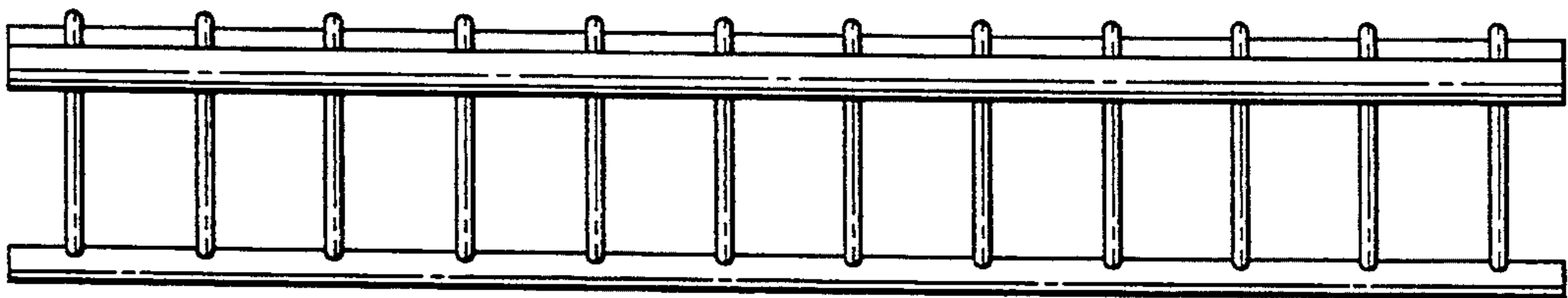


FIG. 5

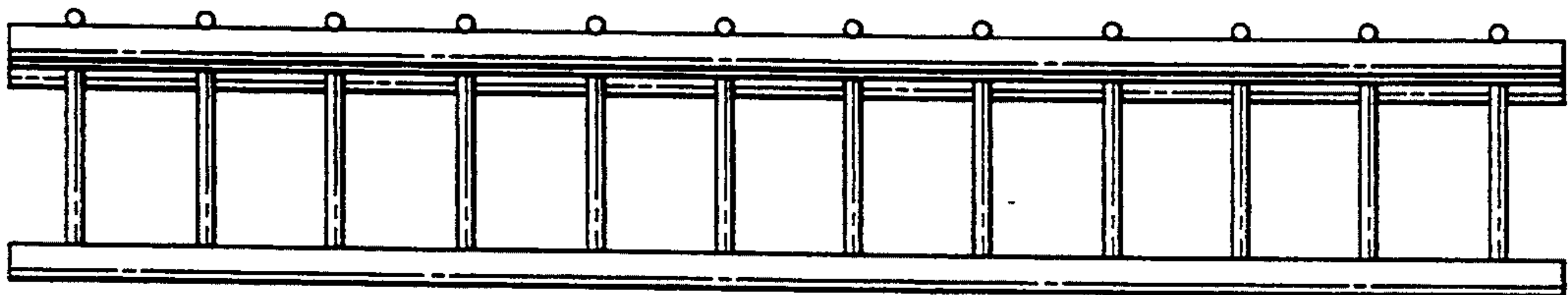


FIG. 6