



US00D354863S

United States Patent [19]

[11] Patent Number: **Des. 354,863**

Pope

[45] Date of Patent: **** Jan. 31, 1995**

[54] **EYE GLASS STAND**

3,204,779 9/1965 Warner D6/411 X
3,519,138 7/1970 Murray 248/902

[76] Inventor: **Stephen L. Pope**, 1066 Manor Dr.,
Palm Springs, Fla. 33015

Primary Examiner—Nelson C. Holtje
Assistant Examiner—S. Snapp
Attorney, Agent, or Firm—Gipple & Hale

[**] Term: **14 Years**

[21] Appl. No.: **4,334**

[57] **CLAIM**

[22] Filed: **Feb. 2, 1993**

The ornamental design for a eye glass stand, as shown and described.

[52] U.S. Cl. **D6/465**

[58] Field of Search D6/465, 466, 467, 468,
D6/469, 470, 410, 411, 412, 413, 414, 415, 449;
248/902; 211/13, 22, 27, 126, 133; D3/34;
D16/129

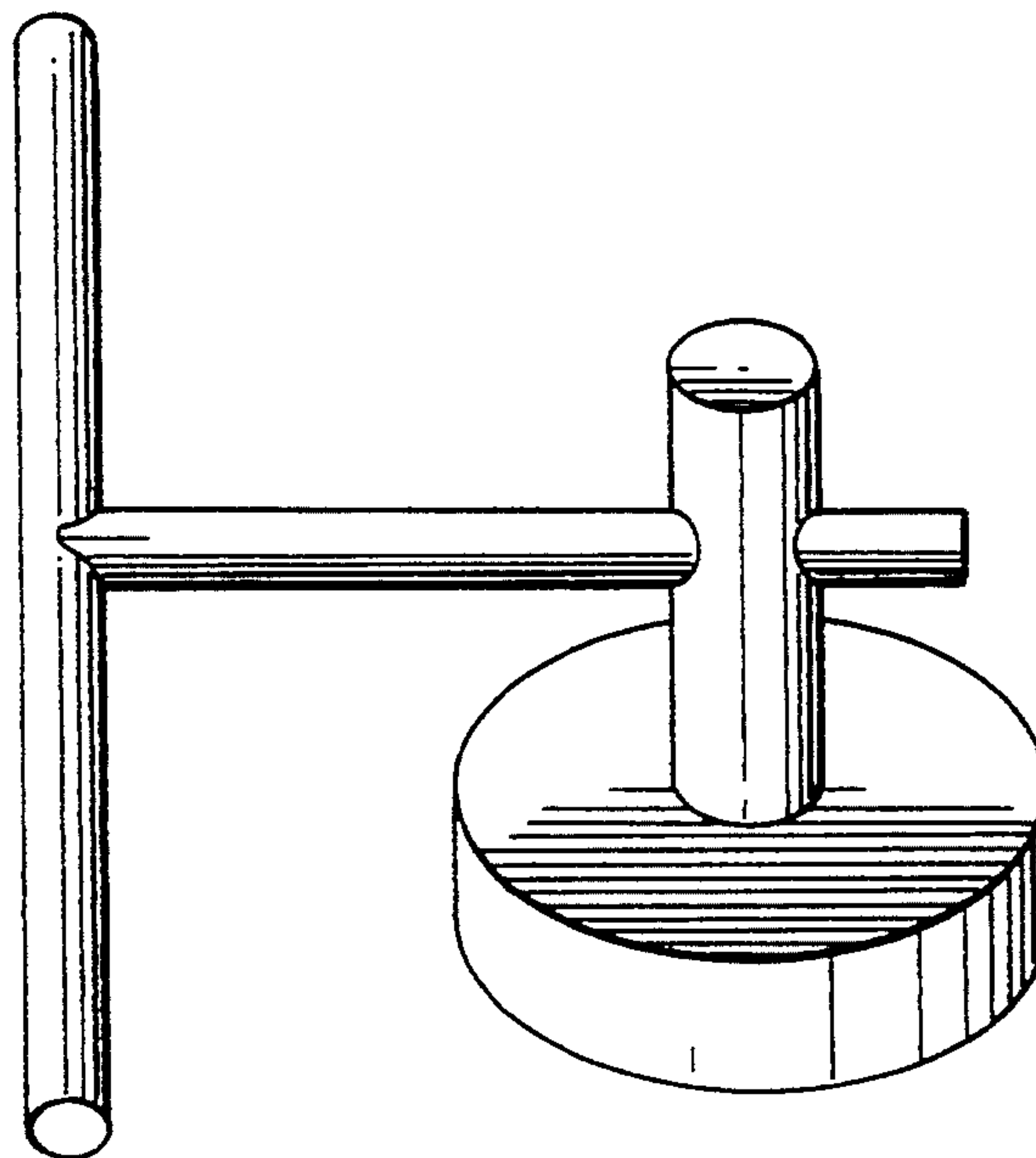
DESCRIPTION

[56] **References Cited**

U.S. PATENT DOCUMENTS

- D. 128,958 8/1941 Dreyfuss D6/449 X
- D. 255,292 6/1980 Gibson D6/465
- D. 334,855 4/1993 Harrington et al. D6/415 X

FIG. 1 is a perspective view of the eye glass stand;
FIG. 2 is a side elevational view of the eye glass stand shown in FIG. 1, the other side elevational view being identical thereto;
FIG. 3 is a front elevational view of the eye glass stand;
FIG. 4 is a rear elevational view of the eye glass stand;
FIG. 5 is a top plan view of the eye glass stand; and,
FIG. 6 is a bottom plan view of the eye glass stand.



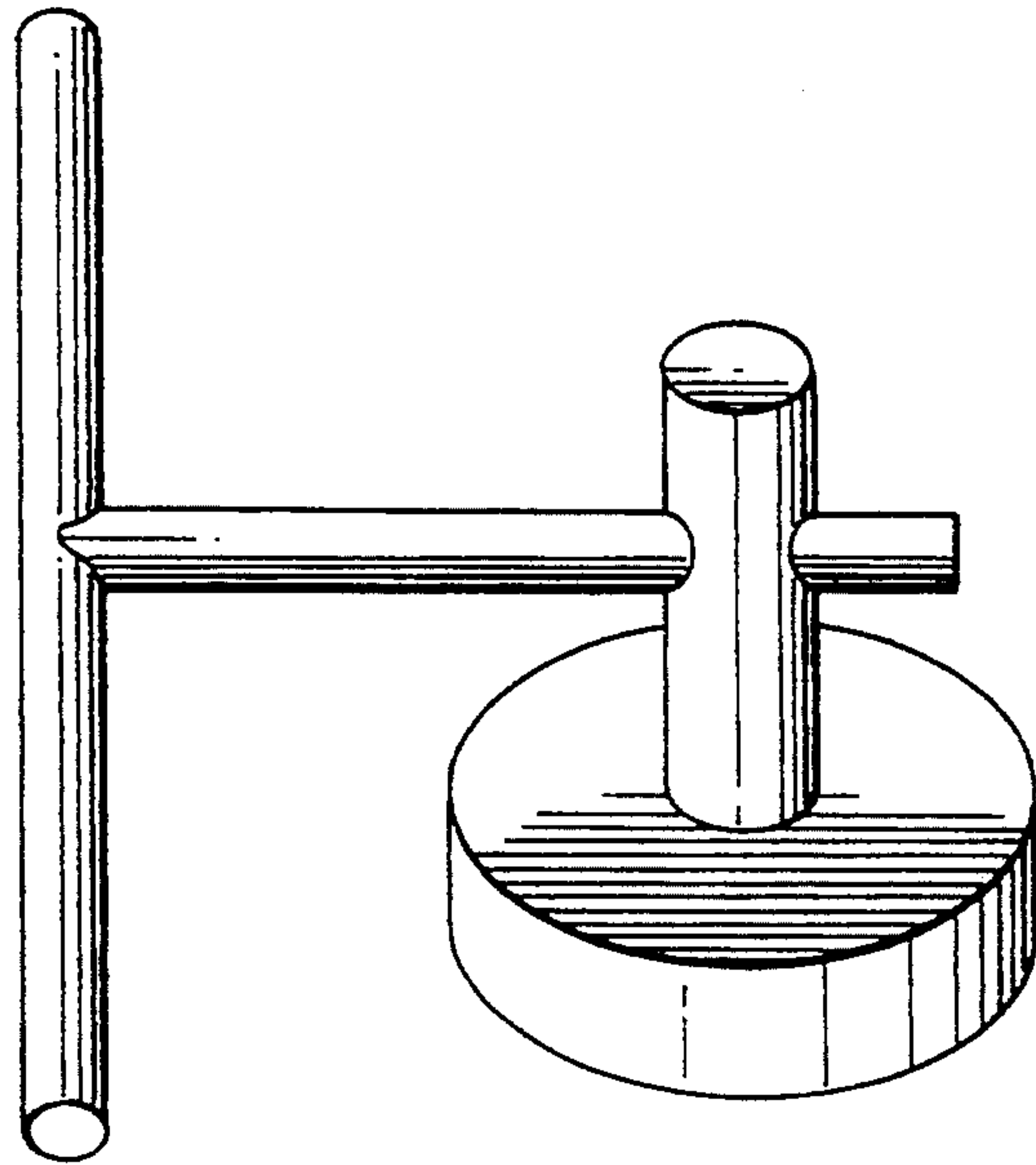


FIG. 1

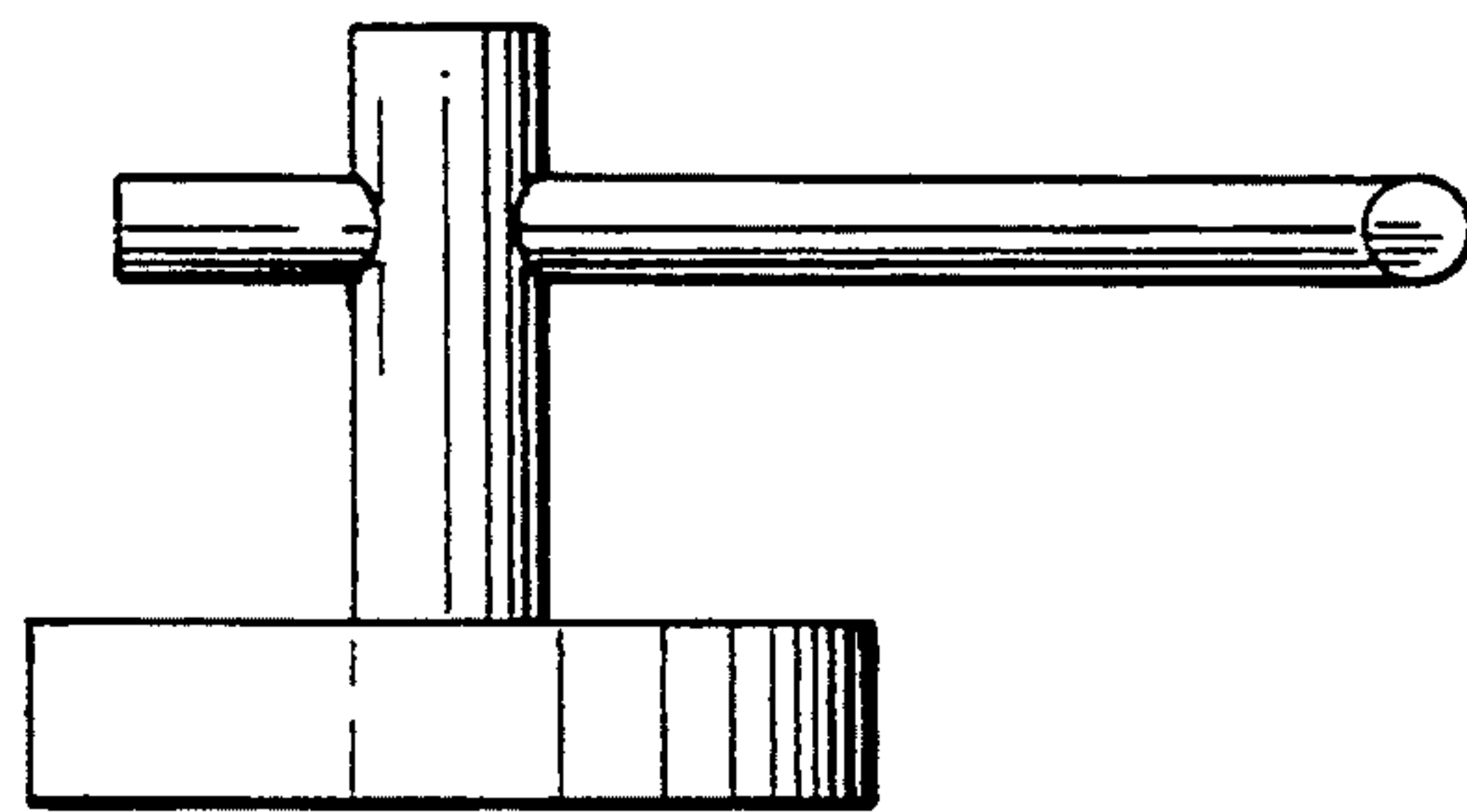


FIG. 2

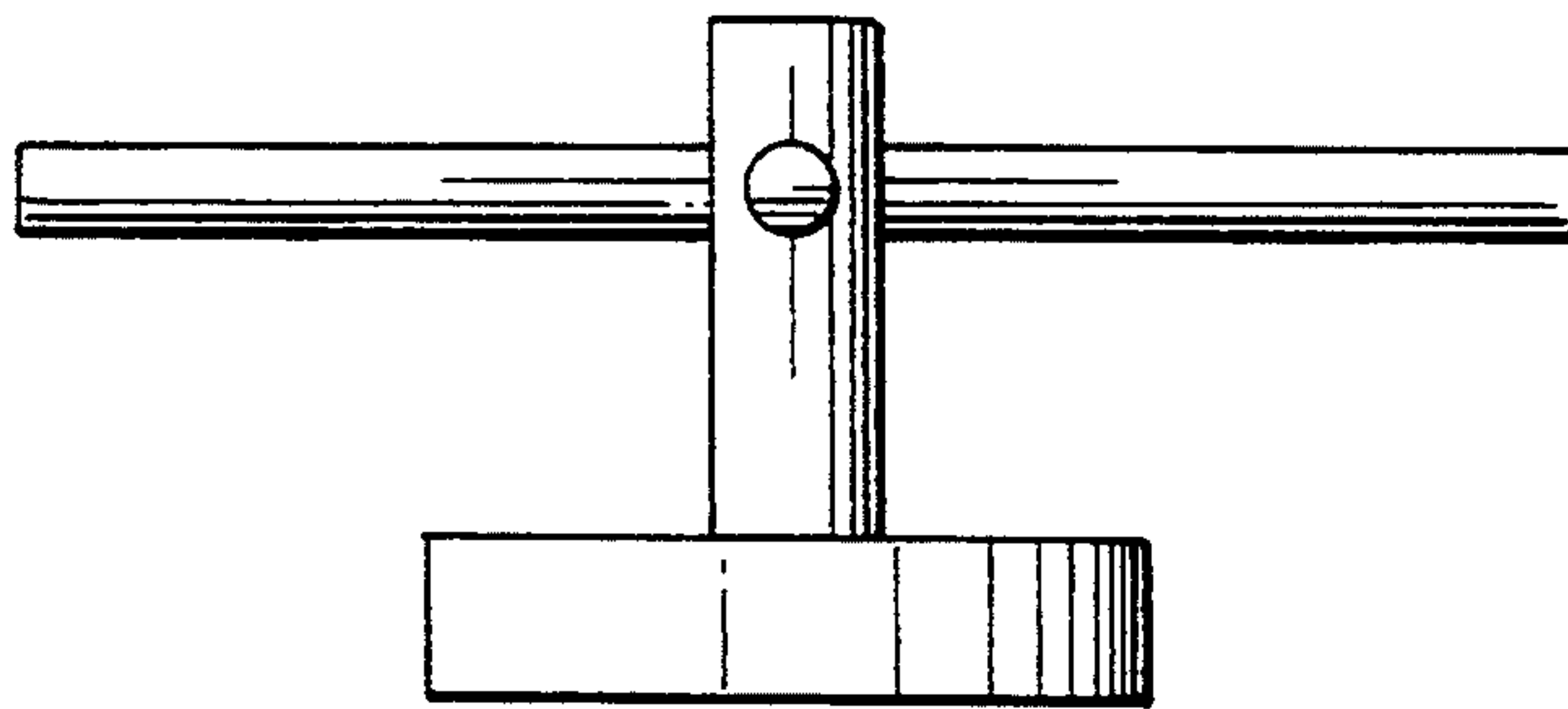


FIG. 3

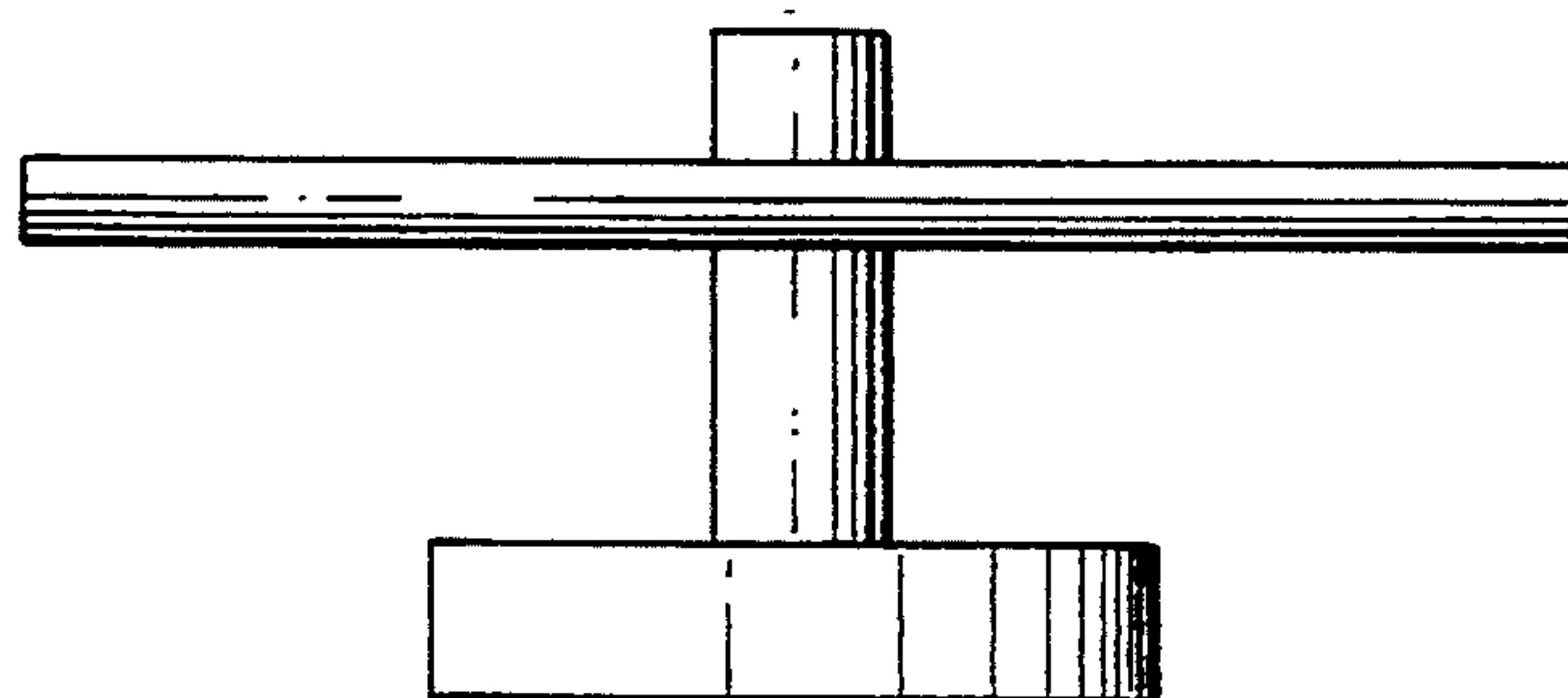


FIG. 4

FIG. 5

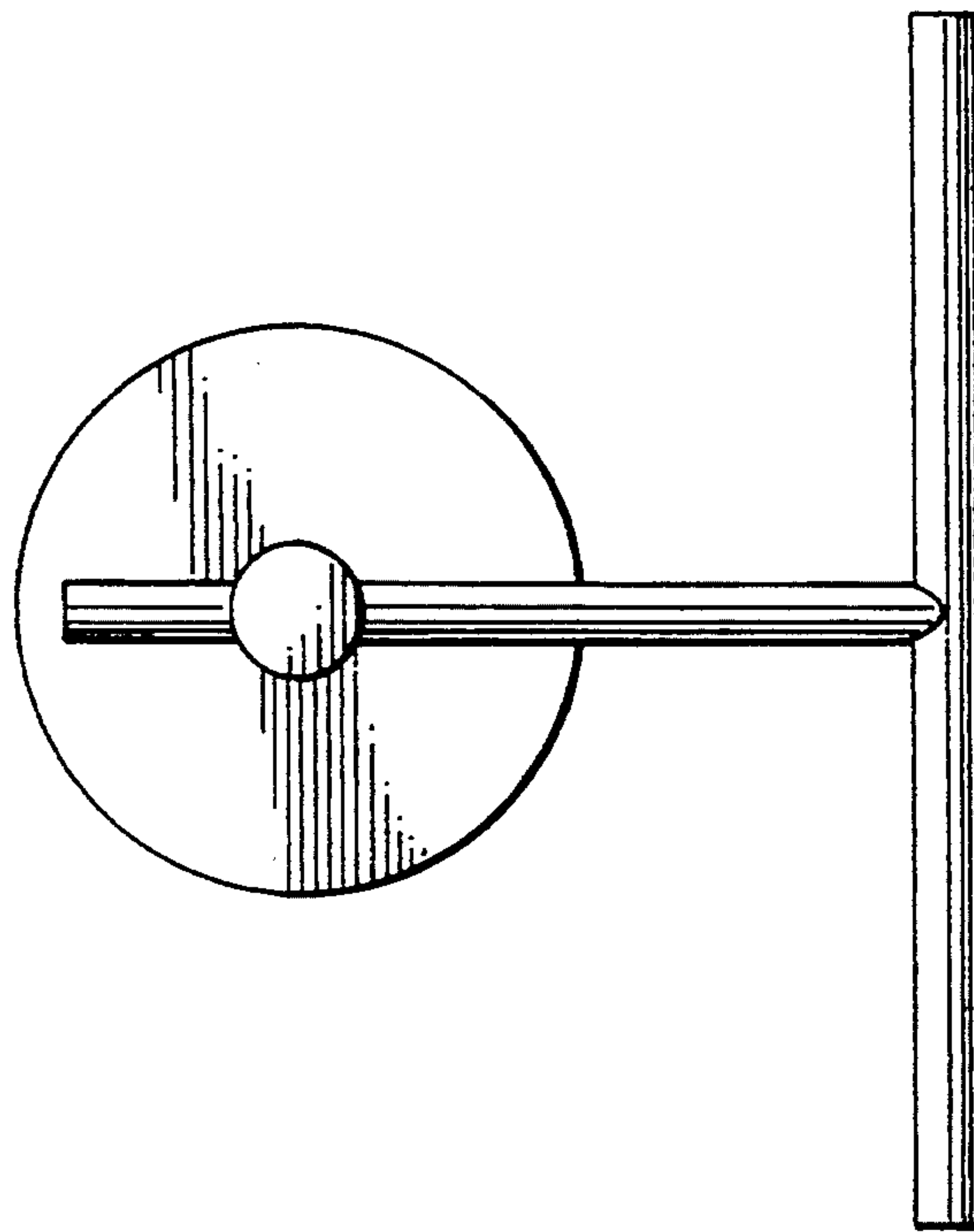


FIG. 6

