



US00D354862S

United States Patent [19]
Goldberg

[11] **Patent Number: Des. 354,862**

[45] **Date of Patent: ** Jan. 31, 1995**

[54] **DISPLAY RACK**
[76] **Inventor: Lewis B. Goldberg, 20768 Skouras Dr., Canoga Park, Calif. 91306**

353,554 11/1886 Godfrey 211/77
1,570,651 1/1926 Topping et al. D6/460 X
4,773,544 9/1988 McCarthy 206/214 X
5,337,904 8/1994 Goldberg 211/13

[**] **Term: 14 Years**

OTHER PUBLICATIONS

[21] **Appl. No.: 14,909**

Home Furnishings Review Feb. 1938, p. 43, Double Decker Hostess Tray.

[22] **Filed: Nov. 4, 1993**

[52] **U.S. Cl. D6/461; D6/457**

Primary Examiner—Alan P. Douglas

[58] **Field of Search D6/470, 471, 472, 455, D6/457-461, 429-431; D7/558, 707, 708, 590; 206/214; 211/13, 77, 74, 70; D19/85**

Assistant Examiner—Jeffrey Asch

Attorney, Agent, or Firm—Allan M. Shapiro

[56] **References Cited**

[57] **CLAIM**

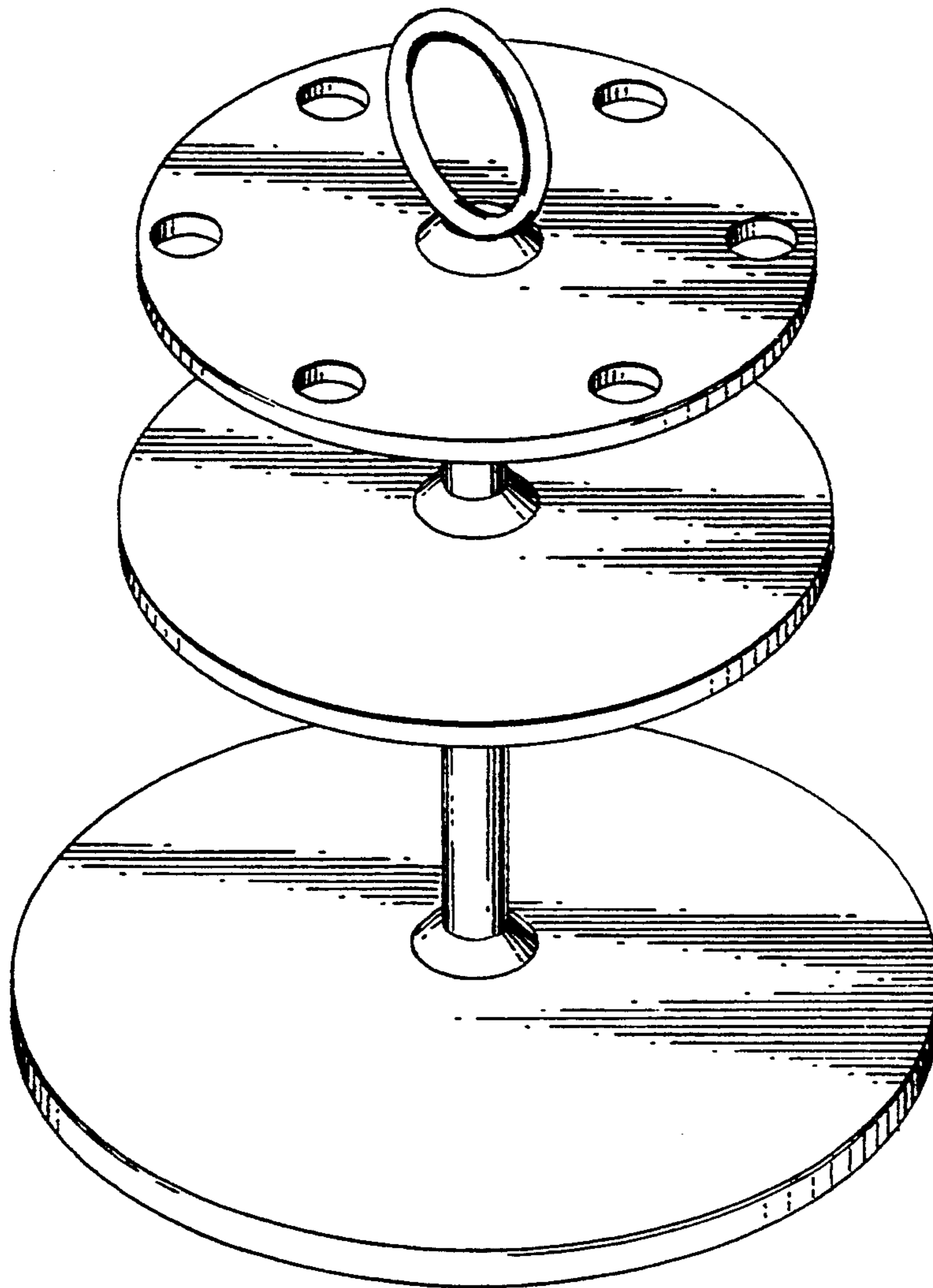
U.S. PATENT DOCUMENTS

The ornamental design for a display rack, as shown and described.

- D. 107,756 1/1938 Erickson D6/460
- D. 200,117 1/1965 Kolarik D7/590
- D. 211,295 6/1968 Wolf D19/85
- D. 214,848 8/1969 Avedon D7/707
- D. 275,154 8/1984 Stoiber D6/461 X
- D. 341,276 11/1993 Jones D6/457

DESCRIPTION

FIG. 1 is a top perspective view of a display rack, showing my new design;
FIG. 2 is an enlarged side elevational view thereof; and,
FIG. 3 is a bottom perspective view thereof.



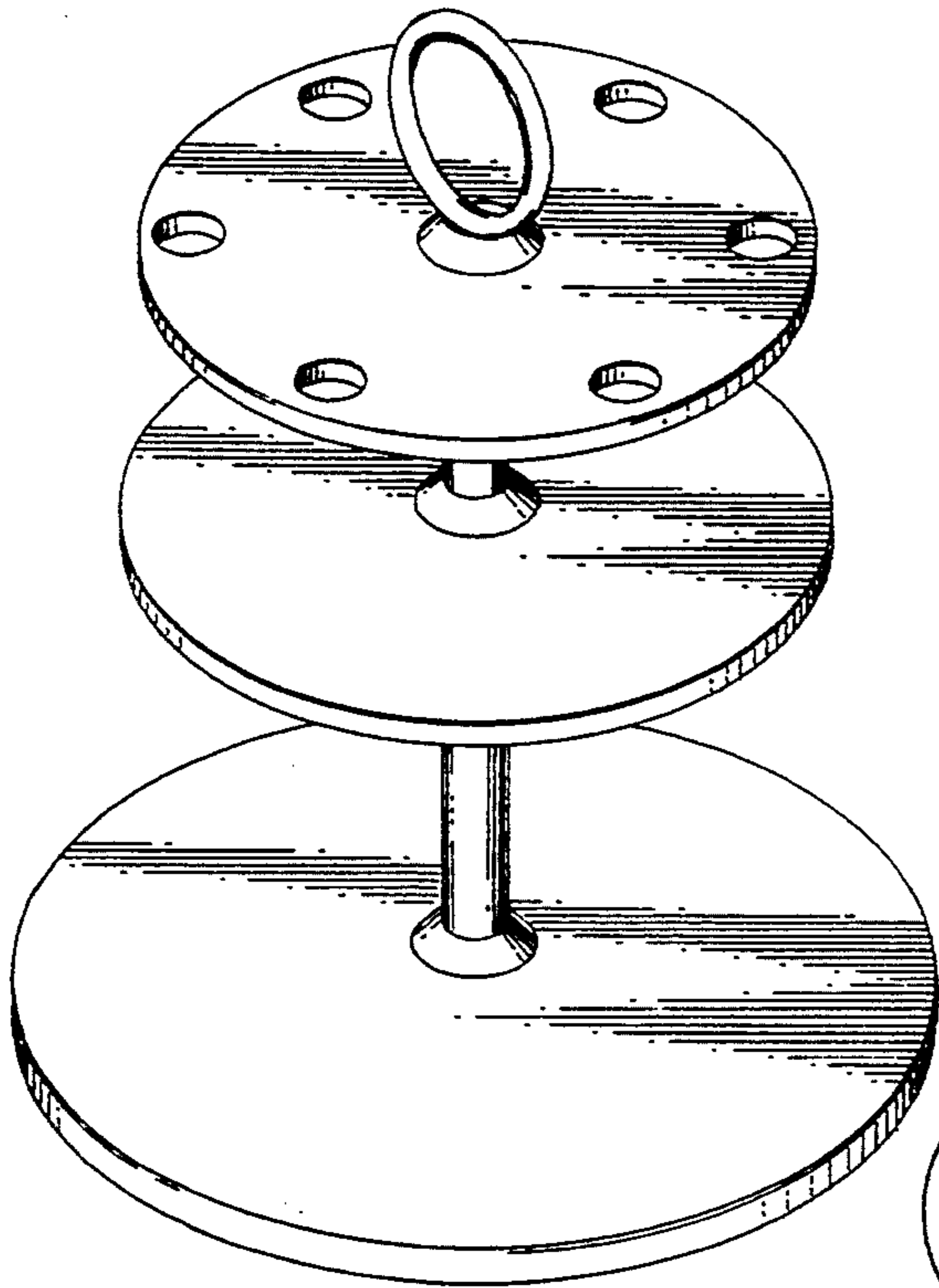


FIG. 1

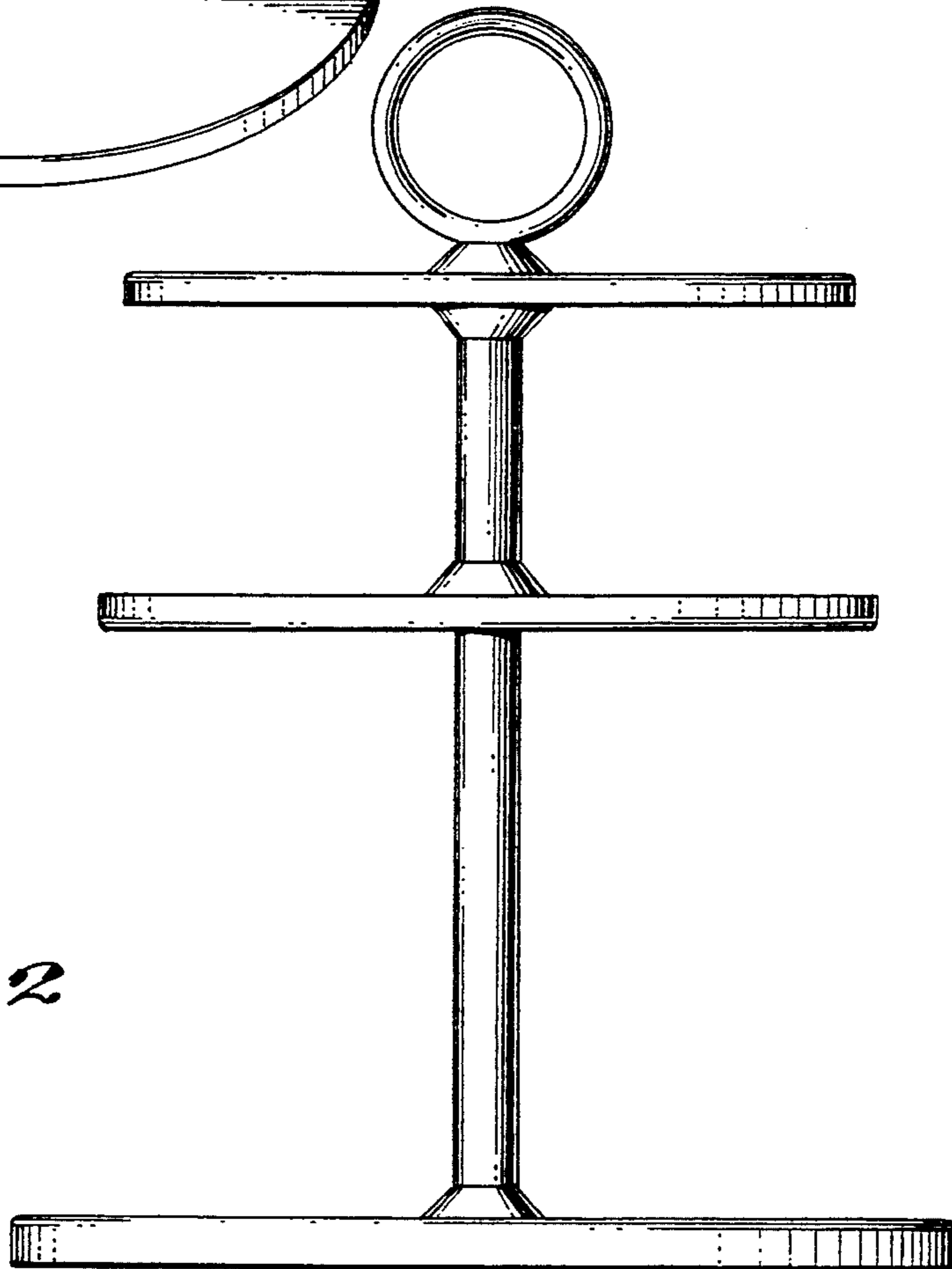


FIG. 2

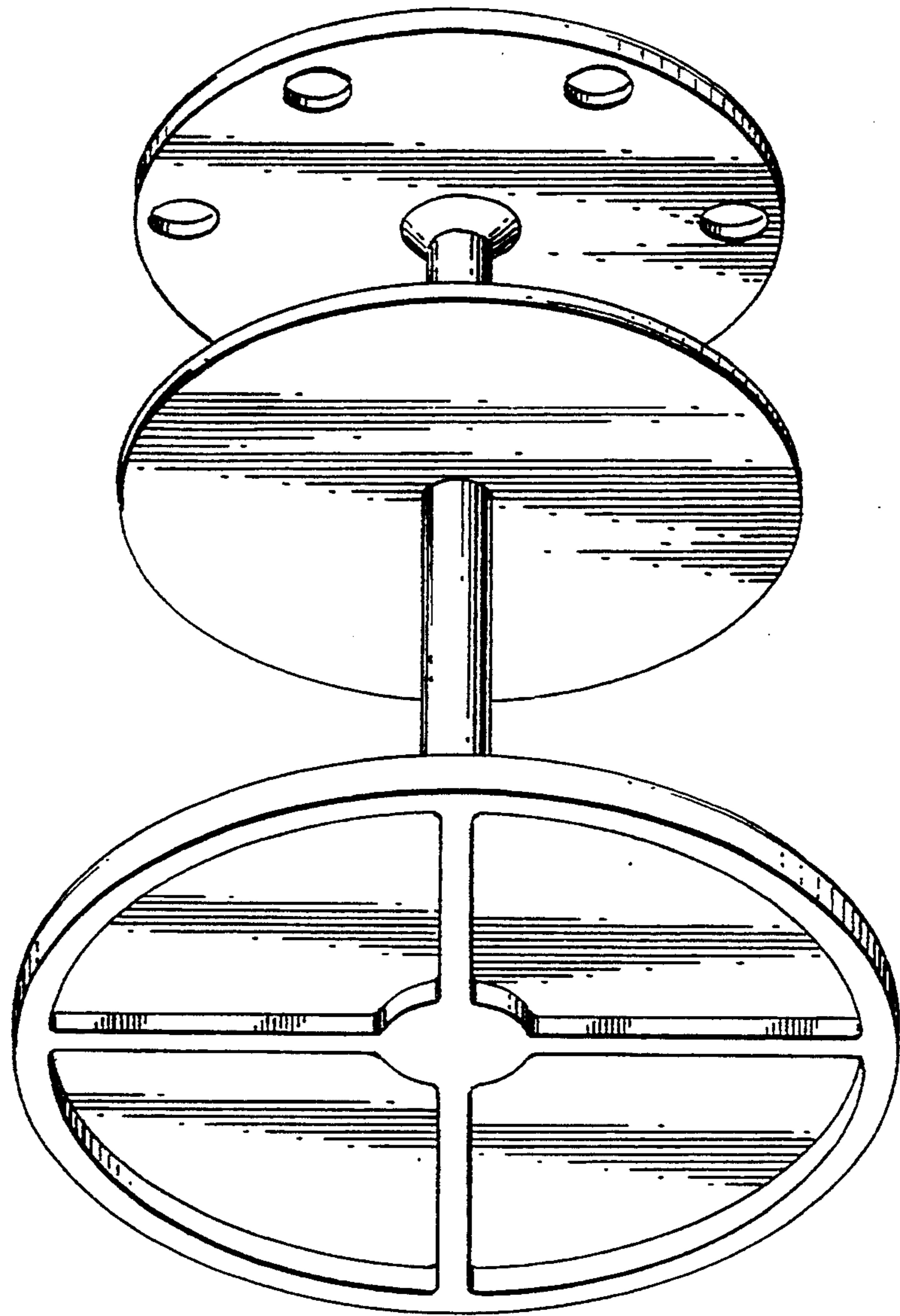


FIG. 3