



US00D354859S

**United States Patent** [19]  
**Hsu**

[11] **Patent Number: Des. 354,859**  
[45] **Date of Patent: \*\* Jan. 31, 1995**

[54] **COLLAPSABLE WORKCHAIR**

[76] **Inventor:** Chun-Li Hsu, No. 426, Tou-Yuan E. Rd., Ho-Feng Village, Pi-Tou Hsiang, Chang-Hua Hsien, Taiwan, Prov. of China

[\*\*] **Term:** 14 Years

[21] **Appl. No.:** 14,280

[22] **Filed:** Oct. 19, 1993

[52] **U.S. Cl. ....** D6/368; D6/349

[58] **Field of Search ....** D6/334, 335, 336, 349, D6/368, 371, 373, 500, 501, 502; 297/54, 423.41

[56] **References Cited**

**U.S. PATENT DOCUMENTS**

- D. 251,639 4/1979 Colby ..... D6/368 X
- D. 287,083 12/1986 Macedonio ..... D6/502
- D. 294,901 3/1988 Partin ..... D6/502
- D. 321,796 11/1991 Forrand ..... D6/349 X

**OTHER PUBLICATIONS**

Howell catalog, Feb. 16, 1938, p. 8, Bench at bottom left.

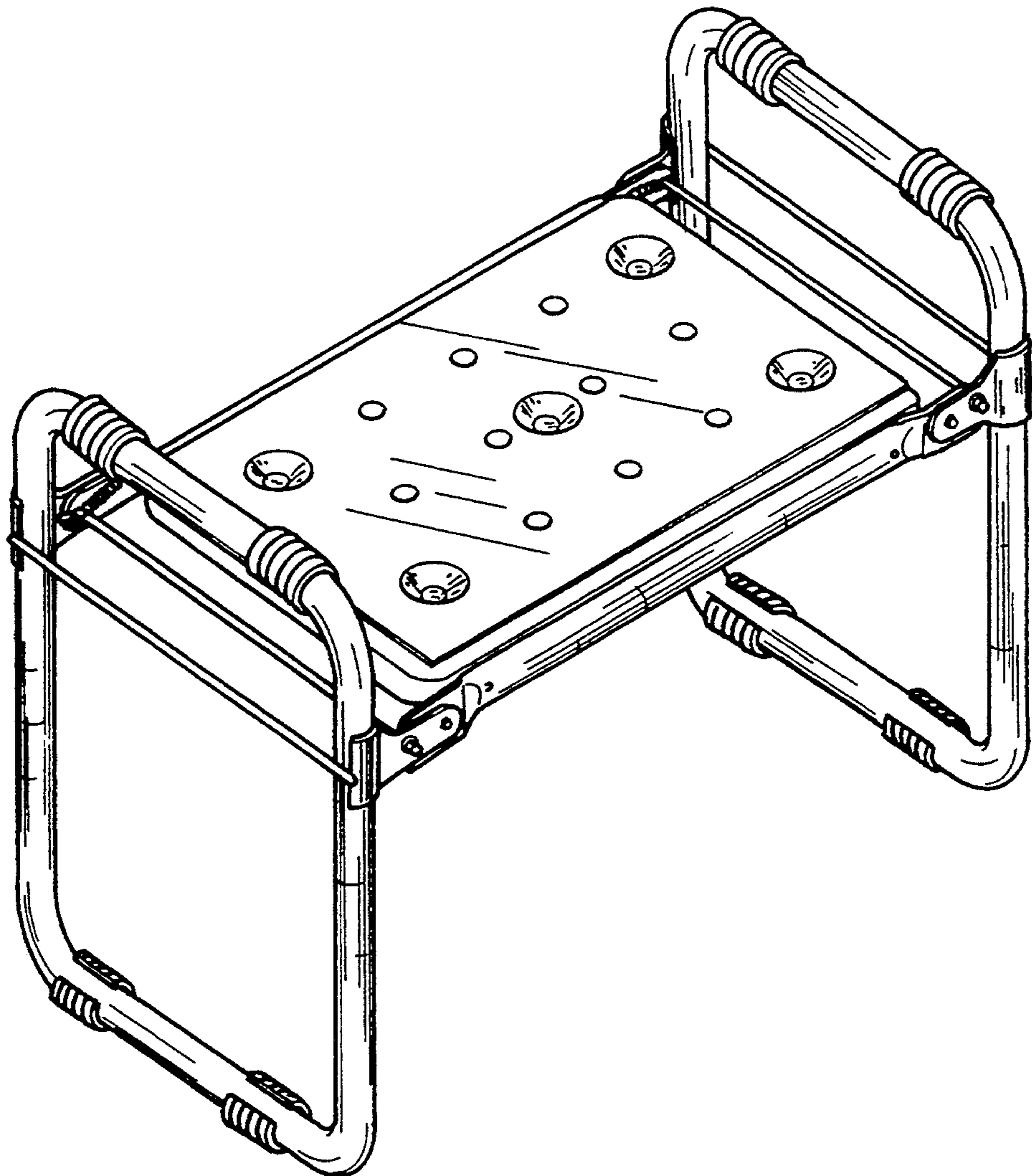
*Primary Examiner*—Alan P. Douglas  
*Assistant Examiner*—Gary D. Watson  
*Attorney, Agent, or Firm*—Bacon & Thomas

[57] **CLAIM**

The ornamental design for a collapsible workchair, as shown and described.

**DESCRIPTION**

FIG. 1 is a perspective view of collapsible workchair showing my new design thereof;  
FIG. 2 is a front elevational view, the rear elevational view being a mirror image thereof;  
FIG. 3 is a right side elevation view, the left side being a mirror image thereof; and,  
FIG. 4 is a top plan view, the bottom plan being a mirror image thereof.



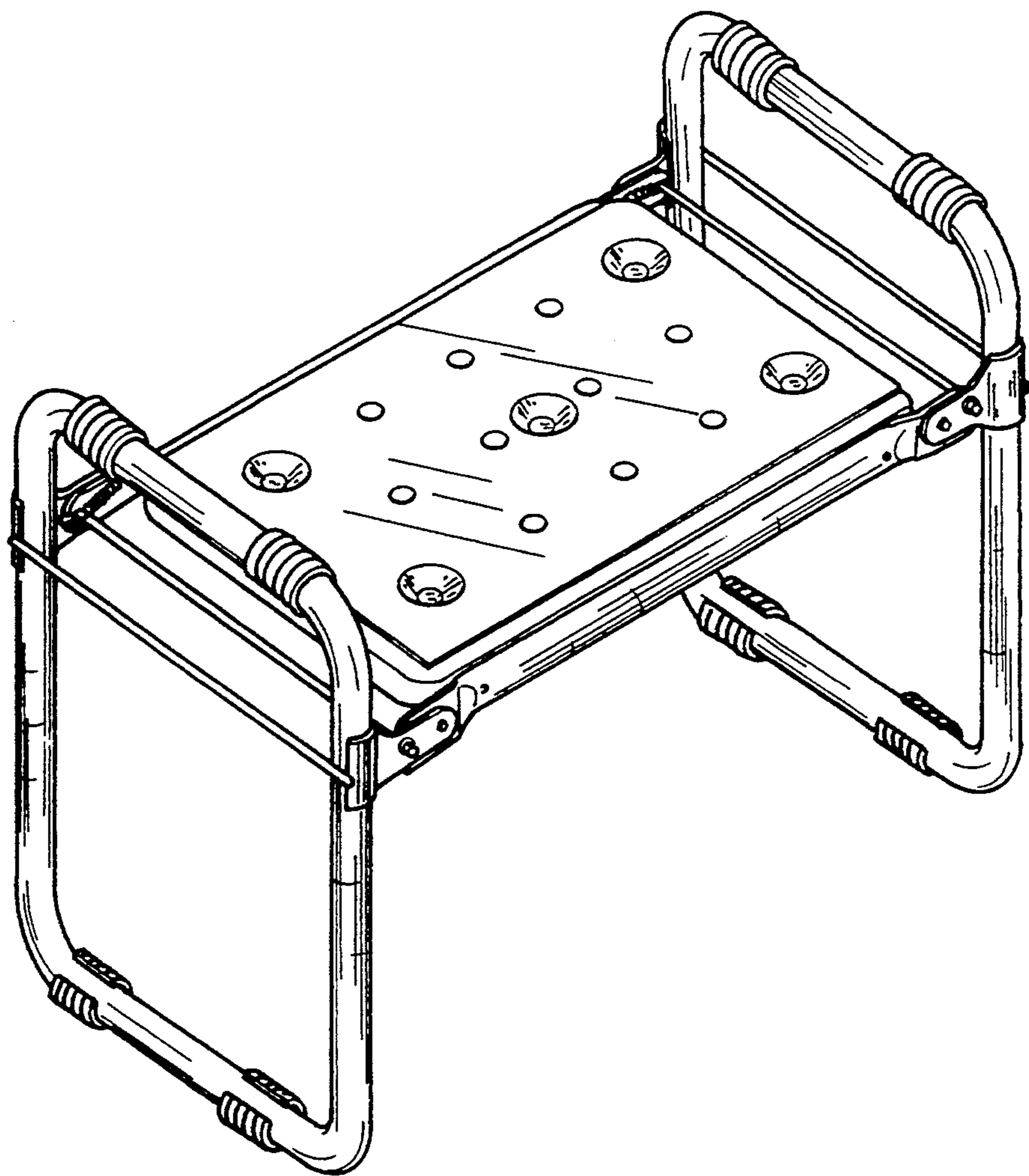


Fig. 1

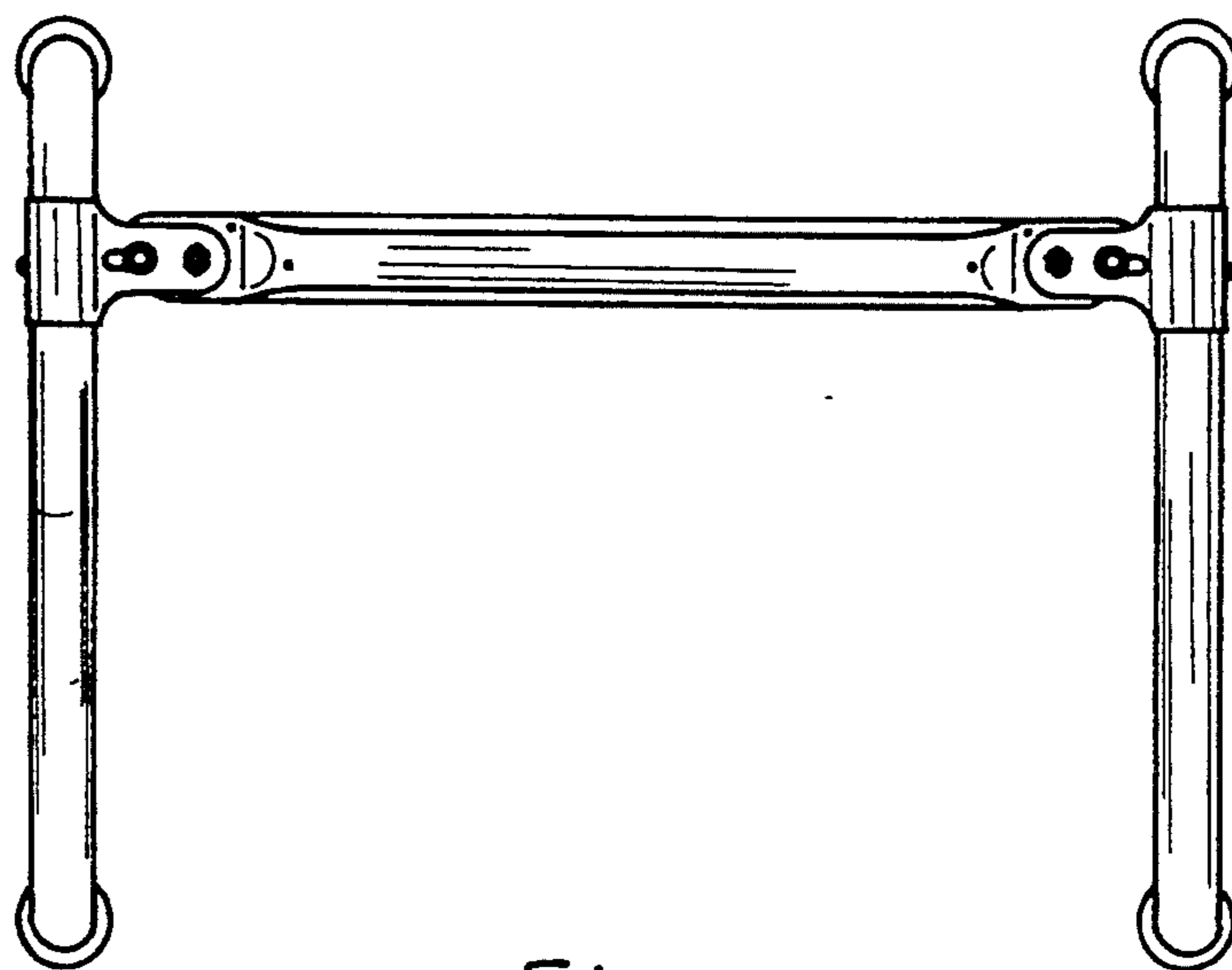


Fig. 2

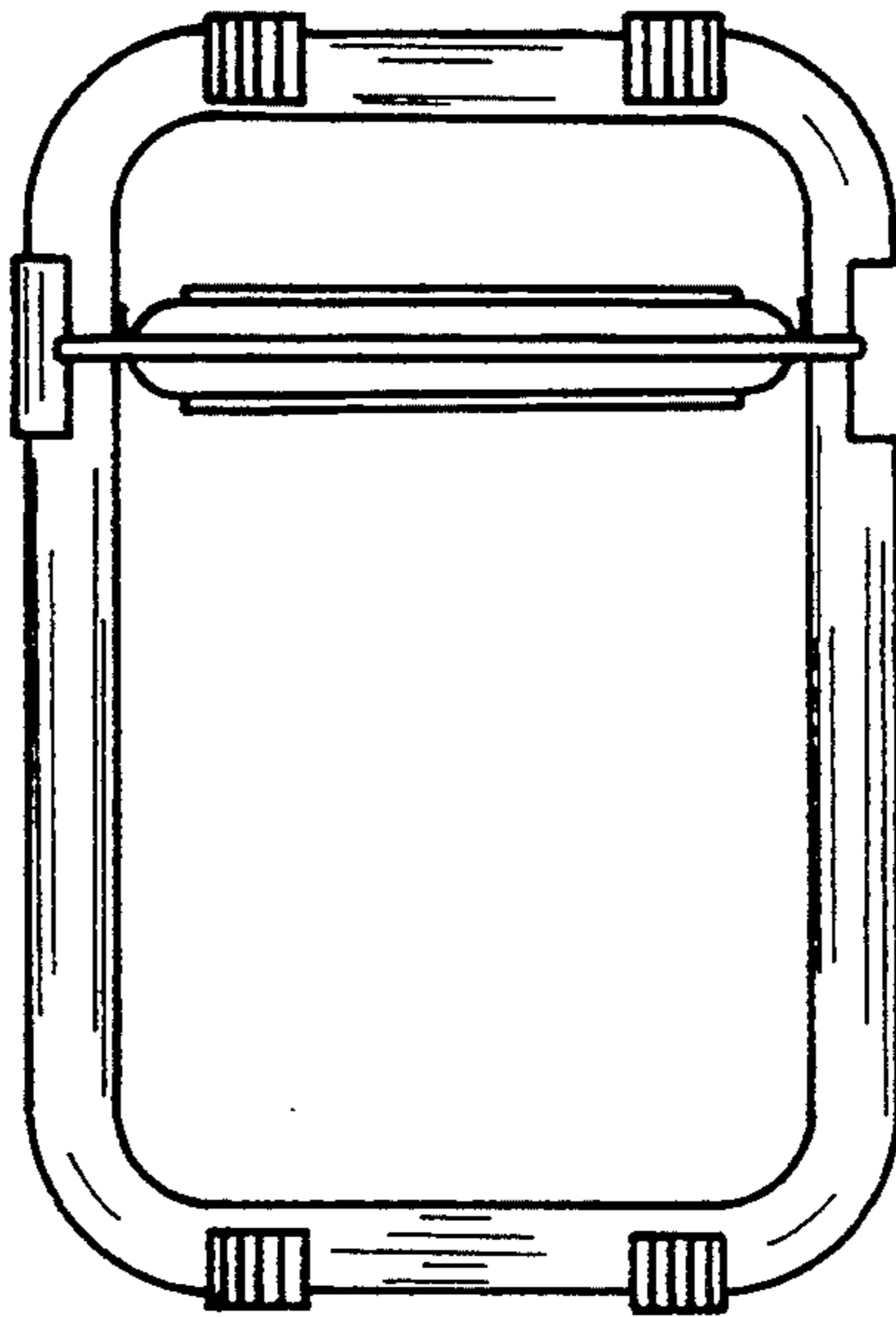


Fig. 3

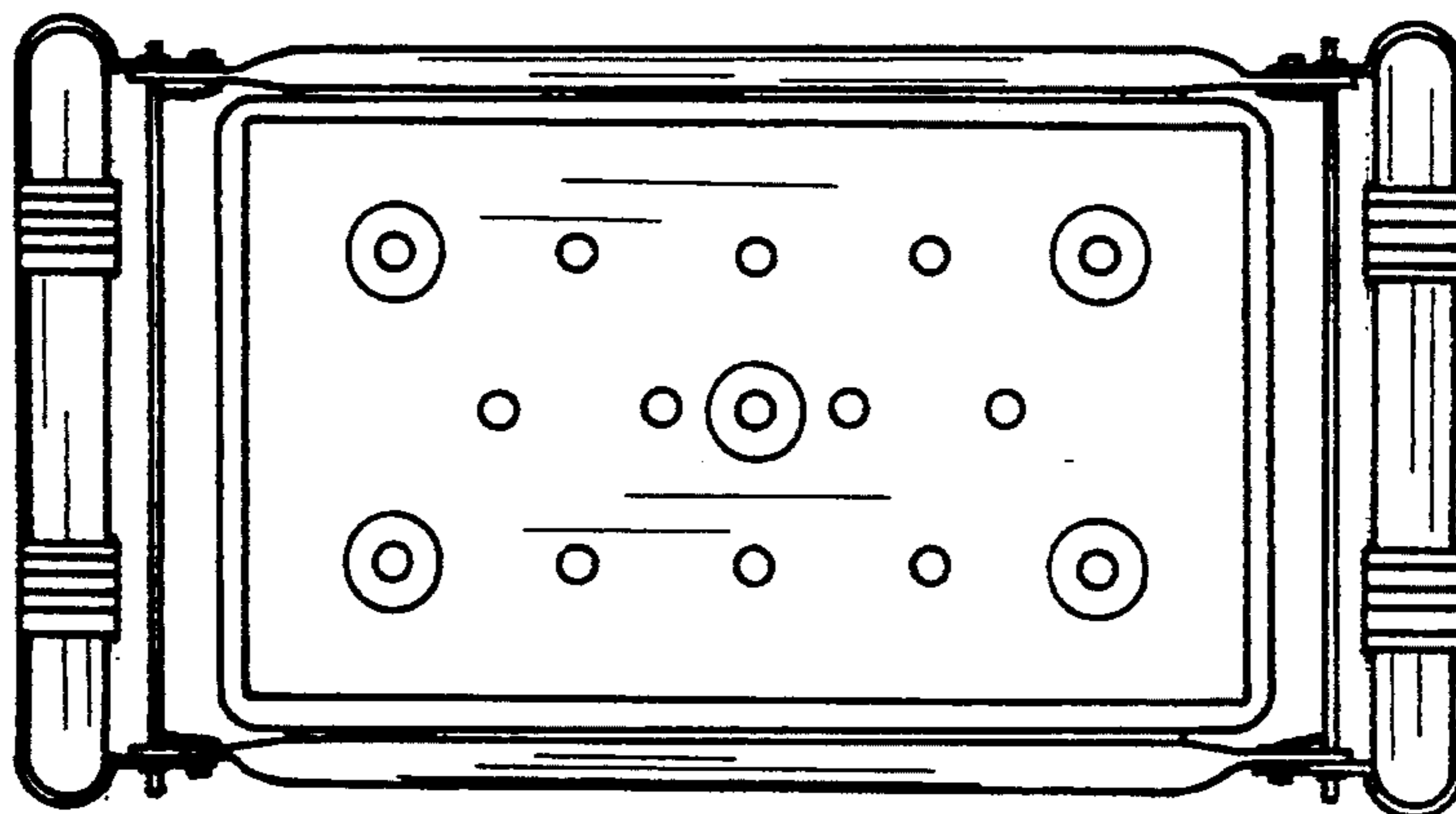


Fig. 4