



US00D354852S

United States Patent [19]

[11] Patent Number: **Des. 354,852**

Goddard et al.

[45] Date of Patent: **** Jan. 31, 1995**

[54] **GOLF BAG COVER**

5,024,259	6/1991	Treadway	206/315.4 X
5,099,897	3/1992	Curtin	150/159
5,131,442	7/1992	Bevier	206/315.4 X

[75] Inventors: **Frank H. Goddard**, Seaforth, Canada;
Diana Caldwell, 120 West William Street, P.O. Box 163, Seaforth, Ontario, Canada, N0K 1W0

Primary Examiner—A. Hugo Word
Assistant Examiner—Doris V. Coles
Attorney, Agent, or Firm—Daryl W. Schnurr

[73] Assignee: **Diana Caldwell**, Seaforth, Canada

[57] **CLAIM**

[**] Term: **14 Years**

The ornamental design for a golf bag cover, as shown and described.

[21] Appl. No.: **824,458**

[22] Filed: **Jan. 22, 1992**

DESCRIPTION

[52] U.S. Cl. **D3/255**

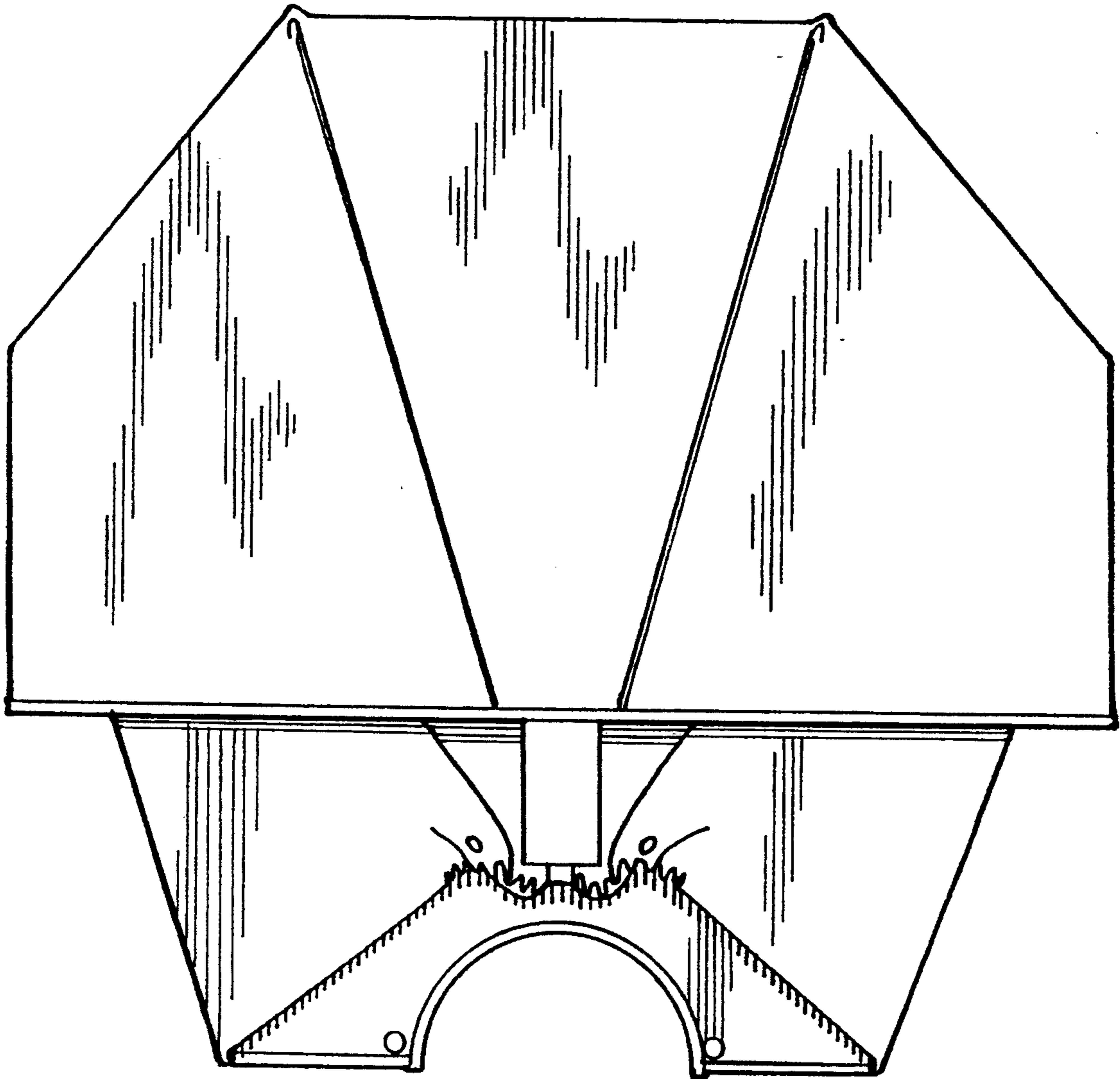
[58] Field of Search **D3/36, 37; 150/159, 150/160; 206/315.2, 315.3, 315.4**

FIG. 1 is a front elevational view of a golf bag cover in the folded position, showing my new design;
FIG. 2 is a front elevational view in use;
FIG. 3 is a rear elevational view thereof;
FIG. 4 is a front elevational view with the hood raised;
FIG. 5 is a top plan view with the hood lowered; and,
FIG. 6 is a side elevational view, the opposite side being a mirror image thereof.

[56] **References Cited**

U.S. PATENT DOCUMENTS

4,234,025	11/1980	Berge	D3/37 X
4,442,937	4/1984	Delauder	206/315.4



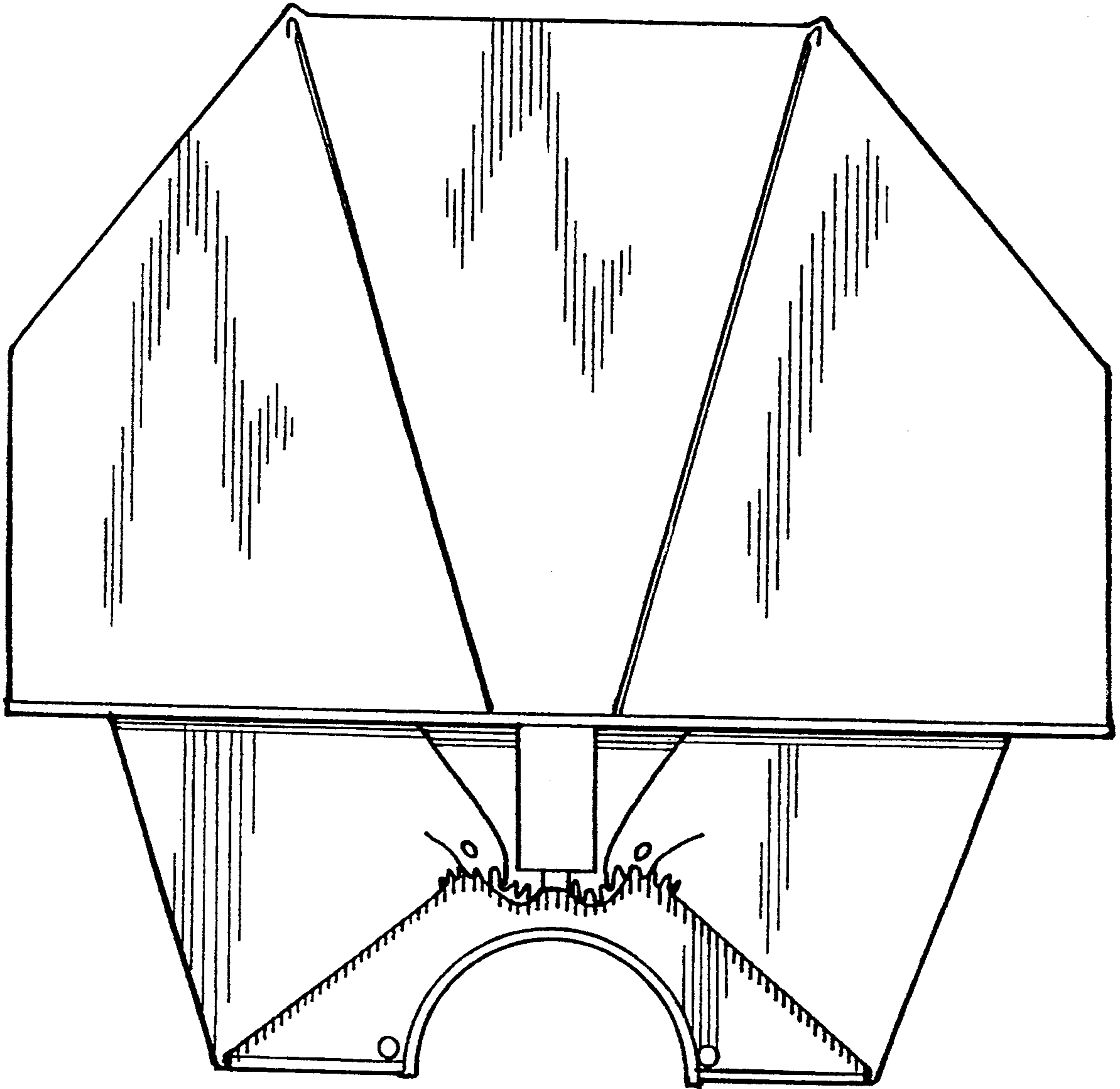


FIGURE 1

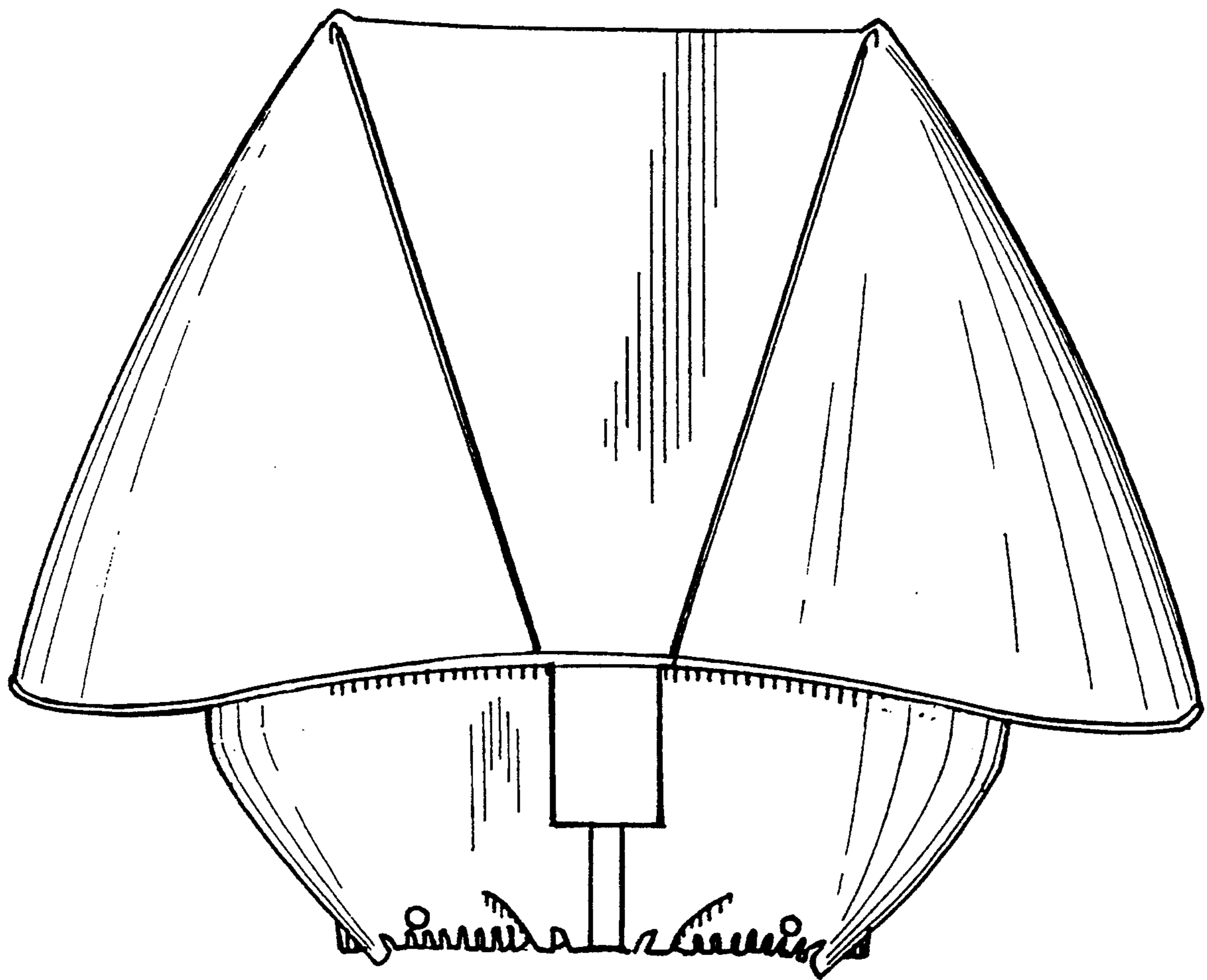


FIGURE 2

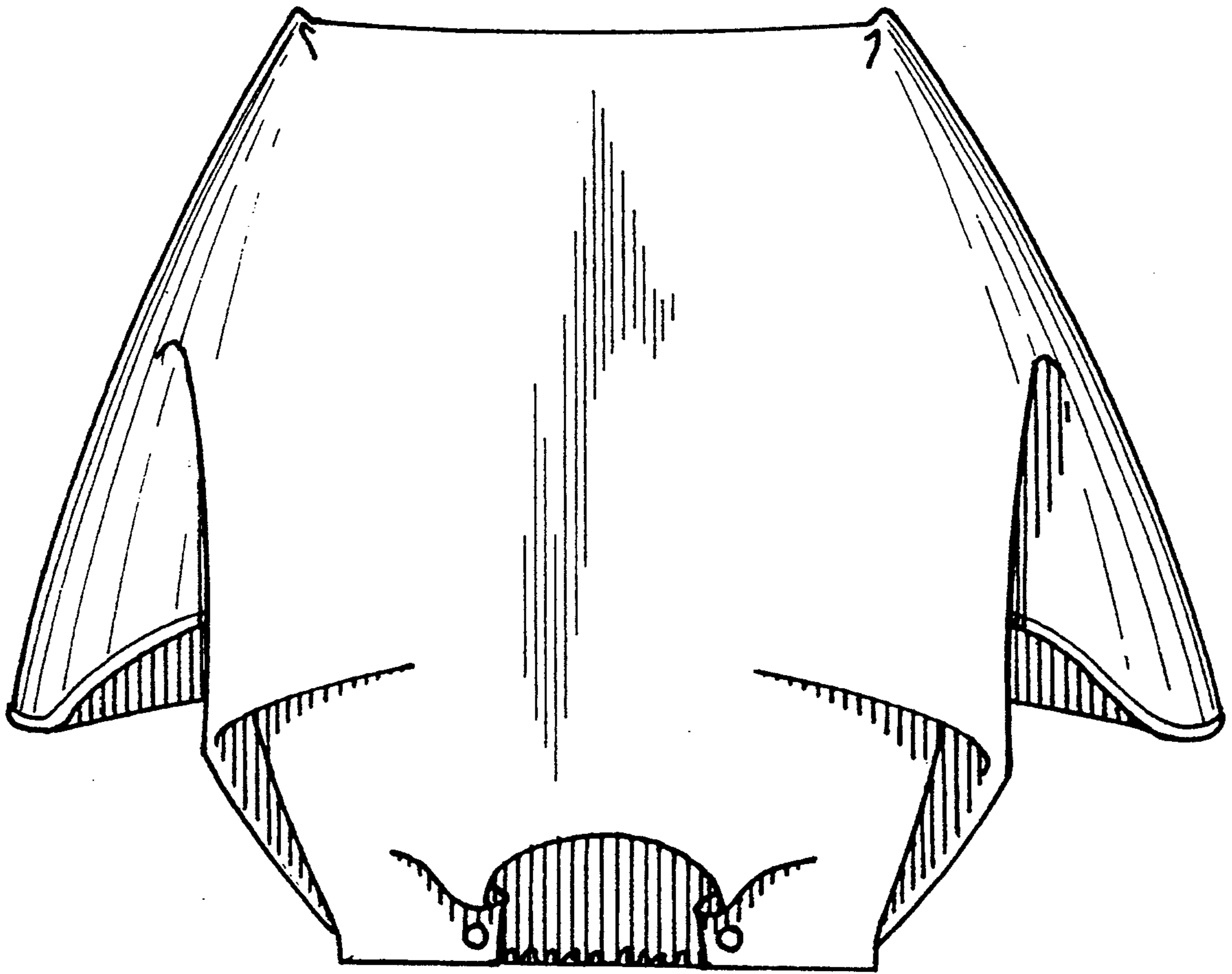


FIGURE 3

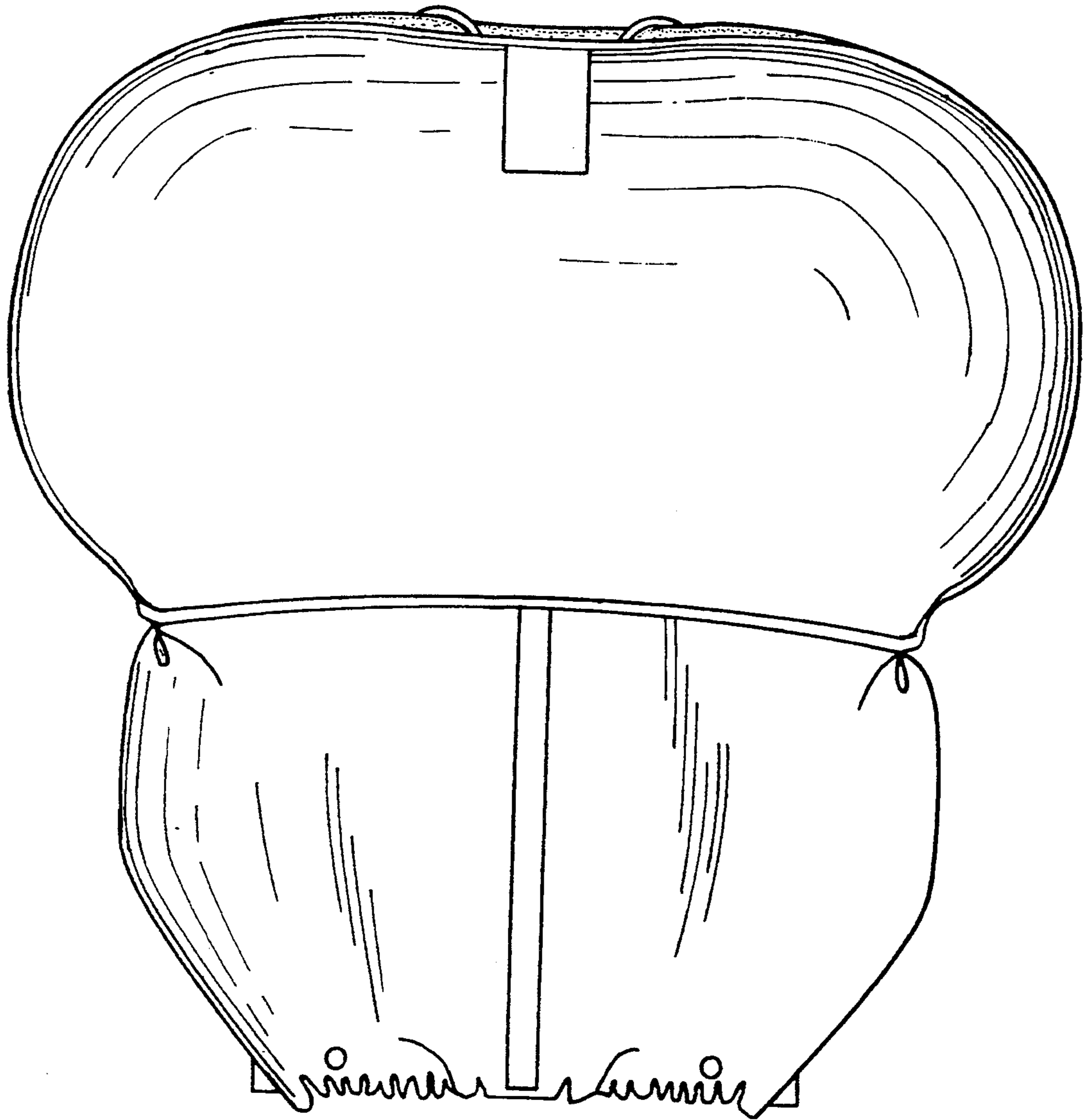


FIGURE 4

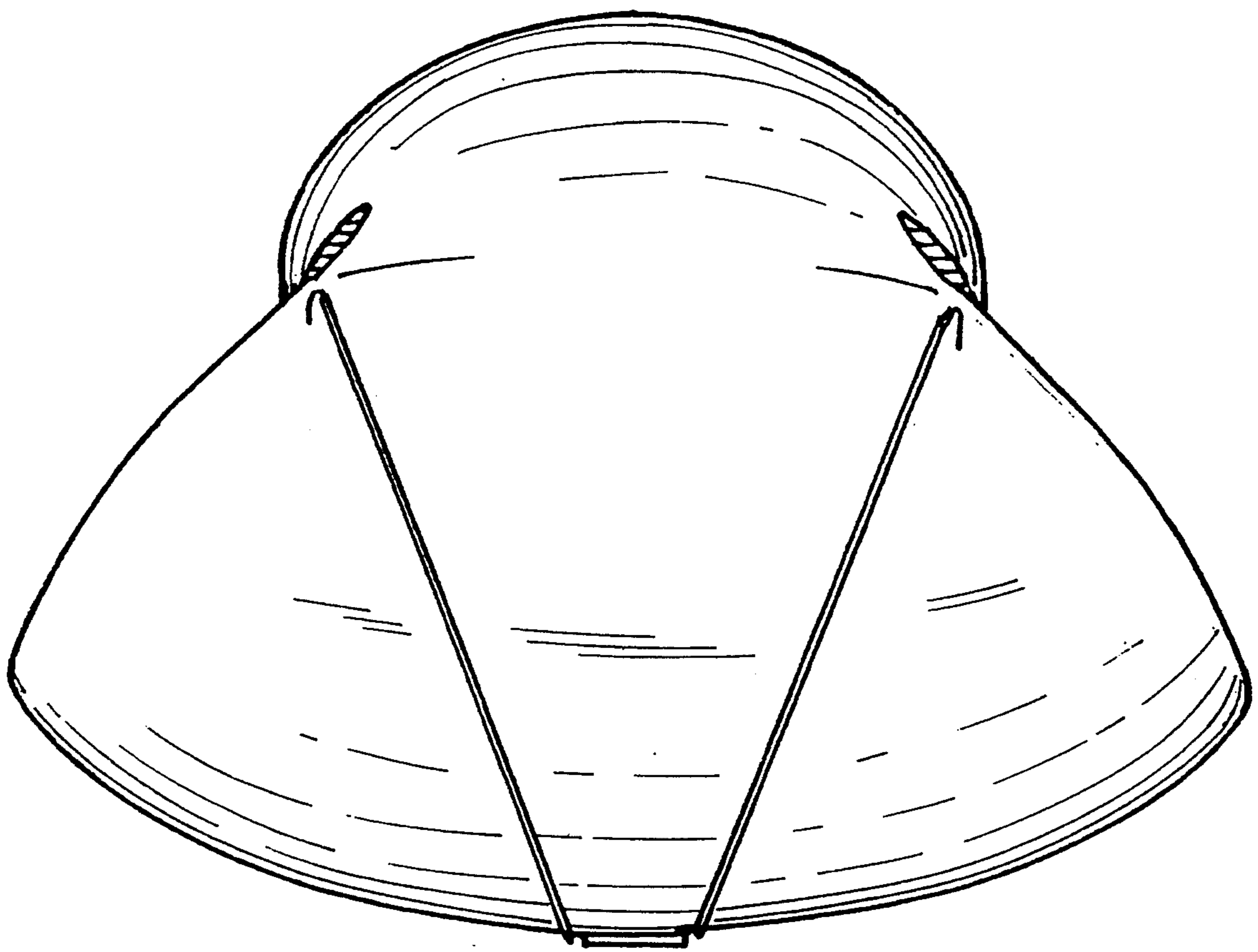


FIGURE 5

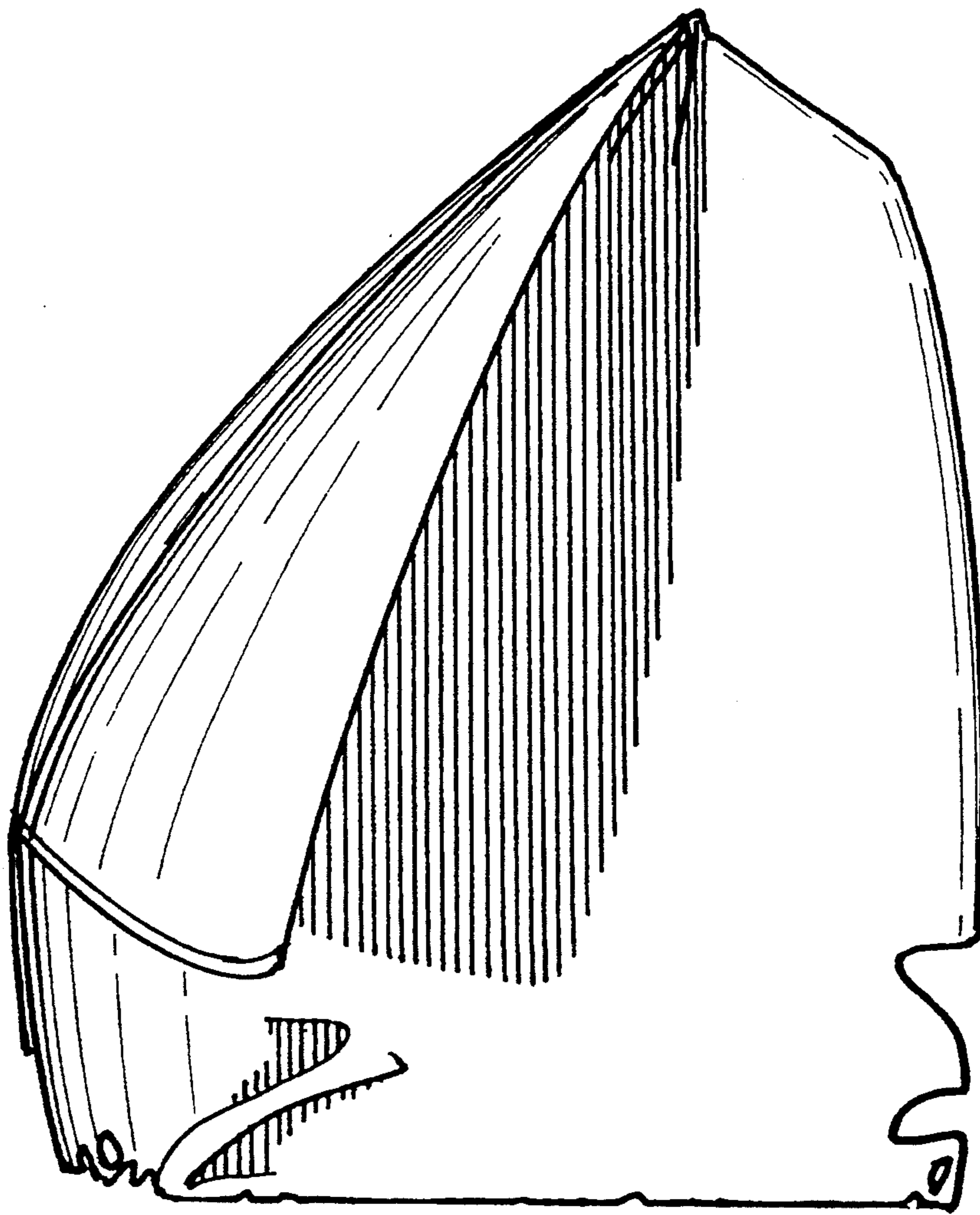


FIGURE 6