



US00D354848S

United States Patent [19]

Lovell

[11] Patent Number: **Des. 354,848**

[45] Date of Patent: **** Jan. 31, 1995**

[54] **COSMETIC BOX**

[75] Inventor: **Brian J. Lovell, San Diego, Calif.**

[73] Assignee: **Sassaby, Inc., San Diego, Calif.**

[**] Term: **14 Years**

[21] Appl. No.: **5,571**

[22] Filed: **Mar. 5, 1993**

[52] U.S. Cl. **D3/205; D3/901; D28/77**

[58] Field of Search **D3/205, 294, 901, 274; D28/76-78, 83; 206/235, 581, 823; 220/DIG. 26**

[56] **References Cited**

U.S. PATENT DOCUMENTS

D. 110,814 8/1938 Lewis D28/77

D. 179,756	2/1957	Bond	D3/205
D. 229,116	11/1973	Ishii	D28/83
D. 259,596	6/1981	Gray	D3/205
D. 273,427	4/1984	Barradas	D3/901 X
D. 285,128	8/1986	Yuen	D28/77 X
5,211,302	5/1993	Tiramani	206/581 X

Primary Examiner—Louis S. Zarfes

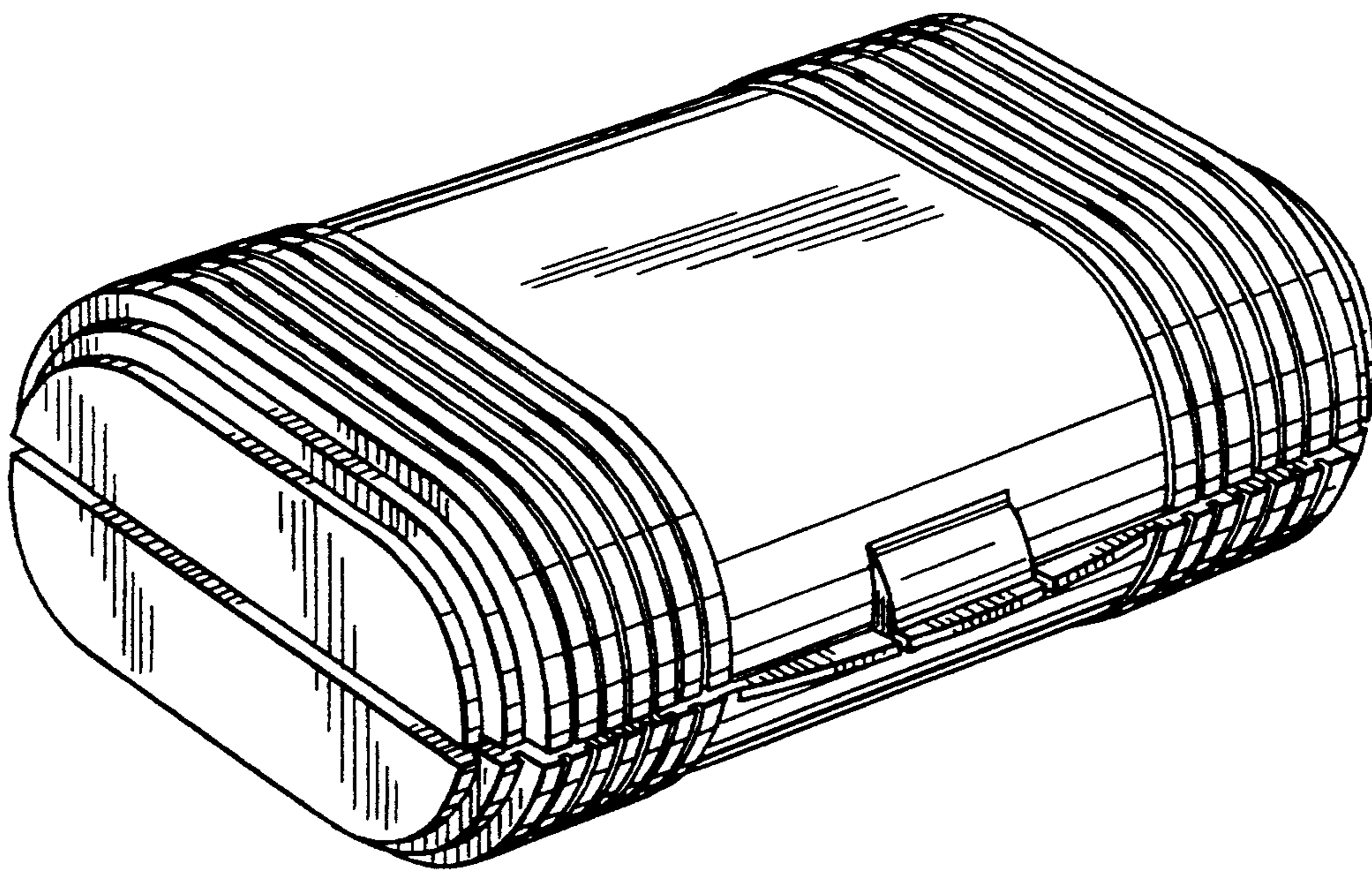
Attorney, Agent, or Firm—Brown, Martin, Haller & McClain

[57] **CLAIM**

The ornamental design for a cosmetic box, as shown.

DESCRIPTION

FIG. 1 is a left front perspective view of a cosmetic box, showing my new design;
 FIG. 2 is a right hand end elevational view thereof;
 FIG. 3 is a bottom plan view thereof; and,
 FIG. 4 is a rear elevational view thereof.



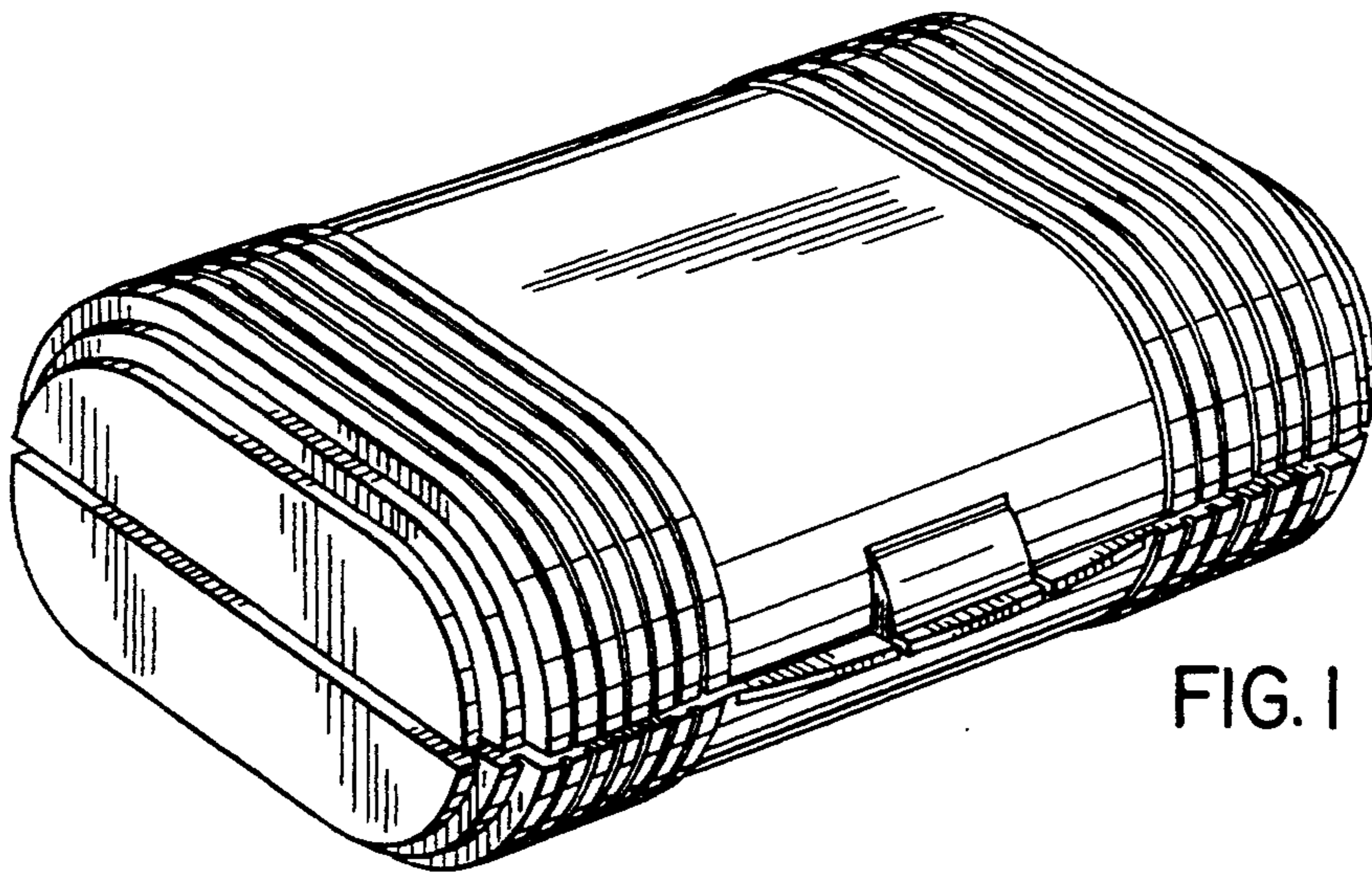


FIG. 1

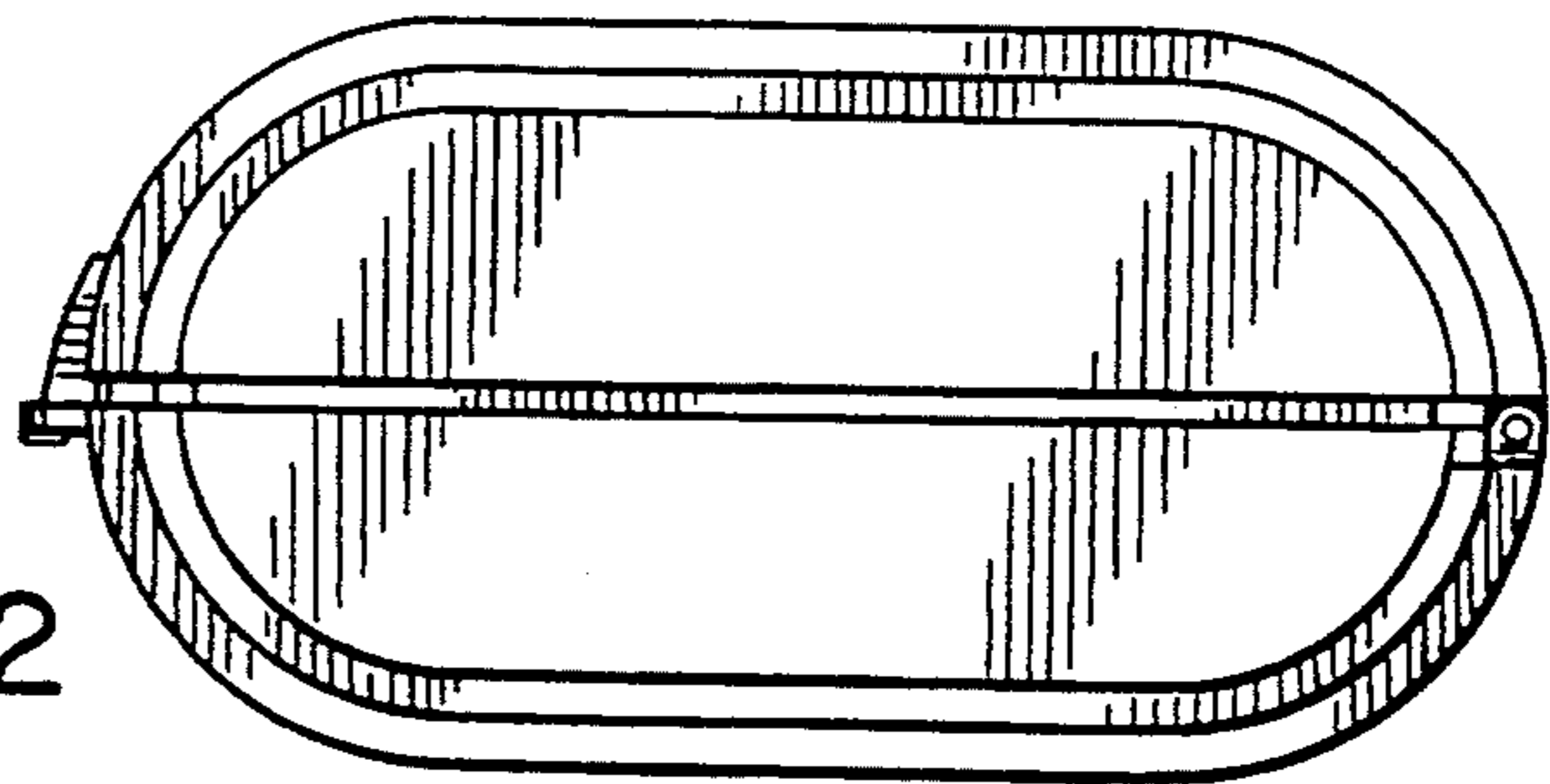


FIG. 2

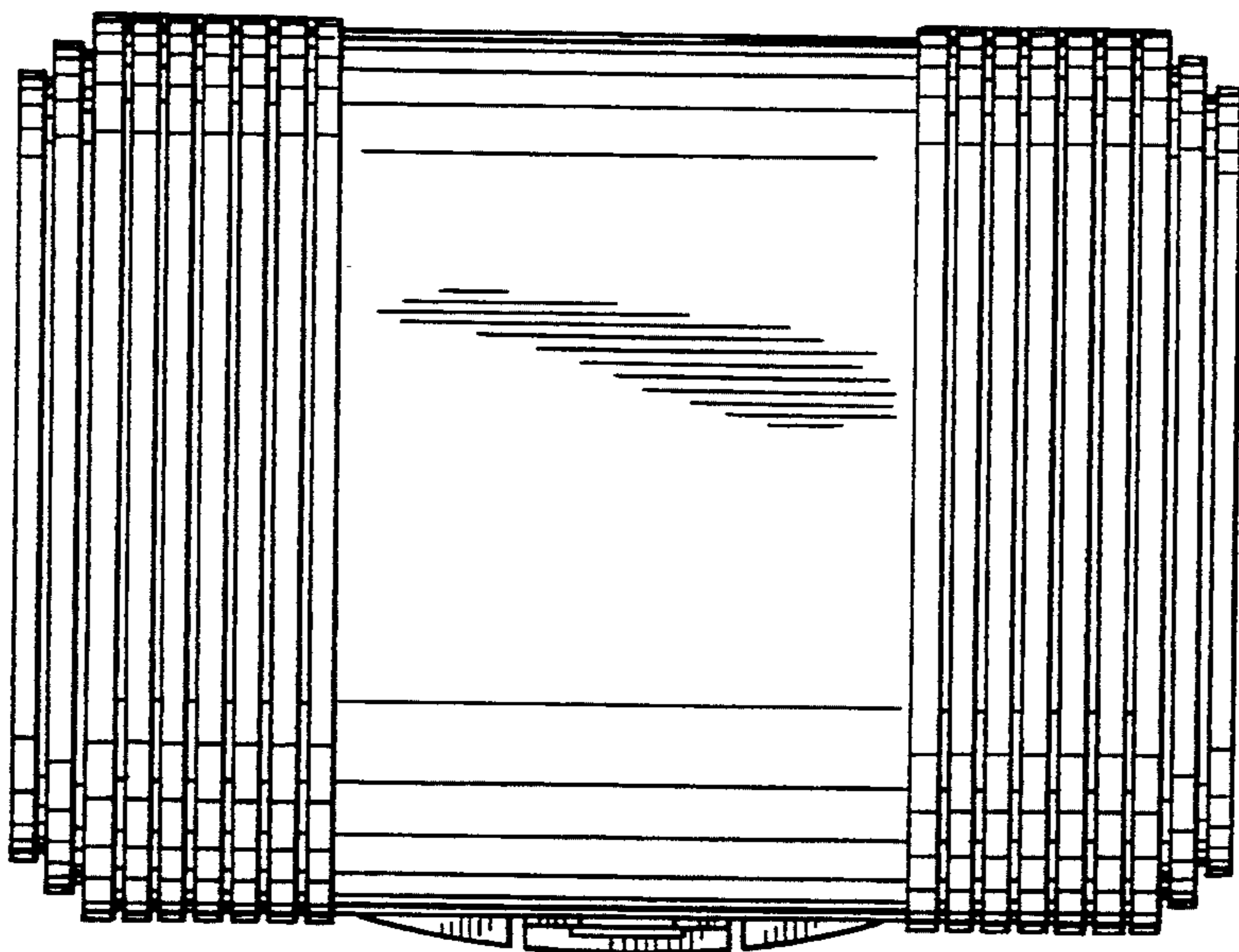


FIG. 3

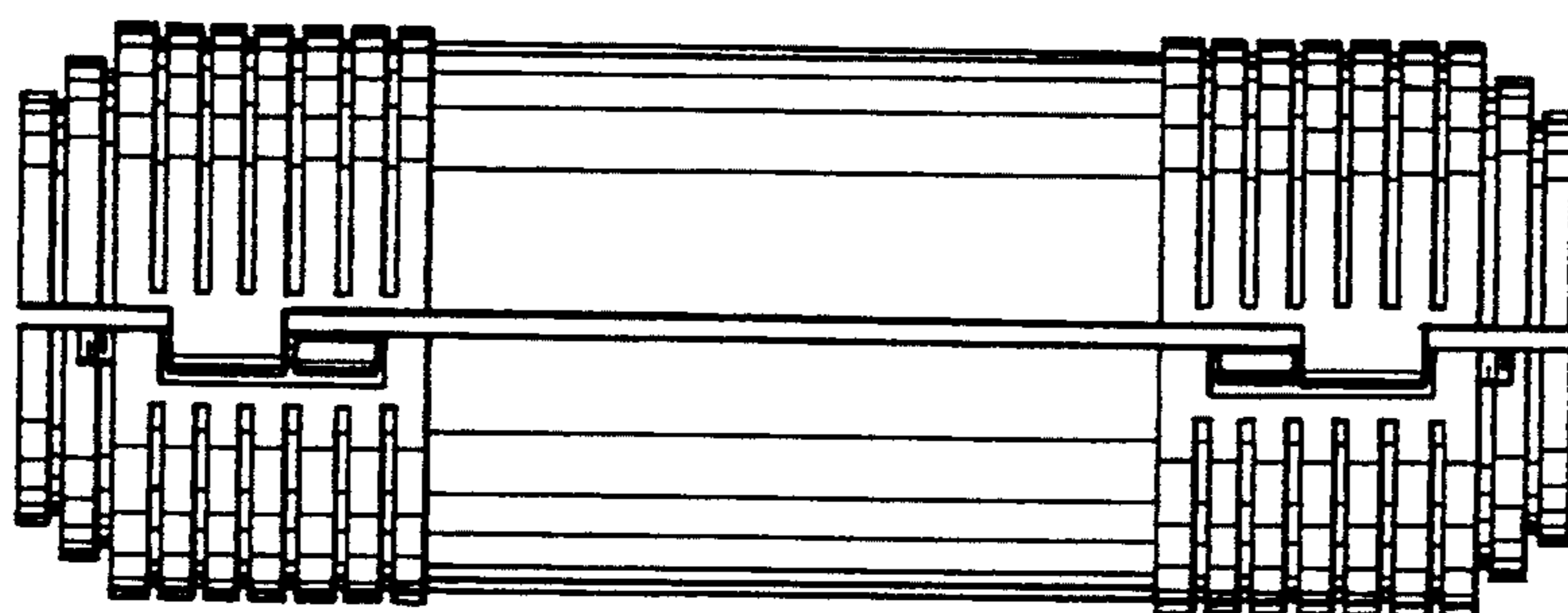


FIG. 4