



US00D354839S

United States Patent [19]

[11] Patent Number: **Des. 354,839**

Baudin

[45] Date of Patent: **** Jan. 24, 1995**

[54] **FRONT PLATE FOR A BANKNOTE VALIDATOR**

D. 331,996 12/1992 Fukutake et al. D99/28
D. 341,013 11/1993 Milliken D99/28

[75] Inventor: **Jean-Claude Baudin, Viry, France**

Primary Examiner—Alan P. Douglas

[73] Assignee: **Mars, Incorporated, McLean, Va.**

Assistant Examiner—J. H. Musgrove

[**] Term: **14 Years**

Attorney, Agent, or Firm—Davis Hoxie Faithfull & Hapgood

[21] Appl. No.: **15,797**

[57] **CLAIM**

[22] Filed: **Nov. 29, 1993**

The ornamental design for a front plate for a banknote validator, as shown and described.

[30] **Foreign Application Priority Data**

DESCRIPTION

Jun. 1, 1993 [WO] WIPO DM/026300

[52] U.S. Cl. **D99/99**

[58] Field of Search D99/28, 35, 30, 34;
194/206, 207; 235/379, 380; 109/24.1;
D14/102, 106, 115, 107; D20/1, 2, 3, 4, 5, 6

FIG. 1 is a top, front and side perspective view of a front plate for a banknote validator showing my new design;

FIG. 2 is a front view thereof;

FIG. 3 is a left side view thereof;

FIG. 4 is a right side view thereof;

FIG. 5 is a top view thereof; and,

FIG. 6 is a bottom view thereof.

[56] **References Cited**

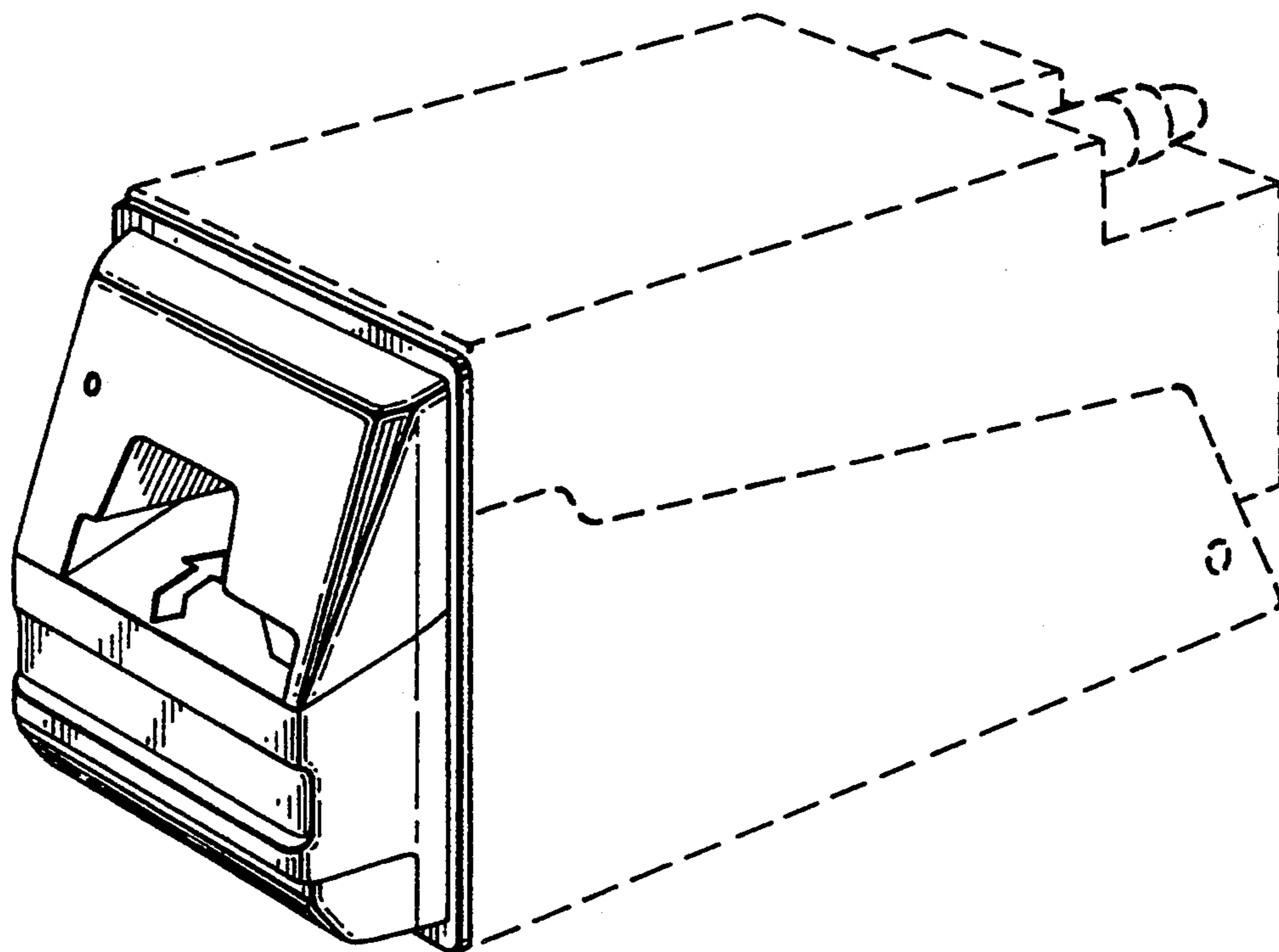
U.S. PATENT DOCUMENTS

D. 267,127 11/1982 Noel D99/35

D. 303,439 9/1989 Savio et al. D99/28

D. 326,756 6/1992 Milliken D99/28

The broken line showing of a banknote validator in the figures is for illustrative purposes only and forms no part of the claimed design.



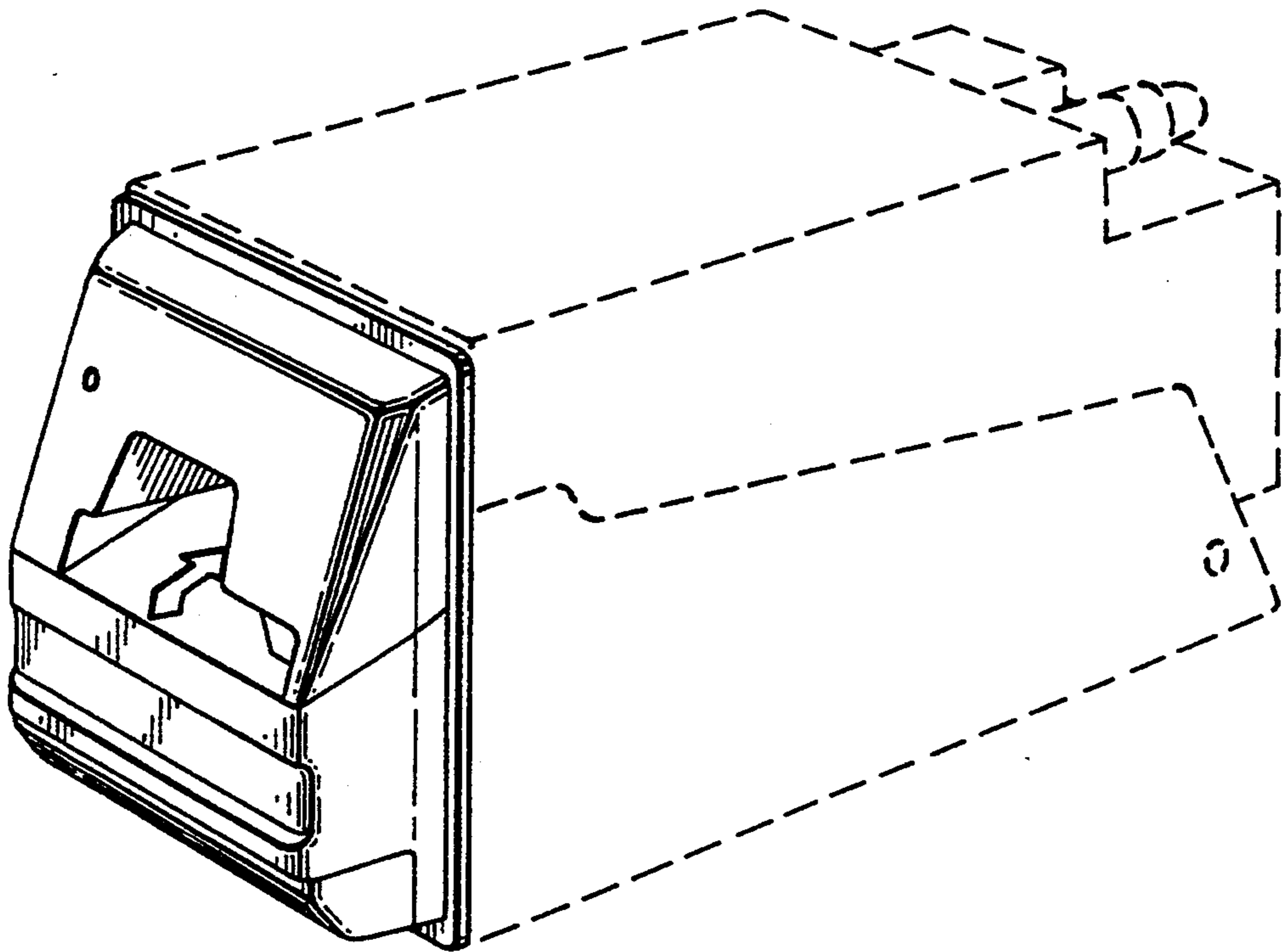


Fig. 1

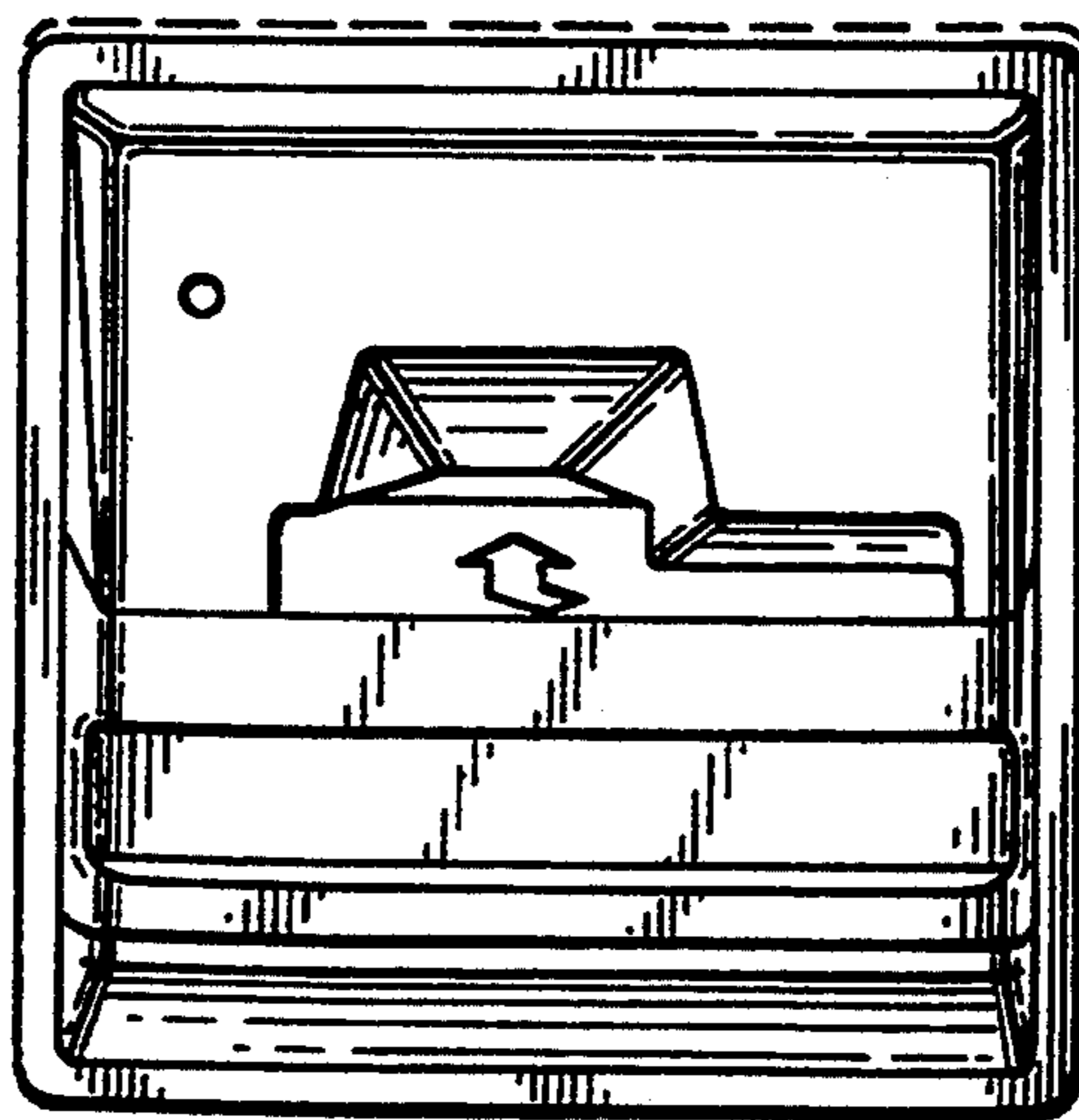


Fig. 2

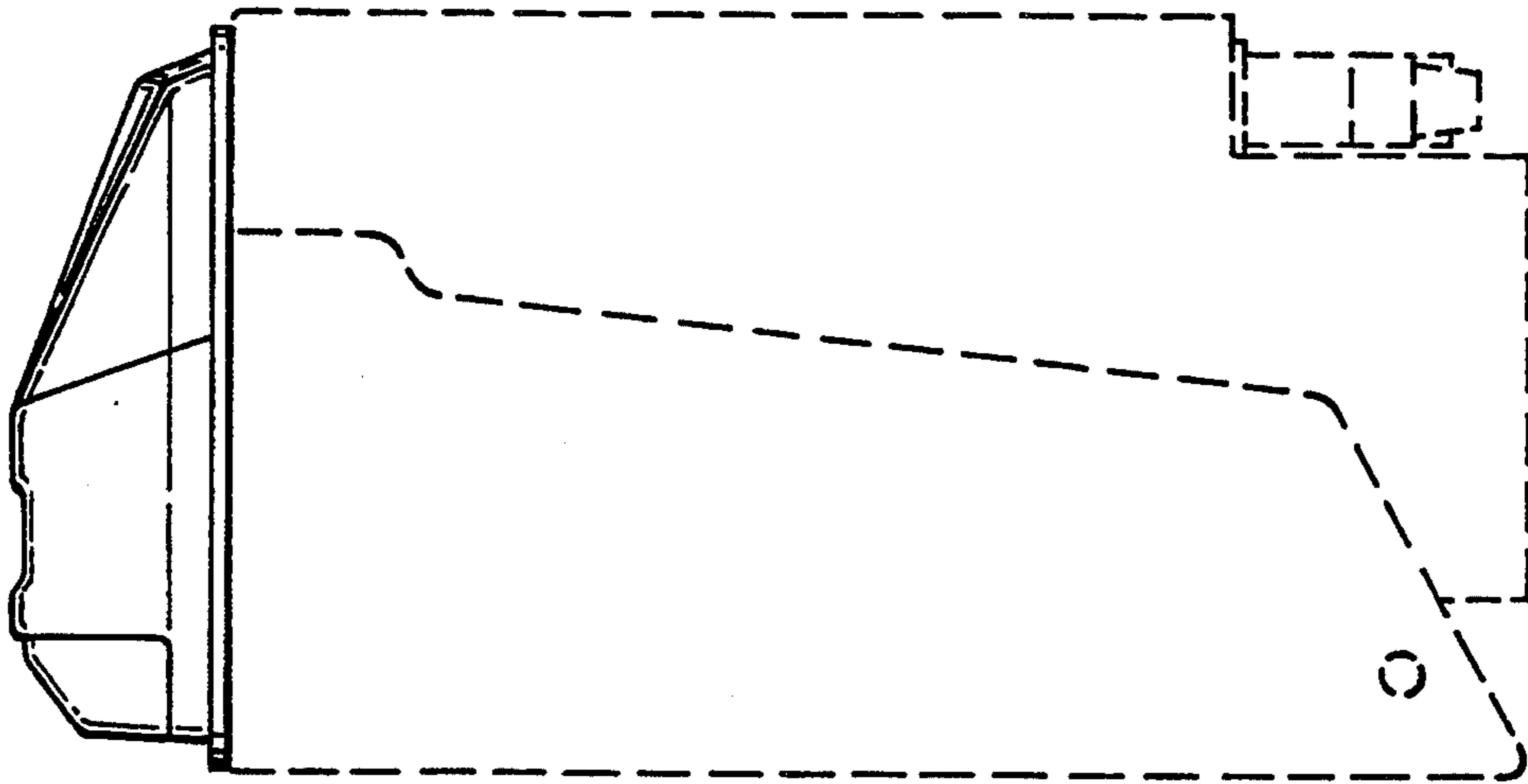


Fig. 3

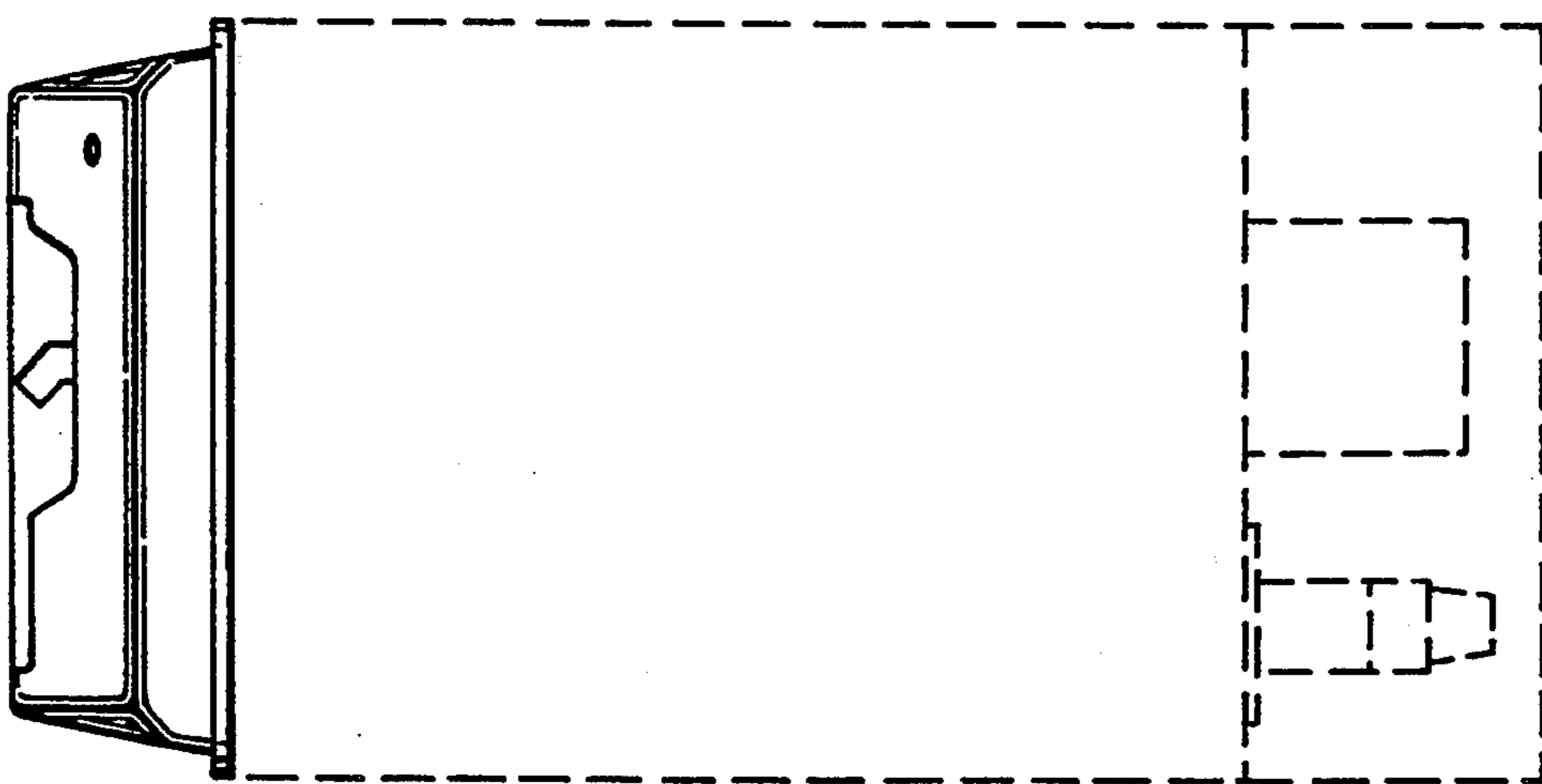


Fig. 5

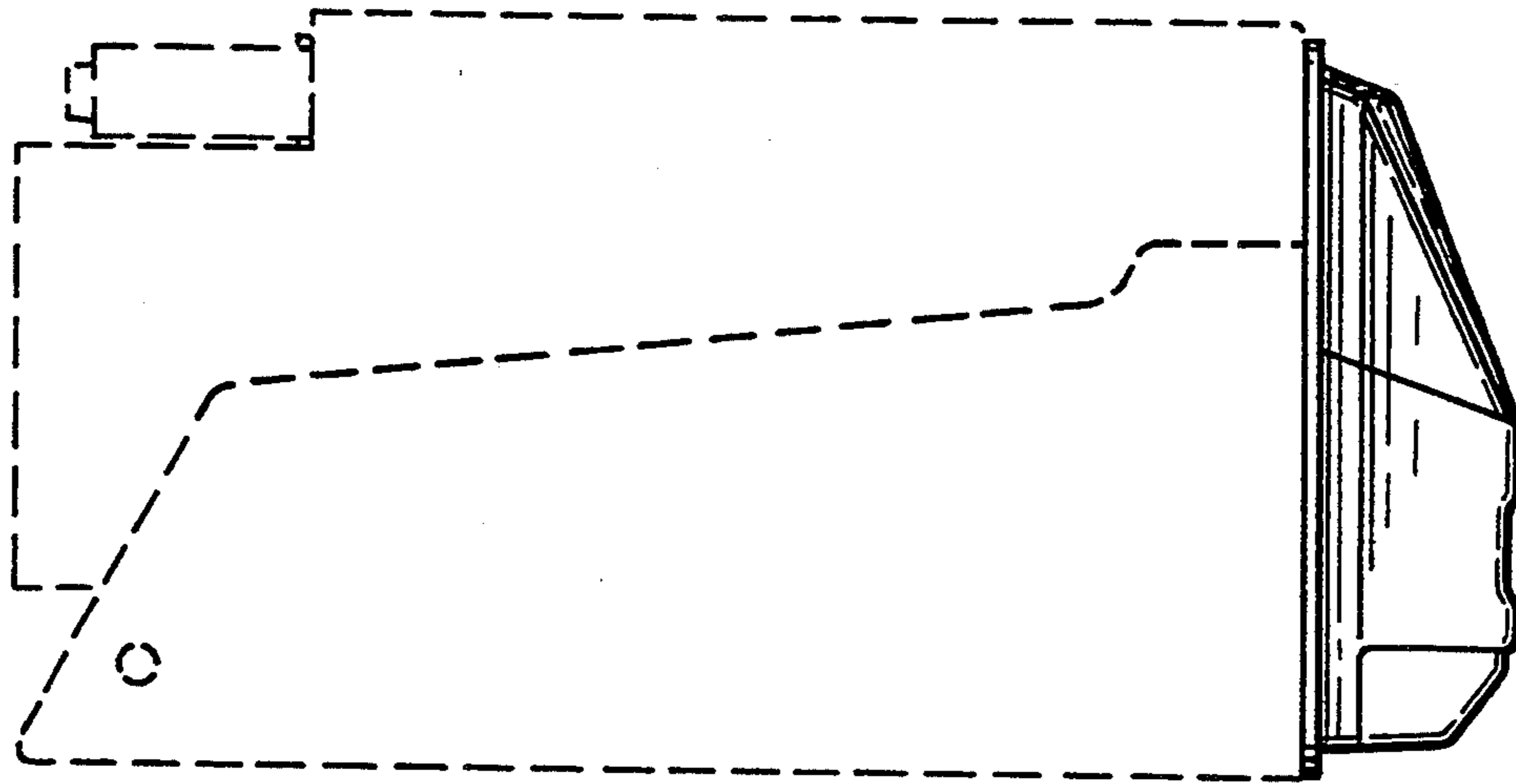


Fig. 4

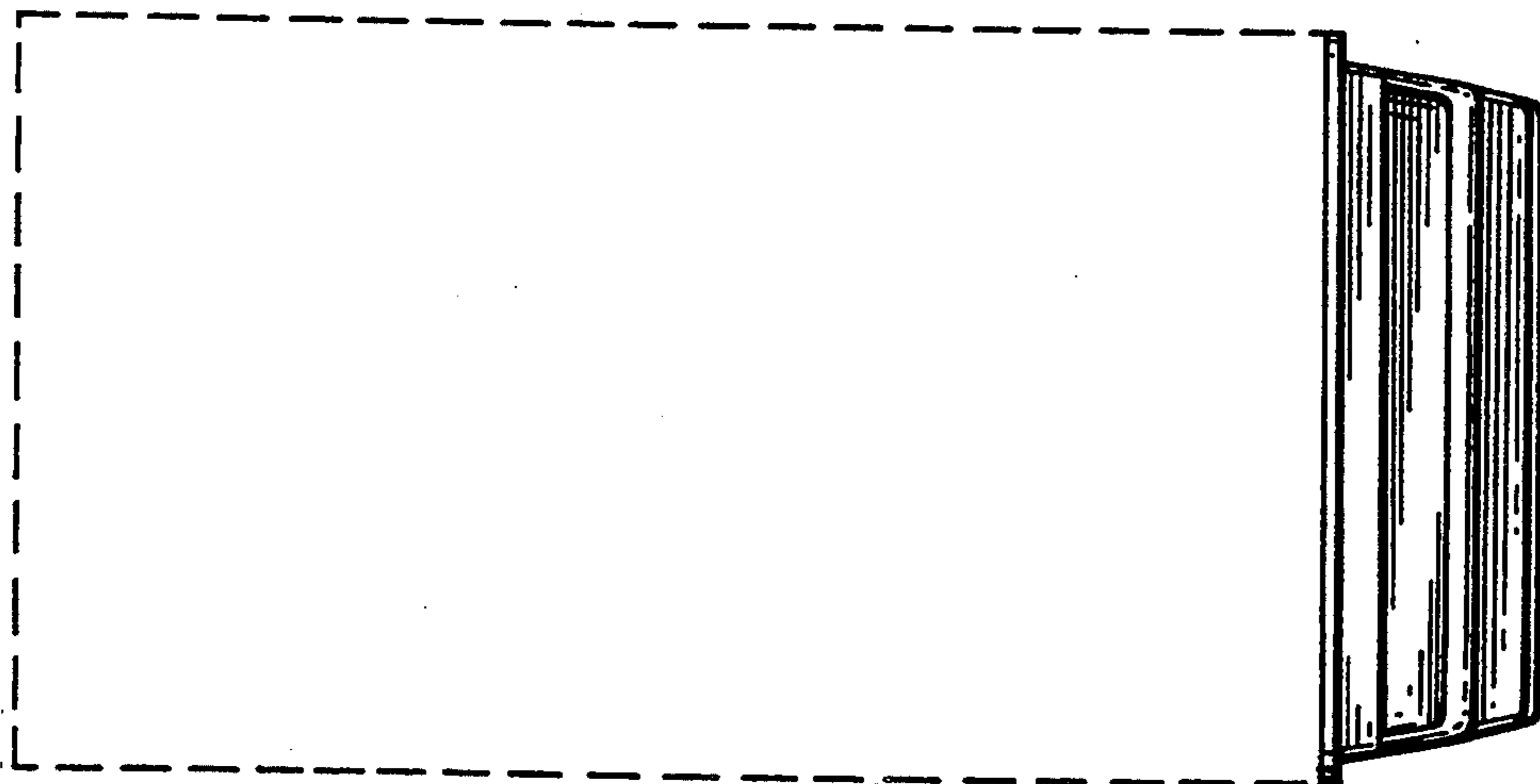


Fig. 6