



US00D354829S

United States Patent [19]

Willis et al.

[11] Patent Number: **Des. 354,829**

[45] Date of Patent: **** Jan. 24, 1995**

[54] MAIL BOX

[75] Inventors: **Tucker Willis; James Cinquemani, Jr., both of Dallas, Tex.**

[73] Assignee: **Chaenomeles, Inc., Dallas, Tex.**

[**] Term: **14 Years**

[21] Appl. No.: **15,054**

[22] Filed: **Nov. 4, 1993**

[52] U.S. Cl. **D99/33**

[58] Field of Search **D99/29, 32, 33, 34; 232/24, 17, 34, 35, 37**

[56] **References Cited**

U.S. PATENT DOCUMENTS

- D. 32,376 3/1900 McKinster D99/29
- D. 213,738 4/1969 Andis D99/29
- D. 218,490 8/1970 Blumberg D99/33

- D. 229,981 1/1974 Adamson D99/29
- D. 344,392 2/1994 Gardner D99/29

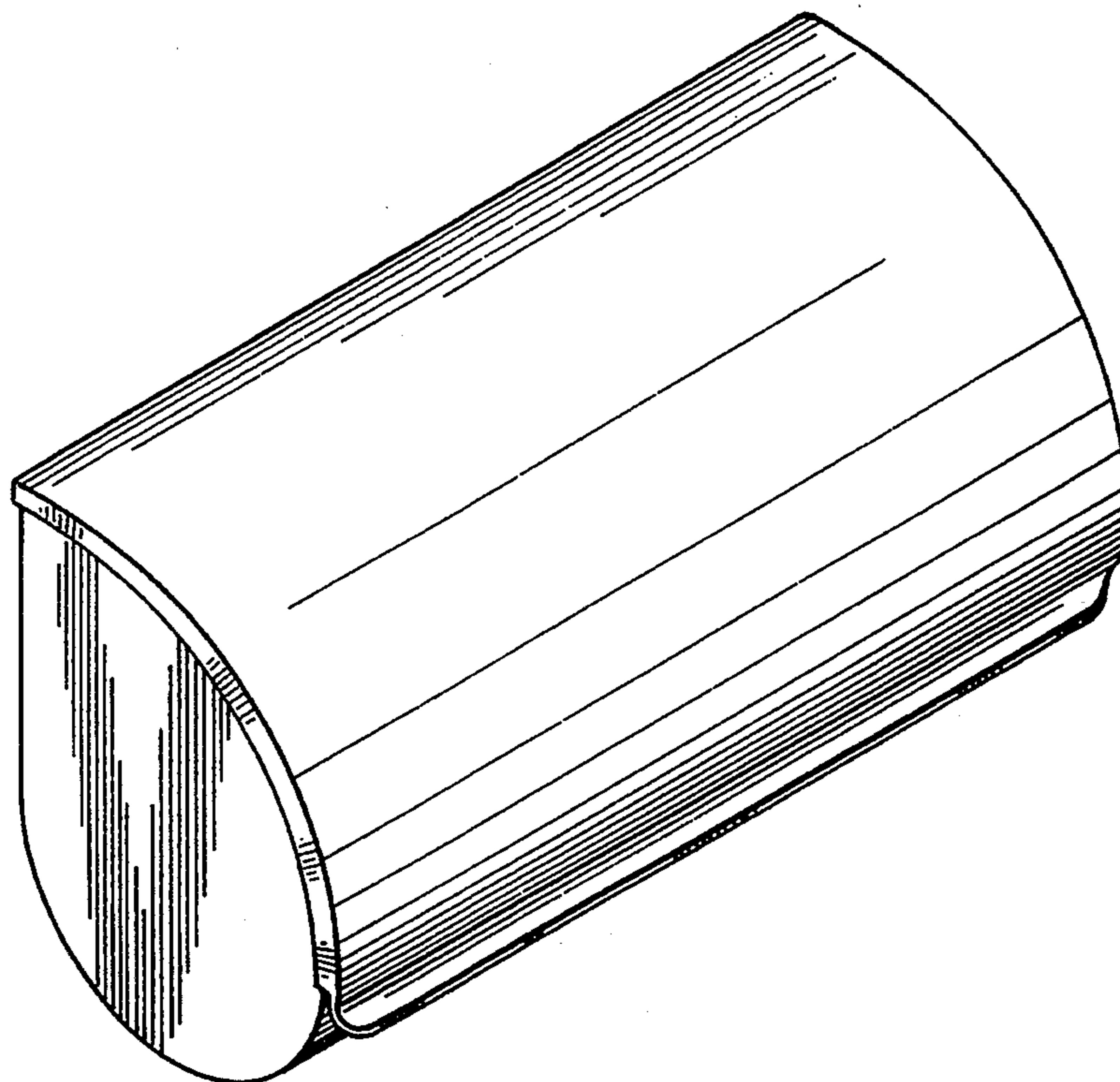
Primary Examiner—Alan P. Douglas
Assistant Examiner—Jeffrey H. Musgrove
Attorney, Agent, or Firm—Johnson & Wortley

[57] **CLAIM**

The ornamental design for the mail box, as shown and described.

DESCRIPTION

FIG. 1 is a perspective view of the mail box; FIG. 2 is a front elevational view of the mail box; FIG. 3 is a side elevational view taken from the right side of the mail box which is identical to the side elevational view taken from the left side of the mail box; FIG. 4 is a rear elevational view of the mail box; FIG. 5 is a top plan view of the mail box; and, FIG. 6 is a bottom plan view of the mail box.



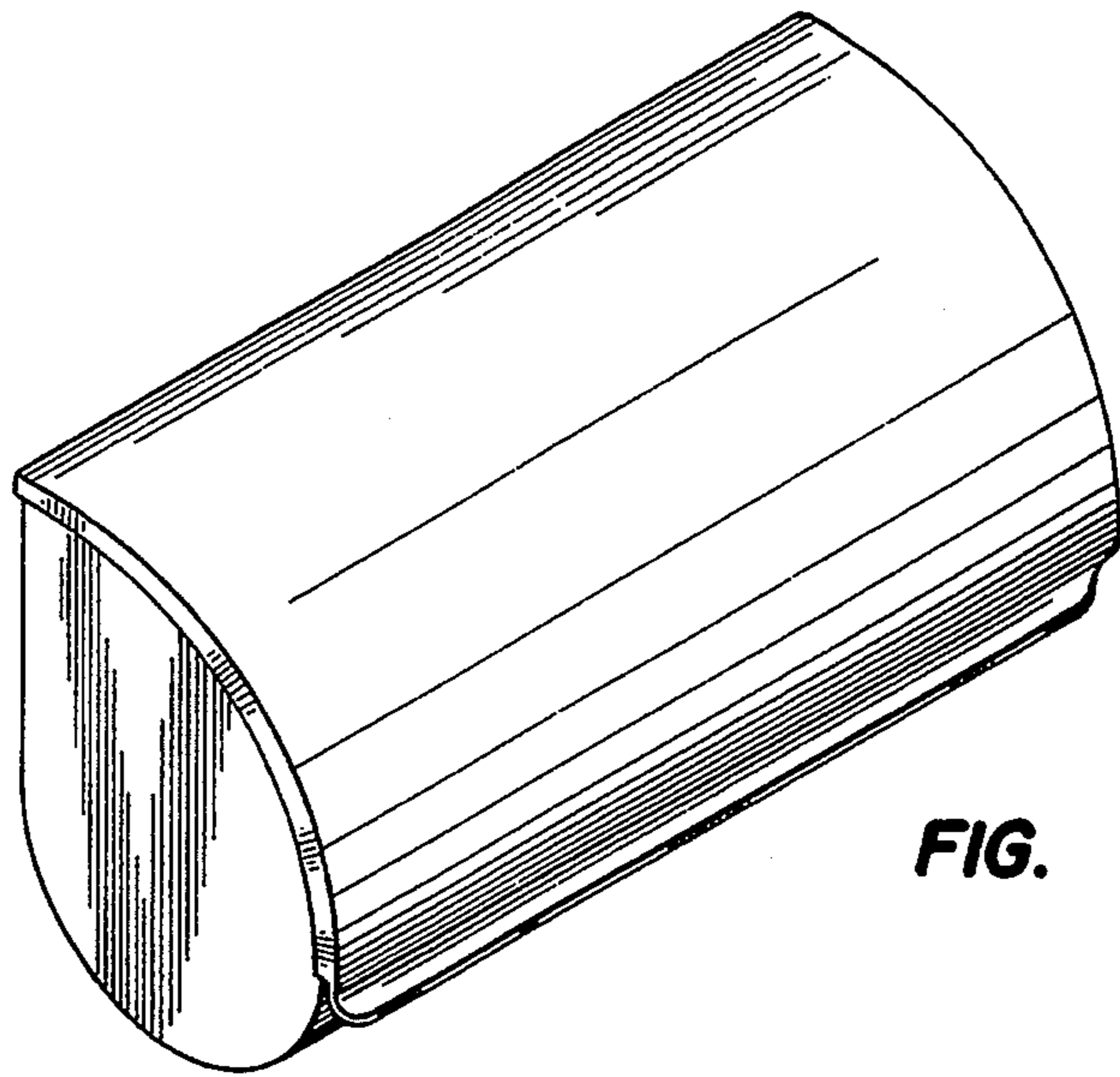


FIG. 1

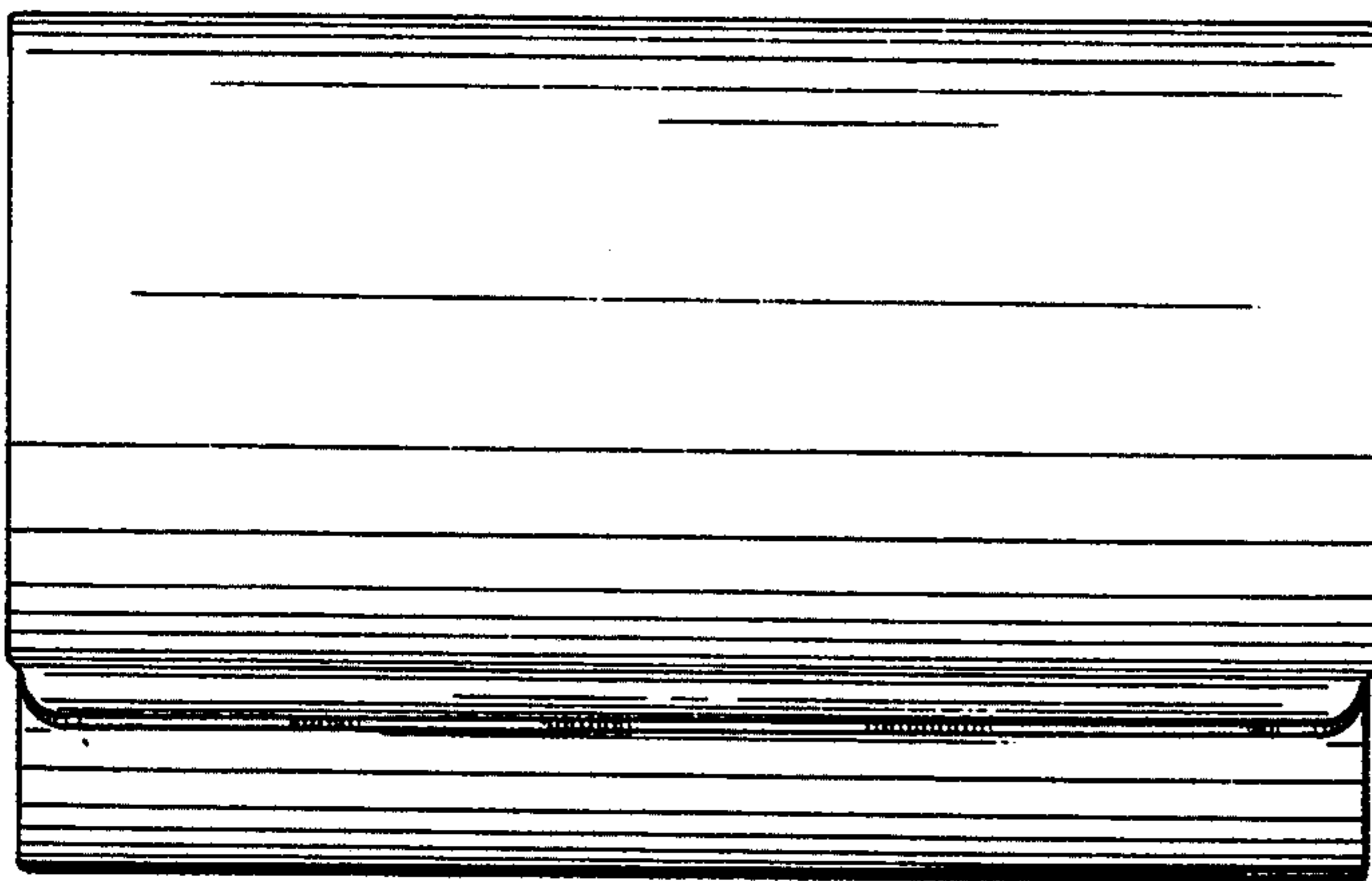


FIG. 2

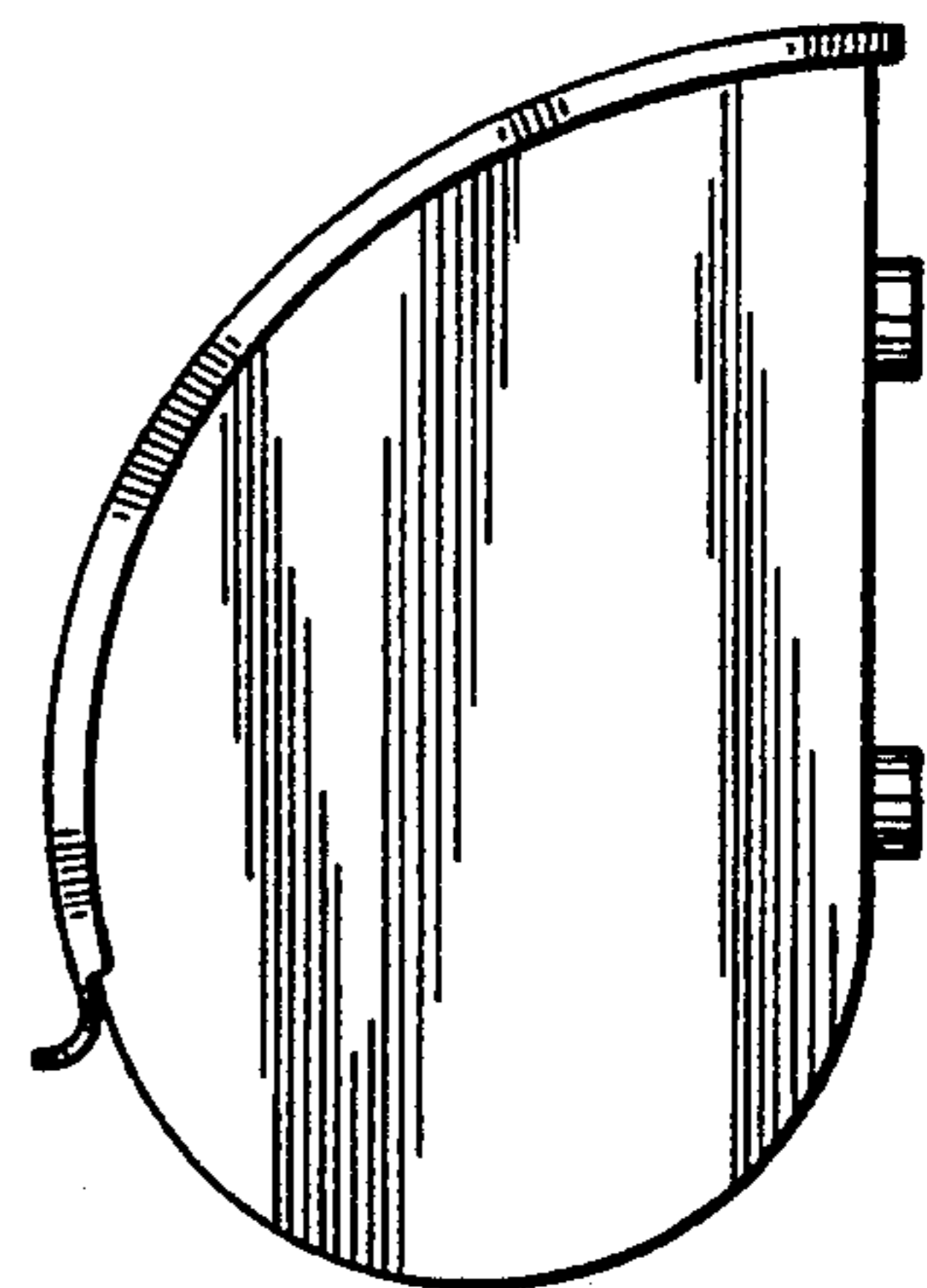


FIG. 3

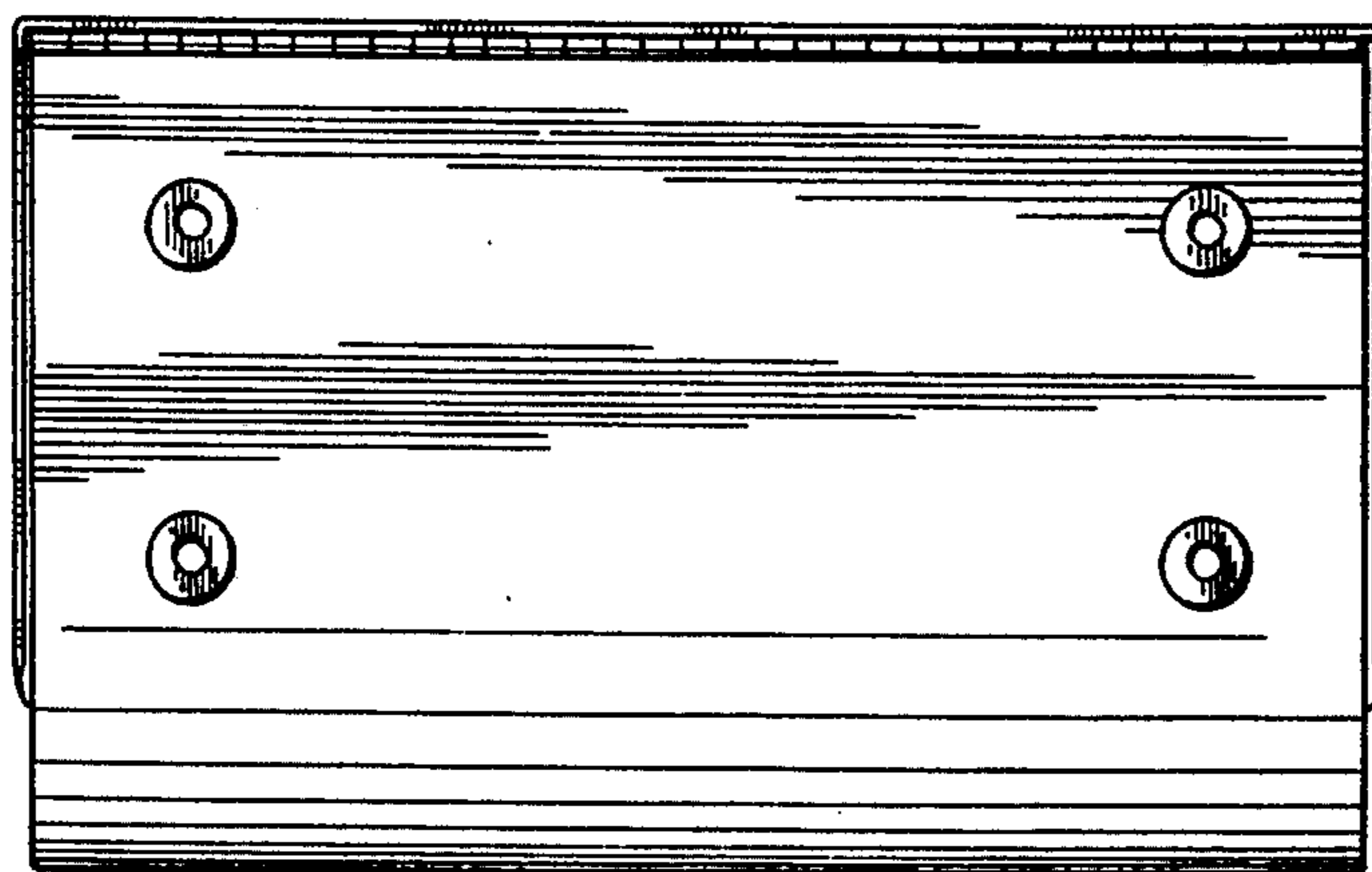


FIG. 4

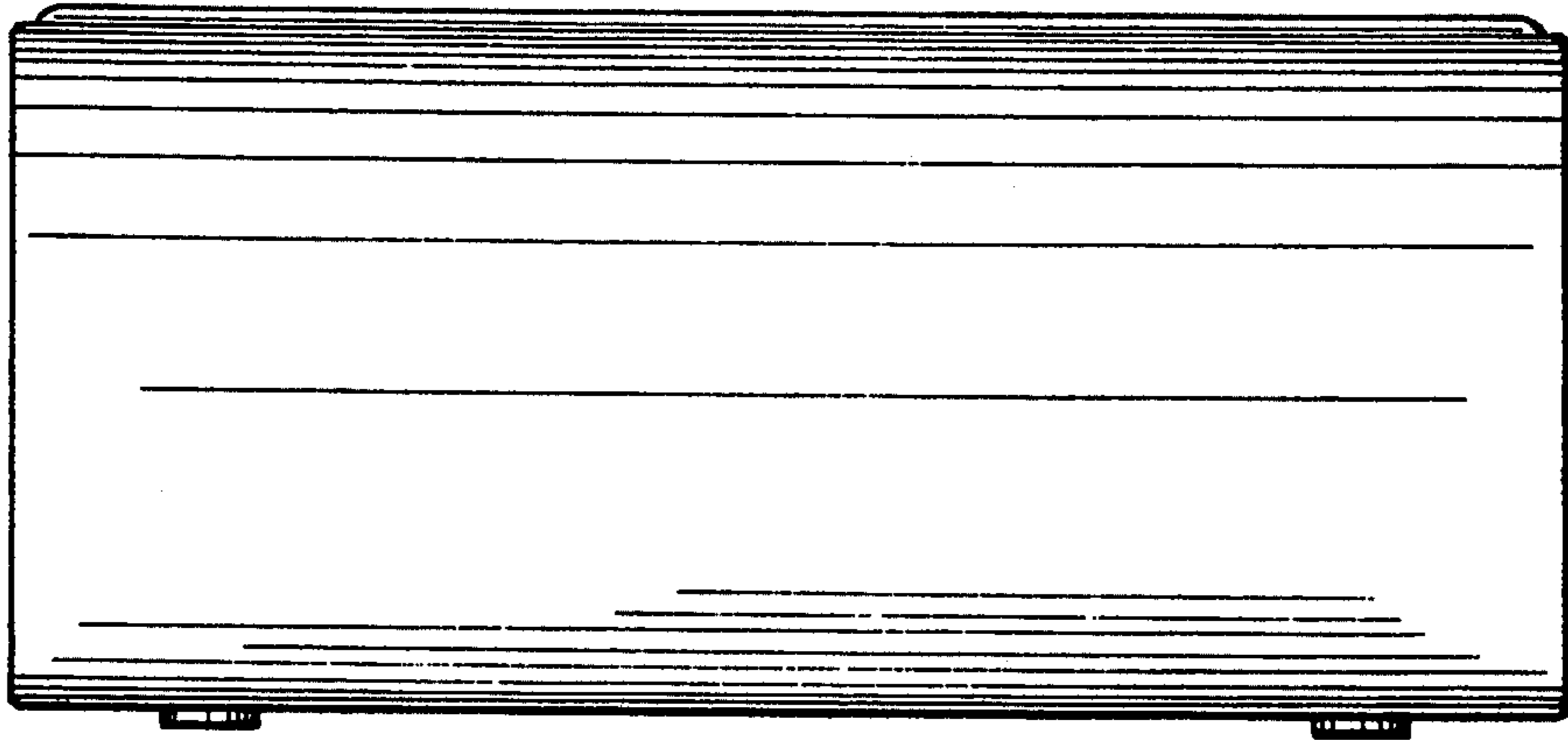


FIG. 5

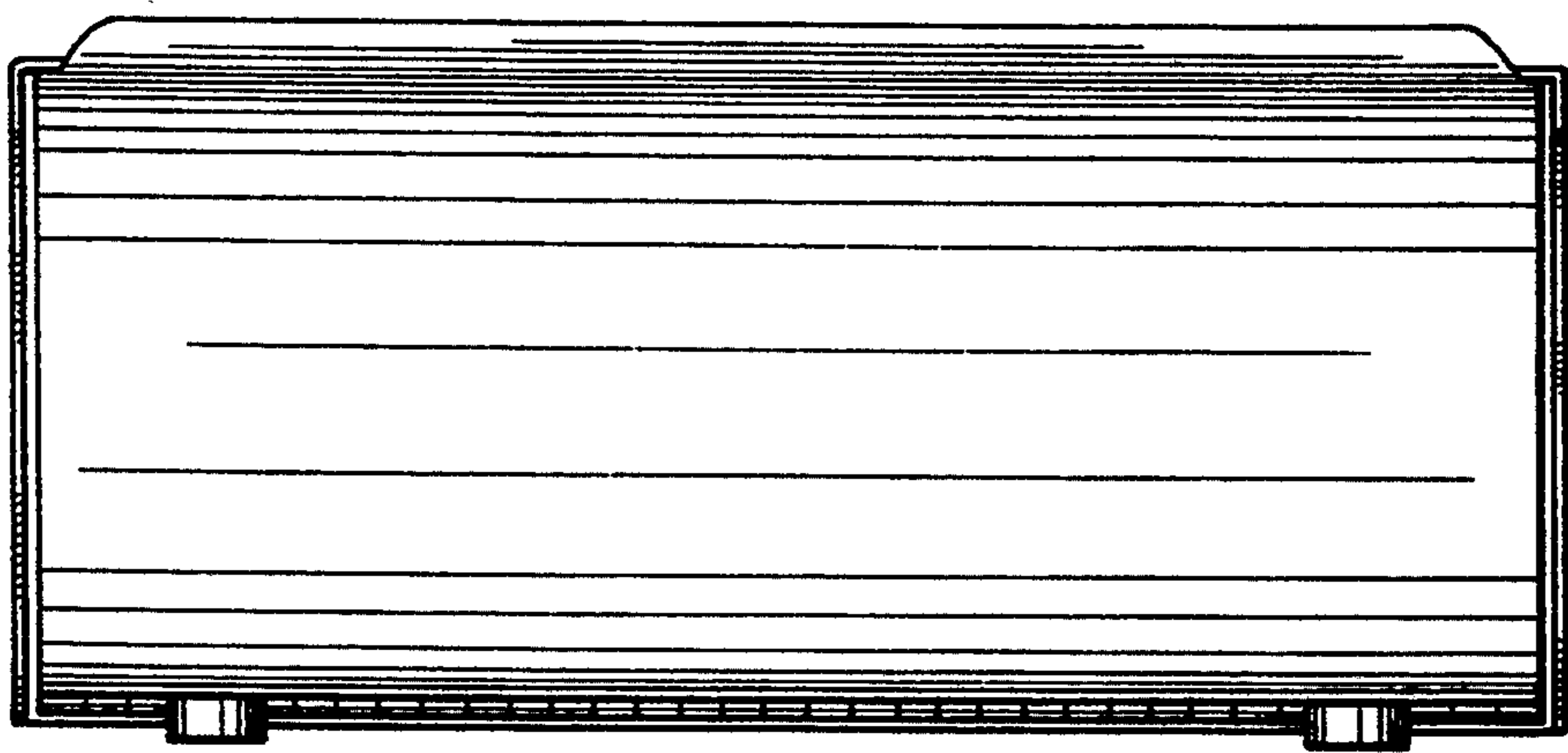


FIG. 6