



US00D354828S

United States Patent [19]

[11] Patent Number: **Des. 354,828**

Willis et al.

[45] Date of Patent: **** Jan. 24, 1995**

[54] MAIL BOX

743,104 11/1903 Roesch D99/32

[75] Inventors: **Tucker Willis; John T. Coursey**, both of Dallas, Tex.

Primary Examiner—Alan P. Douglas
Assistant Examiner—Jeffrey H. Musgrove
Attorney, Agent, or Firm—Johnson & Wortley

[73] Assignee: **Chainomeles, Inc.**, Dallas, Tex.

[**] Term: **14 Years**

[57] **CLAIM**

[21] Appl. No.: **15,051**

The ornamental design for the mail box, as shown and described.

[22] Filed: **Nov. 4, 1993**

[52] U.S. Cl. **D99/33**

[58] Field of Search D99/32, 33, 34; 232/34, 232/35, 37, 17, 24

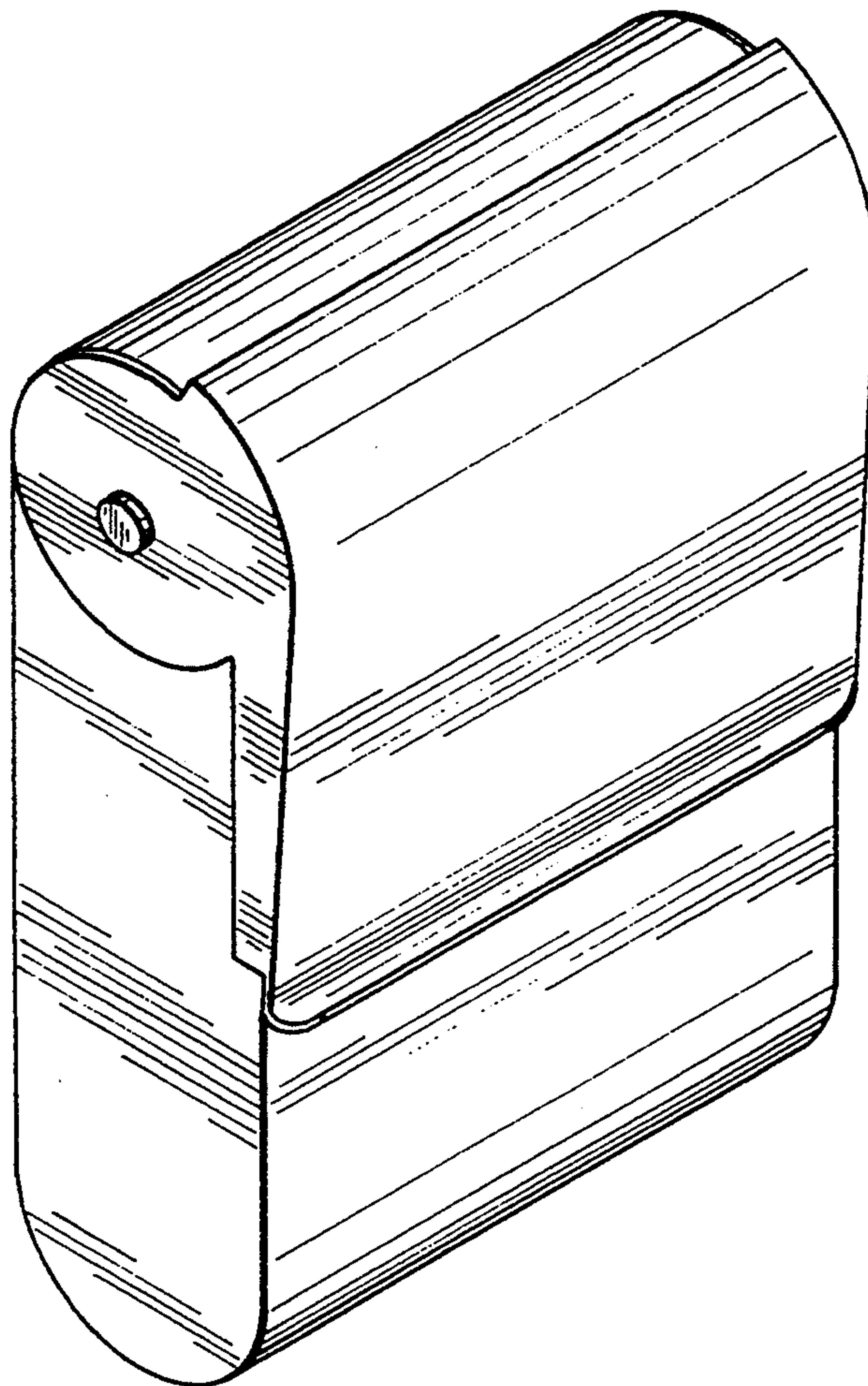
DESCRIPTION

FIG. 1 is a perspective view of the mail box;
FIG. 2 is a front elevational view of the mail box;
FIG. 3 is a side elevational view taken from the right side of the mail box which is identical to the side elevational view taken from the left side of the mail box;
FIG. 4 is a rear elevational view of the mail box;
FIG. 5 is a top plan view of the mail box; and,
FIG. 6 is a bottom plan view of the mail box.

[56] **References Cited**

U.S. PATENT DOCUMENTS

- D. 166,748 5/1952 Gosweiler D99/33
- D. 176,539 1/1956 Levine D99/33



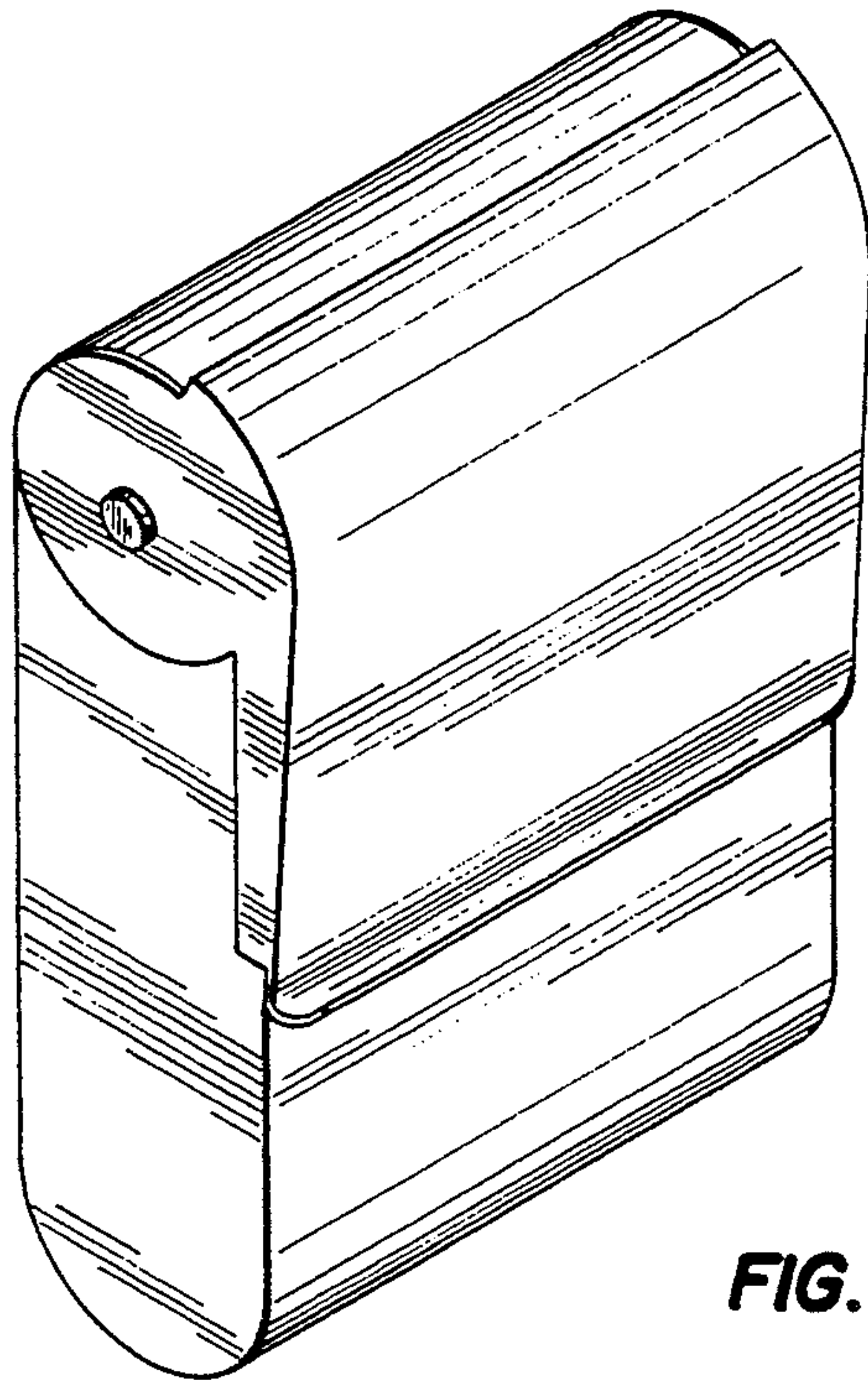


FIG. 1

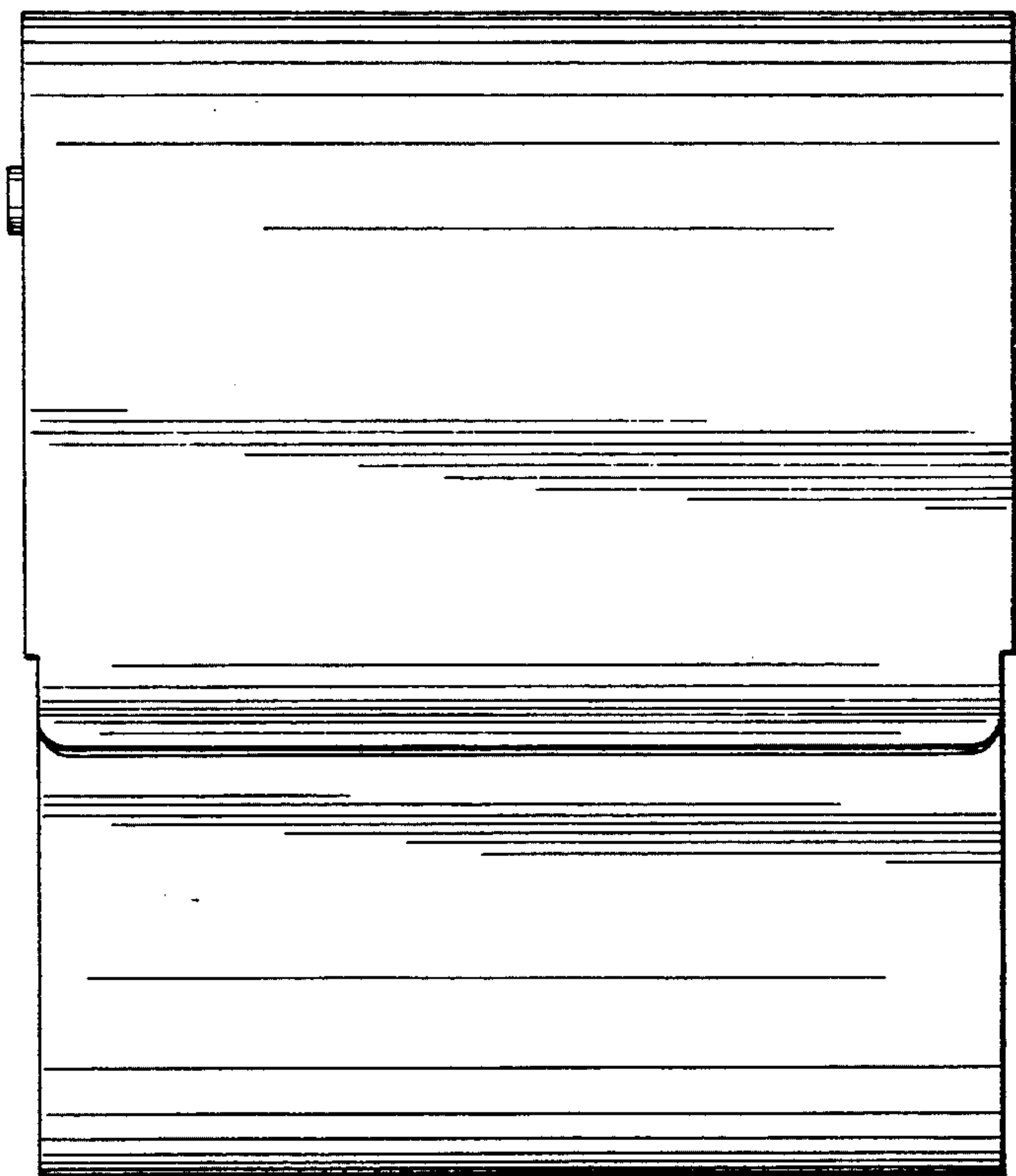


FIG. 2

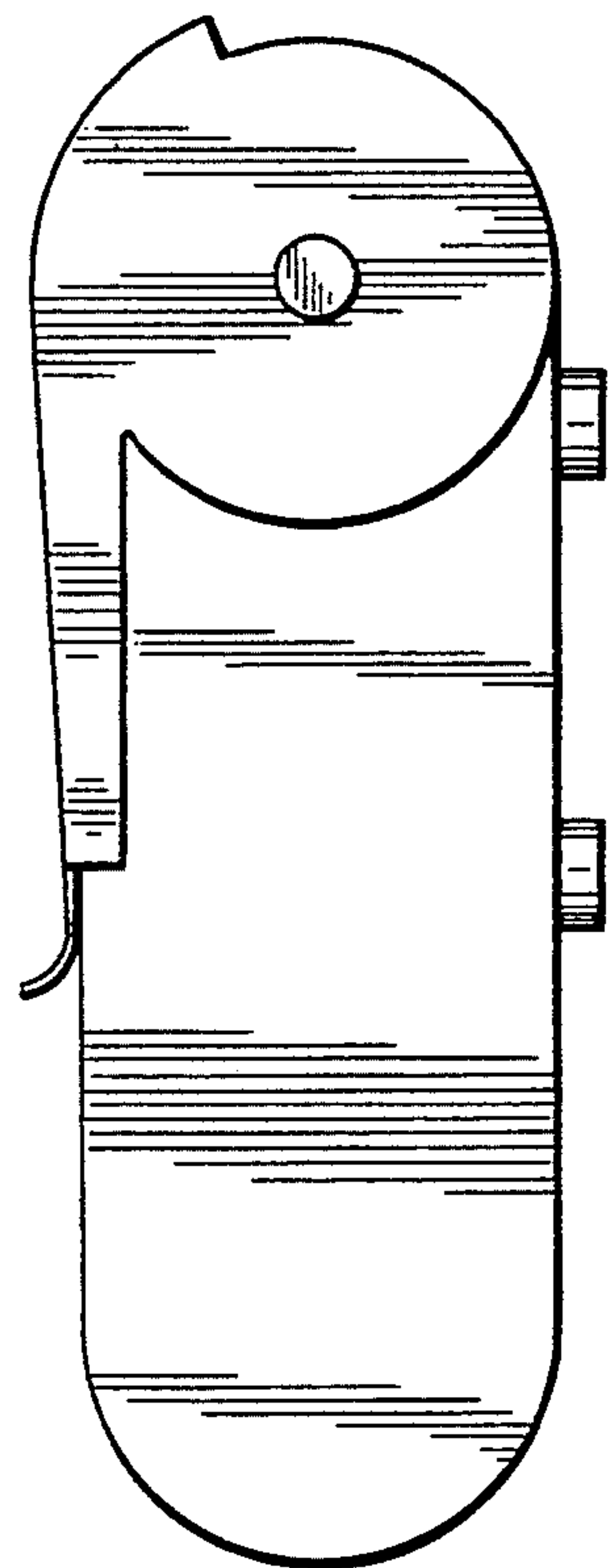


FIG. 3

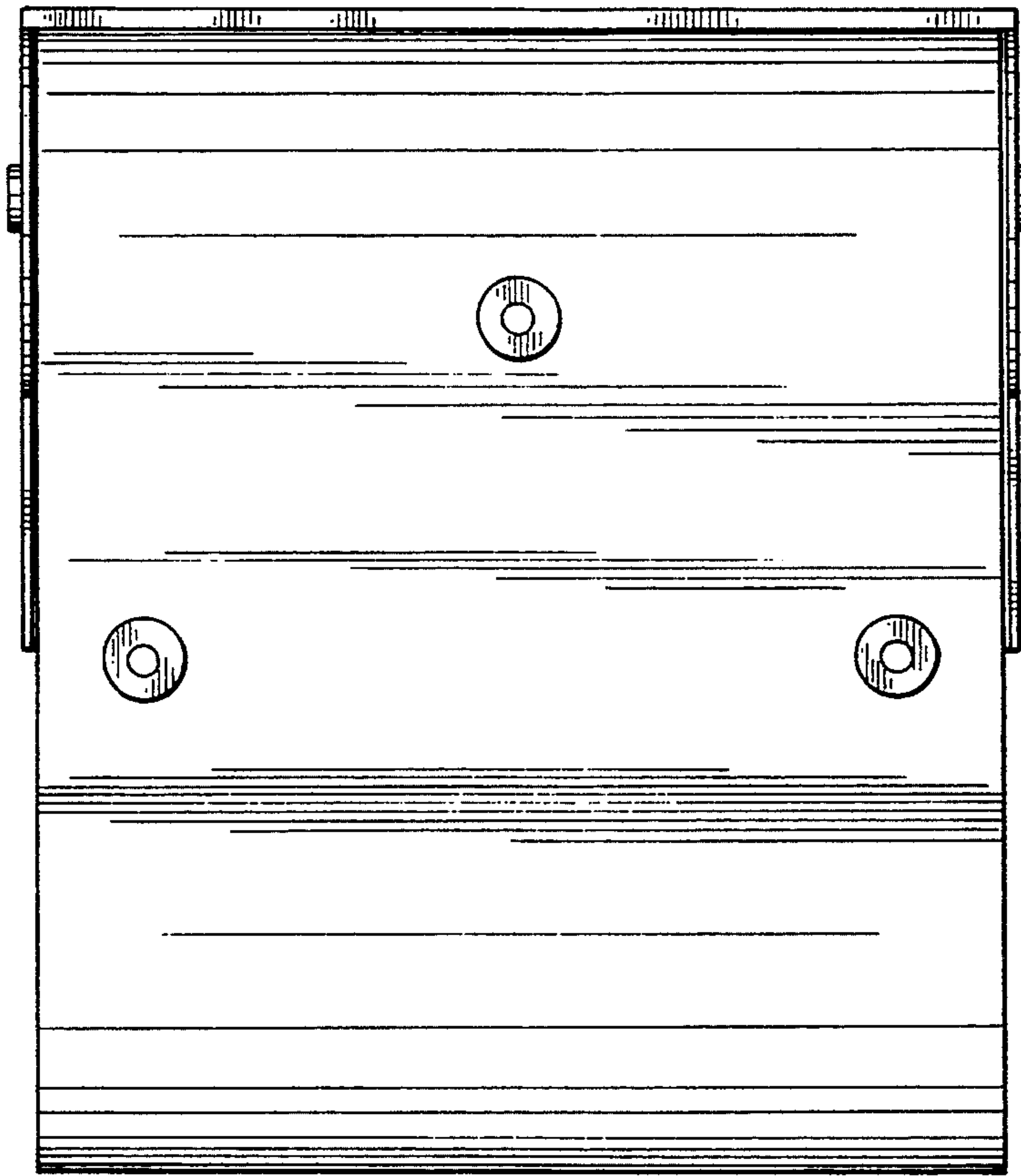


FIG. 4

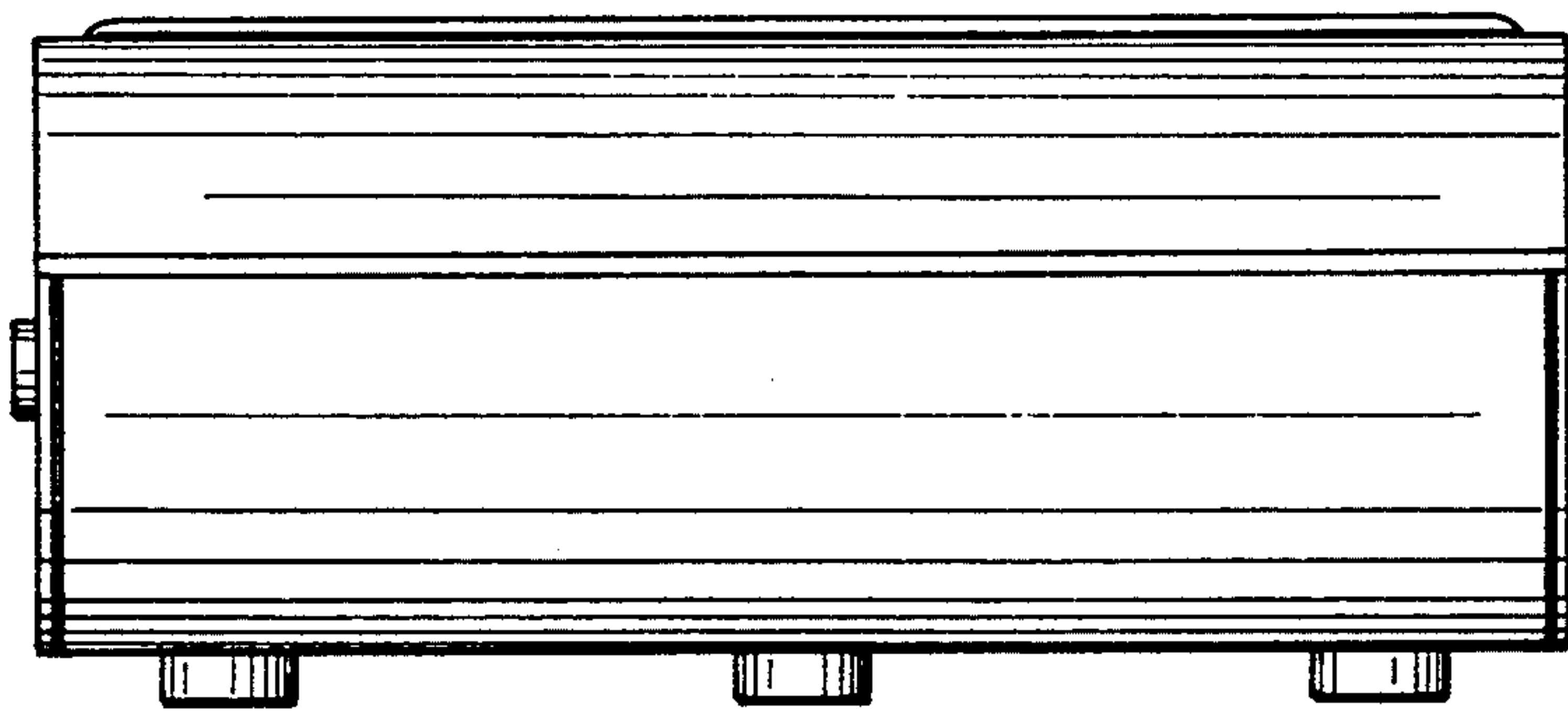


FIG. 5

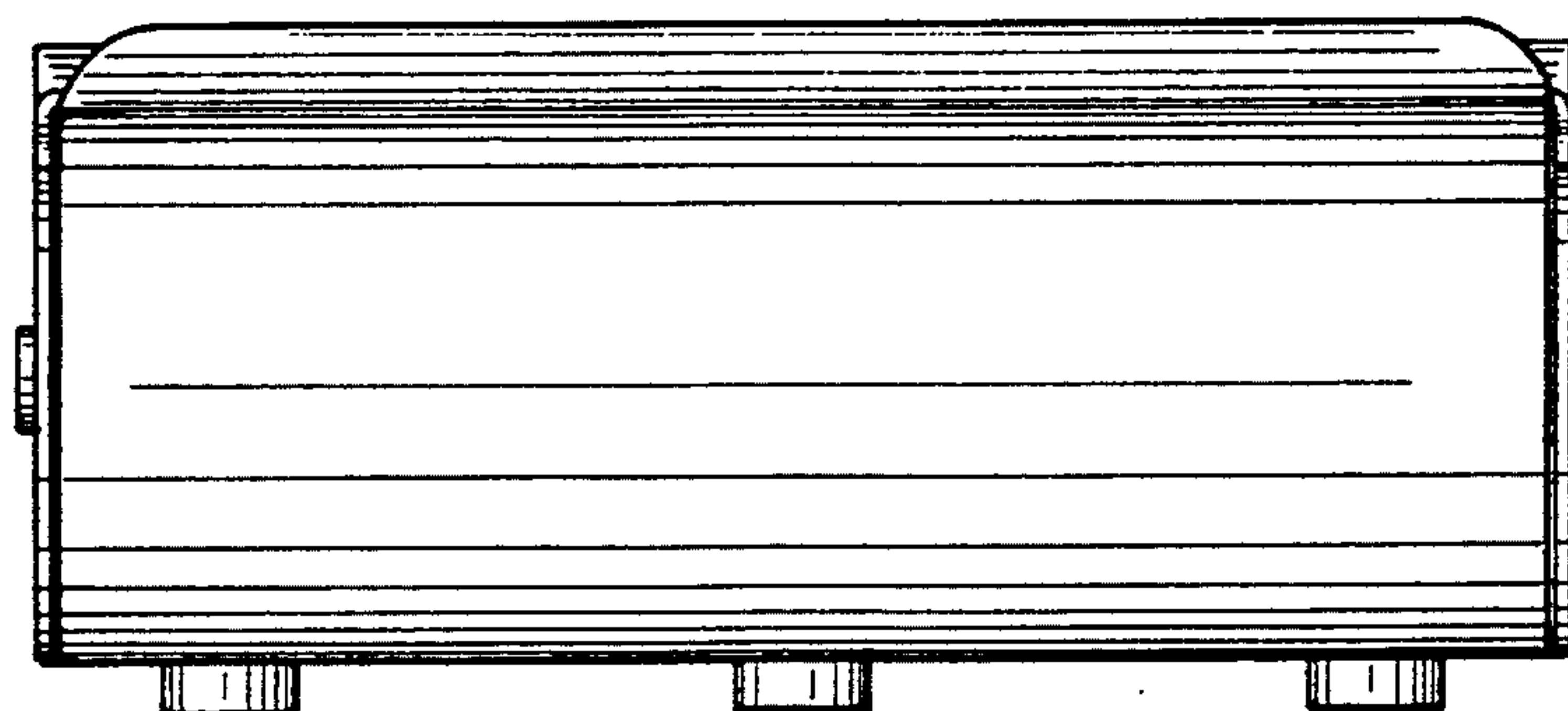


FIG. 6