



US00D354820S

**United States Patent** [19]  
**Bancroft**

[11] **Patent Number: Des. 354,820**  
[45] **Date of Patent: \*\* Jan. 24, 1995**

[54] **SASH ELEMENT**

[76] **Inventor: Joseph C. Bancroft, 102 Sweetwater Club Blvd., Longwood, Fla. 32750**

[\*\*] **Term: 14 Years**

[21] **Appl. No.: 11,380**

[22] **Filed: Aug. 2, 1993**

[52] **U.S. Cl. .... D25/124**

[58] **Field of Search .... D25/60-52, D25/124; 49/DIG. 2, 504-505; 52/204.5, 204.1, 210, 204.55, 204.56, 204.63, 204.6, 214, 204.61, 656.6, 730.3**

[56] **References Cited**

**U.S. PATENT DOCUMENTS**

D. 335,932	5/1993	Cole	.....	D25/124
4,333,283	6/1982	Ebata	.....	49/DIG. 2
4,411,111	10/1983	Hosooka	.....	52/204.55
5,189,841	3/1993	Arbetter	.....	49/504

*Primary Examiner—Doris Clark*  
*Attorney, Agent, or Firm—Macdonald J. Wiggins*

[57] **CLAIM**

The ornamental design for a sash element, as shown and described.

**DESCRIPTION**

FIG. 1 is a fragmentary top perspective view of the sash element showing my design;  
FIG. 2 is a top plan view thereof broken away to indicate indeterminate length;  
FIG. 3 is a bottom plan view thereof broken away to indicate indeterminate length;  
FIG. 4 is a front elevation view thereof in which the rear elevational view is a mirror image of the front view;  
FIG. 5 is a right elevational view thereof broken away to indicate indeterminate length; and,  
FIG. 6 is a left elevational view thereof broken away to indicate indeterminate length.

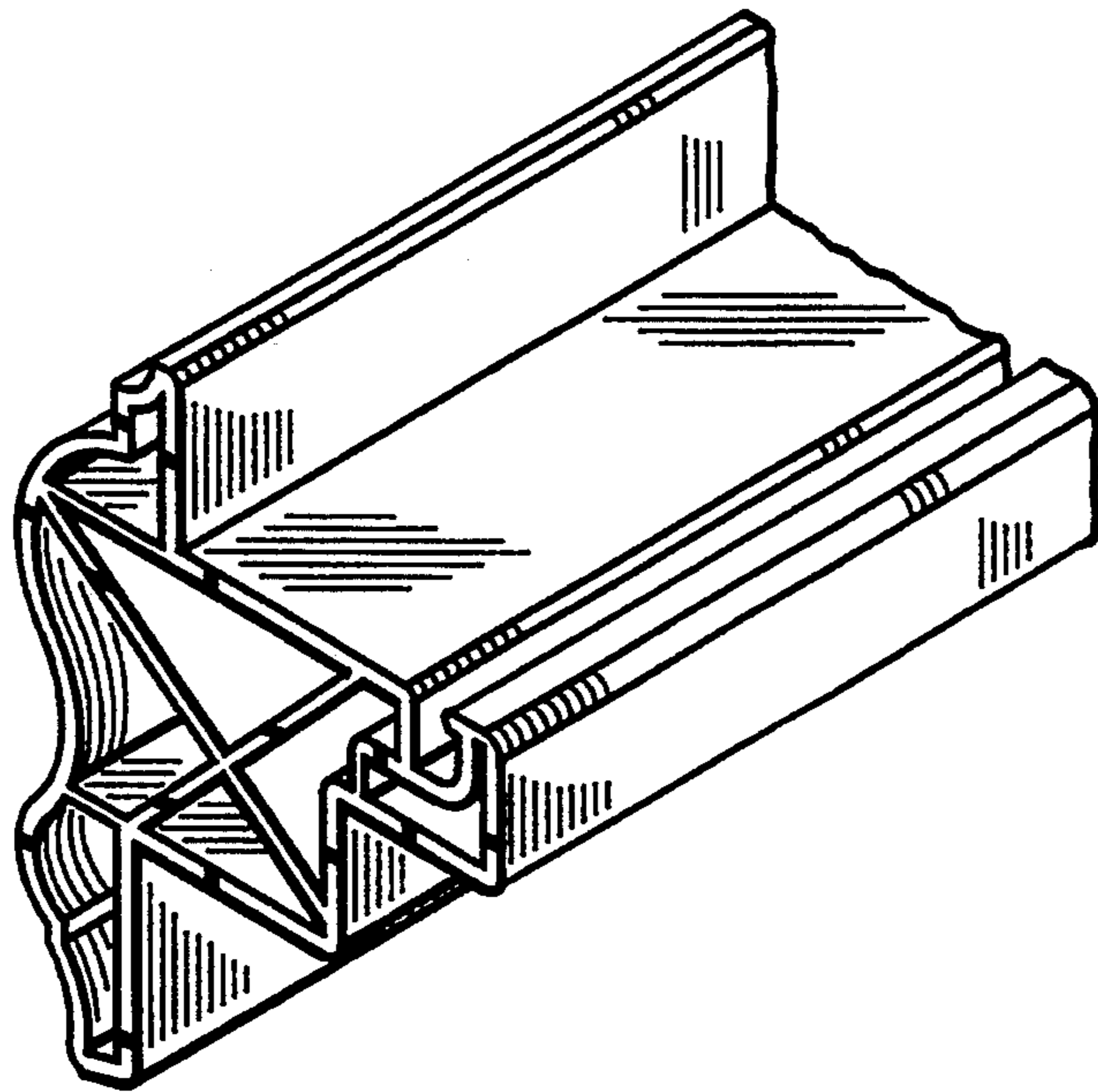


FIG. 2

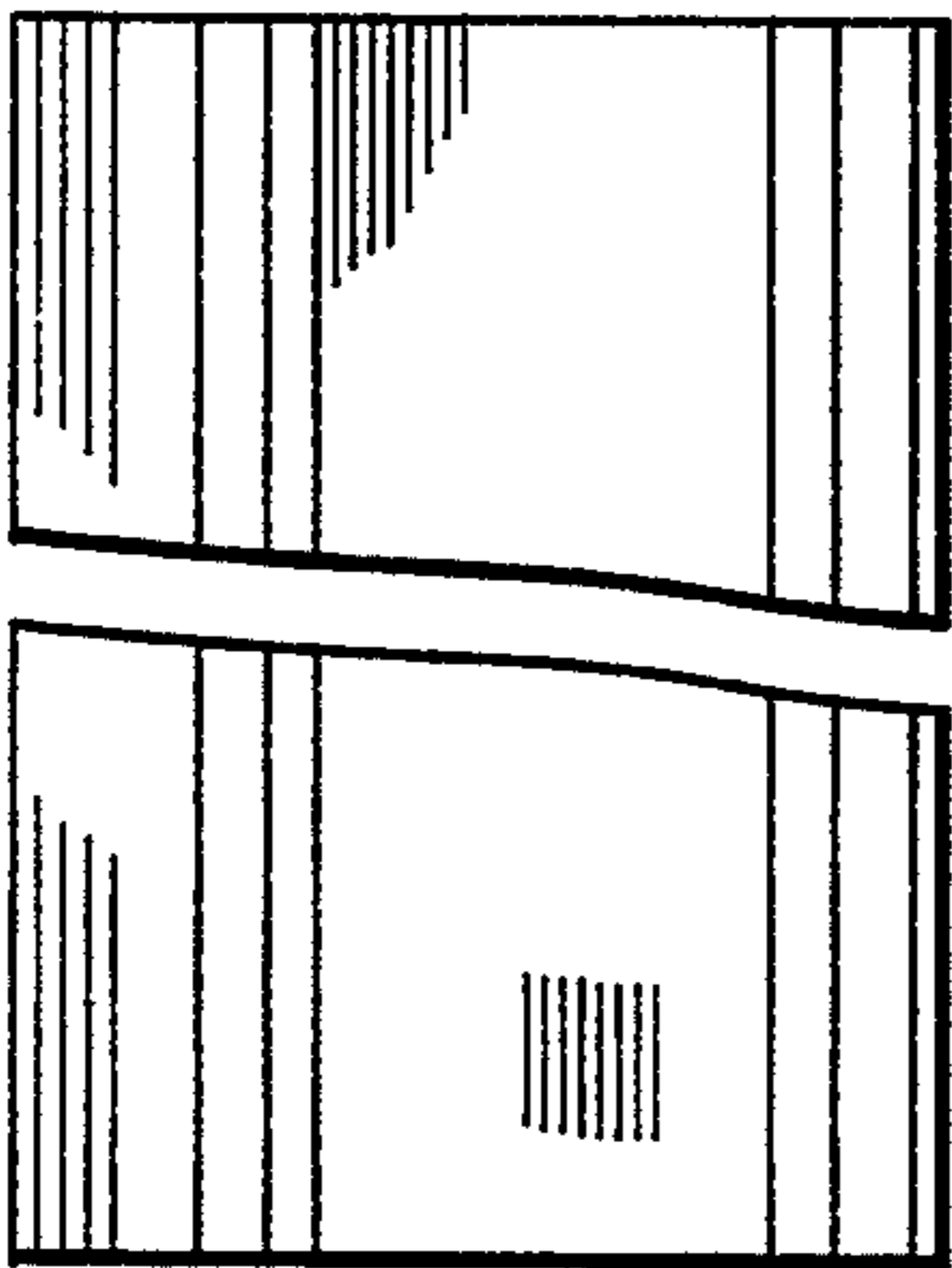


FIG. 1

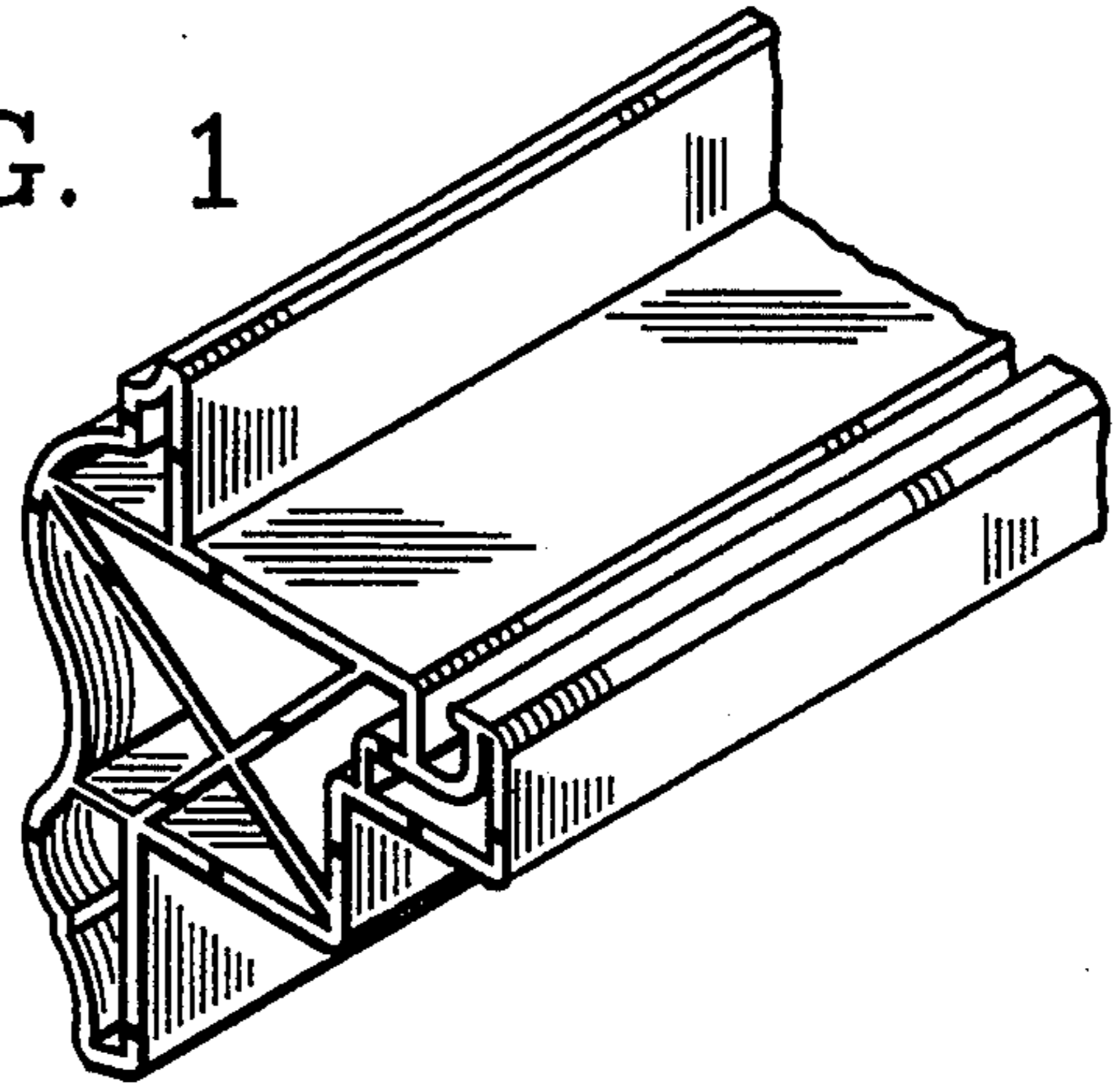


FIG. 3

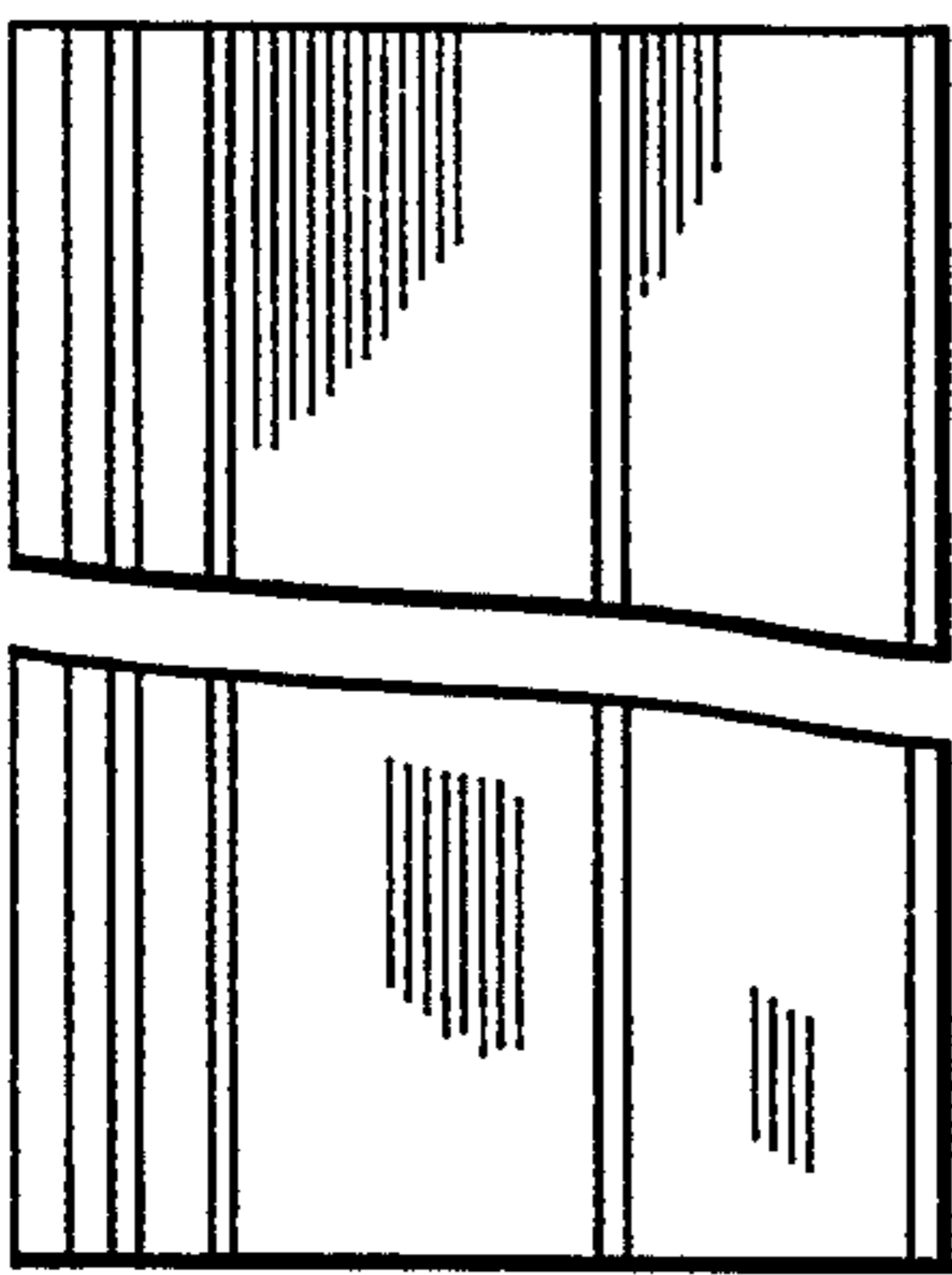


FIG. 5

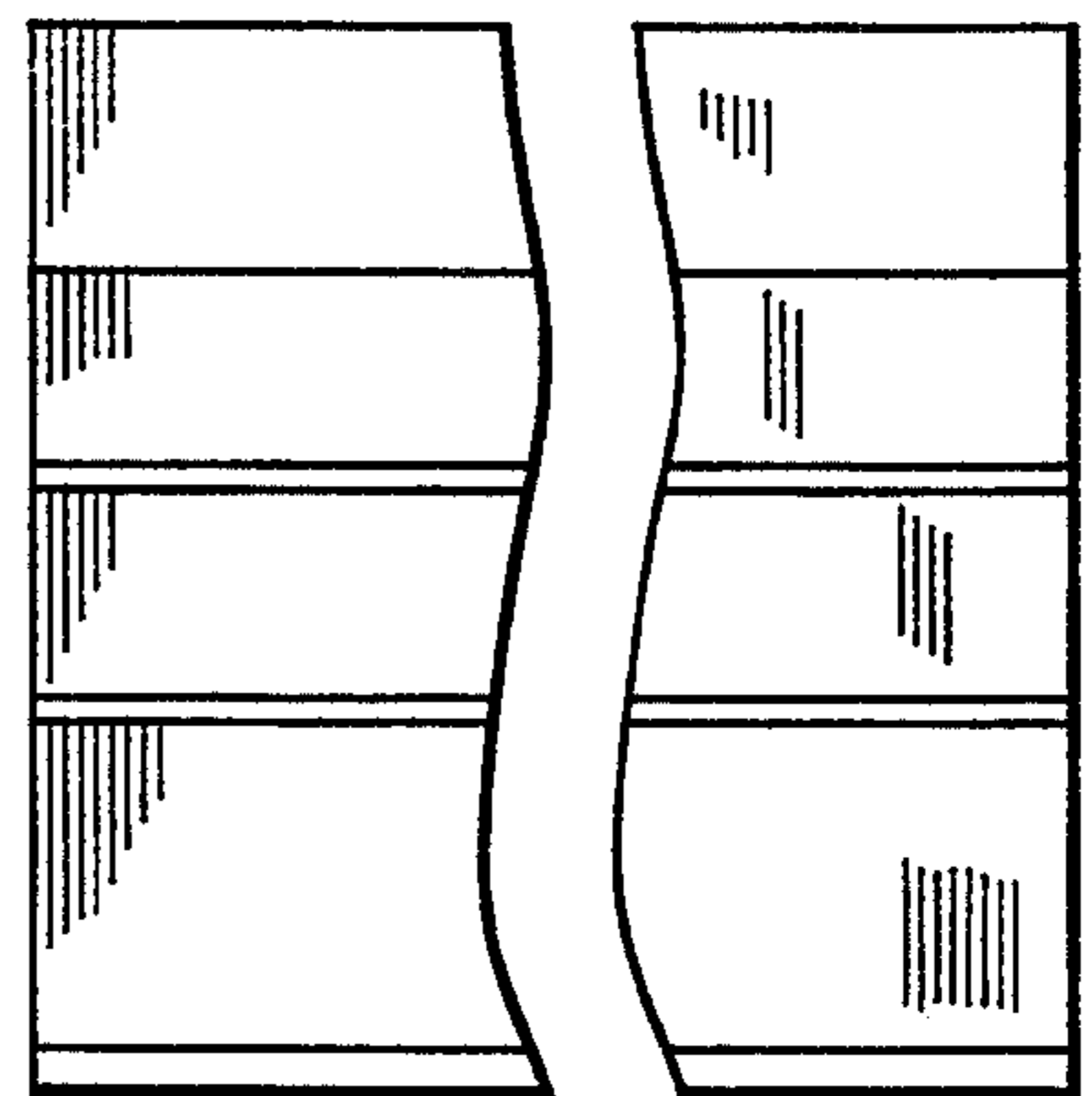


FIG. 4

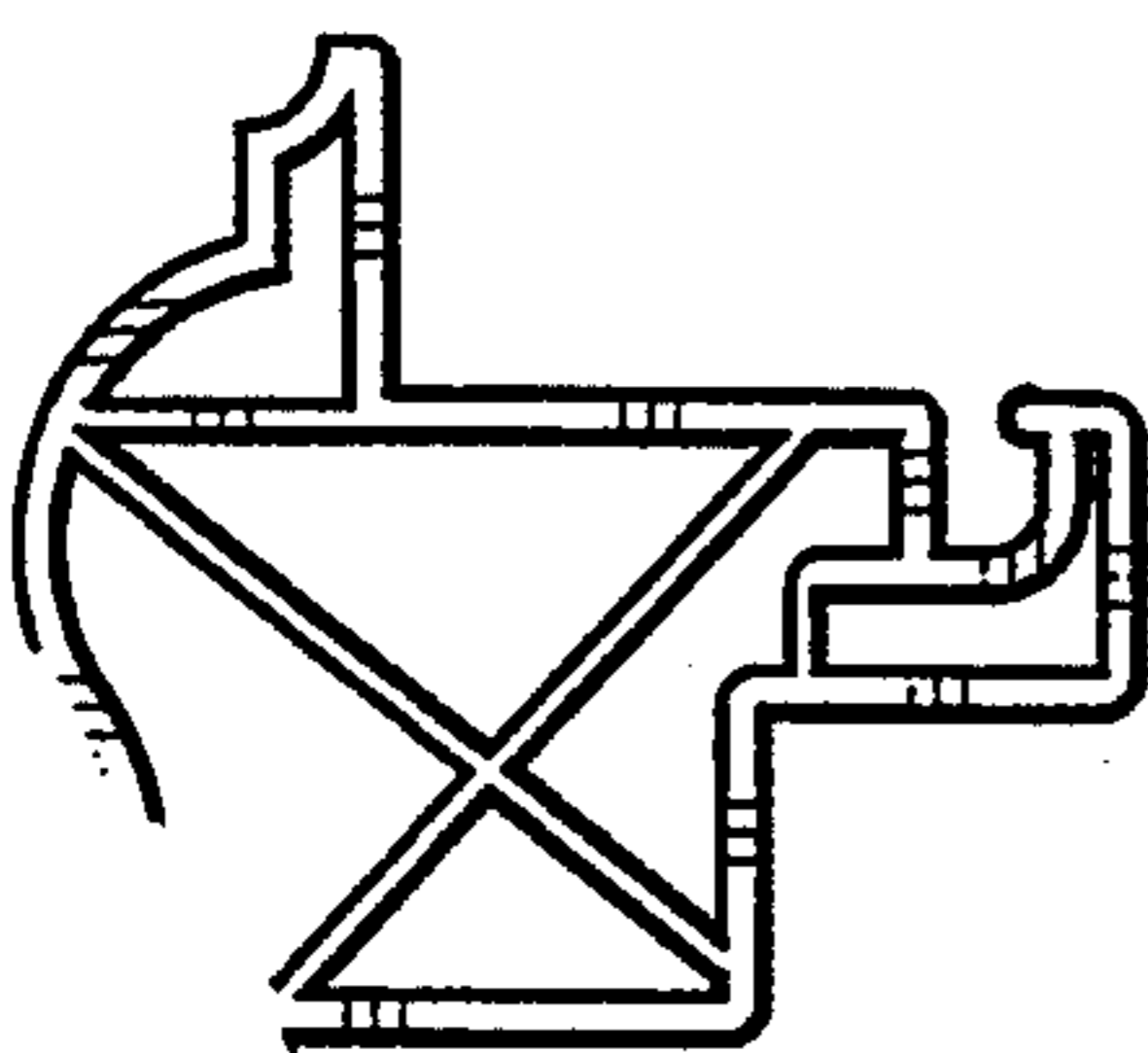


FIG. 6

