



US00D354817S

United States Patent [19]

[11] Patent Number: **Des. 354,817**

Kovacs et al.

[45] Date of Patent: **** Jan. 24, 1995**

[54] **COMBINED SKYLIGHT AND FLOOR
OPENING GUARD**

[56]

References Cited

U.S. PATENT DOCUMENTS

1,233,530	7/1917	Whitnell	52/200
4,575,965	3/1986	Iversen	D25/53

[75] Inventors: **John C. Kovacs, San Antonio; Fred A. Kunz, Boerne, both of Tex.**

Primary Examiner—Doris Clark

Attorney, Agent, or Firm—Gunn, Lee & Miller

[73] Assignee: **Saf-T-Screens, Inc., San Antonio, Tex.**

[57]

CLAIM

The ornamental design of a combined skylight and floor opening guard, as shown.

[**] Term: **14 Years**

DESCRIPTION

[21] Appl. No.: **13,492**

FIG. 1 is a top front, left side perspective view of a combined skylight and floor opening guard showing our new design;

FIG. 2 is a top plan view thereof;

FIG. 3 is a front elevation view thereof;

FIG. 4 is a left side elevation view thereof;

FIG. 5 is a right side elevation view thereof;

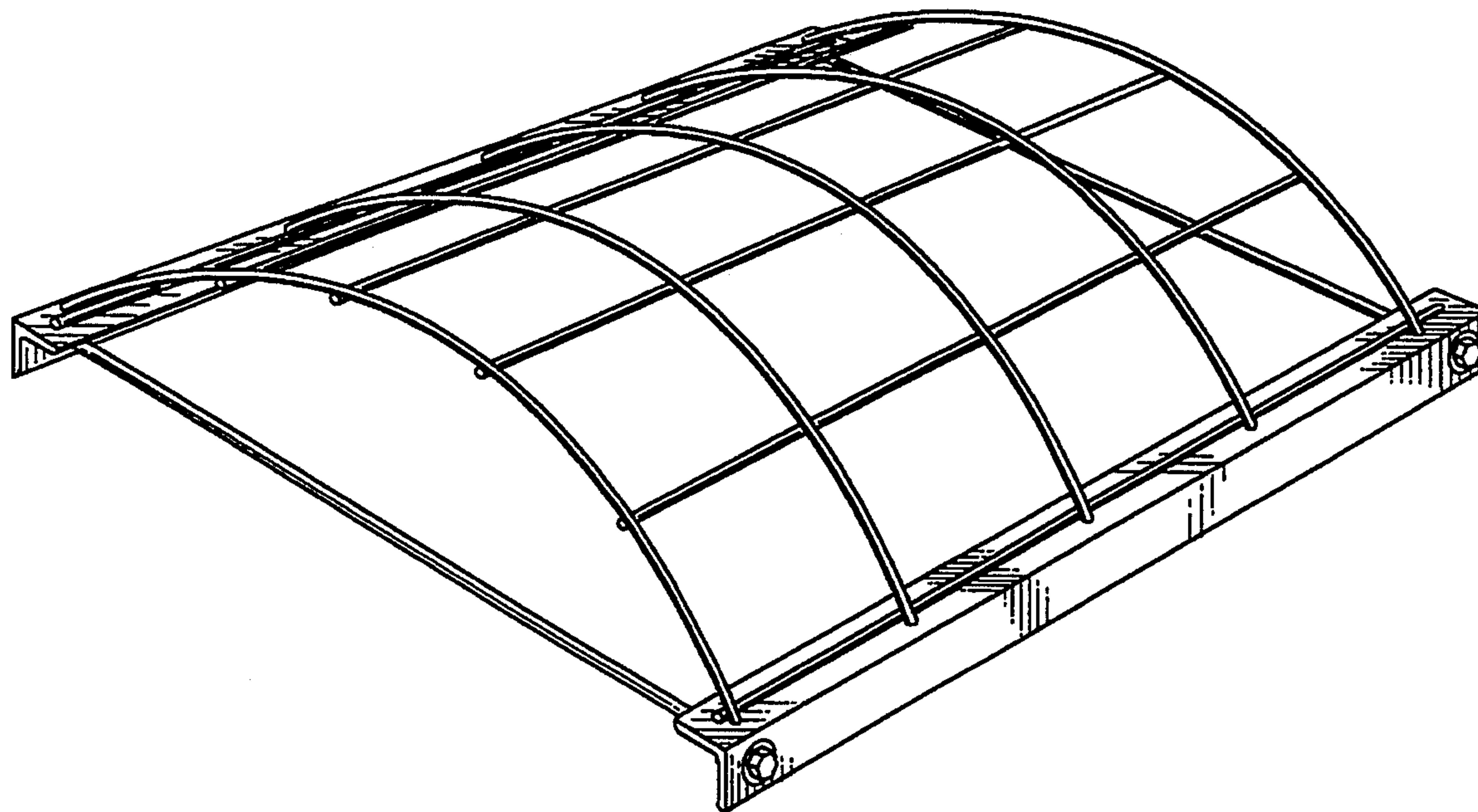
FIG. 6 is a rear elevation view thereof; and,

FIG. 7 is a bottom plan view thereof.

[22] Filed: **Sep. 27, 1993**

[52] U.S. Cl. **D25/53**

[58] Field of Search **D25/61, 60, 53, 52;
49/50-57; 52/633, 644, 639, 650.3, 653.1;
52/200, 18; 160/90**



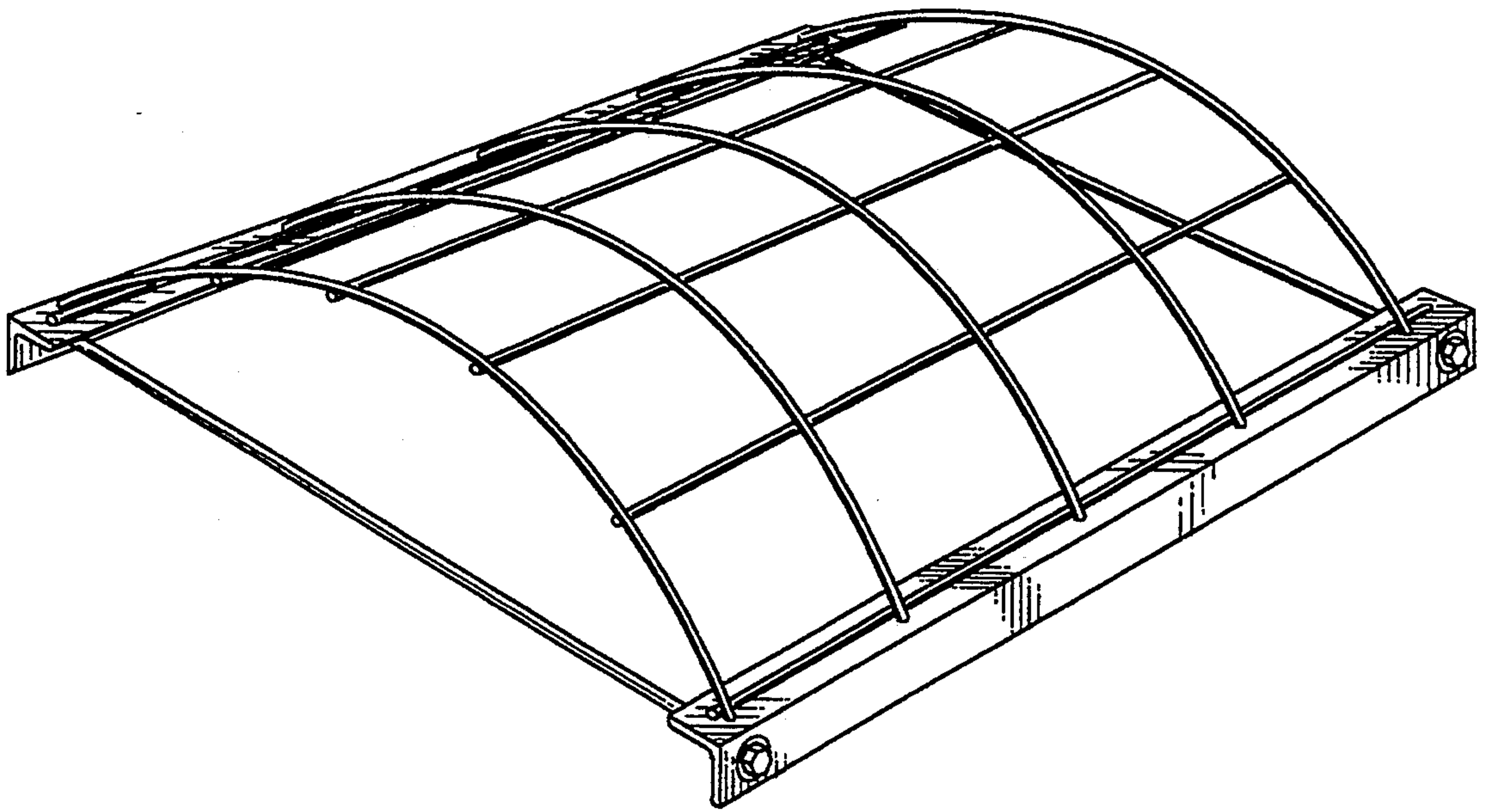


Fig. 1

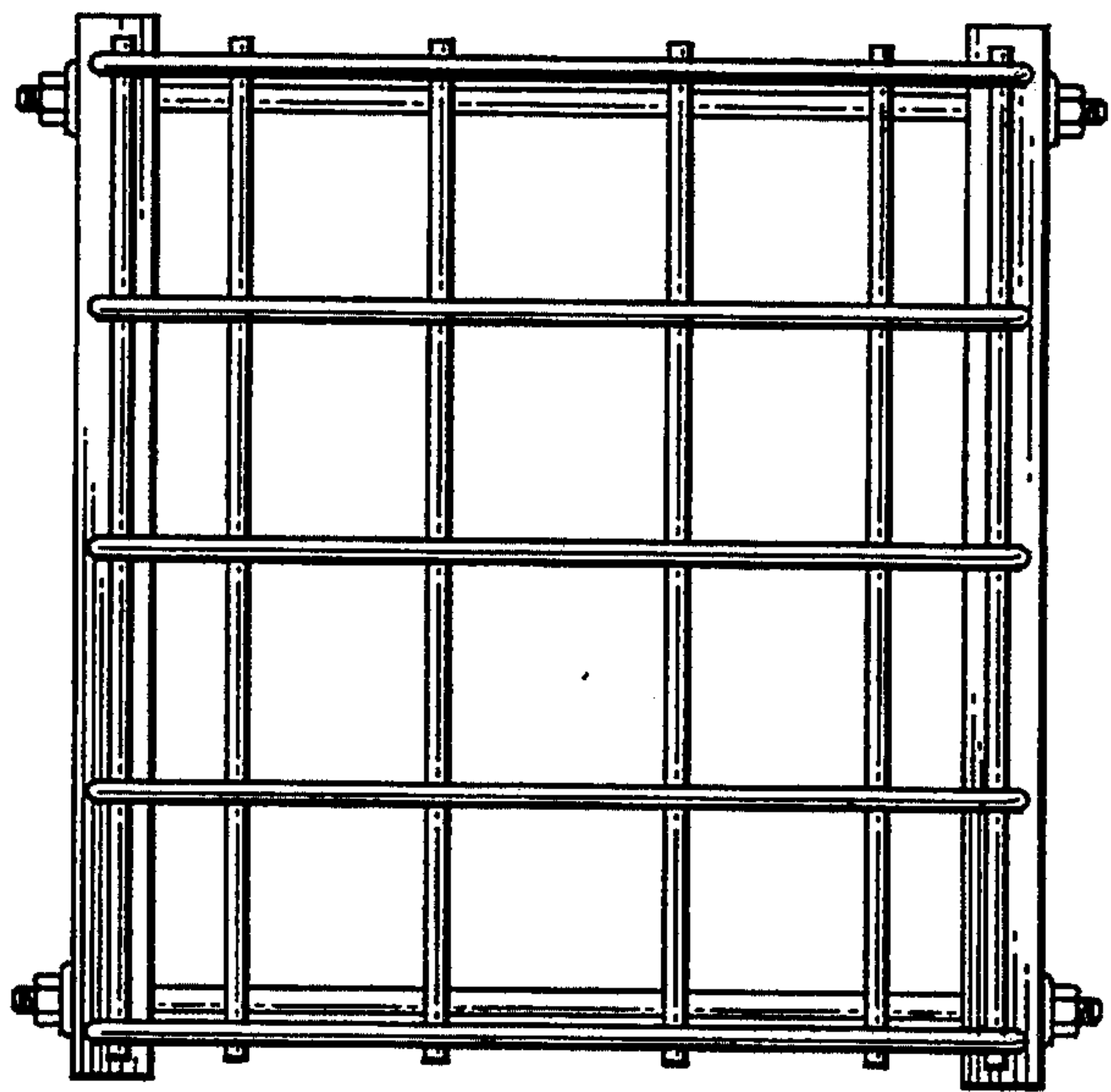


Fig. 2

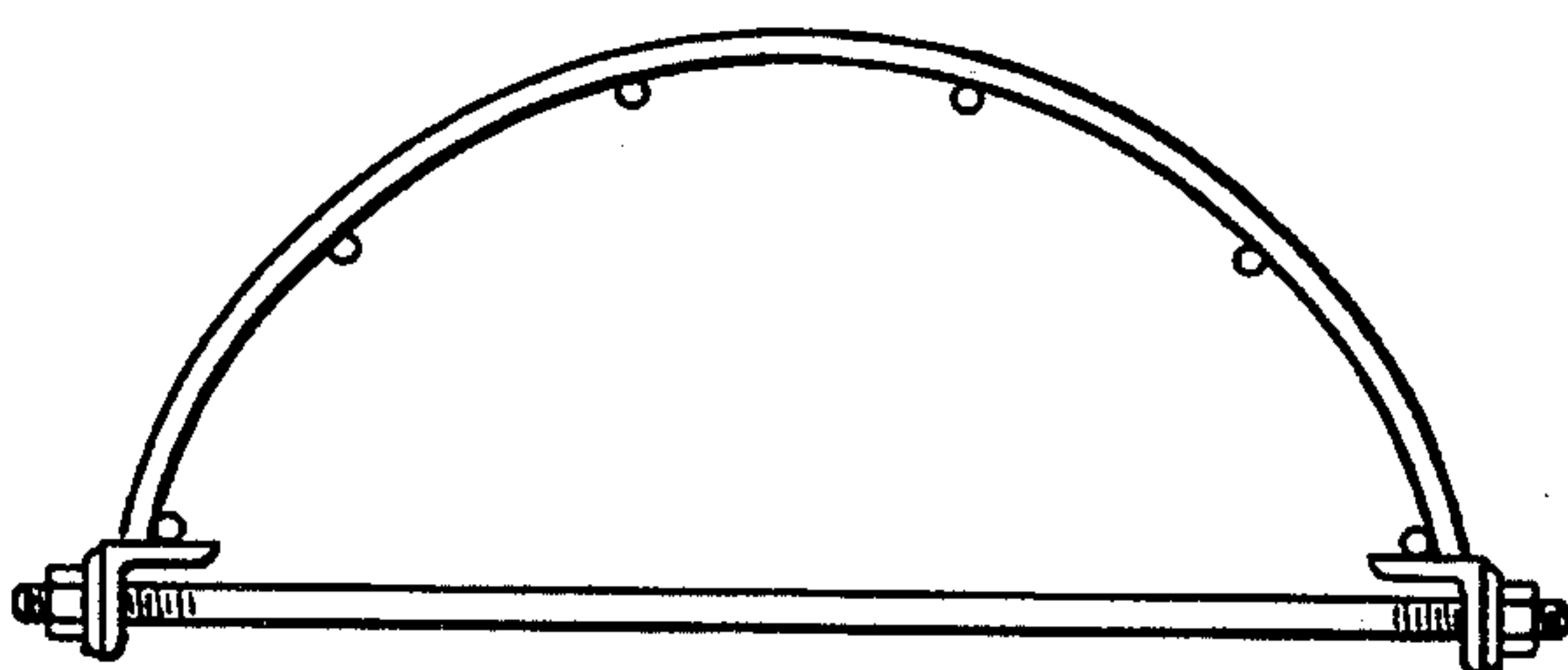


Fig. 3

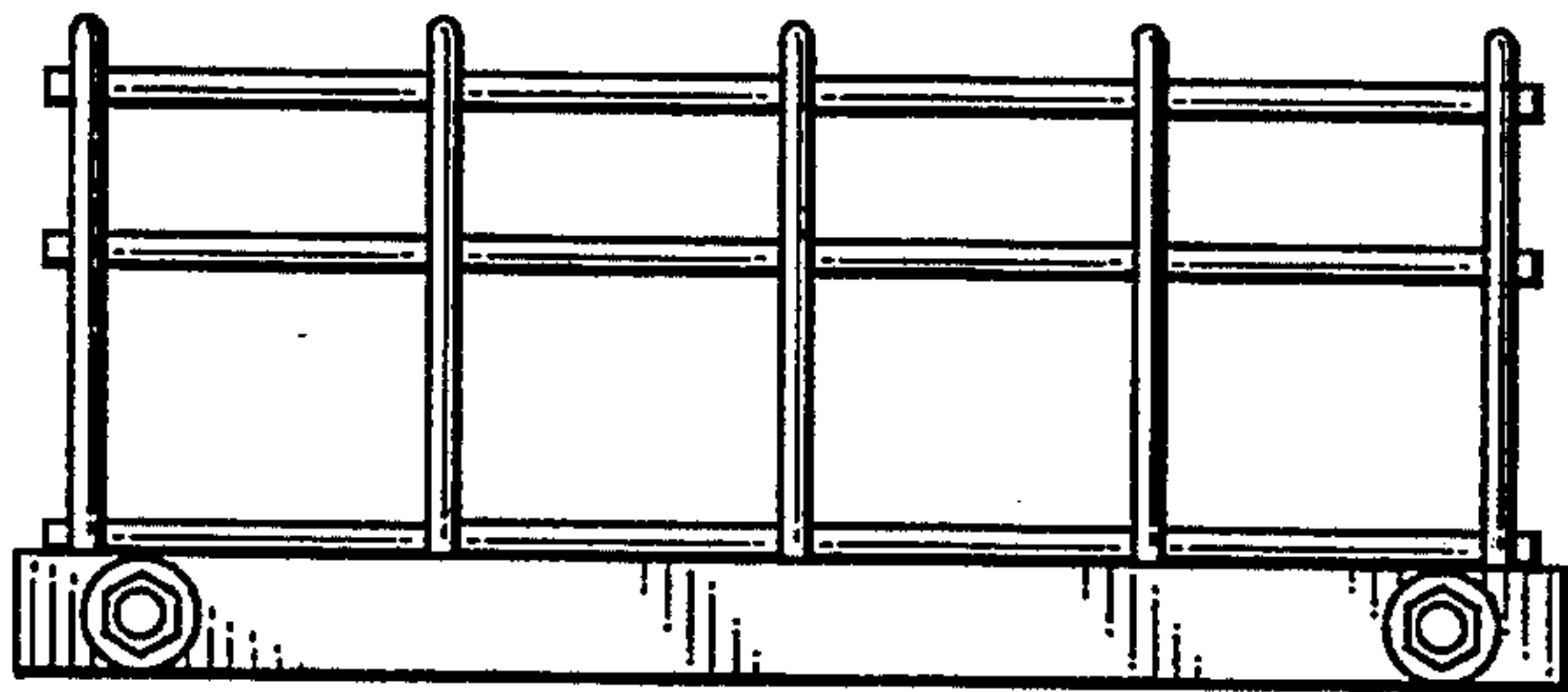


Fig. 4

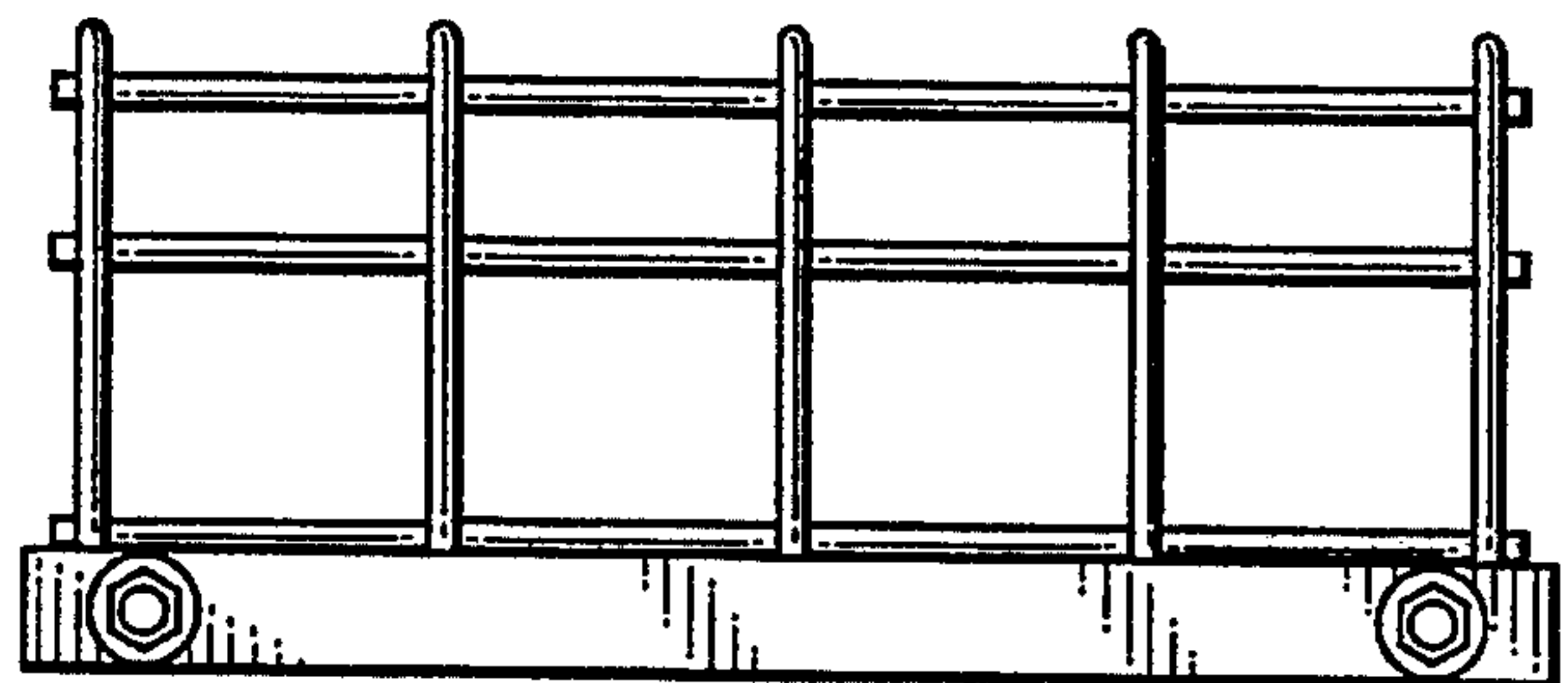


Fig. 5

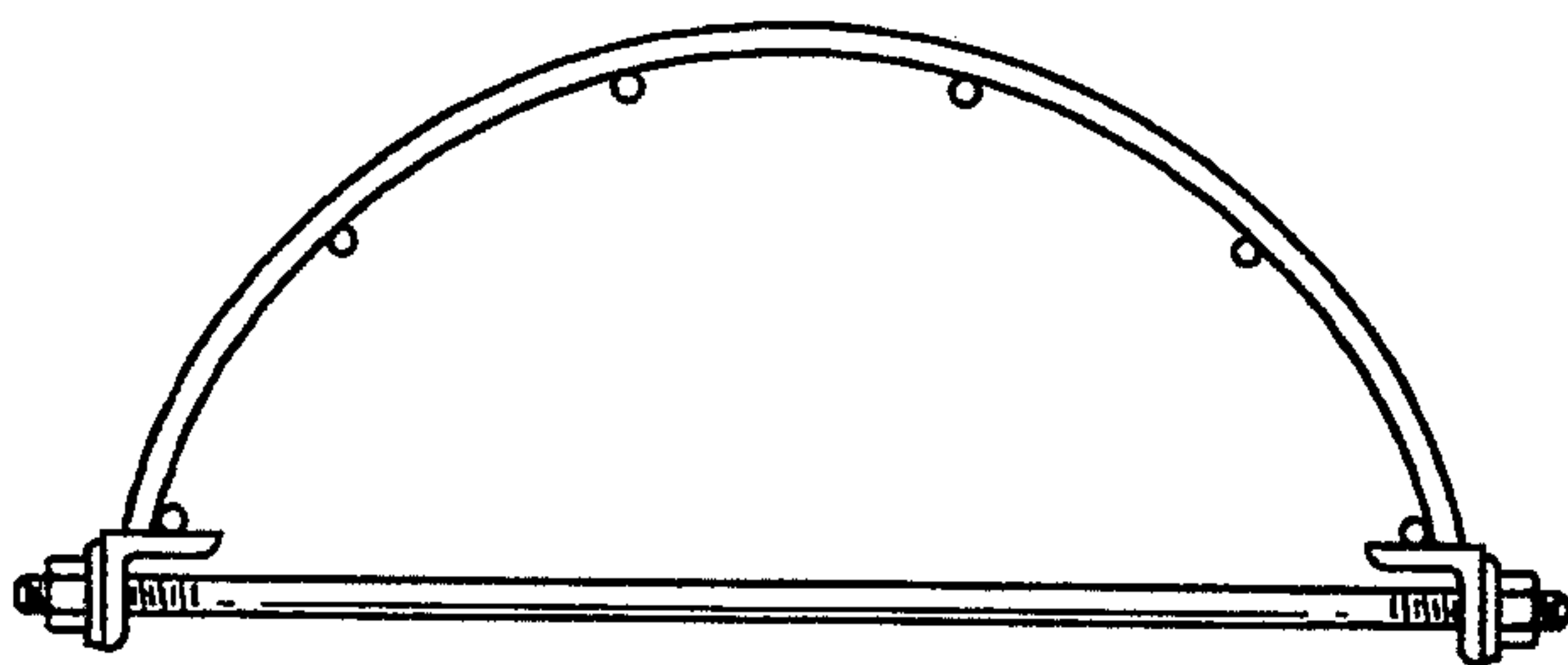


Fig. 6

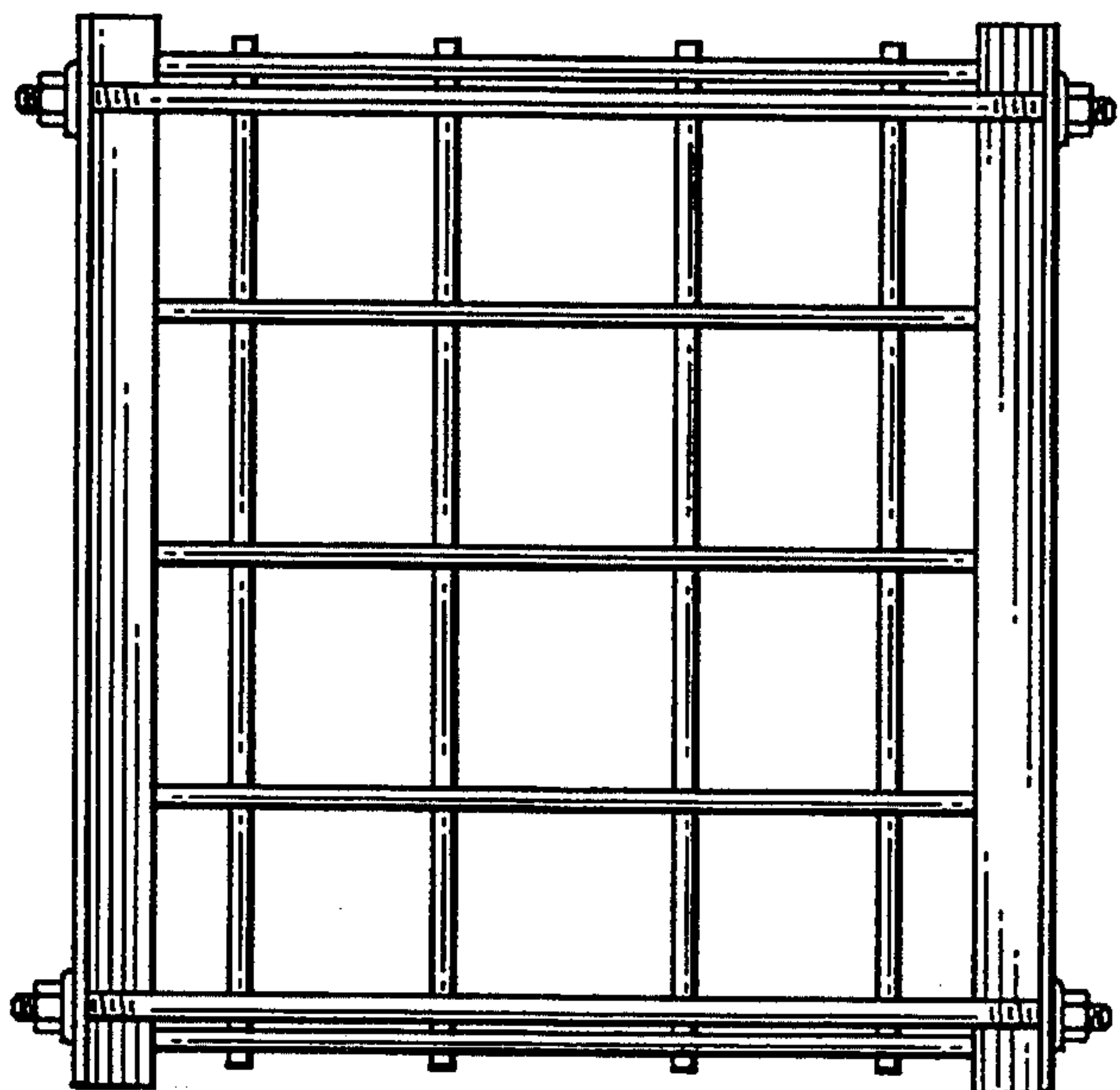


Fig. 7