



US00D354816S

# United States Patent [19]

[11] Patent Number: **Des. 354,816**

Horton

[45] Date of Patent: **\*\* Jan. 24, 1995**

- [54] KIOSK
- [75] Inventor: **Tony L. Horton, Dallas, Tex.**
- [73] Assignee: **T L Horton Design, Inc., Dallas, Tex.**
- [\*] Notice: The portion of the term of this patent subsequent to Sep. 20, 2008 has been disclaimed.
- [\*\*] Term: **14 Years**
- [21] Appl. No.: **6,032**
- [22] Filed: **Mar. 16, 1993**
- [52] U.S. Cl. .... **D25/16; D6/381**
- [58] Field of Search ..... **D25/7, 10, 1, 23, 26; 52/63, 66, 74; D6/370, 381, 396**

- D. 254,327 2/1980 Tasse ..... D25/16 X
- D. 313,077 12/1990 Minarro ..... D25/16
- D. 350,829 9/1994 Horton ..... D25/16
- 589,971 9/1897 Kephart ..... D25/16 X
- 2,836,860 6/1958 Staropoli ..... 52/63

*Primary Examiner*—A. Hugo Word  
*Assistant Examiner*—Doris V. Coles  
*Attorney, Agent, or Firm*—Ross, Howison, Clapp & Korn

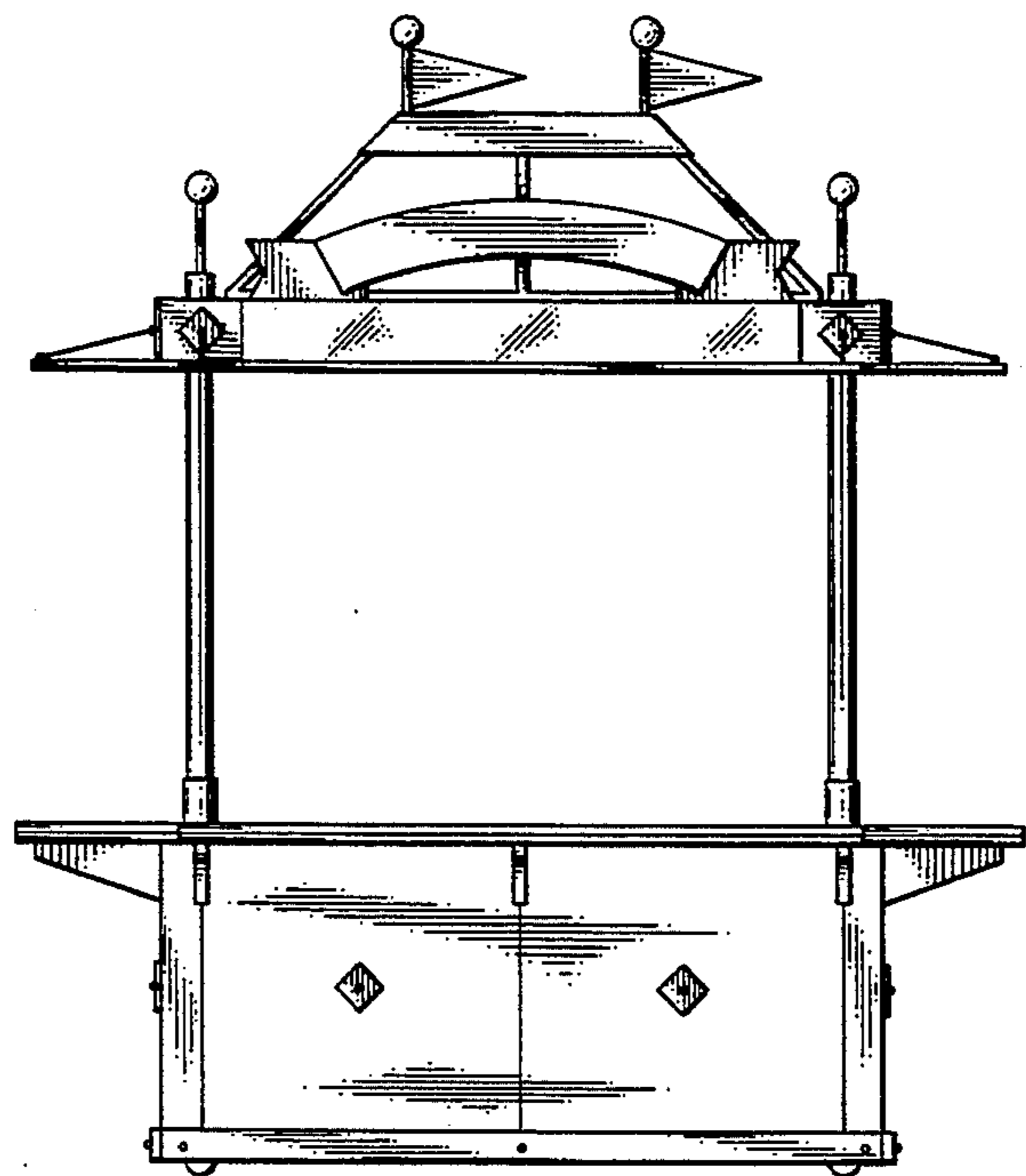
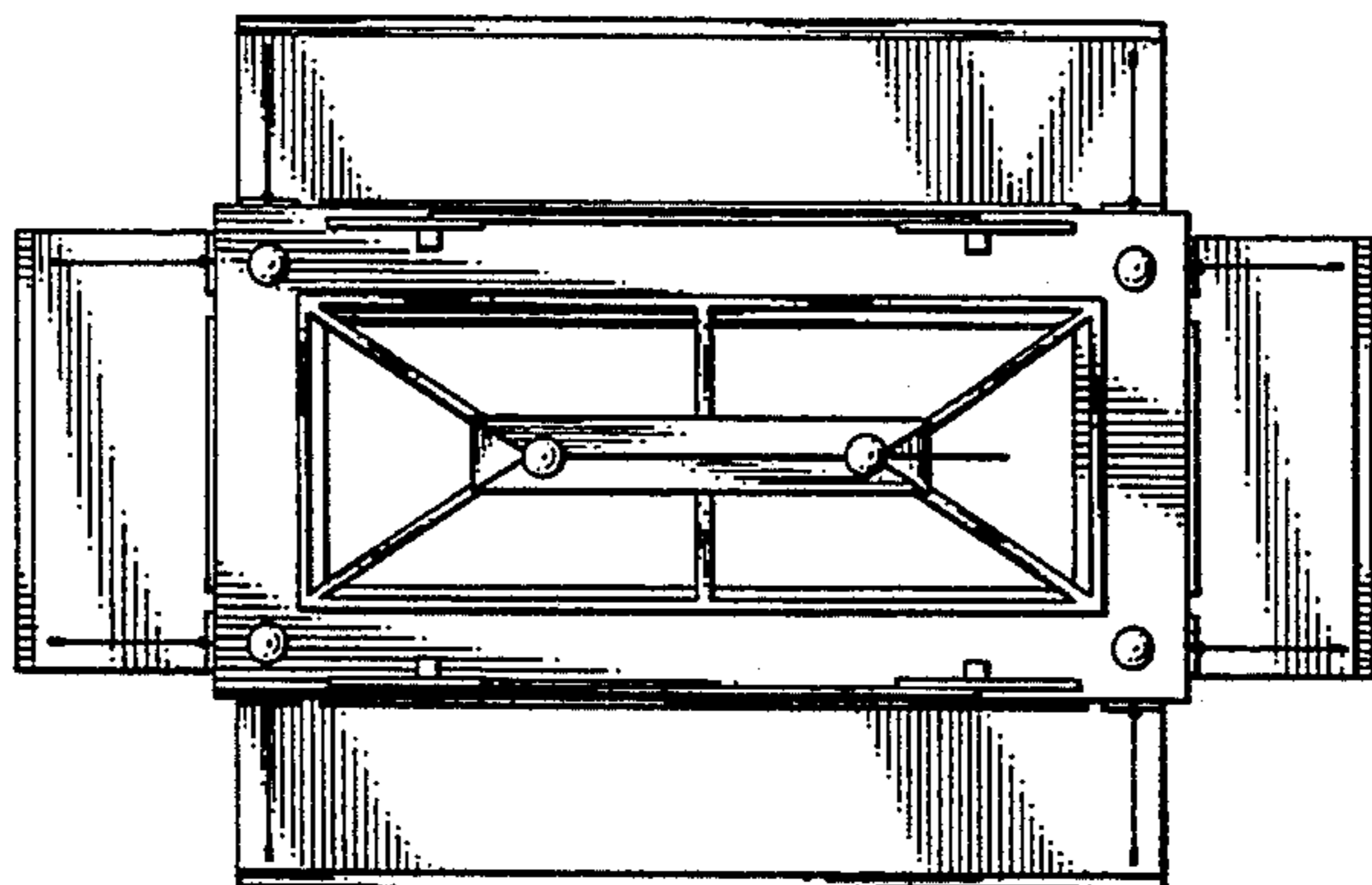
### [57] CLAIM

The ornamental design for kiosk, as shown and described.

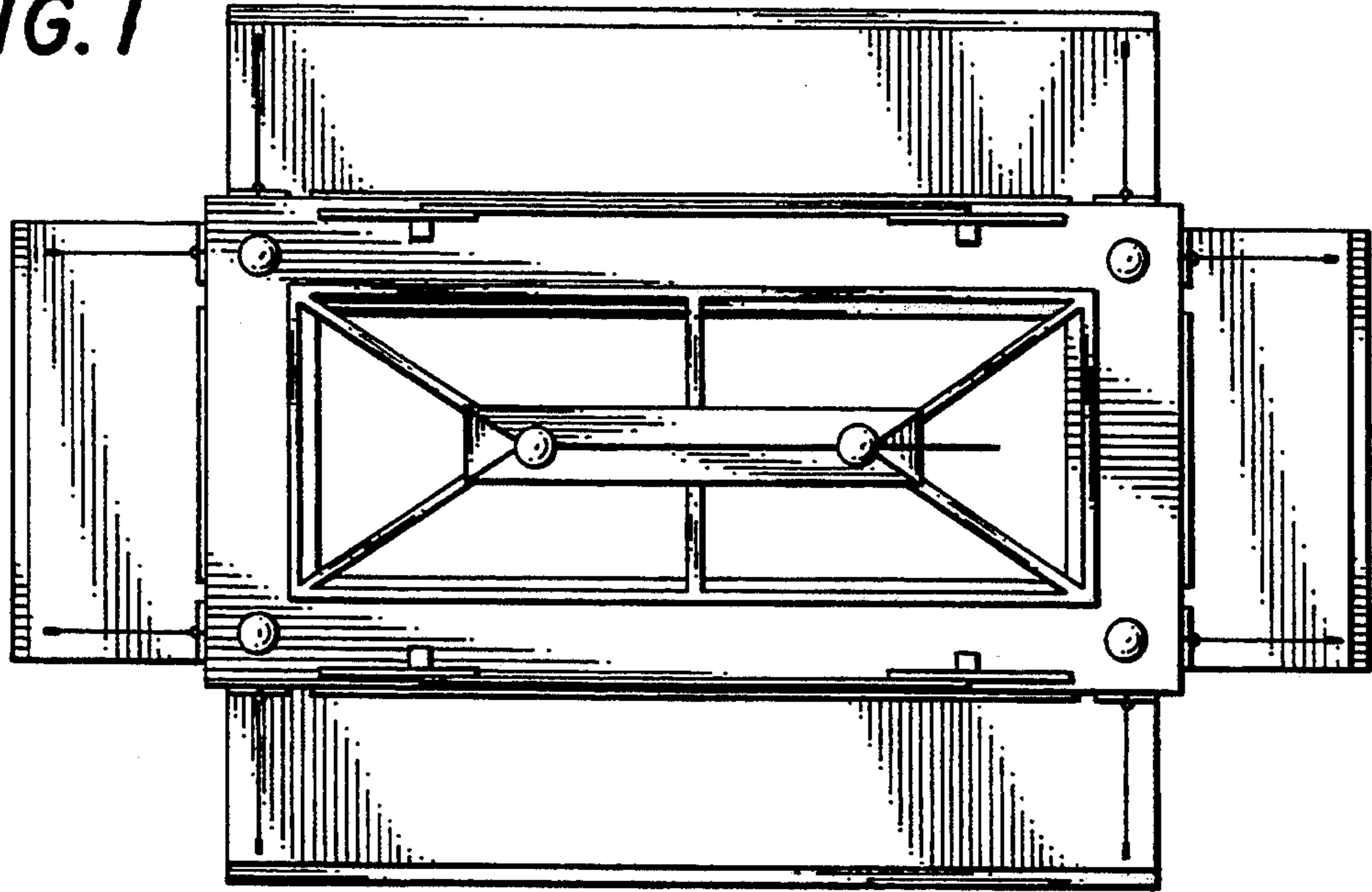
### DESCRIPTION

FIG. 1 is a top plan view of my invention;  
 FIG. 2 is a front elevational view thereof;  
 FIG. 3 is a rear elevational view thereof;  
 FIG. 4 is a side elevational view thereof, the opposite side view being a mirror image thereof; and,  
 FIG. 5 is a bottom plan view thereof.

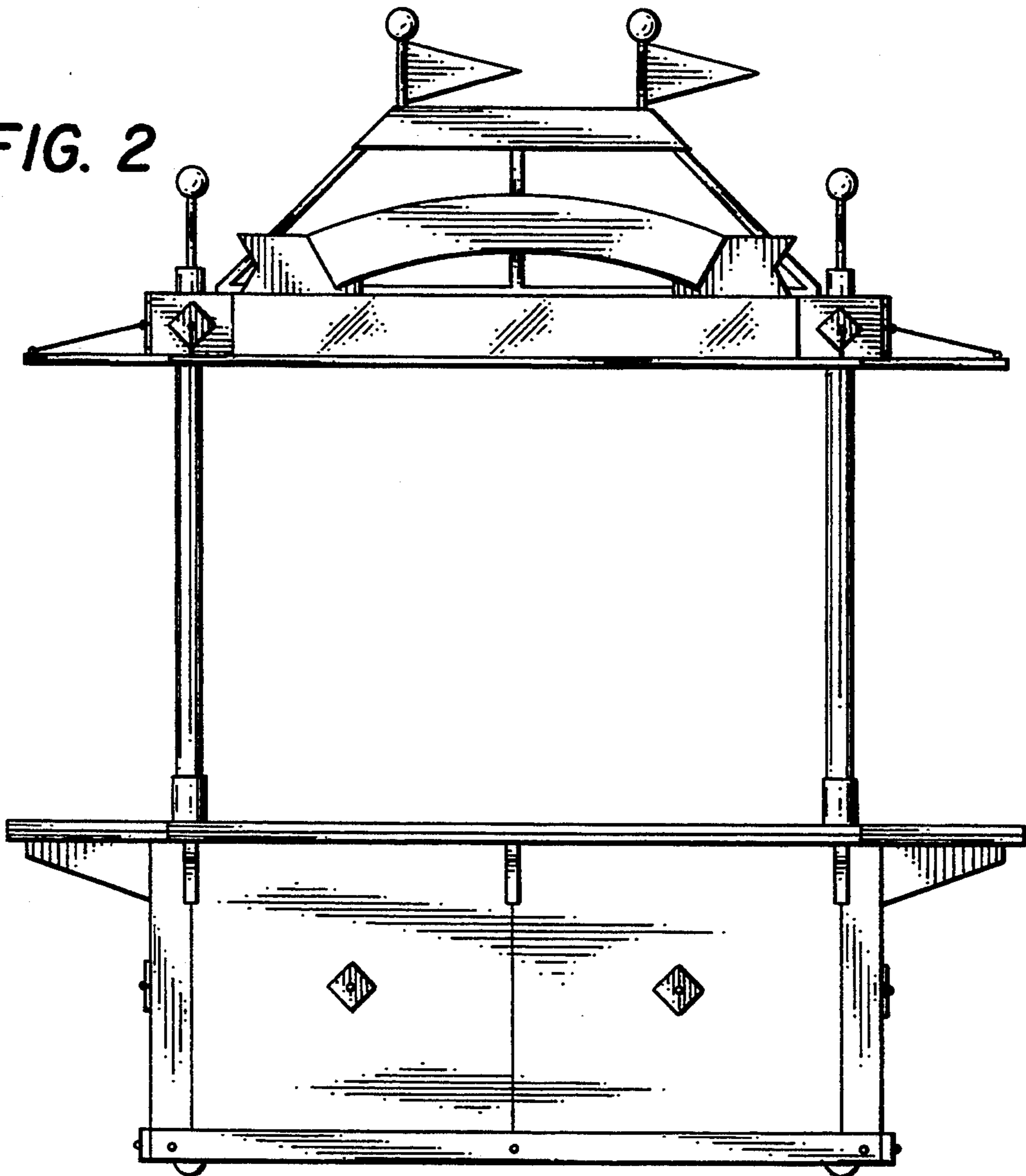
- [56] **References Cited**  
**U.S. PATENT DOCUMENTS**  
 D. 85,555 11/1931 Stebbings ..... D25/7



**FIG. 1**



**FIG. 2**



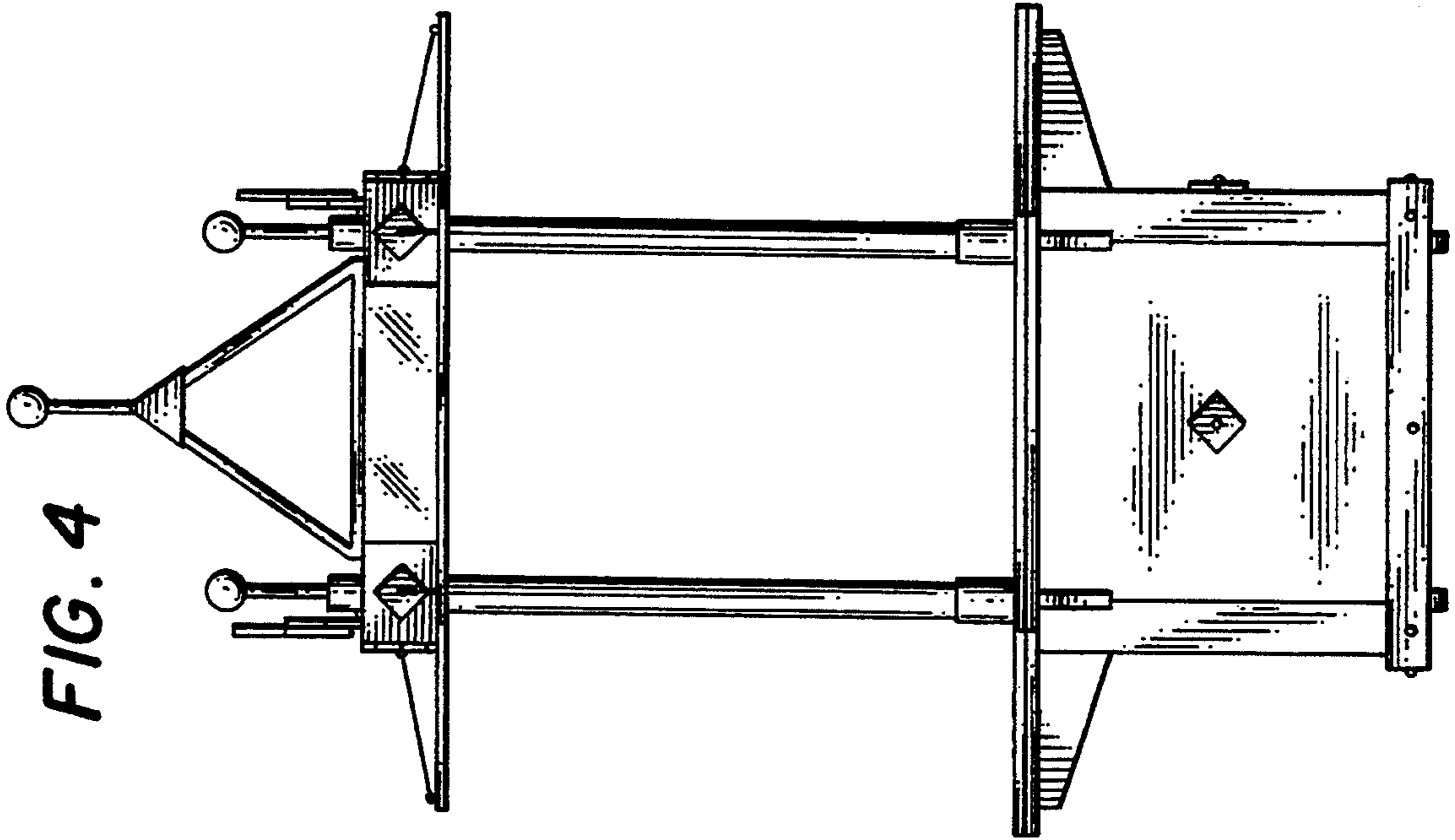


FIG. 4

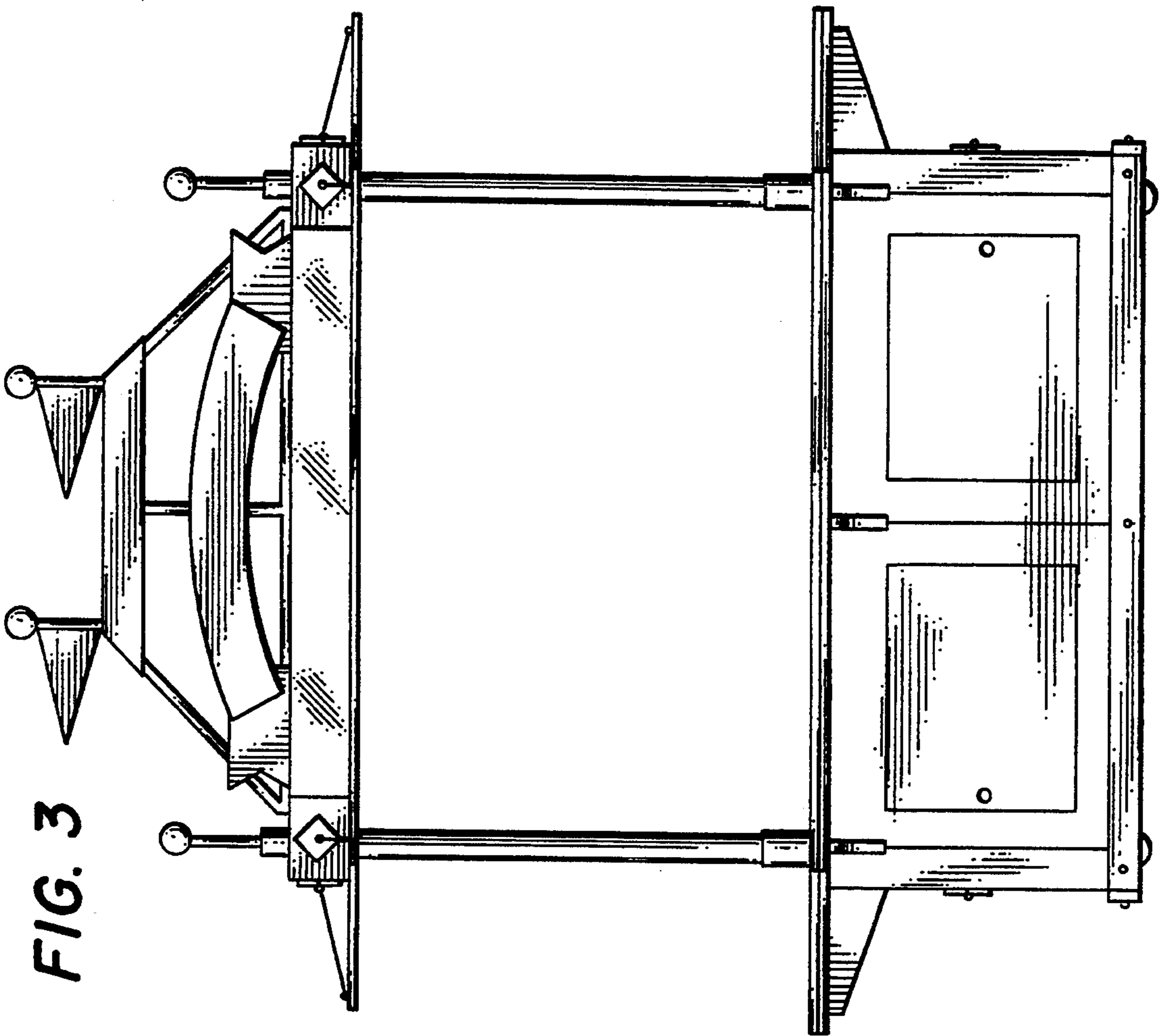


FIG. 3

**FIG. 5**

