



US00D354808S

United States Patent [19]

Sheehan et al.

[11] Patent Number: Des. 354,808

[45] Date of Patent: ** Jan. 24, 1995

[54] **END-TIDAL CARBON MONOXIDE MONITOR FILTER**

[75] Inventors: Neil J. Sheehan, Palo Alto; Scott R. Rouw, Union City; Robert T. Stone, Sunnyvale, all of Calif.

[73] Assignee: Natus Medical Incorporated, San Carlos, Calif.

[**] Term: 14 Years

[21] Appl. No.: 3,880

[22] Filed: Jan. 21, 1993

Related U.S. Application Data

[63] Continuation-in-part of Ser. No. 990,425, Dec. 15, 1992.

[52] U.S. Cl. D24/110; D24/162

[58] Field of Search D24/110, 162; 128/205.12, 204.22, 204.23, 719, 716

[56] References Cited

U.S. PATENT DOCUMENTS

3,960,142	6/1970	Elliott et al.	128/204.23	X
3,977,394	8/1976	Jones et al.	128/2.07	
4,210,137	7/1980	Henkin	128/200.24	
4,304,578	12/1981	Hakala et al.	55/189	
4,423,739	1/1984	Passaro	128/719	
4,456,014	6/1984	Buck et al.	128/719	
4,831,024	5/1989	Vreman et al.	514/185	
4,870,961	10/1989	Barnard	128/202.27	
4,886,528	12/1989	Aaltonen et al.	55/158	
4,892,095	1/1990	Nakhgevany	128/207.14	
4,924,860	3/1990	Larsen et al.	128/205.12	
4,968,887	11/1990	Wong	250/343	
5,000,175	3/1991	Pue	128/207.14	
5,003,985	4/1991	White et al.	128/716	
5,031,613	7/1991	Smith et al.	128/207.14	
5,293,875	3/1994	Stone	128/204.22	X

FOREIGN PATENT DOCUMENTS

9325142 12/1993 WIPO .

OTHER PUBLICATIONS

Yeung et al. "Automatic End Expiratory Air Sampling Device for breath Hydrogen Test in Infants", The Lancet, vol. 337, pp. 90-93 Jan. 1991.

Product Literature-Z-World Engineering Little Giant Miniature Microcontroller (One page).

Product Literature-Servomex Mode 1505 Co₂ Infrared Transducer brochure (2 pages) and technical note (9 pages) Jul. 1991.

Product literature-KNF Diaphragm Micro Pump Type NMP 02 (2 pages).

Primary Examiner—A. Hugo Word

Assistant Examiner—I. Simmons

Attorney, Agent, or Firm—Davis Hoxie Faithfull & Hapgood

[57] CLAIM

The ornamental design for a an end tidal carbon monoxide monitor filter, as shown and described.

DESCRIPTION

FIG. 1 is a front perspective view of an end-tidal carbon monoxide monitor filter showing our new design;

FIG. 2 is a front elevational view of the filter as seen from the left side of FIG. 1;

FIG. 3 is a rear elevational view as seen from the rear of FIG. 1;

FIG. 4 is a side elevational view as seen from the rear of FIG. 1;

FIG. 5 is a bottom plan view of the filter unit of FIG. 4; and,

FIG. 6 is a front perspective view of a second embodiment of an end-tidal carbon monoxide monitor filter showing our new design.

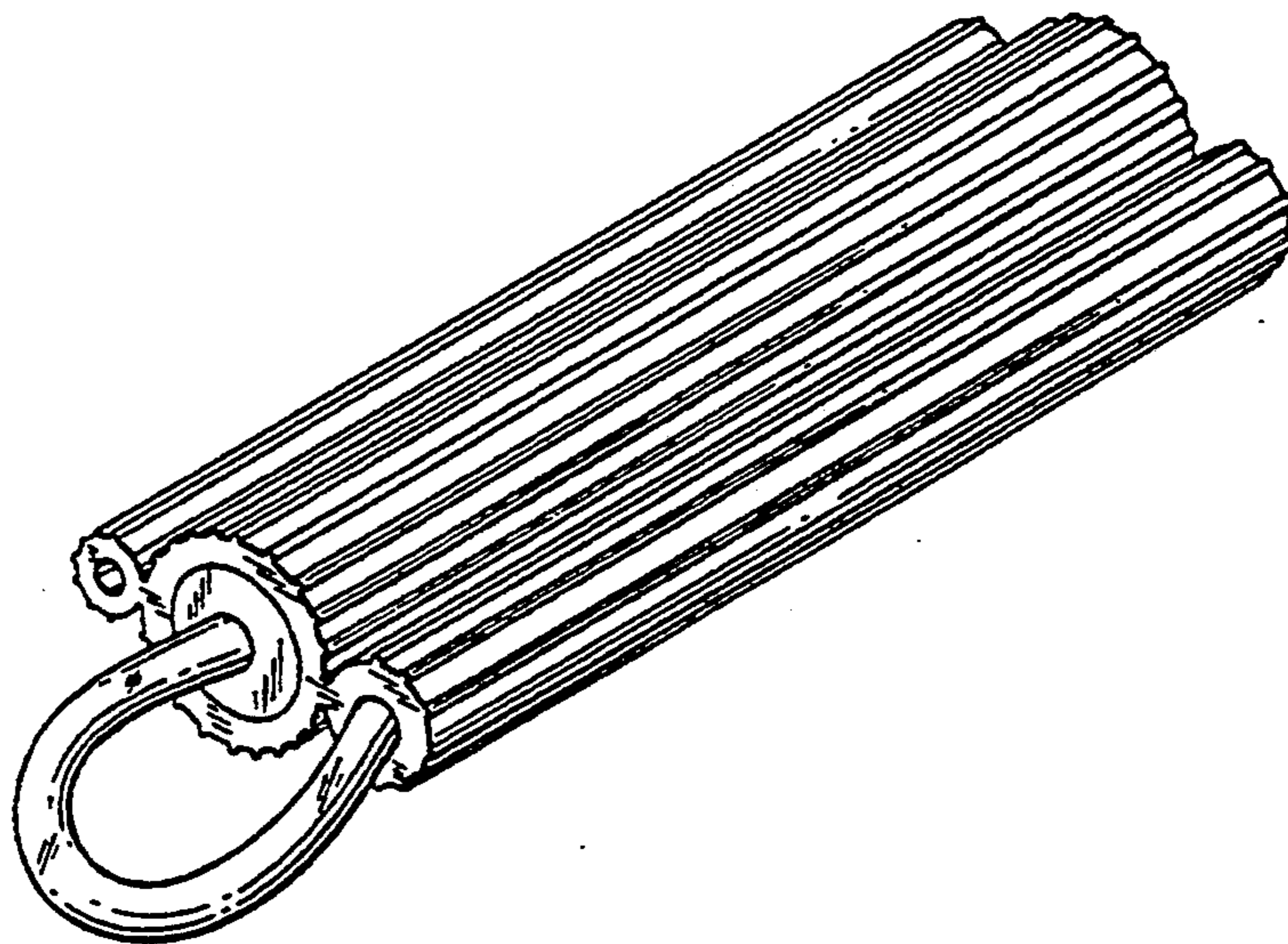
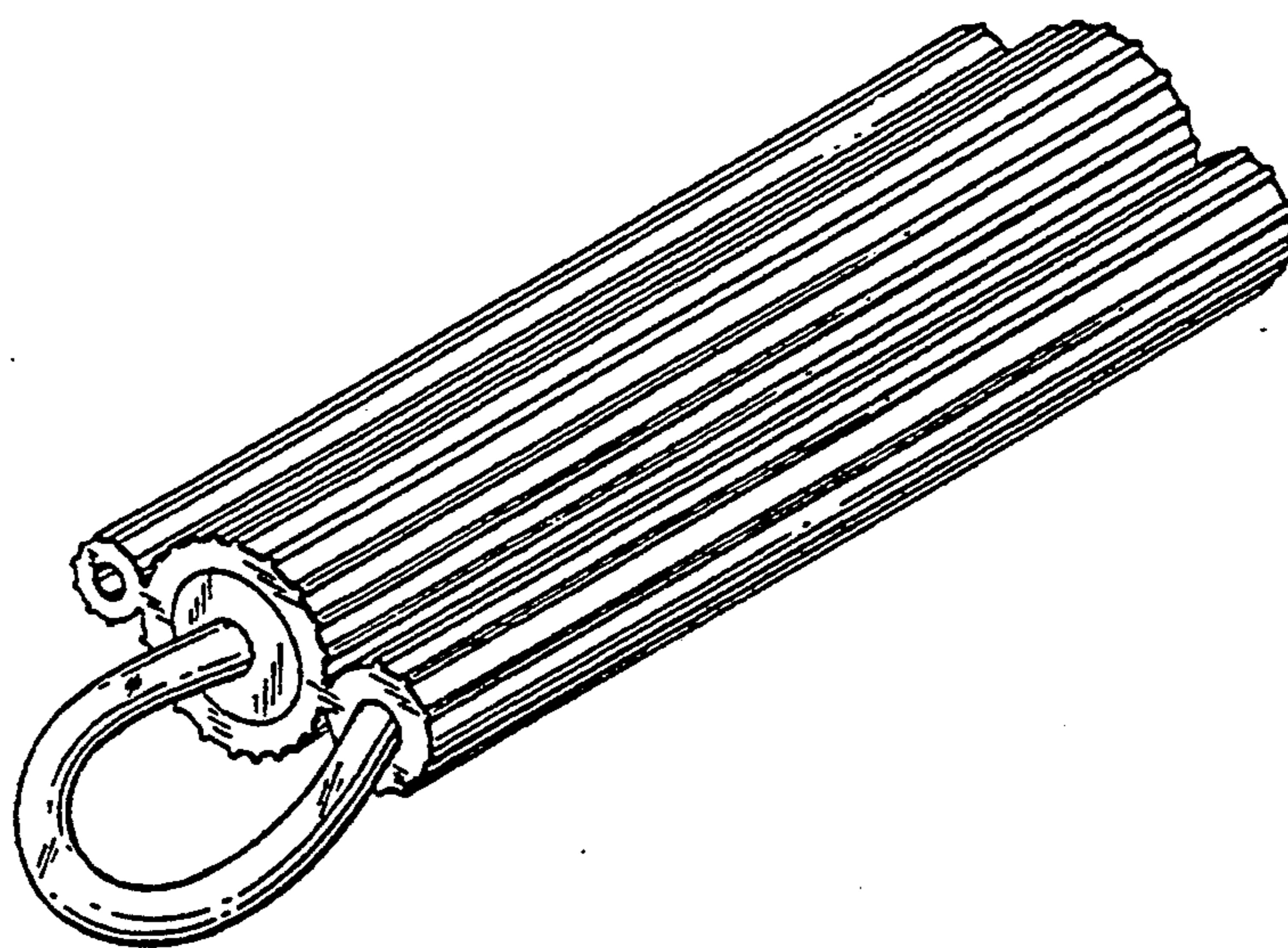


FIG. 1



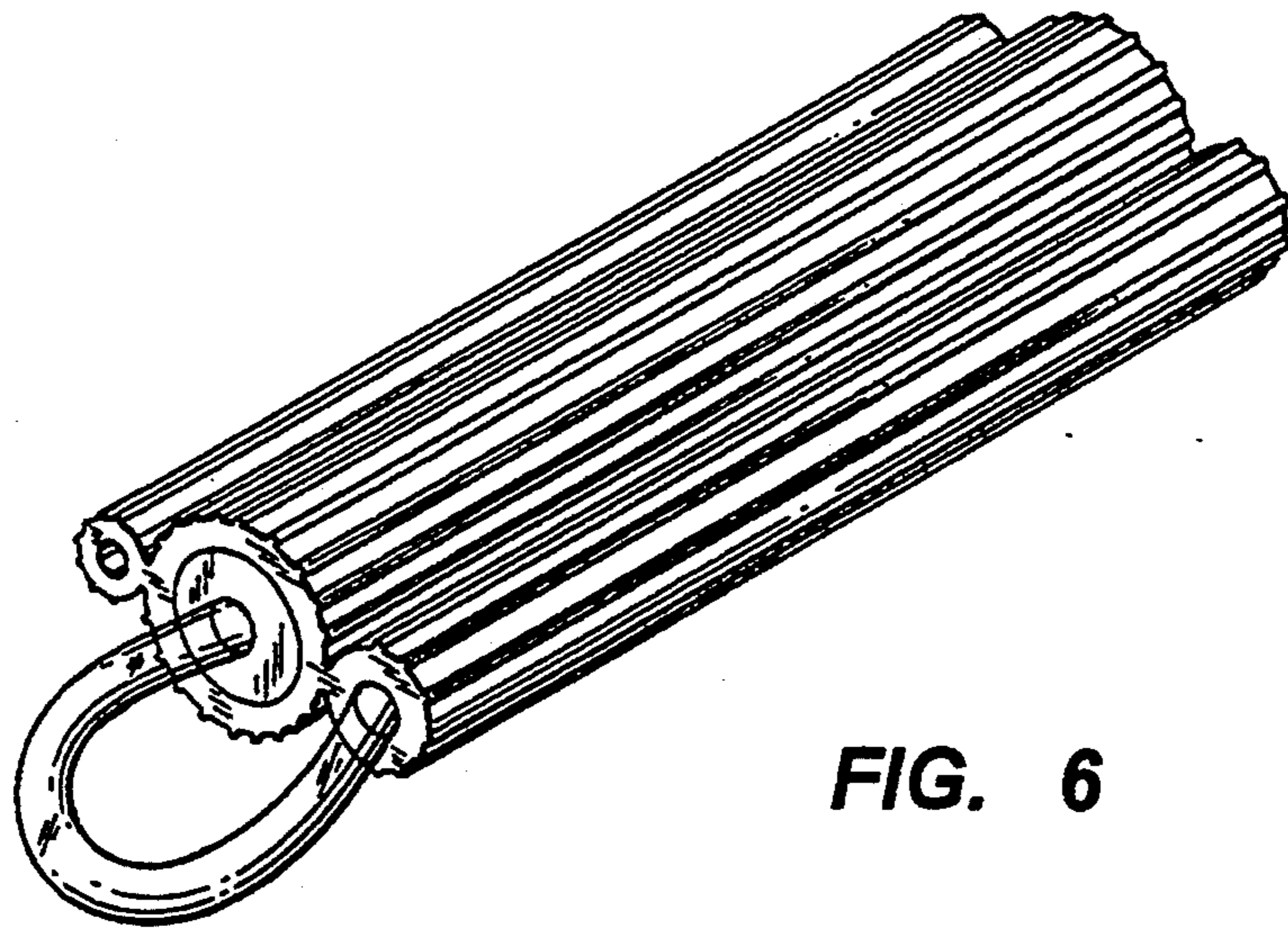


FIG. 6

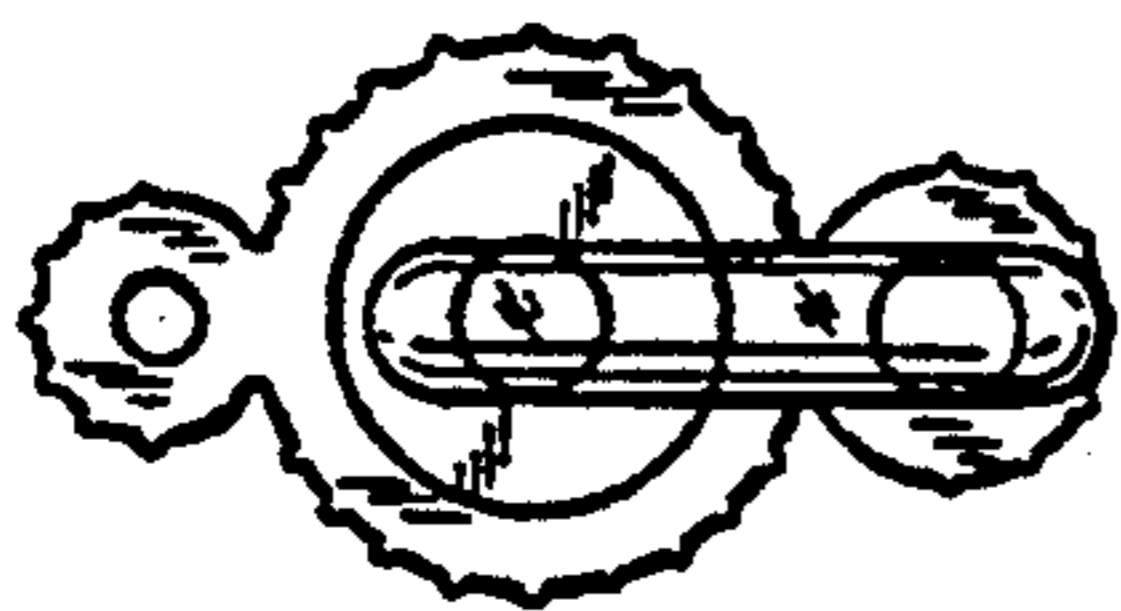


FIG. 2

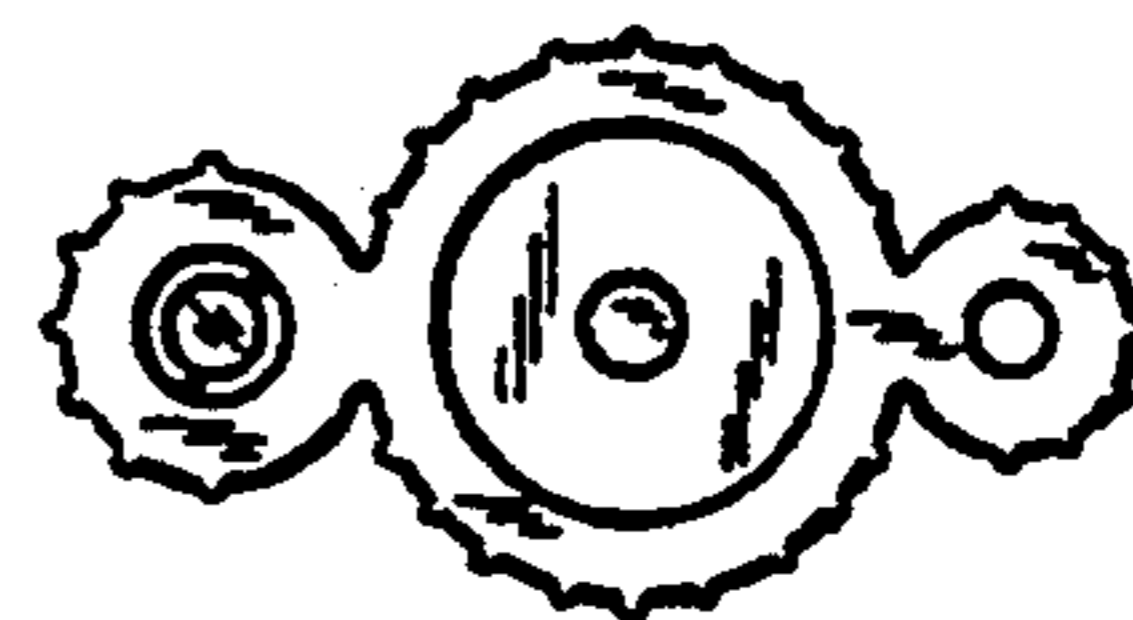


FIG. 3

FIG. 4

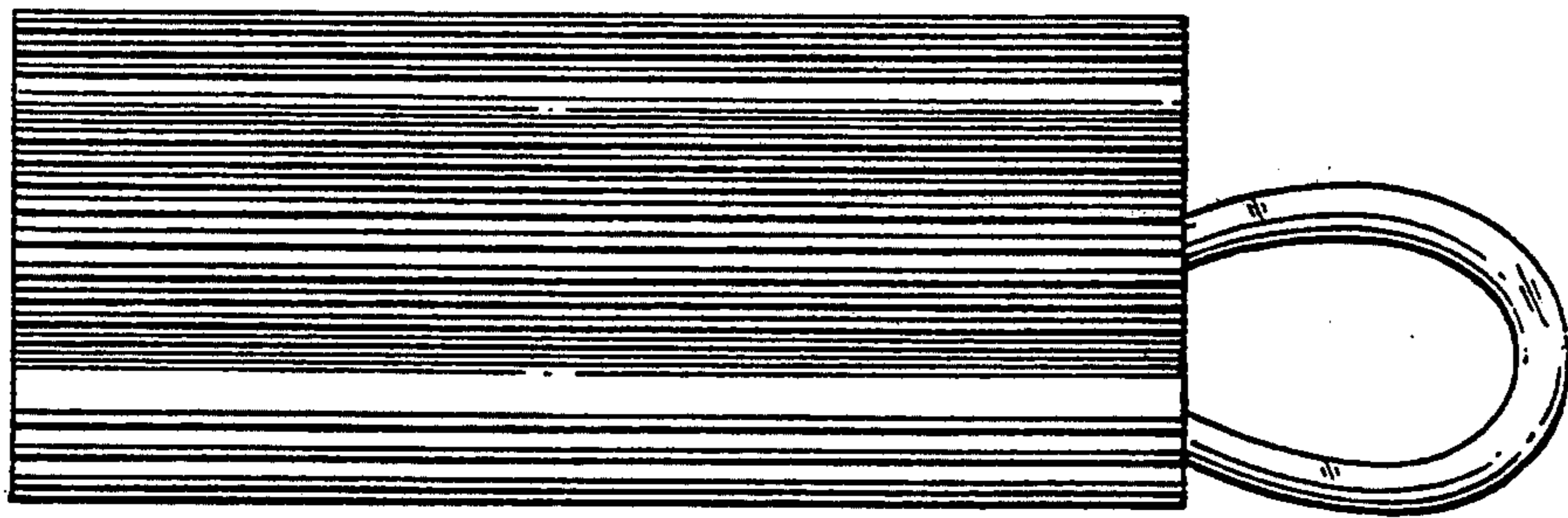


FIG. 5