



US00D354800S

United States Patent [19]

[11] Patent Number: **Des. 354,800**

Sundberg

[45] Date of Patent: **** Jan. 24, 1995**

- [54] **HANDLE FOR COMPOSTING TOILET**
- [76] Inventor: **Henric Sundberg**, 5035 North Service Rd., Unit C9, Burlington, Ontario, Canada, L7L 5V2
- [**] Term: **14 Years**
- [21] Appl. No.: **12,327**
- [22] Filed: **Aug. 30, 1993**
- [52] U.S. Cl. **D23/252; D8/309**
- [58] Field of Search **D23/252, 250, 253, 295, D23/309, 310; D8/309, DIG. 1; D15/142; 74/543, 545, 546, 547; 4/449, 612, 614, 605, DIG. 12; 403/44**

Primary Examiner—James R. Largen
Assistant Examiner—Eric Watterson

[57] **CLAIM**

The ornamental design for handle for a composting toilet, as shown and described.

DESCRIPTION

FIG. 1 is a front perspective view of a composting toilet drawn in dashed outline to show surrounding structure, the subject handle being shown in a stored orientation disposed in association with the toilet;

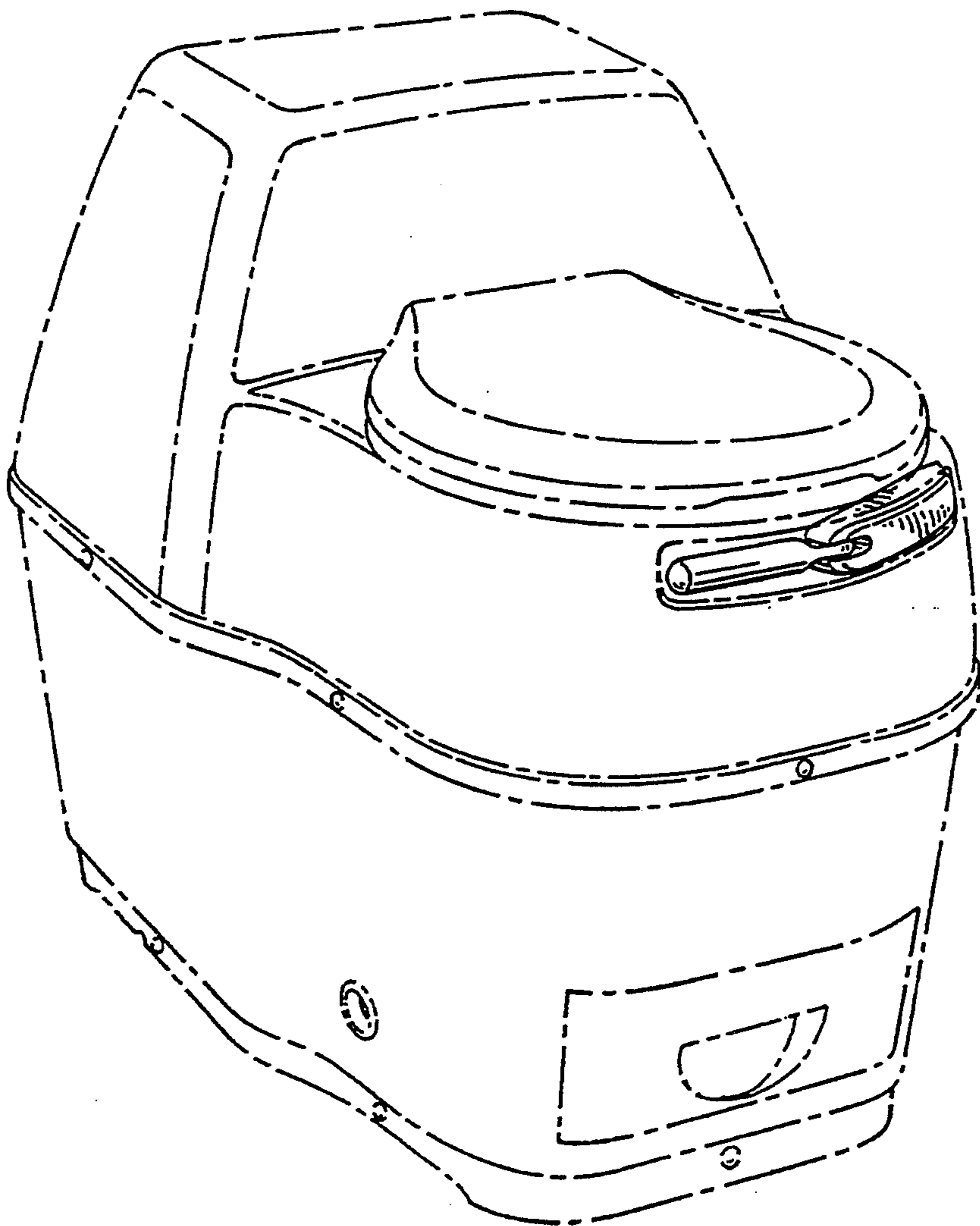
FIG. 2 is a similar view to FIG. 1 showing the handle in an operative orientation;

FIG. 3 (drawn to a larger scale) is a front perspective view of the handle in the operative orientation shown in FIG. 2;

FIG. 4 (drawn to a larger scale) is a rear perspective view of the handle in the operative orientation shown in FIG. 2; and,

Three (3) sheets of drawings showing the said Industrial Design are hereunto annexed.

- [56] **References Cited**
- U.S. PATENT DOCUMENTS**
- D. 333,254 2/1993 Ringle D8/308
- 579,277 3/1897 Lord 74/543 X
- 3,341,235 9/1967 Mattson et al. 403/234
- 3,602,065 8/1971 Ratcliff 74/543 X



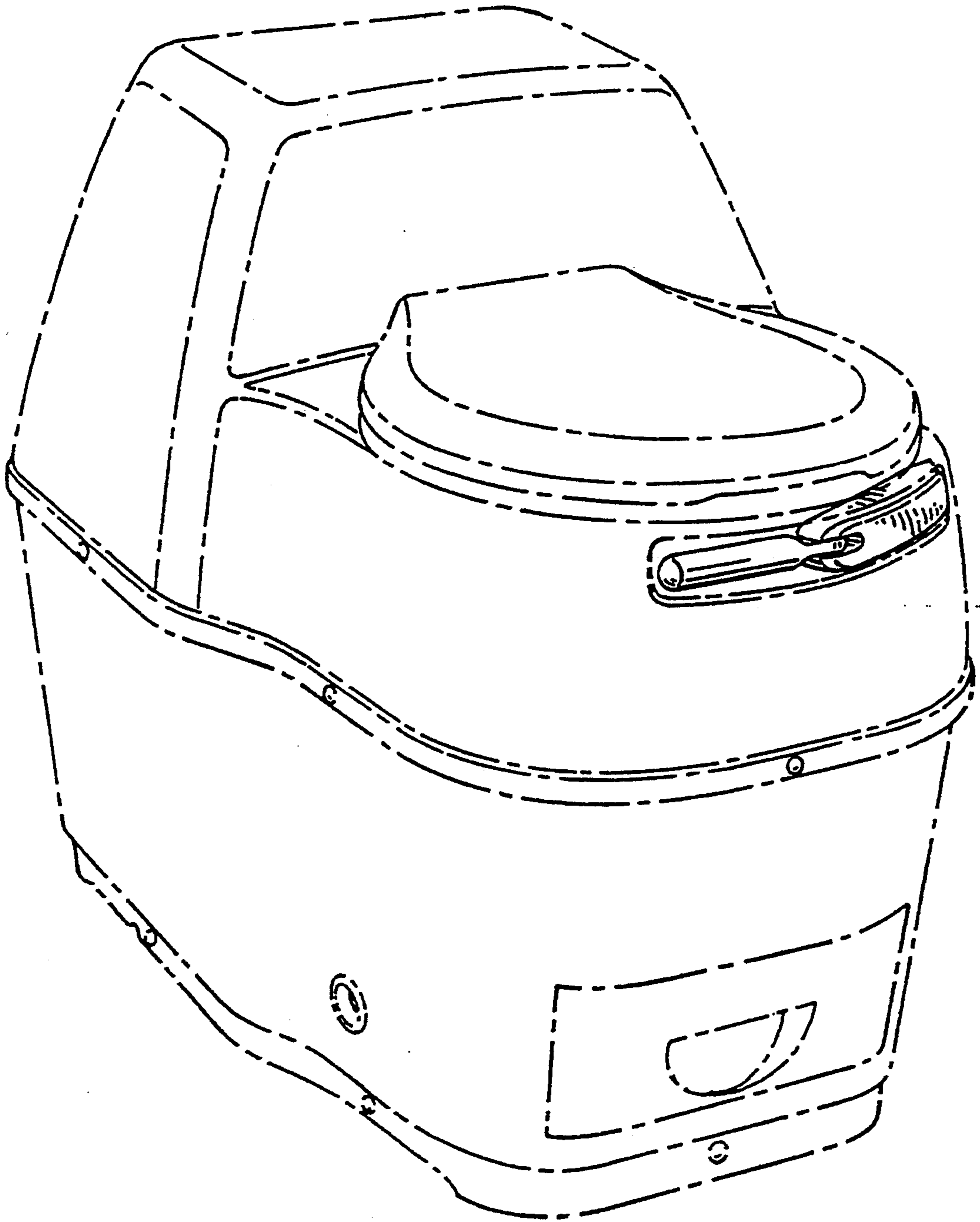


FIG. 1

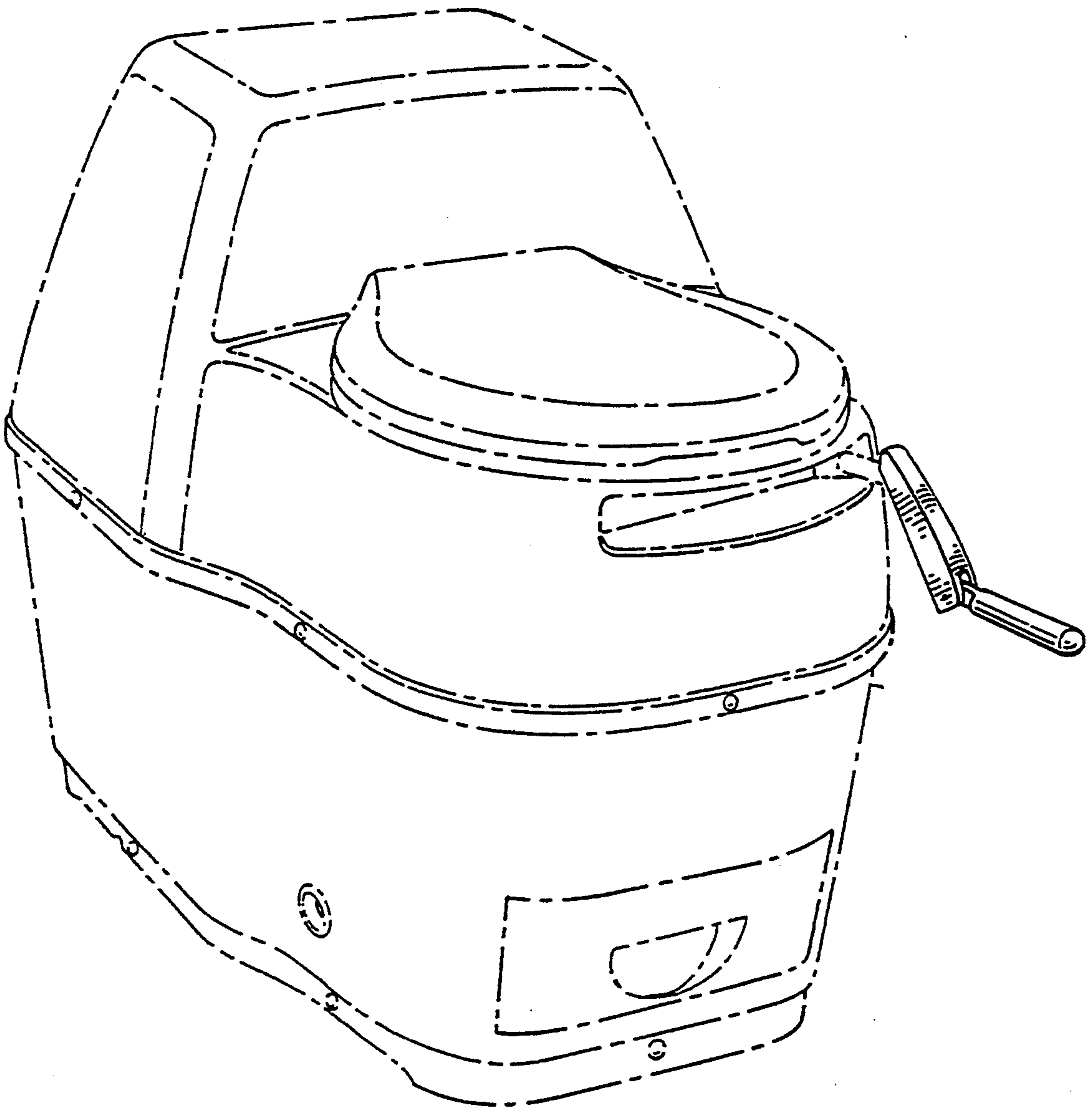


FIG. 2

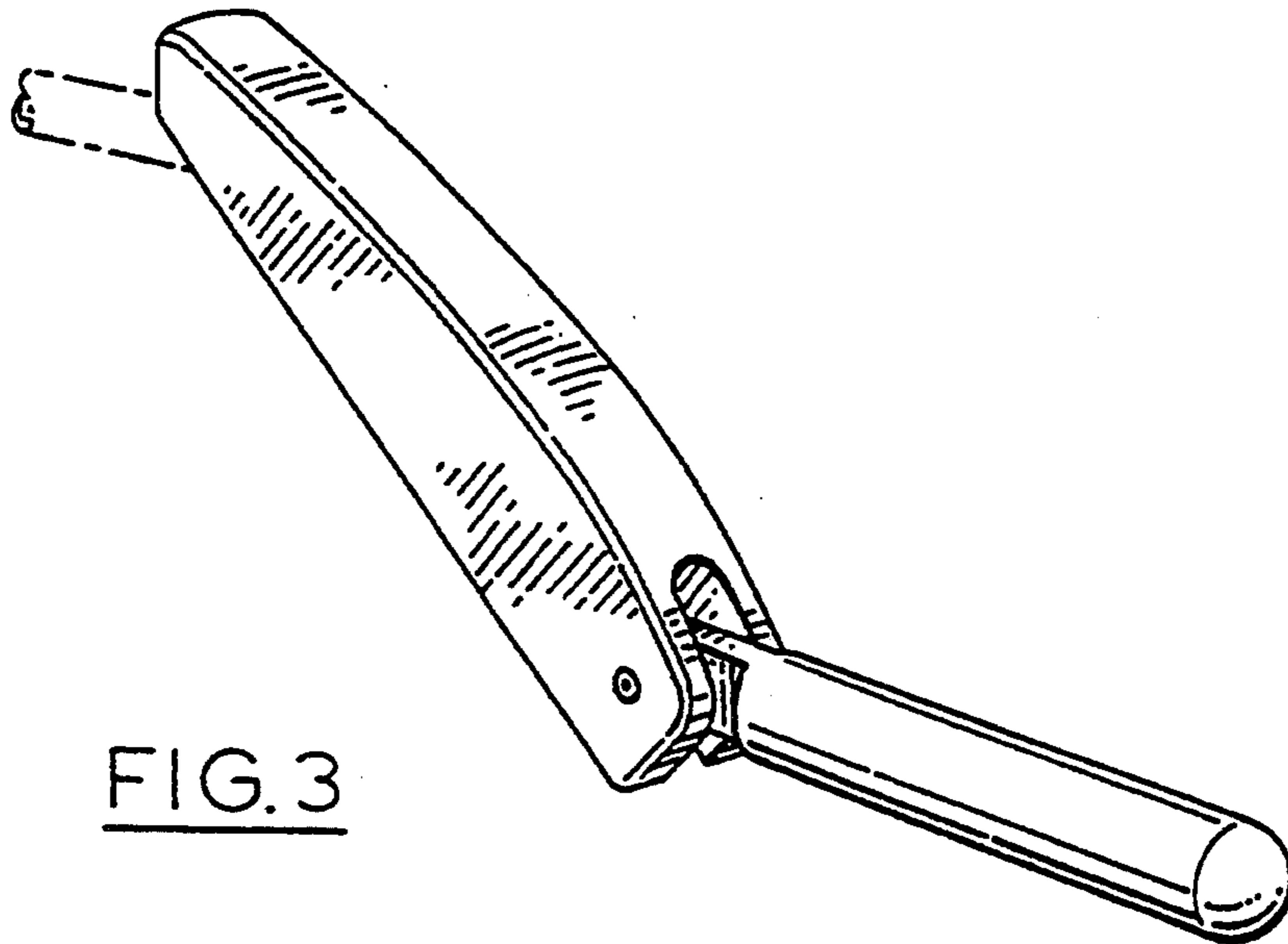


FIG. 3

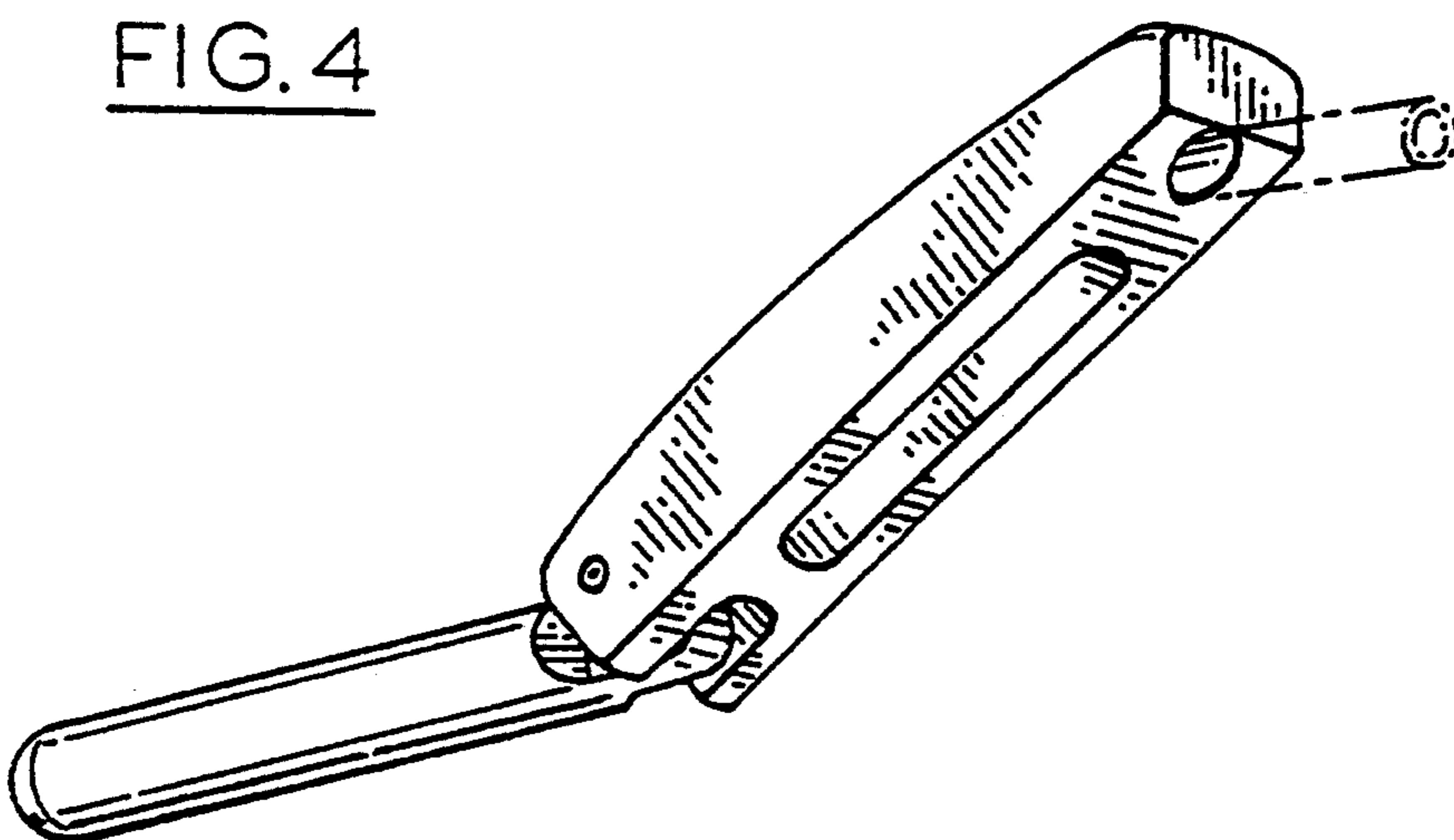


FIG. 4