



US00D354799S

United States Patent [19] Self

[11] Patent Number: **Des. 354,799**
[45] Date of Patent: **** Jan. 24, 1995**

[54] MANIFOLD

[76] Inventor: Fred Self, 933 Parkside Dr.,
Richmond, Calif. 94803

[**] Term: 14 Years

[21] Appl. No.: 4,761

[22] Filed: Feb. 12, 1993

[52] U.S. Cl. D23/259

[58] Field of Search D23/259-263;
D15/5, 6; 285/130, 150; 137/887, 893; 123/52
M, 52 ML, 52 MC

[56] **References Cited**

U.S. PATENT DOCUMENTS

906,393	12/1908	Dock	123/52 ML
1,789,361	1/1931	Good	123/52 ML
2,980,087	4/1961	Ball	123/52 ML
3,823,737	7/1974	Szymanski	285/150 X

Primary Examiner—A. Hugo Word
Assistant Examiner—Eric Watterson
Attorney, Agent, or Firm—Bielen, Peterson & Lampe

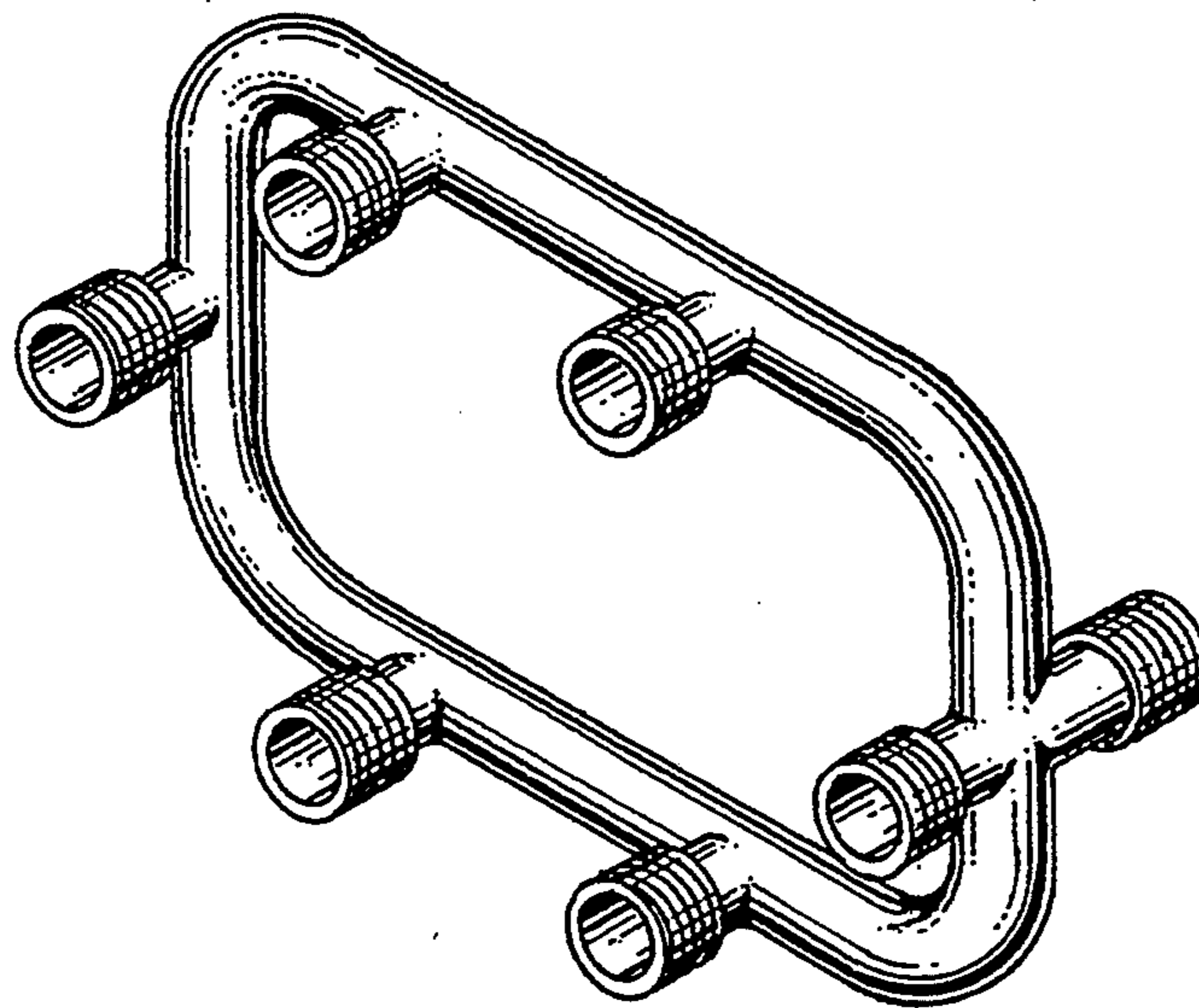
[57] **CLAIM**

The ornamental design for a manifold, as shown and described.

DESCRIPTION

FIG. 1 is a perspective view of the first embodiment of the present invention showing my new design;
FIG. 2 is a front elevational view;
FIG. 3 is a top plan view;

FIG. 4 is a bottom plan view;
FIG. 5 is a left end view;
FIG. 6 is a right end view;
FIG. 7 is a rear elevation view thereof;
FIG. 8 is a top right perspective view of the second embodiment of the present invention;
FIG. 9 is a front elevational view;
FIG. 10 is a top plan view;
FIG. 11 is a bottom plan view;
FIG. 12 is a left end view;
FIG. 13 is a right end view;
FIG. 14 is a rear elevational view thereof;
FIG. 15 is a top right perspective view of a third embodiment of my new design;
FIG. 16 is a front elevational view;
FIG. 17 is a top plan view;
FIG. 18 is a bottom plan view;
FIG. 19 is a left end view;
FIG. 20 is a right end view;
FIG. 21 is a rear elevational view thereof;
FIG. 22 is a top right perspective view of a fourth embodiment of my new design;
FIG. 23 is a front elevational view;
FIG. 24 is a top plan view;
FIG. 25 is a bottom view;
FIG. 26 is a left end view;
FIG. 27 is a right end view;
FIG. 28 is a rear elevational, thereof;
FIG. 29 is a top right perspective of a fifth embodiment of my new design;
FIG. 30 is a rear elevational view;
FIG. 31 is a bottom plan view; and,
FIG. 32 is a right end view, thereof, the left end view being identical to FIG. 26.



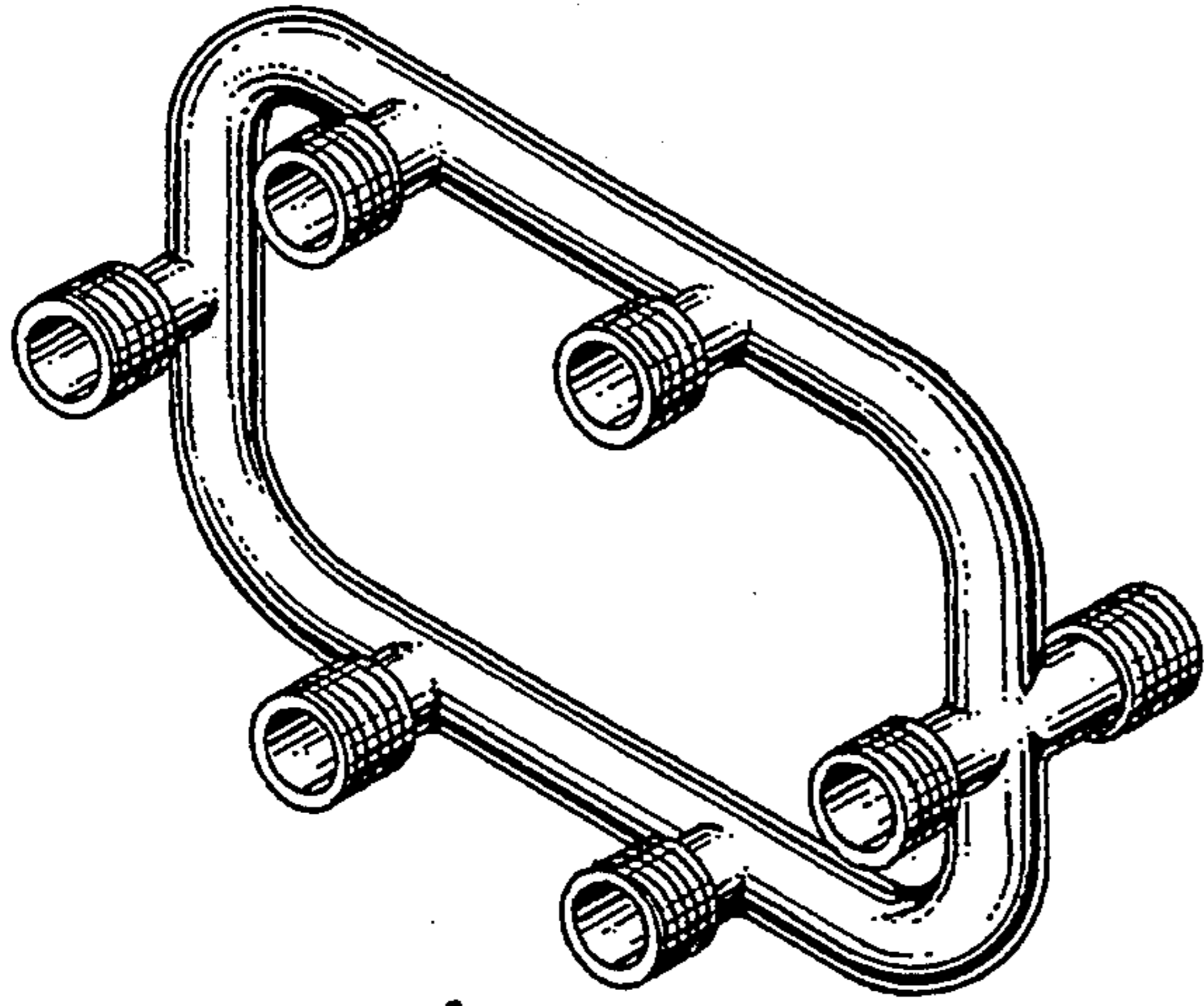


FIG-1

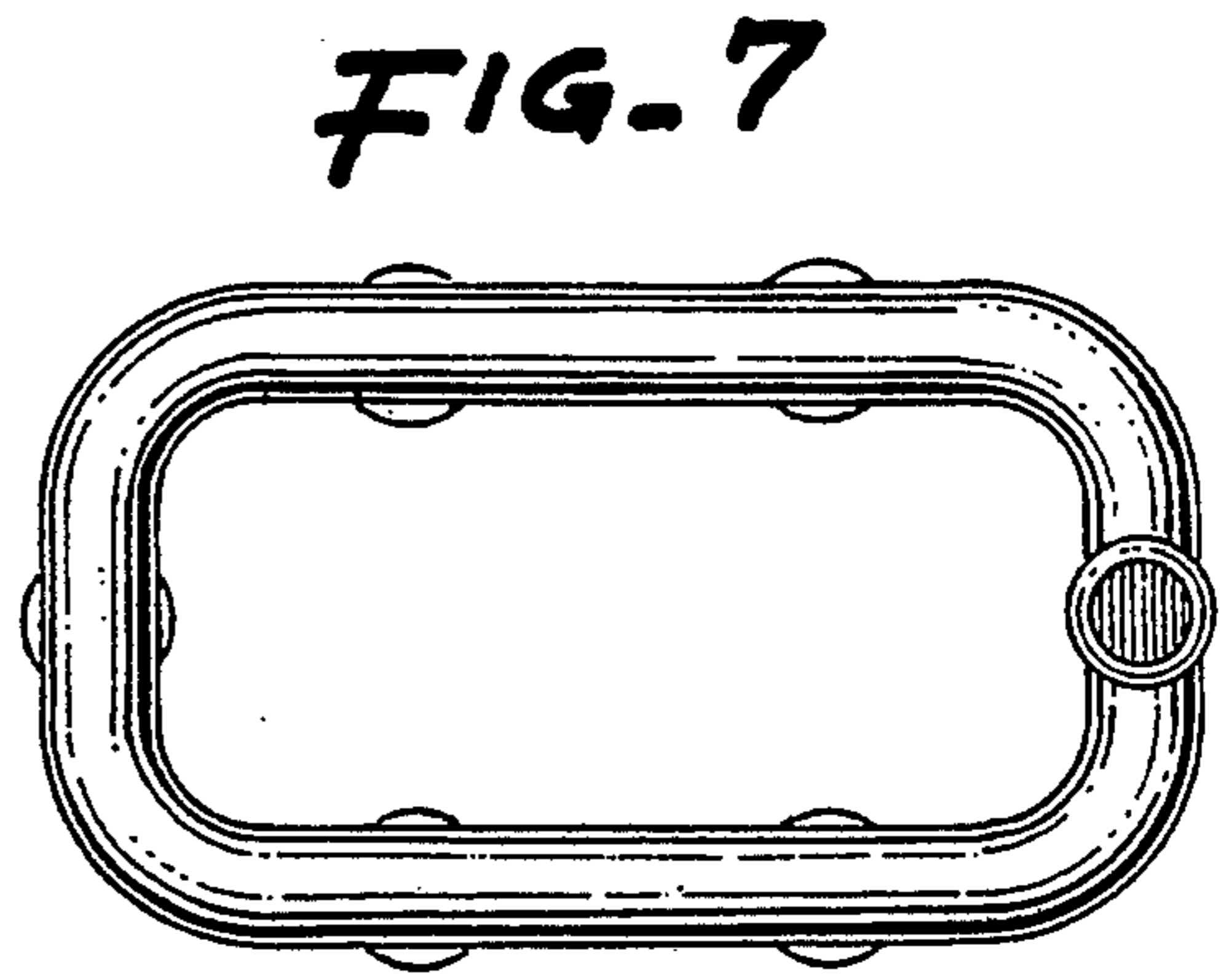


FIG-7

FIG-3

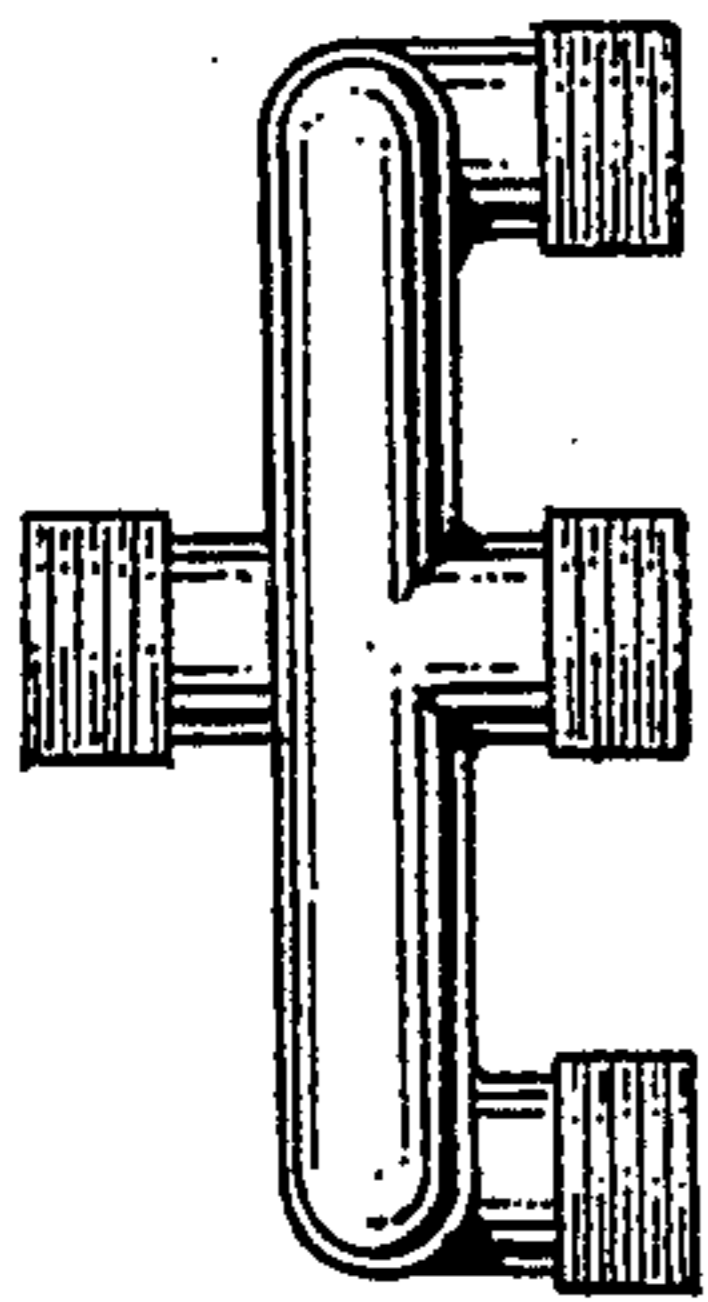
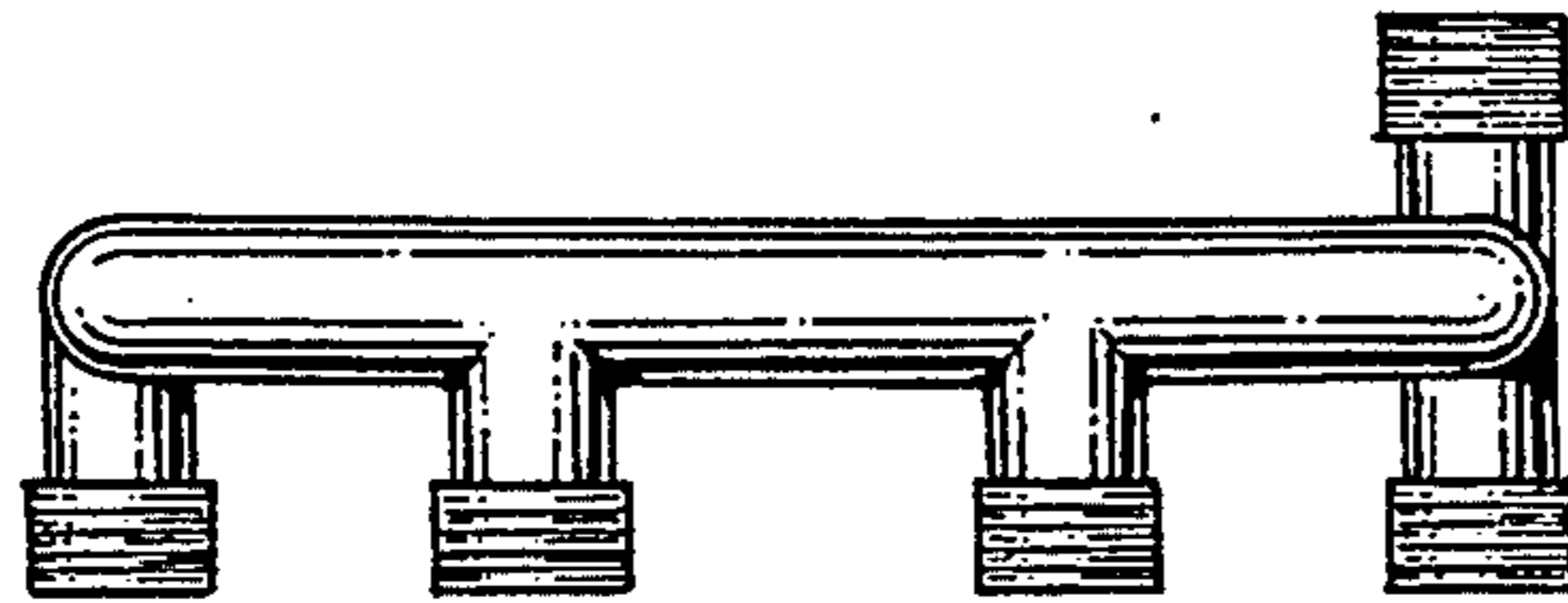


FIG-5

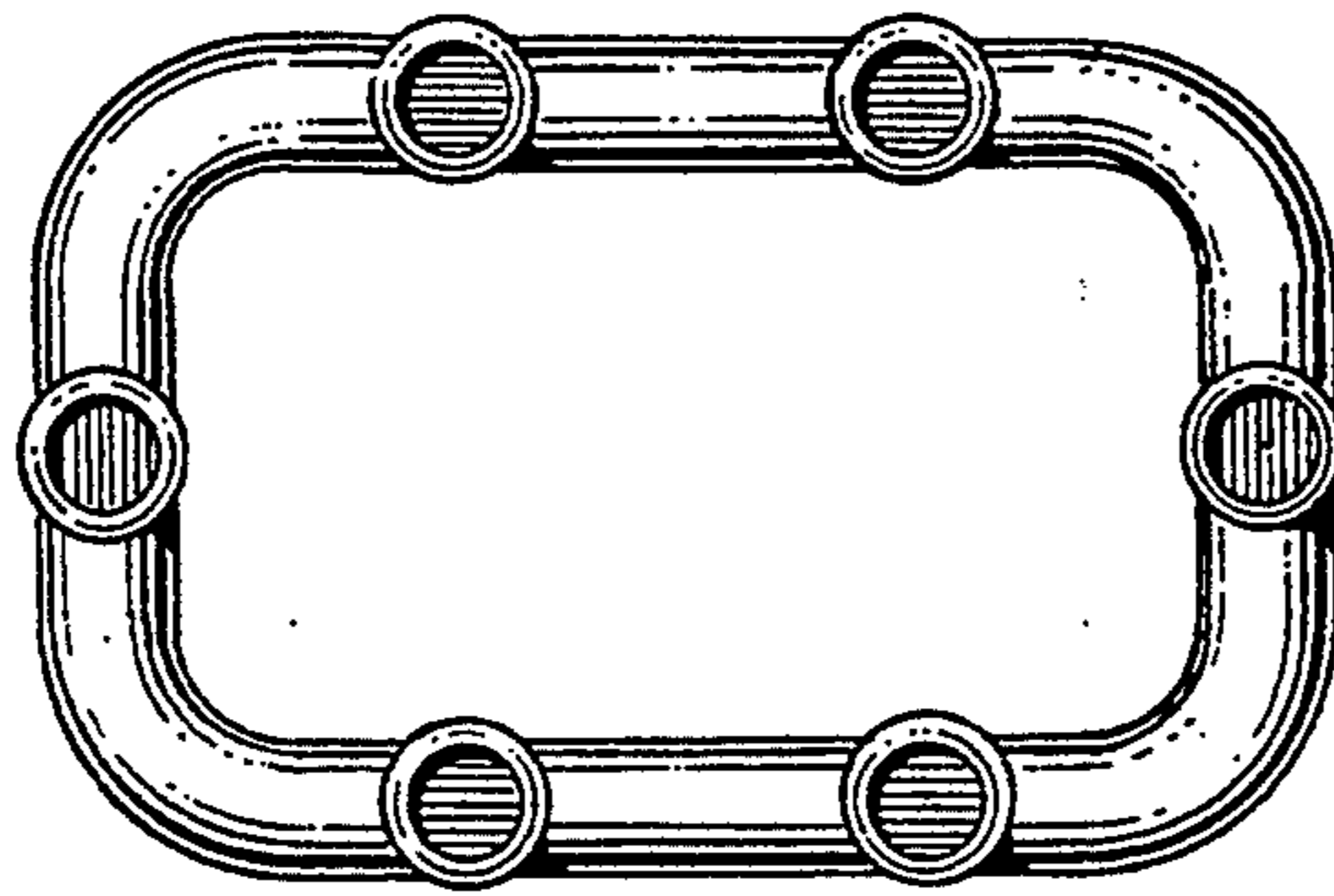


FIG-2

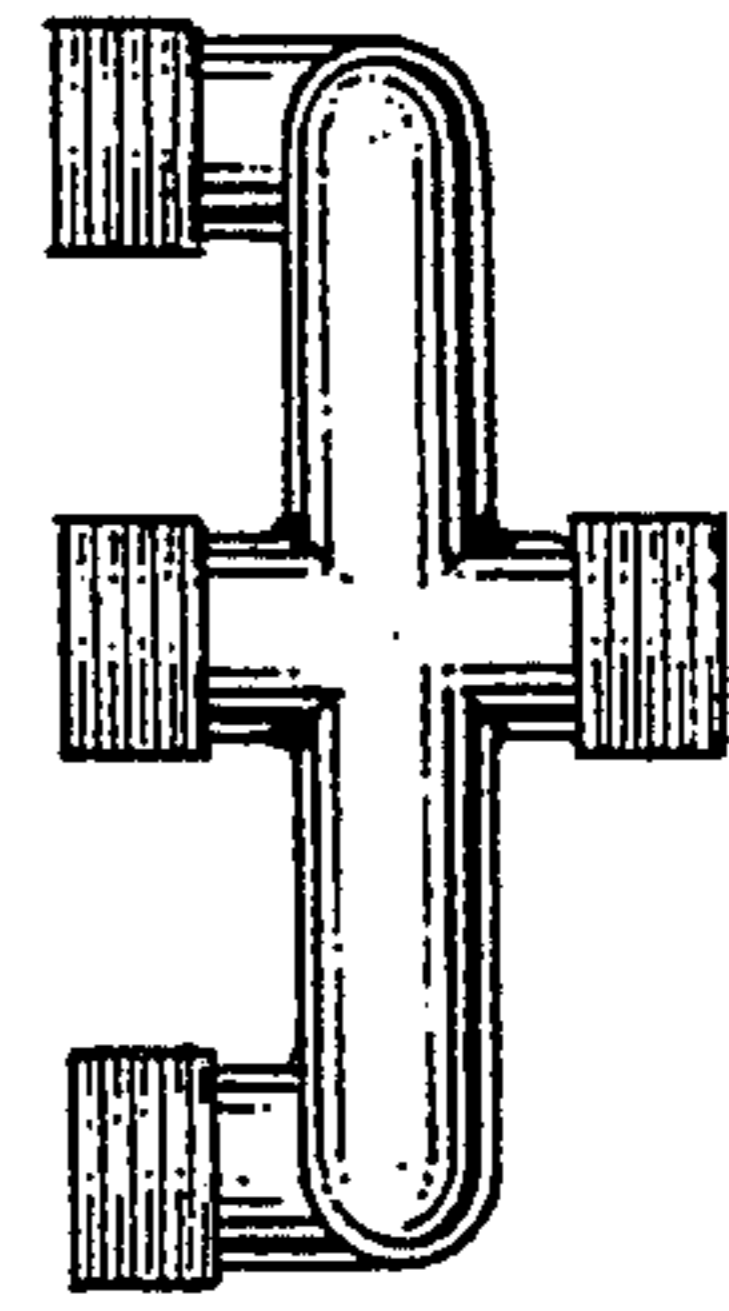


FIG-6

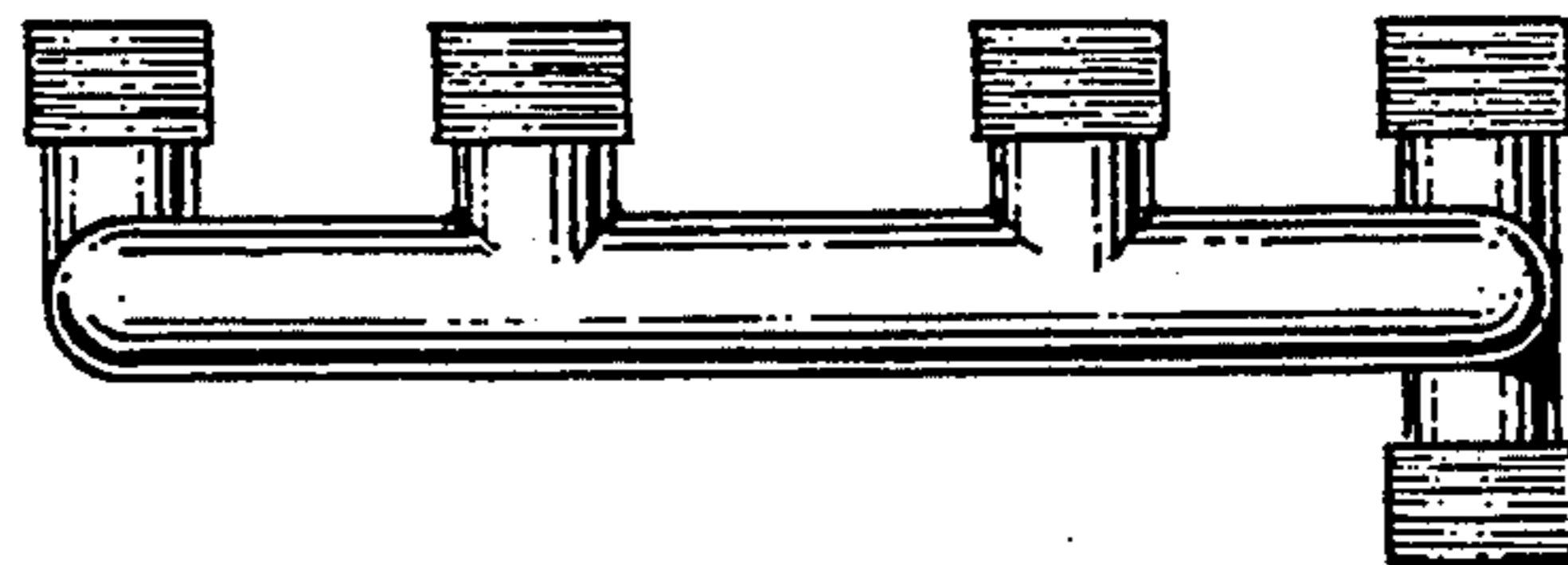


FIG-4

FIG-8

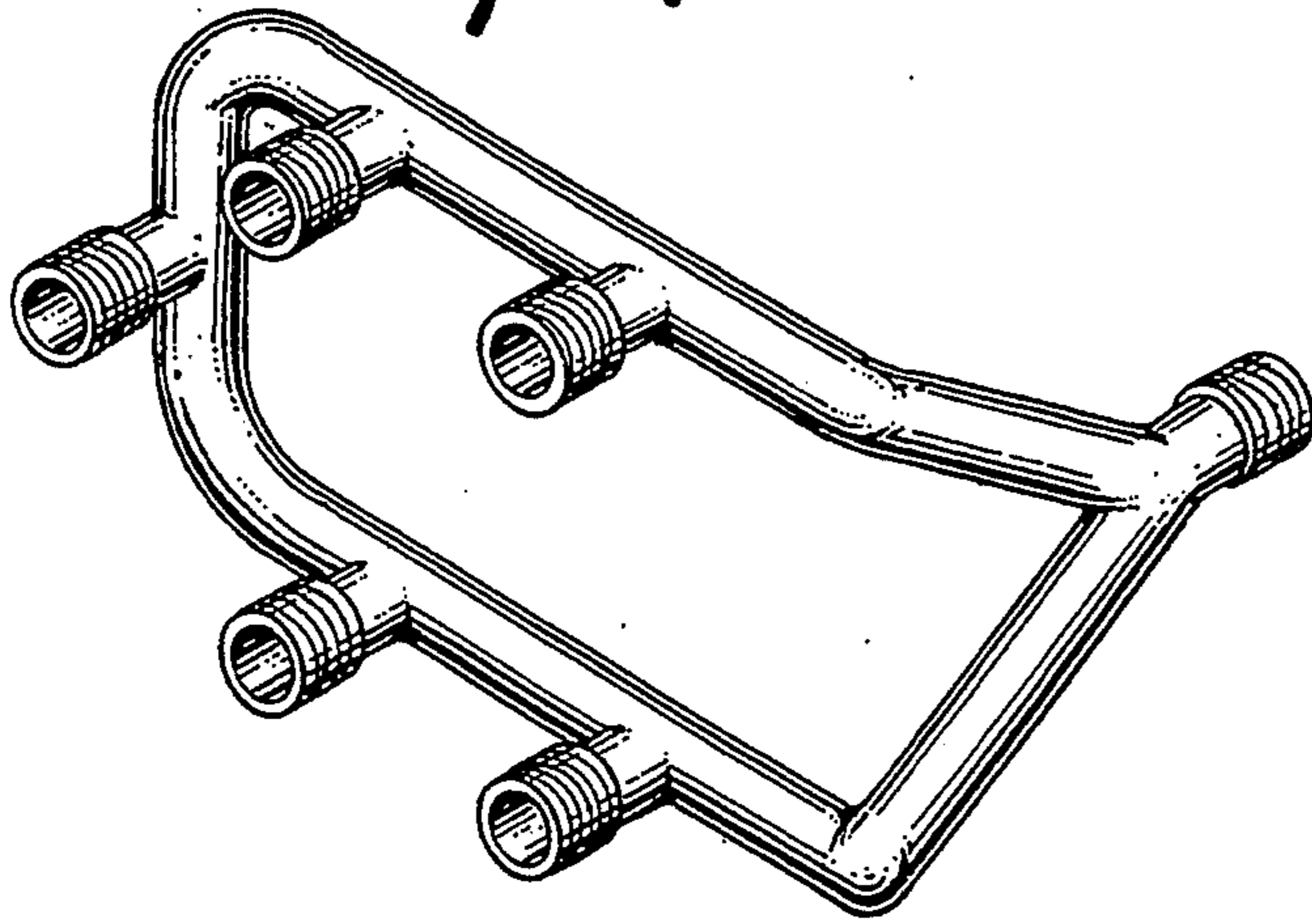


FIG-13

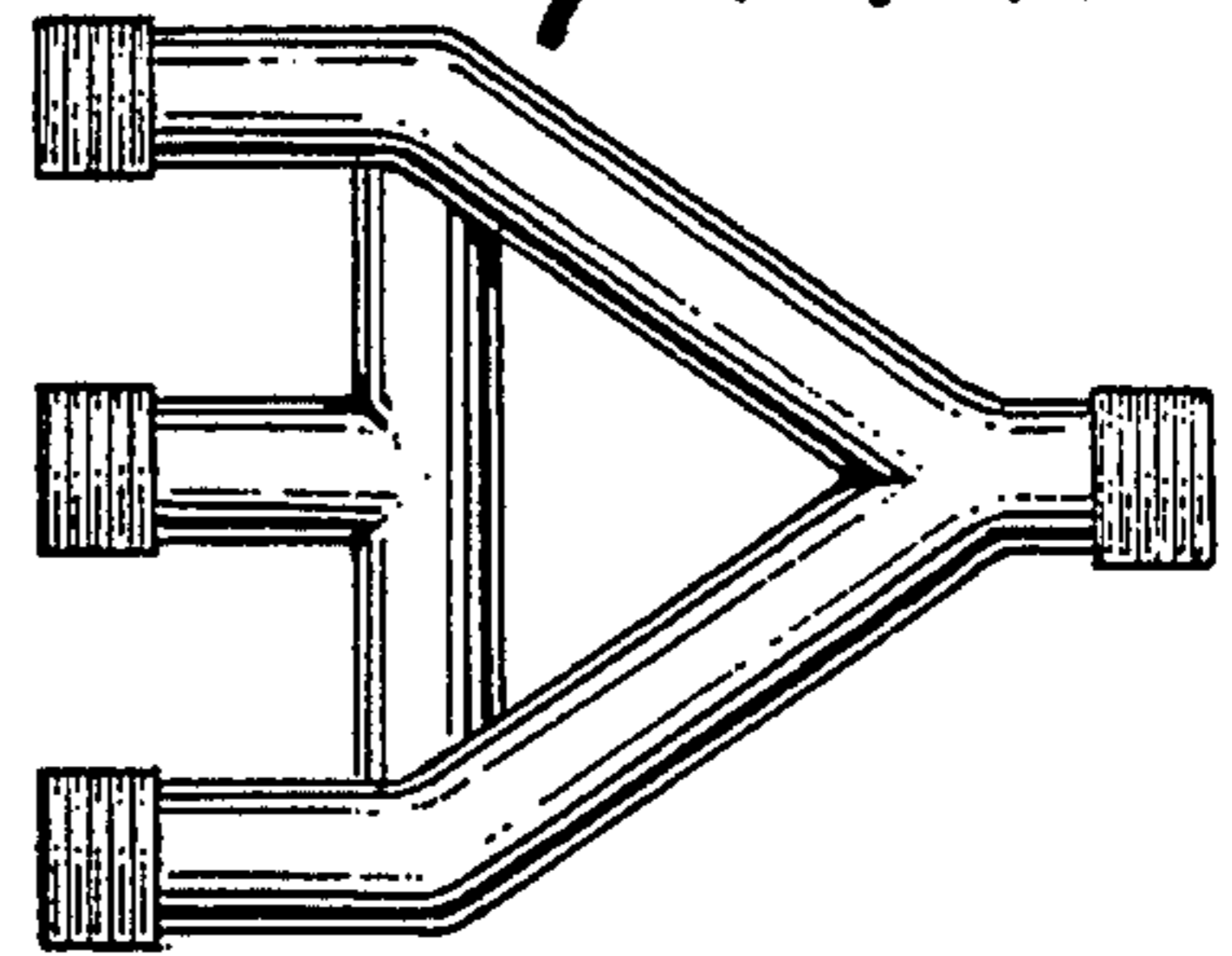


FIG-10

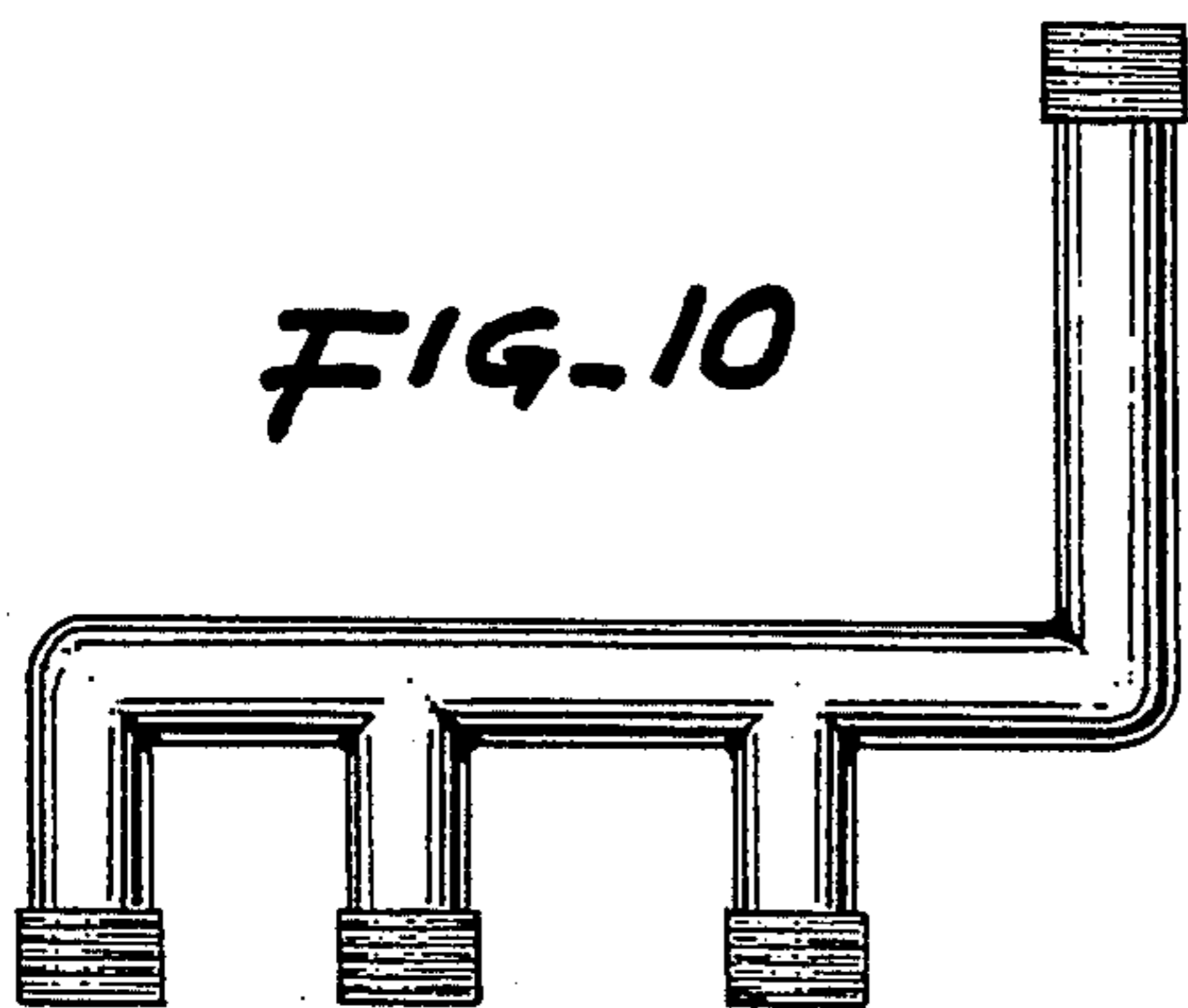


FIG-12

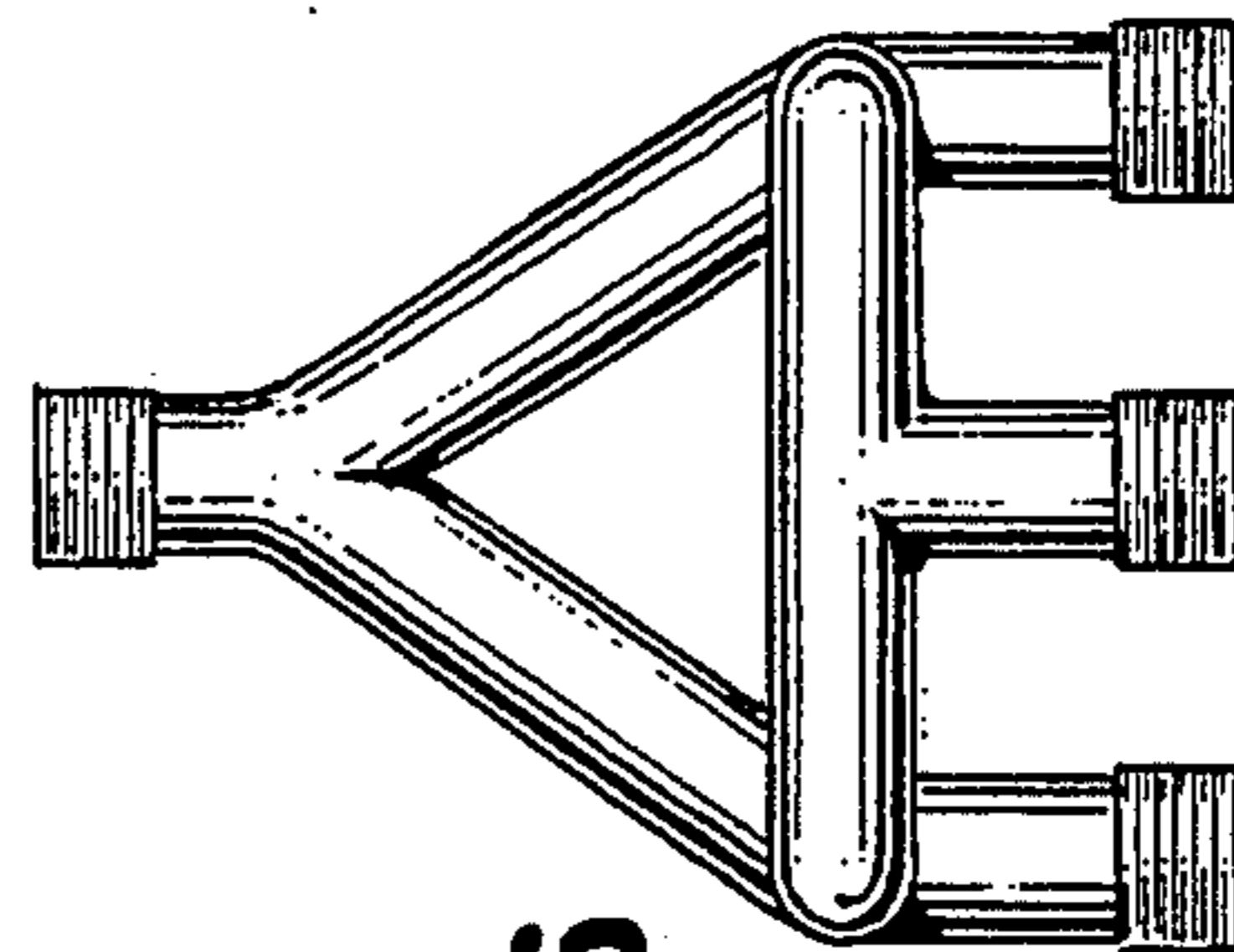


FIG-9

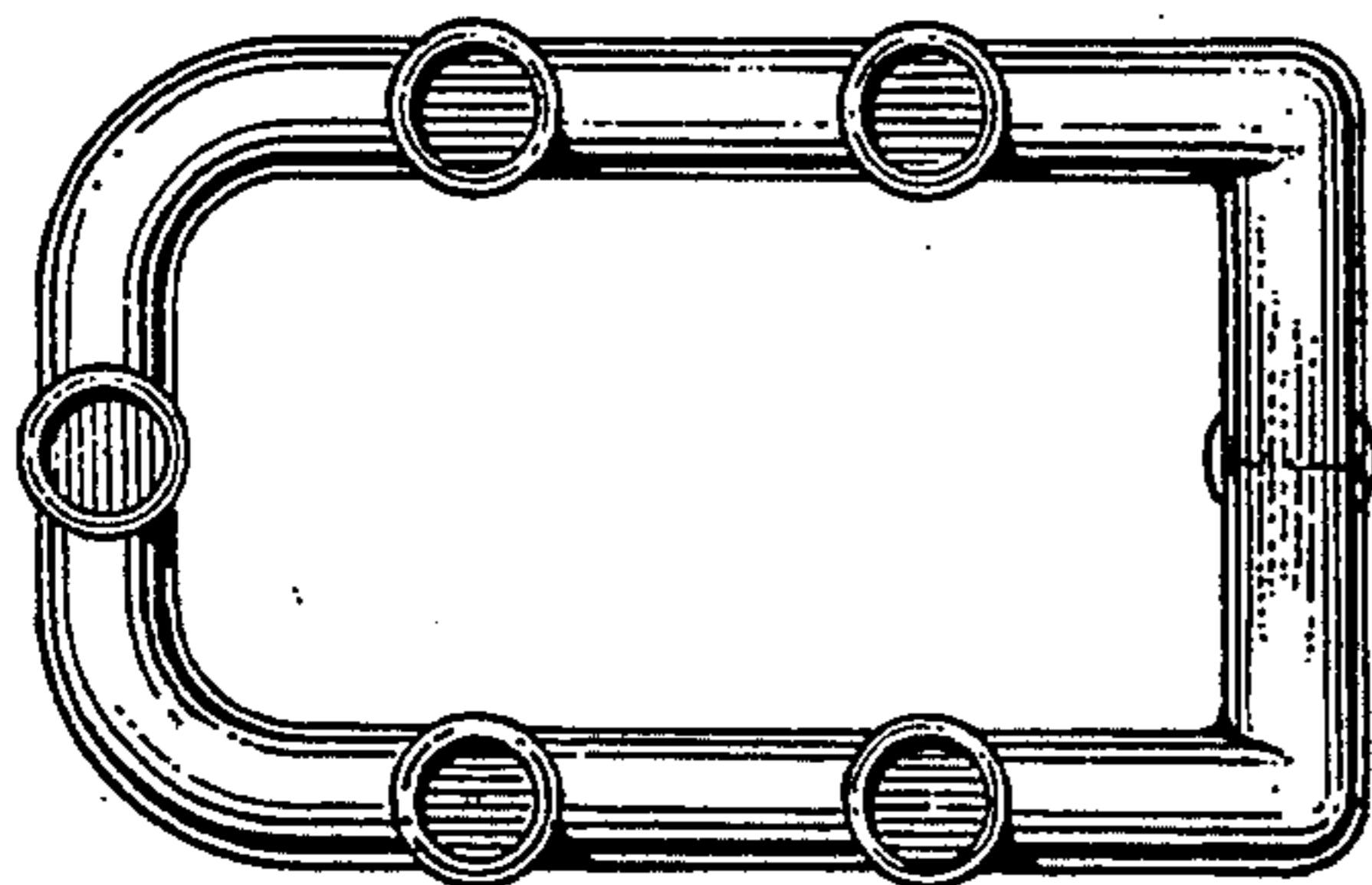


FIG-14

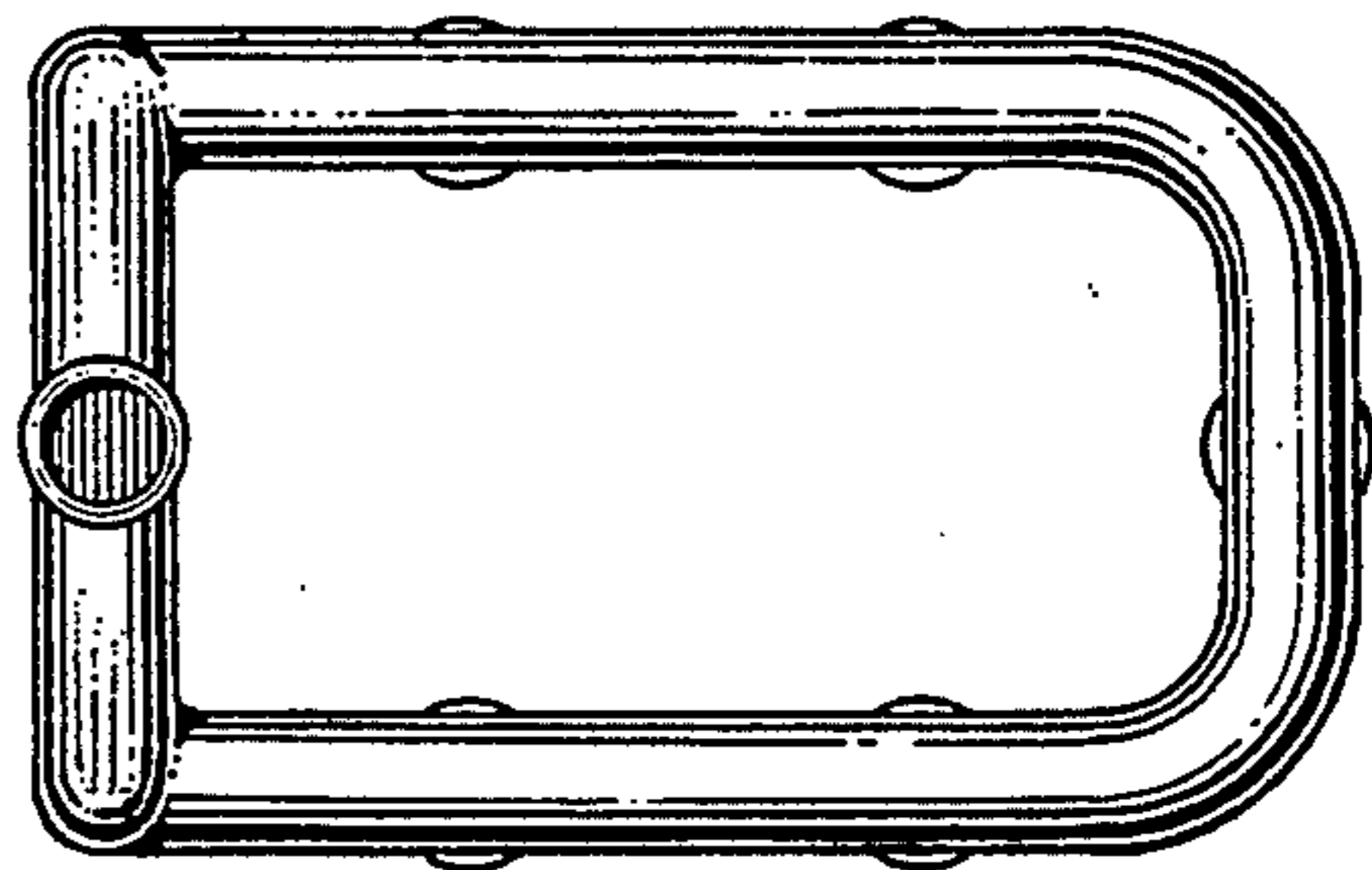
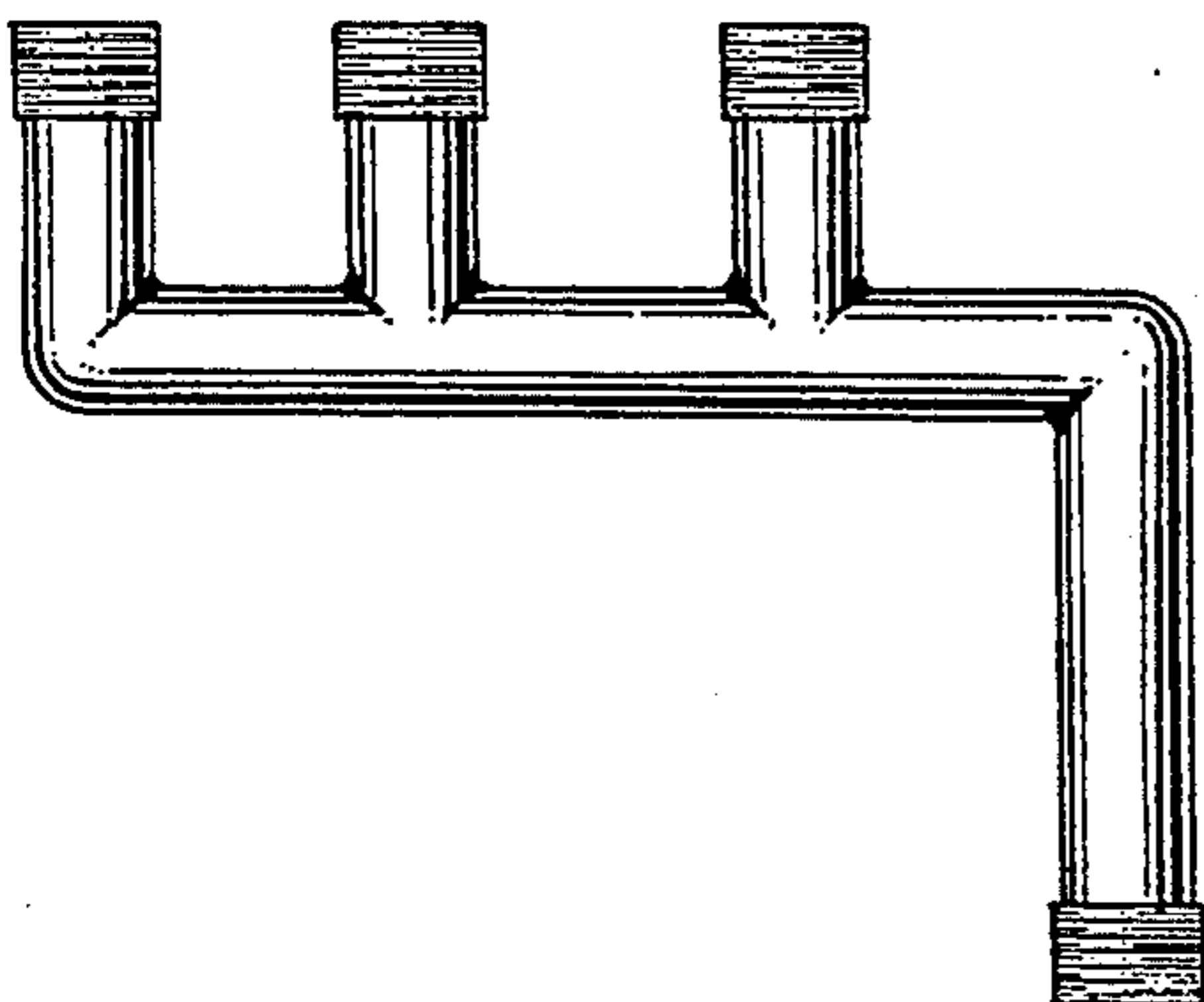


FIG-11



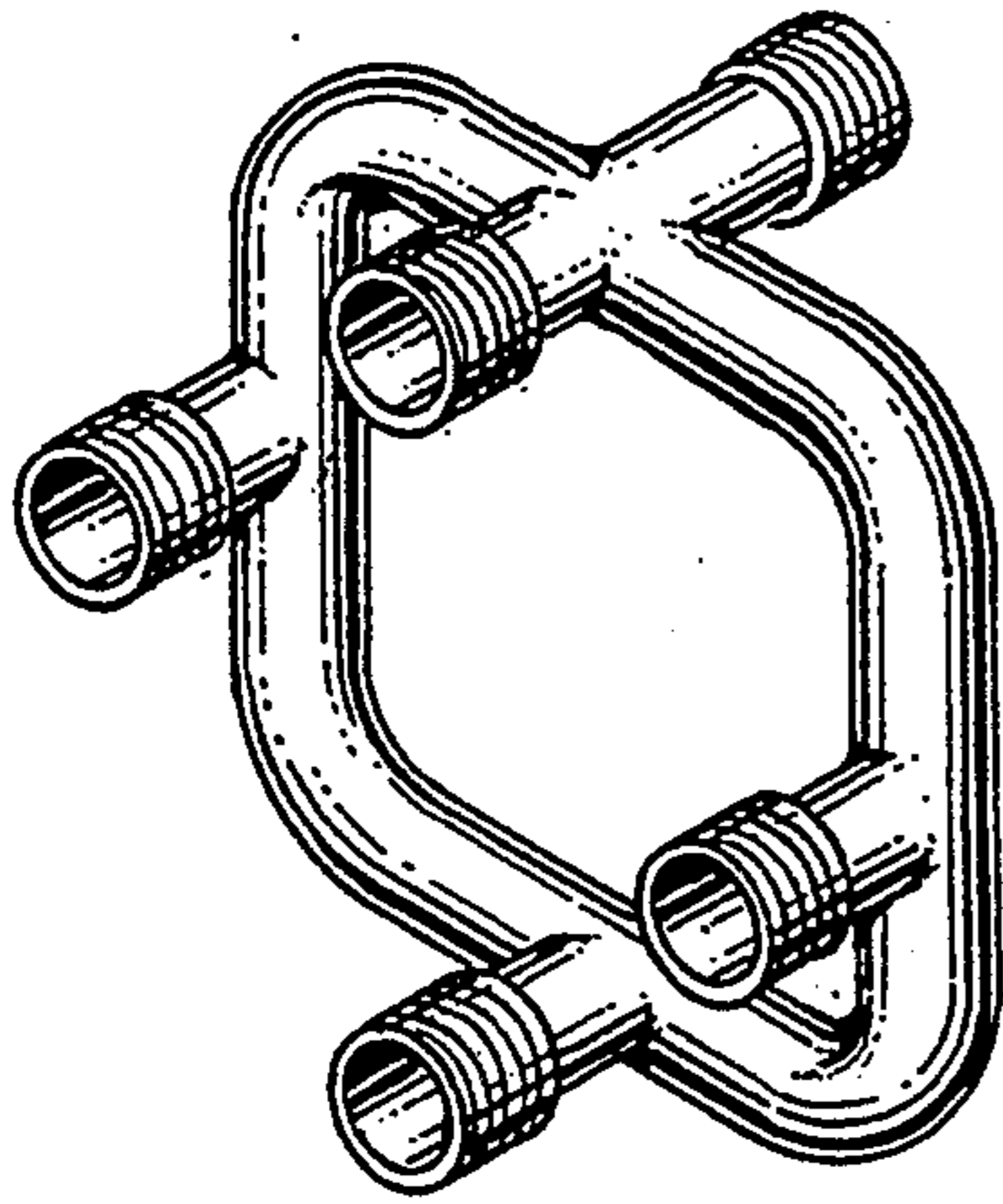


FIG. 15

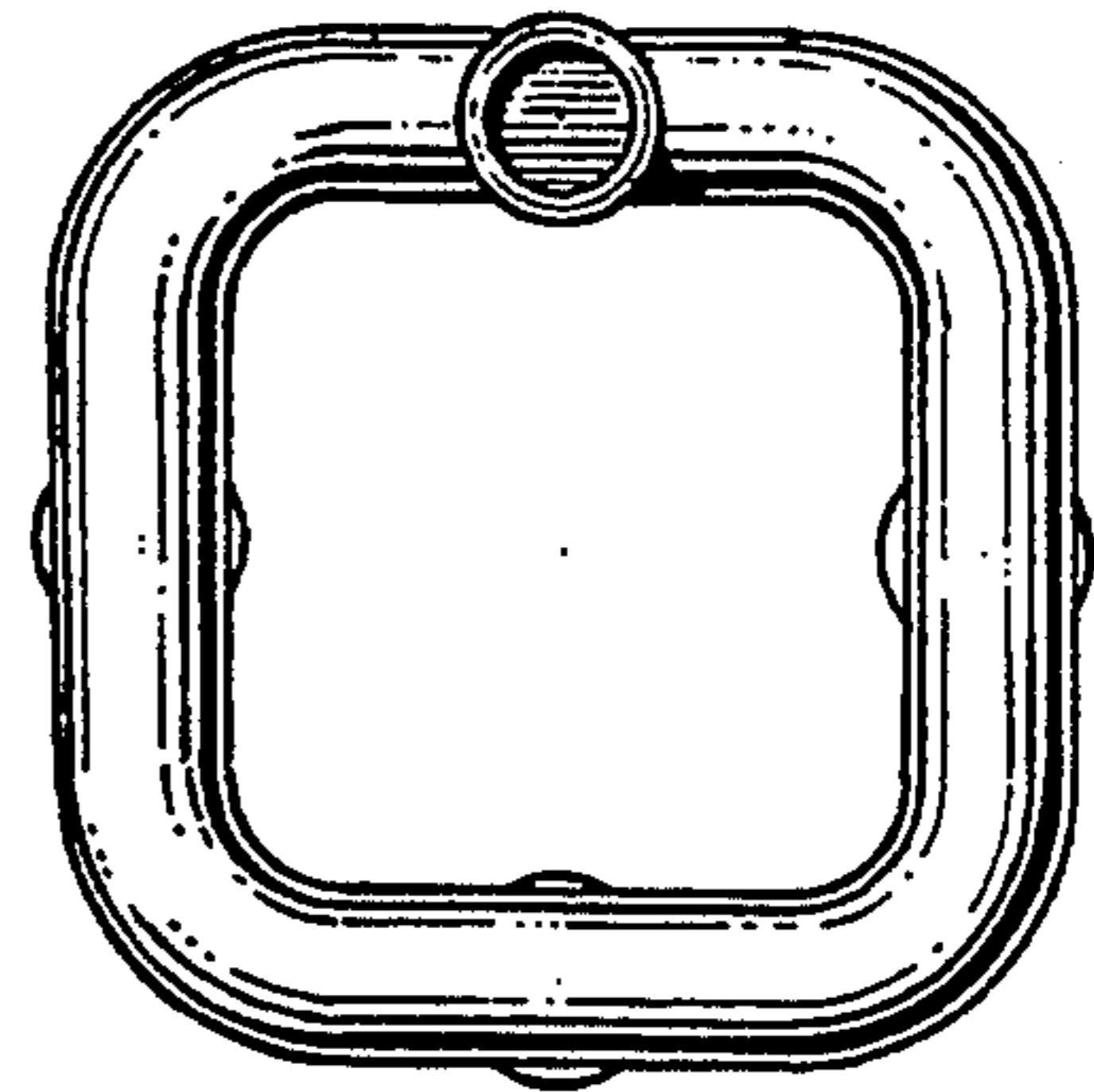


FIG. 21

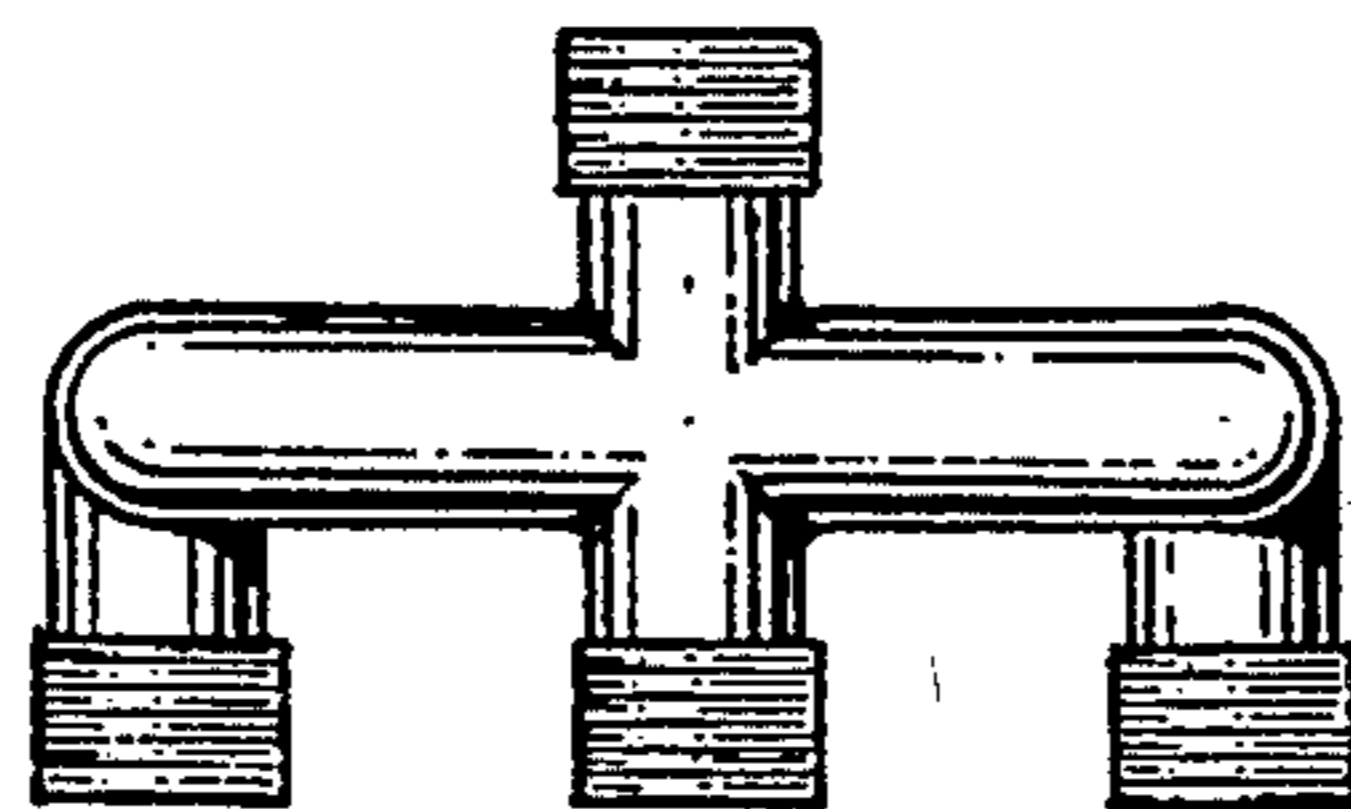


FIG. 17

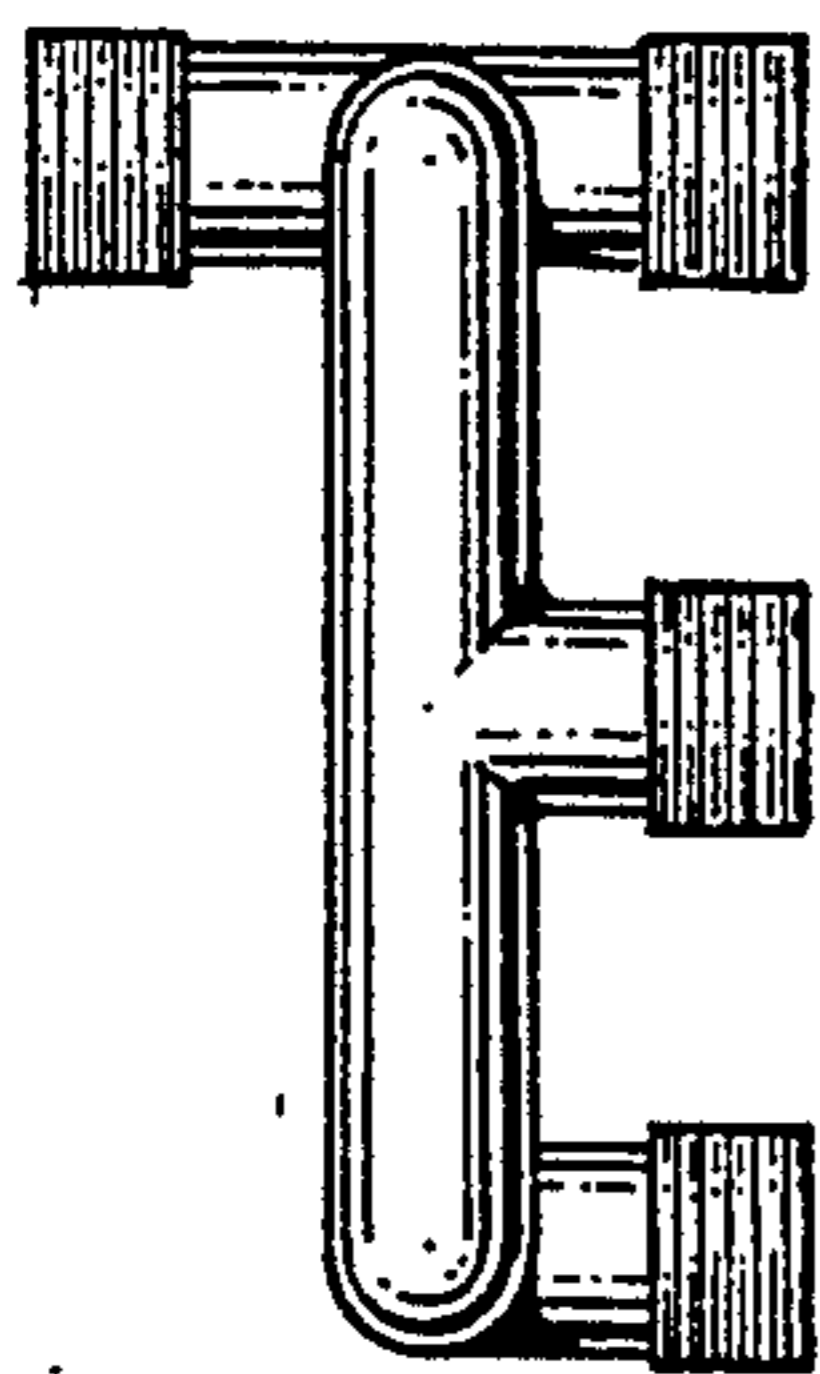


FIG. 19

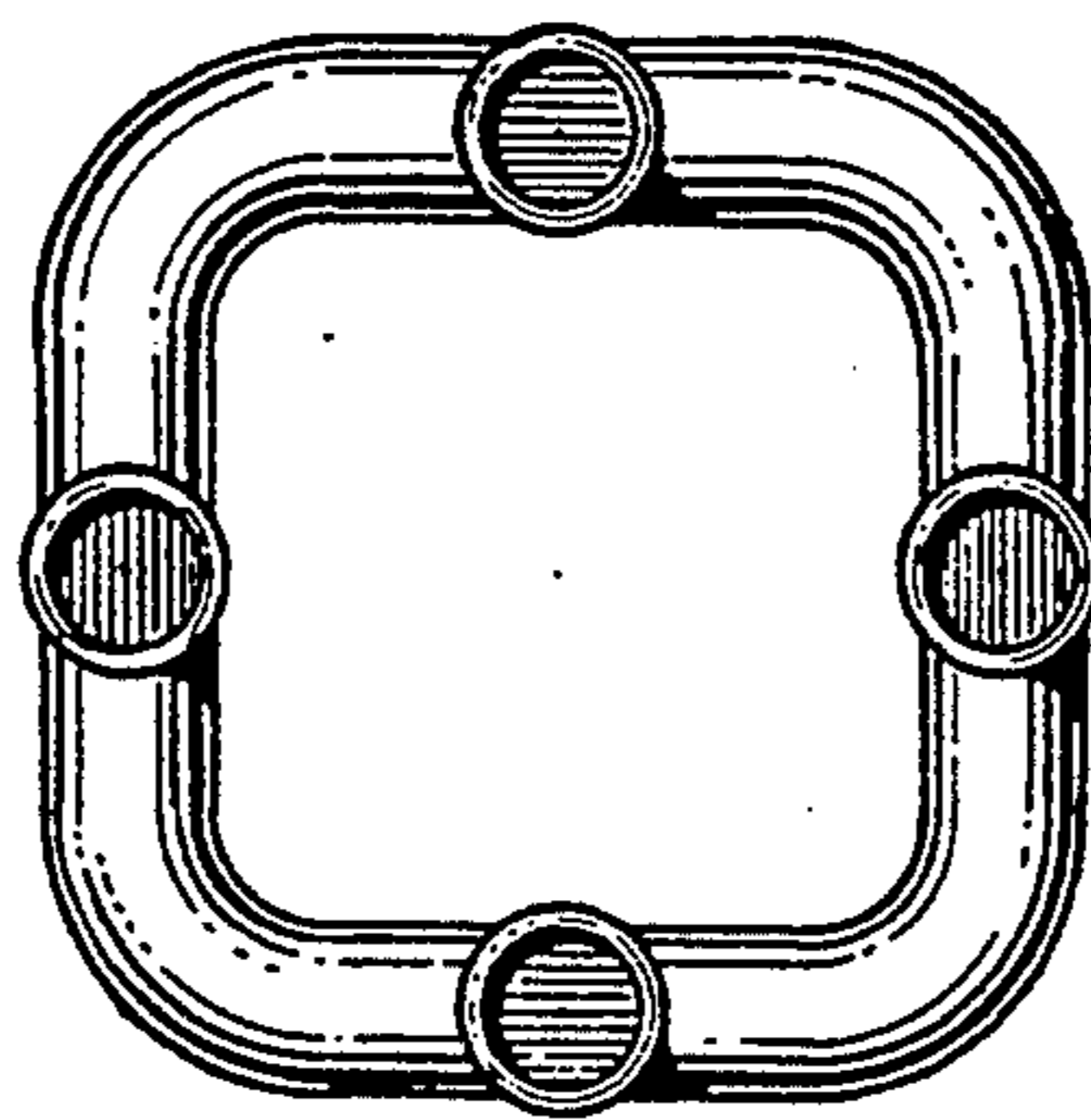


FIG. 16

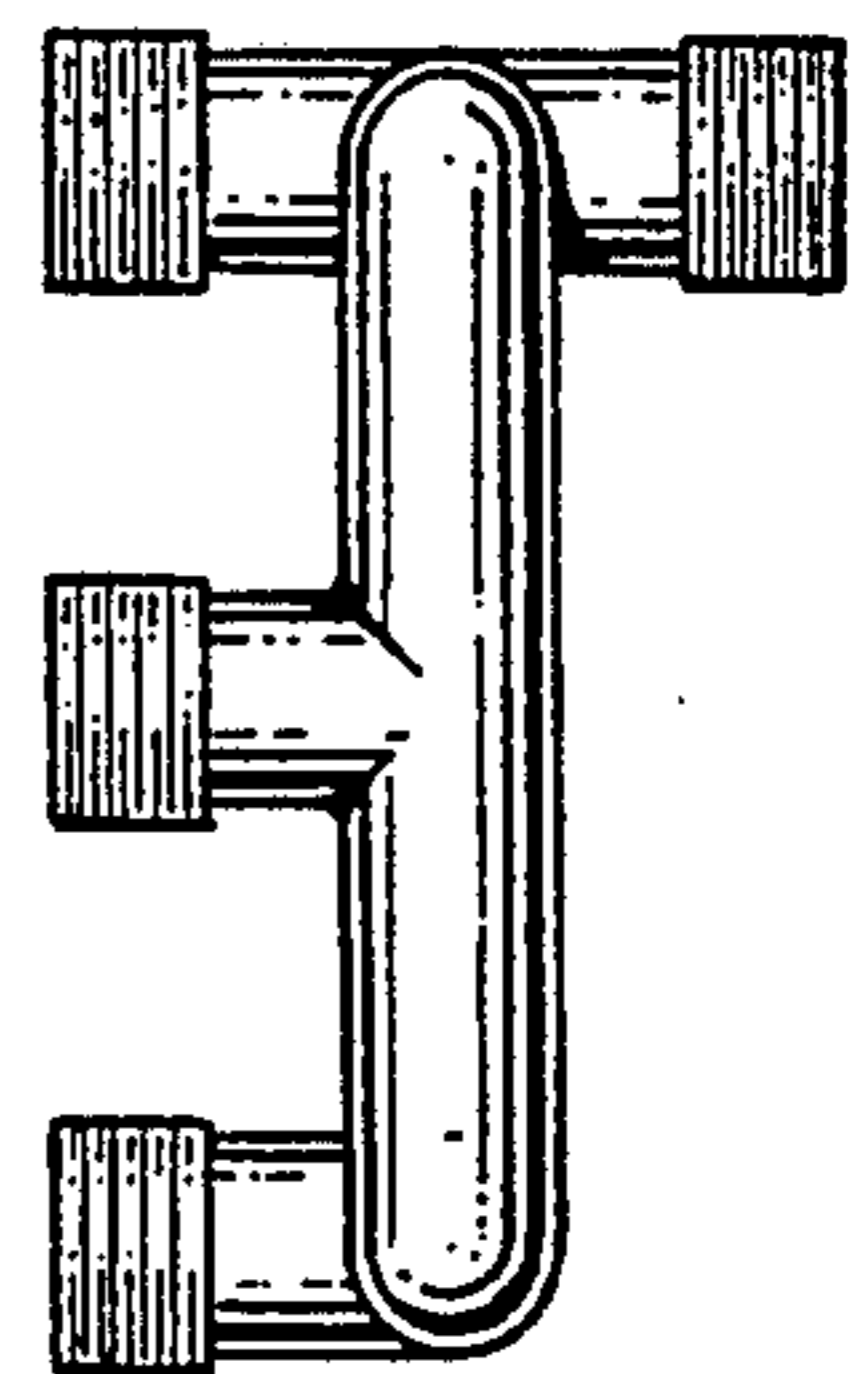


FIG. 20

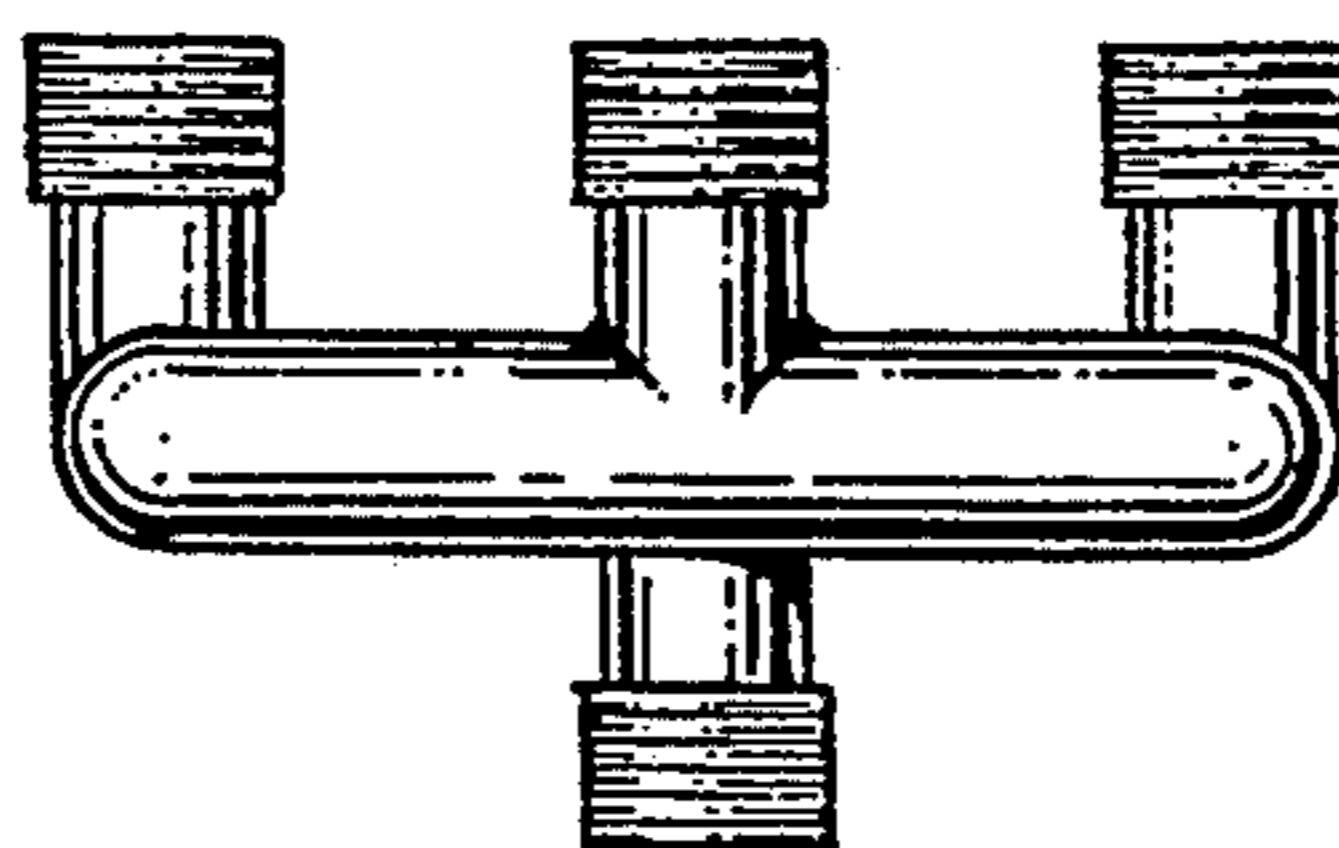


FIG. 18

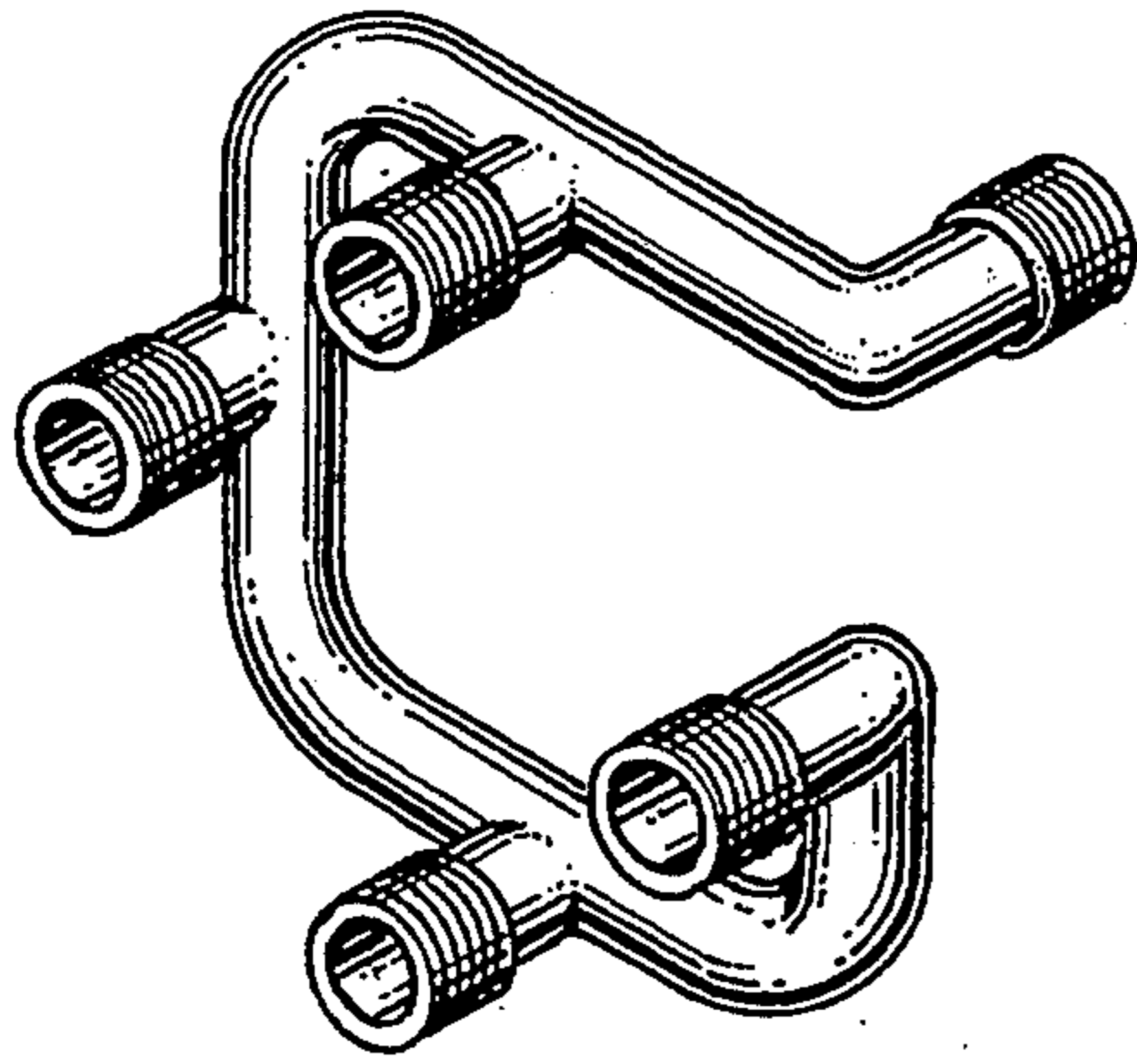


FIG. 22

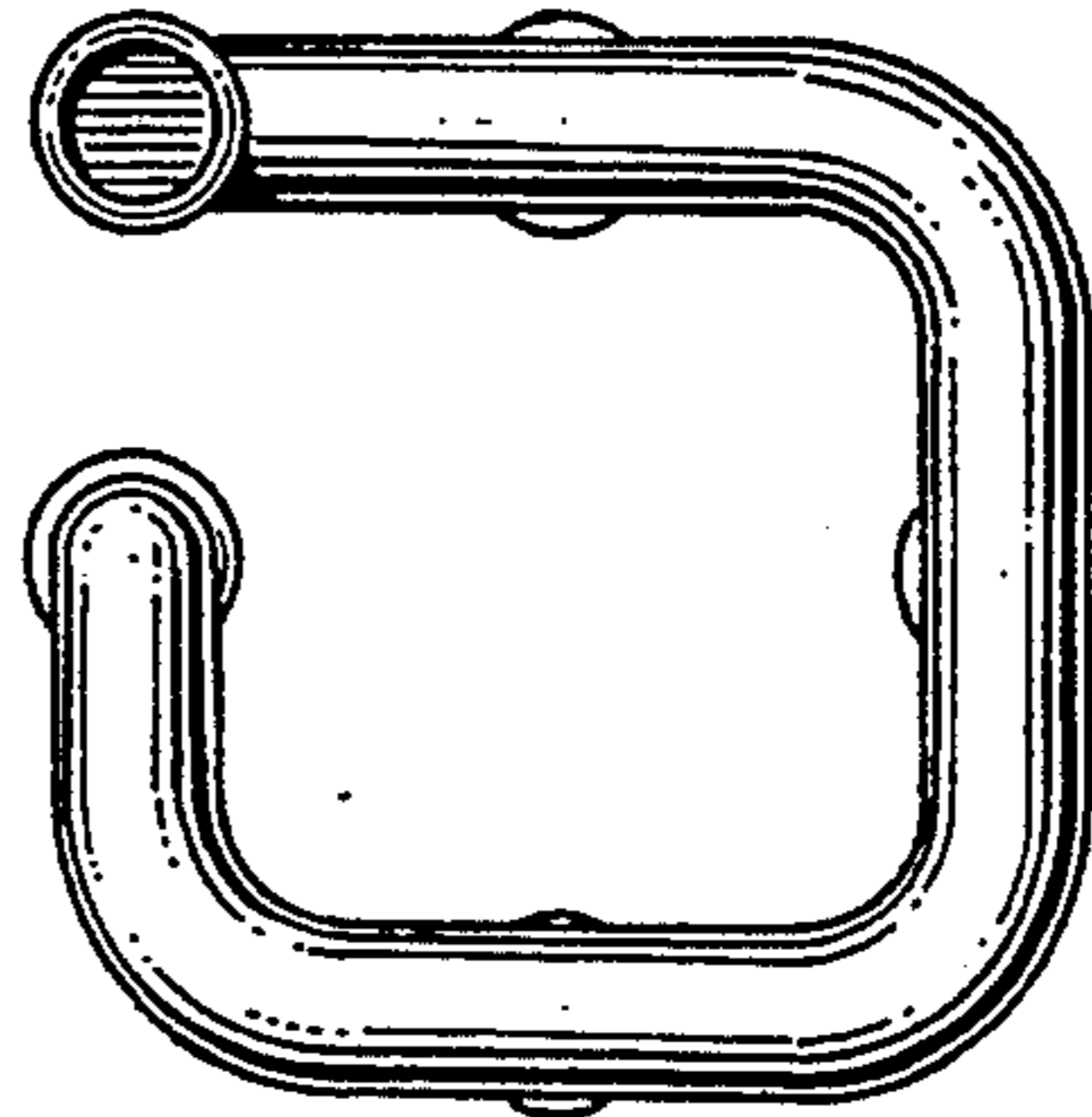


FIG. 28

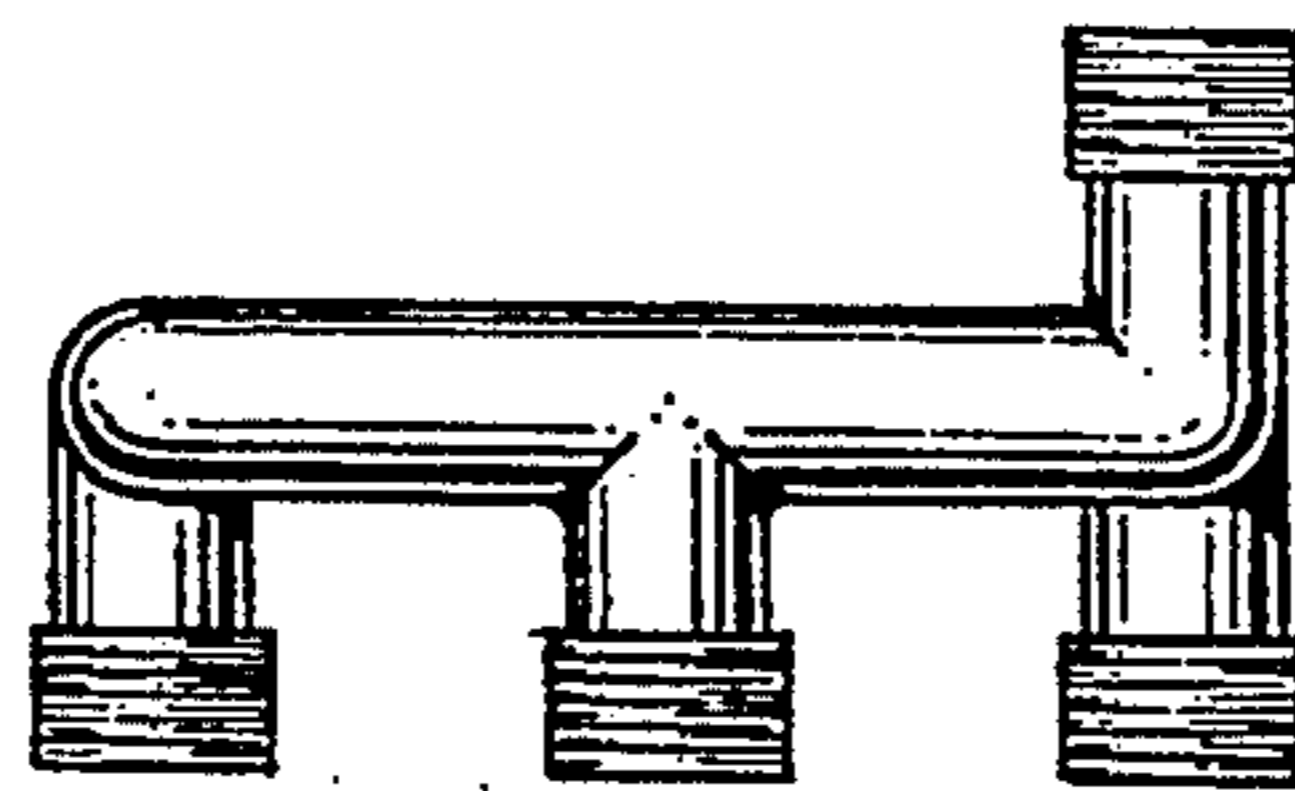


FIG. 24

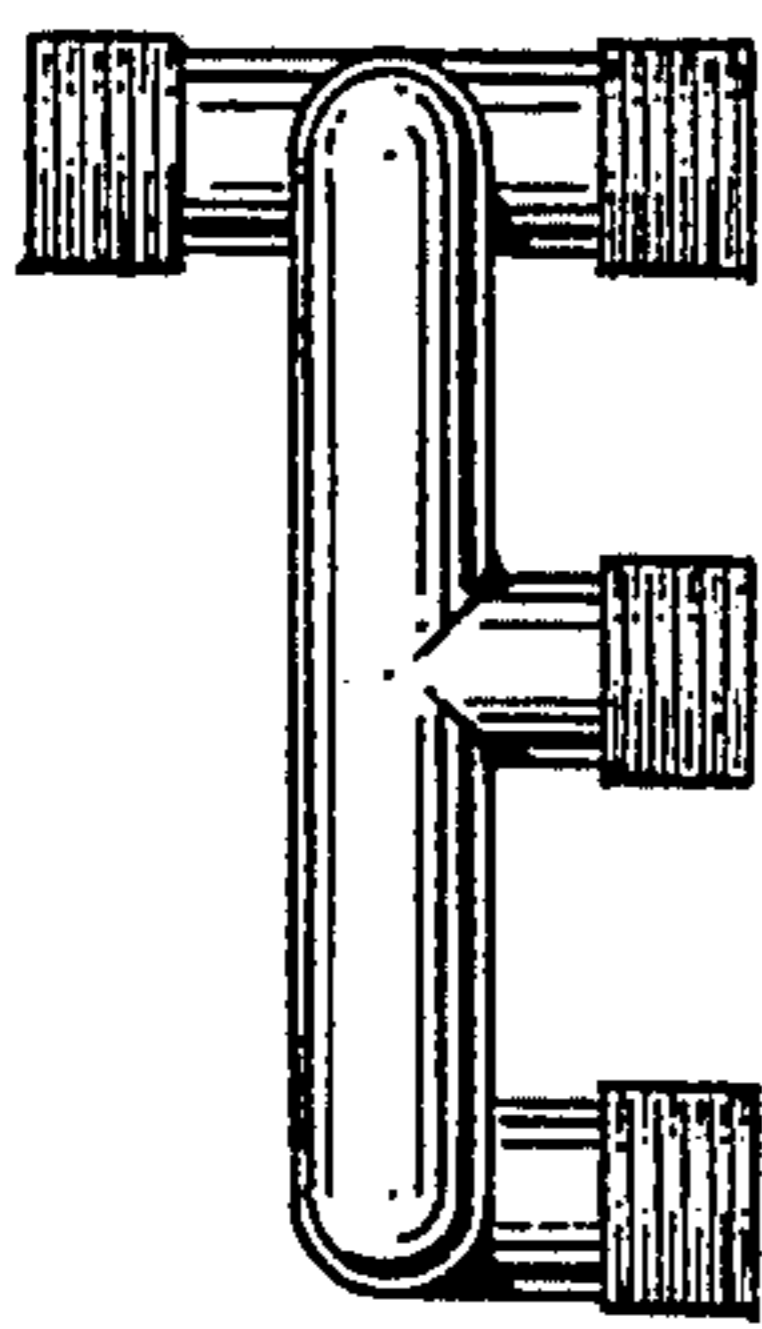


FIG. 26

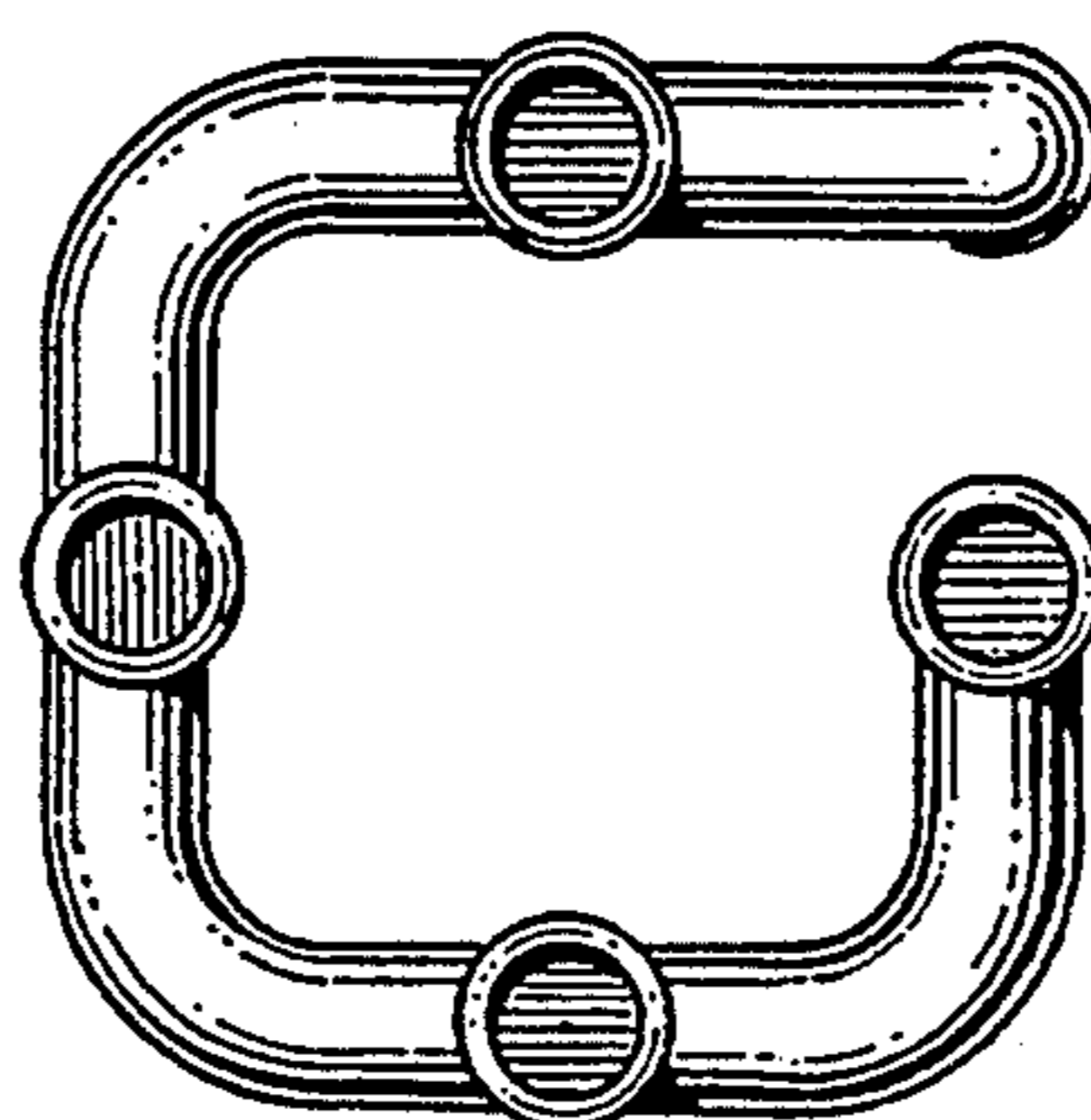


FIG. 23

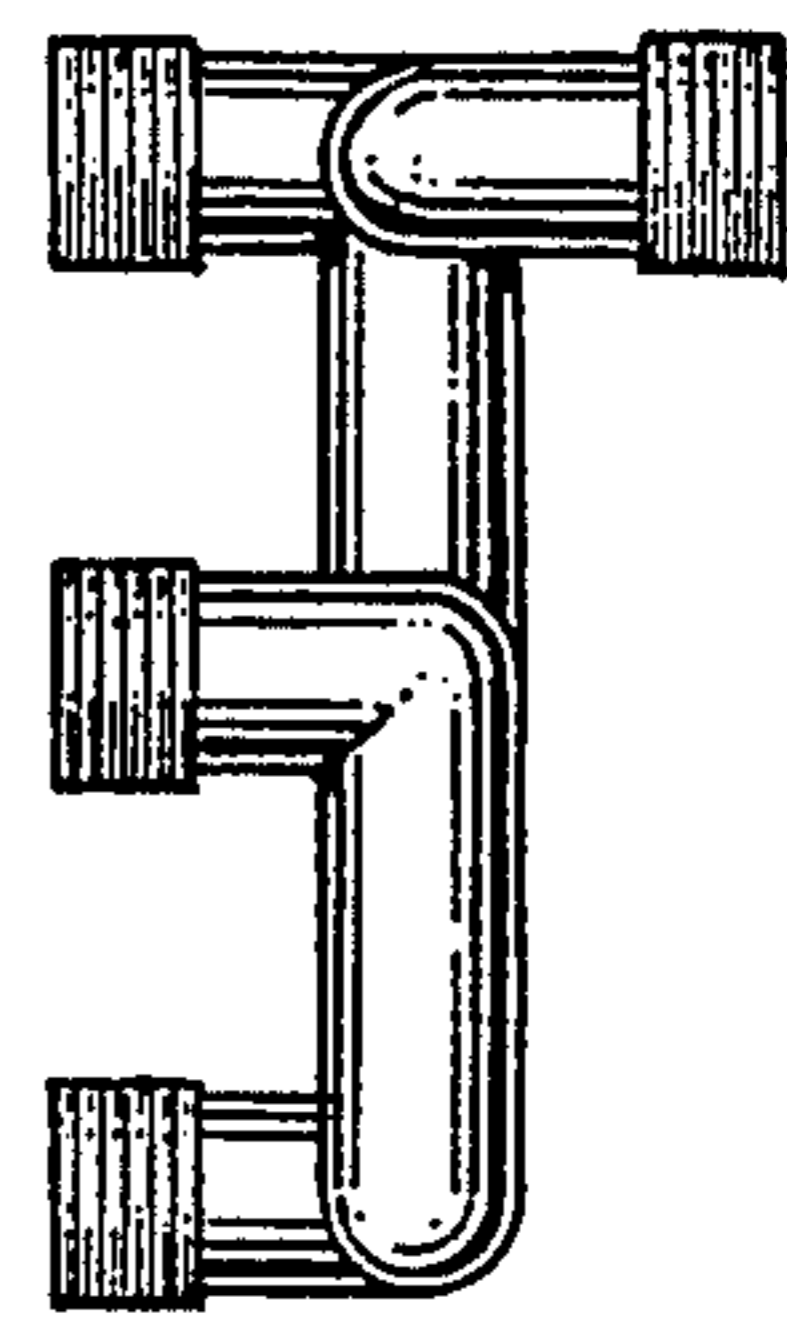


FIG. 27

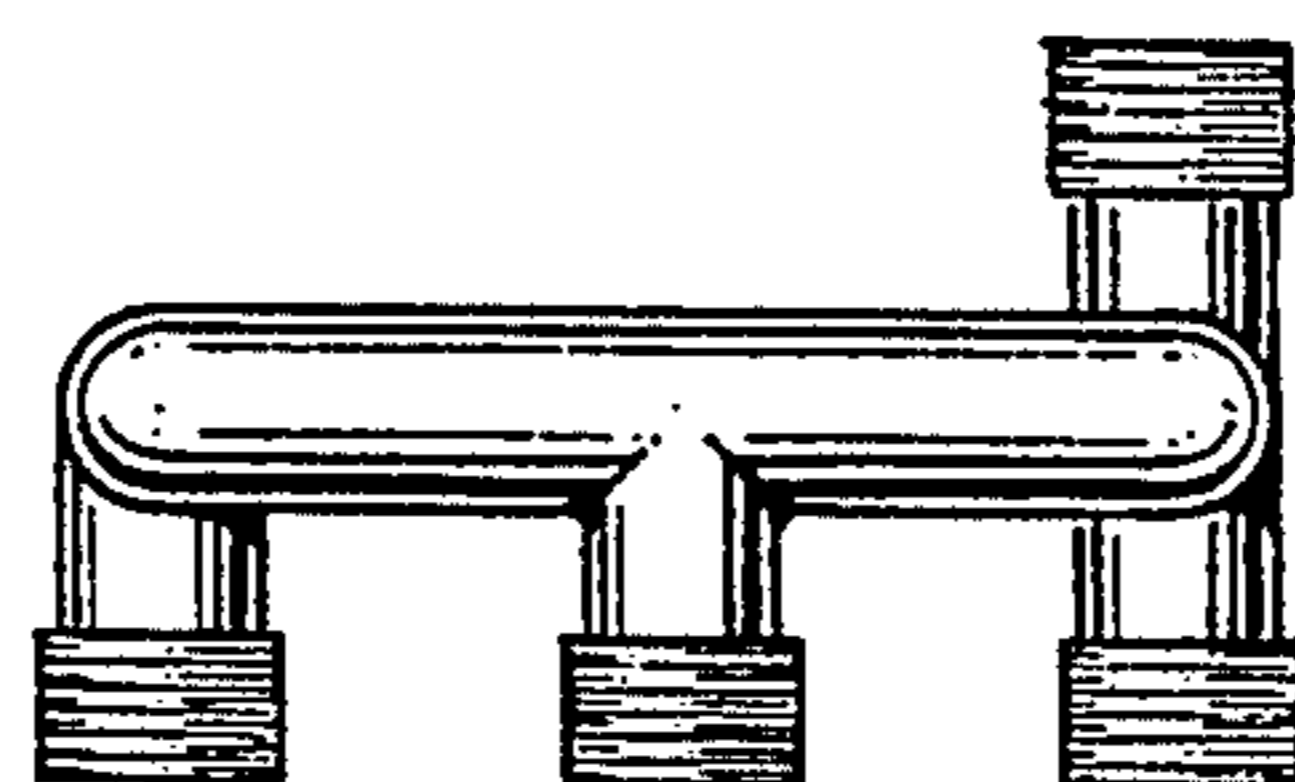


FIG. 25

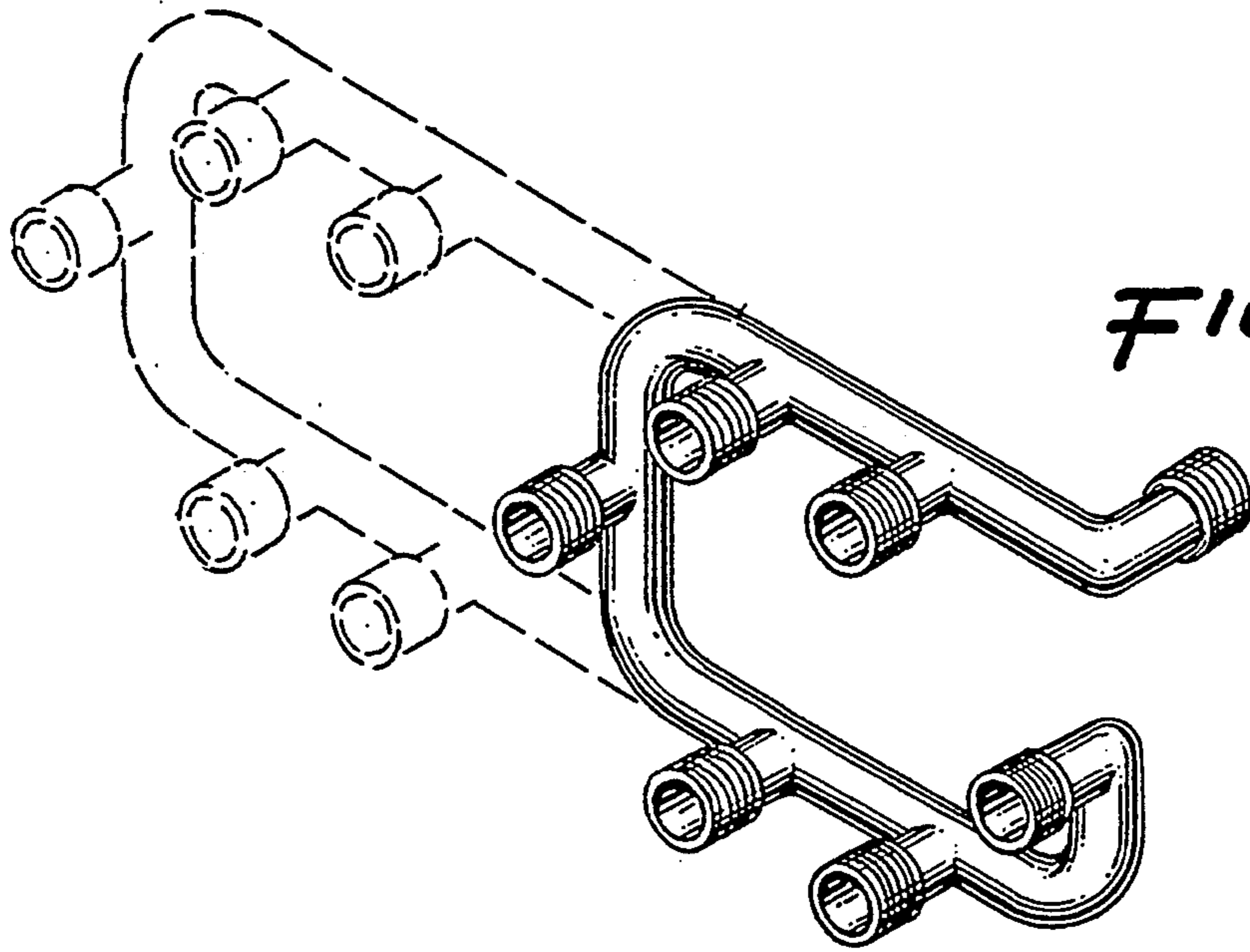


FIG-29

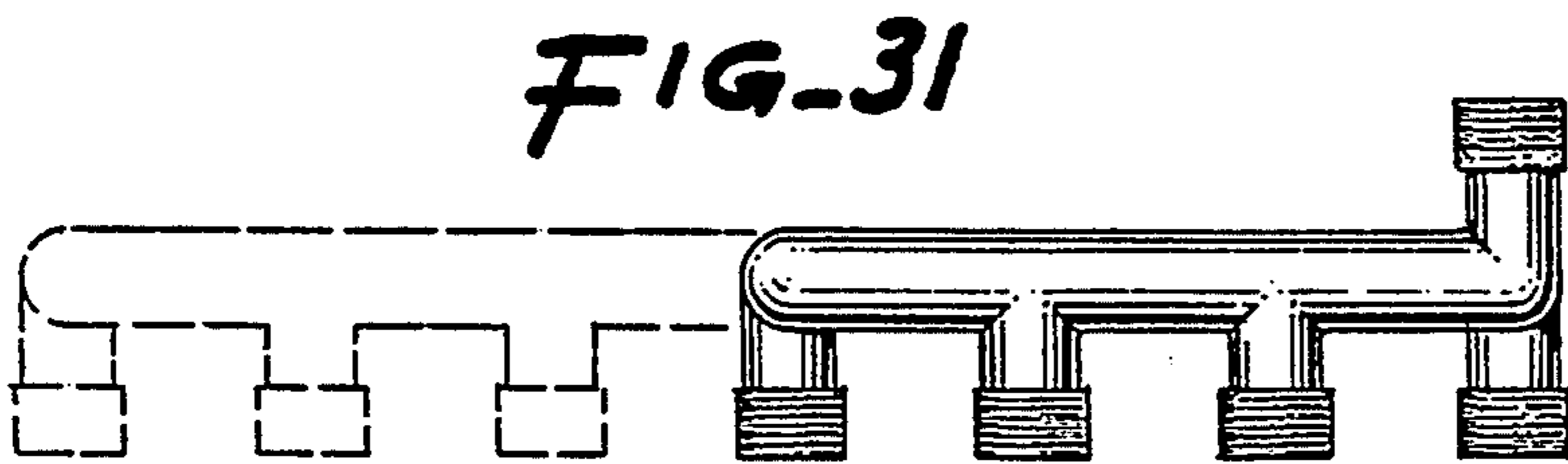


FIG-31

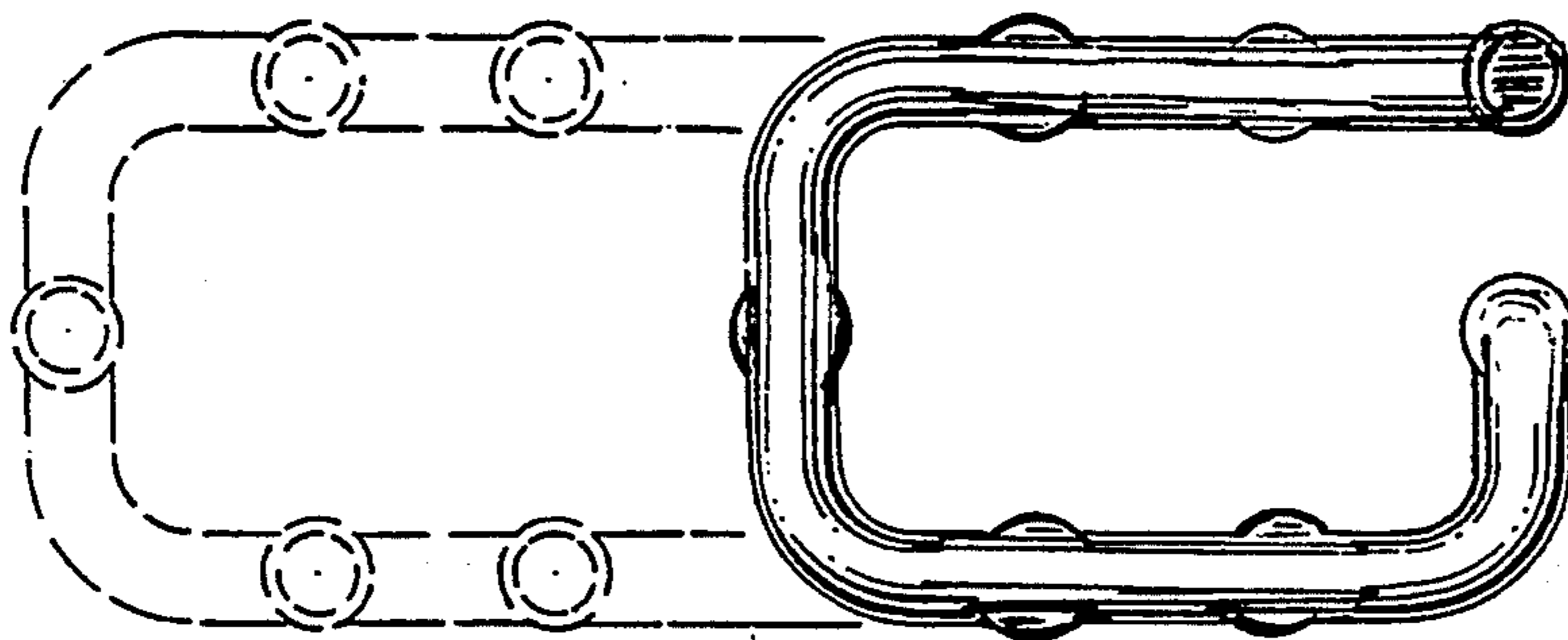


FIG-30

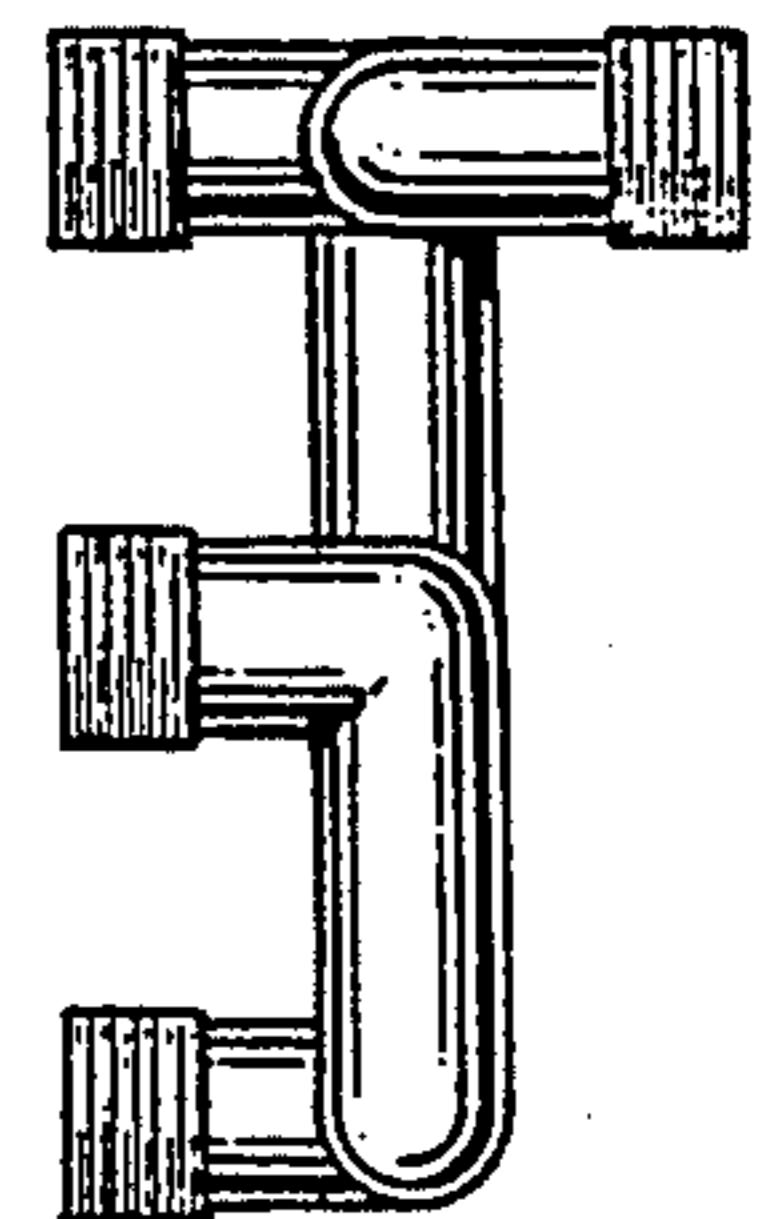


FIG-32