



US00D354792S

United States Patent [19] Gill

[11] Patent Number: **Des. 354,792**

[45] Date of Patent: **** Jan. 24, 1995**

[54] FENCE POST ANCHOR

[76] Inventor: **Frank Gill, Bloomington, Calif.**

[**] Term: **14 Years**

[21] Appl. No.: **9,315**

[22] Filed: **Jun. 10, 1993**

[52] U.S. Cl. **D25/126**

[58] Field of Search **D25/38-45,
D25/126-131; 248/228, 229, 156; 256/DIG. 5,
22, 34, 47, 65**

4,722,514 2/1988 Pettit .
4,830,341 5/1989 Arteav et al. 256/65
4,831,798 5/1989 Otteson D25/126

Primary Examiner—A. Hugo Word
Assistant Examiner—Doris Clark
Attorney, Agent, or Firm—Terry M. Gernstein

[57] CLAIM

The ornamental design for a fence post anchor, as shown and described.

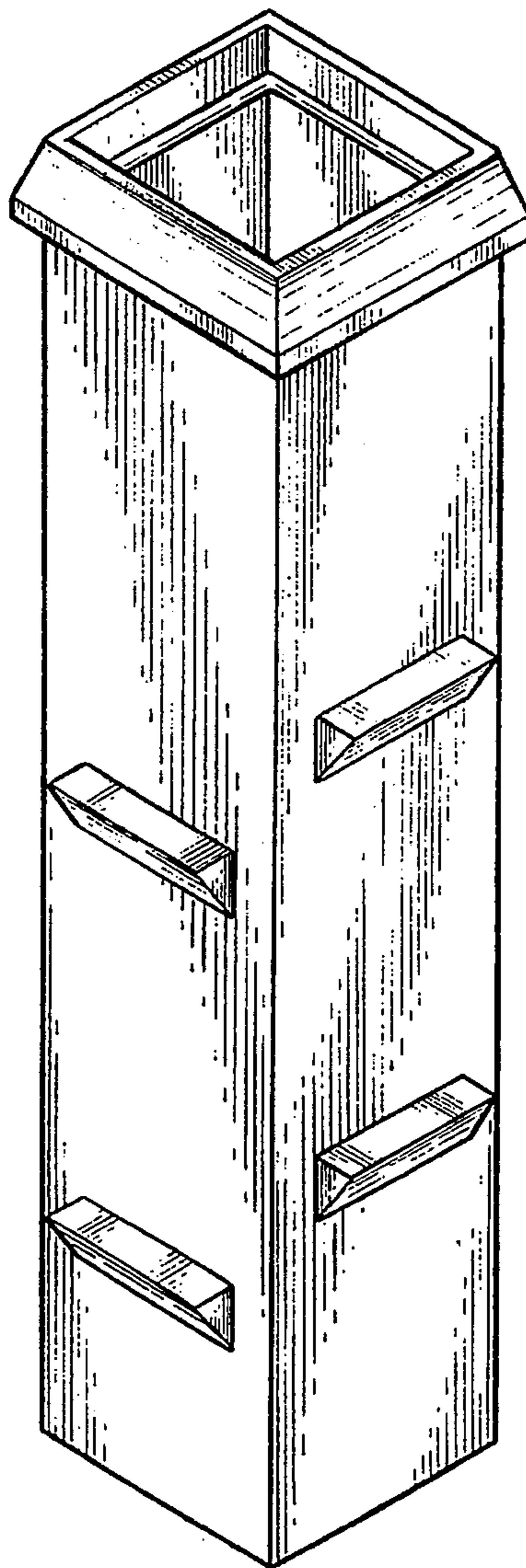
DESCRIPTION

FIG. 1 is a front, top and side perspective view of the fence post anchor showing my new design;
FIG. 2 is a front elevational view thereof, the rear being a mirror image of the front shown in FIG. 2;
FIG. 3 is a side elevational view thereof, the side opposite being a mirror image of the side shown in FIG. 3;
FIG. 4 is a top plan view thereof; and,
FIG. 5 is a bottom plan view thereof.

[56] References Cited

U.S. PATENT DOCUMENTS

D. 314,328 2/1991 Cobb D25/44
3,491,985 1/1970 Grimsley 256/47
3,920,221 11/1975 Berry et al. 256/65
4,357,001 11/1982 Schmanski et al. .
4,553,741 11/1985 Creasy et al. .



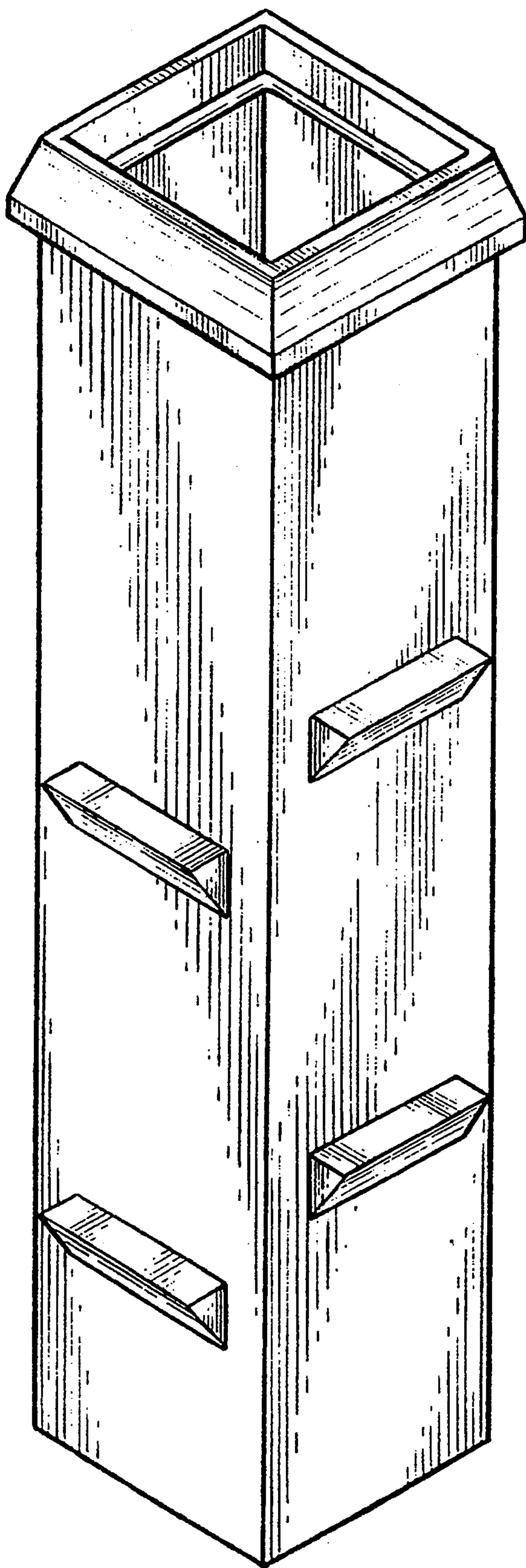


FIG. 1

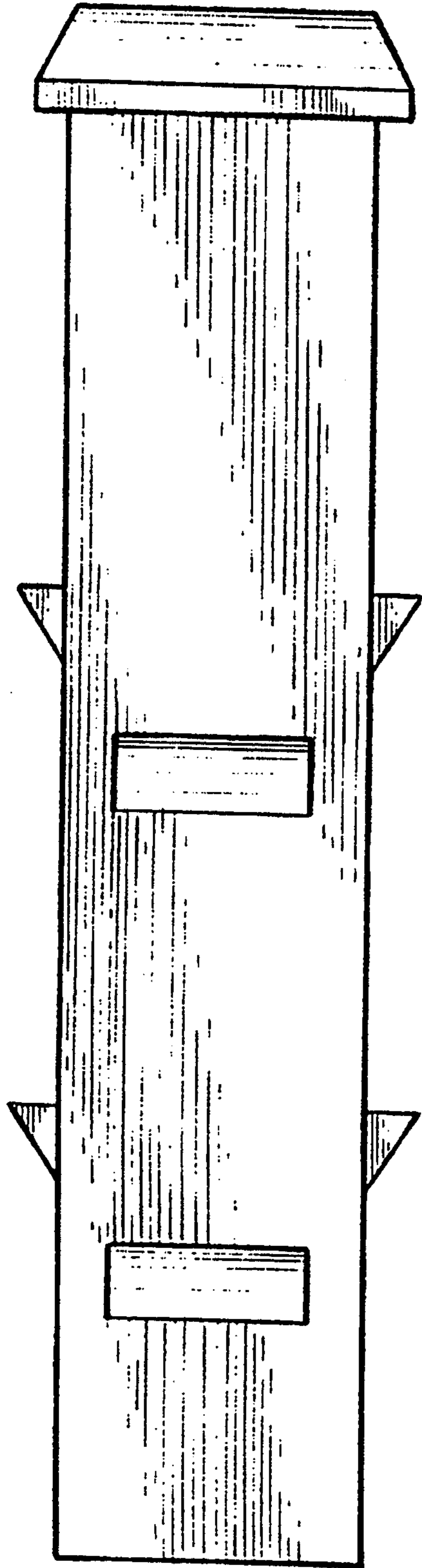


FIG. 2

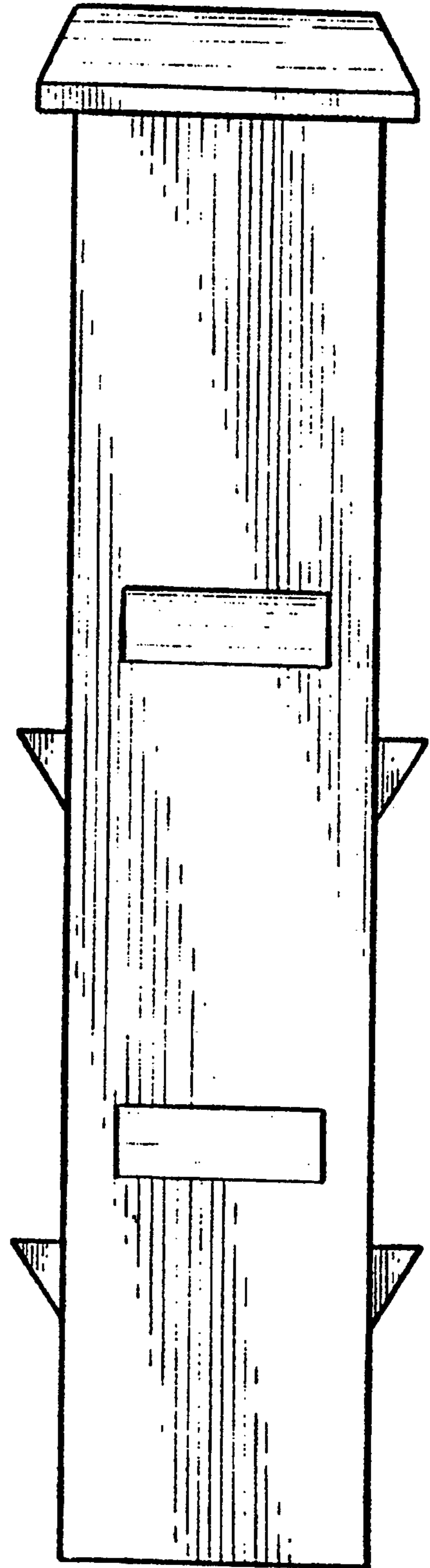


FIG. 3

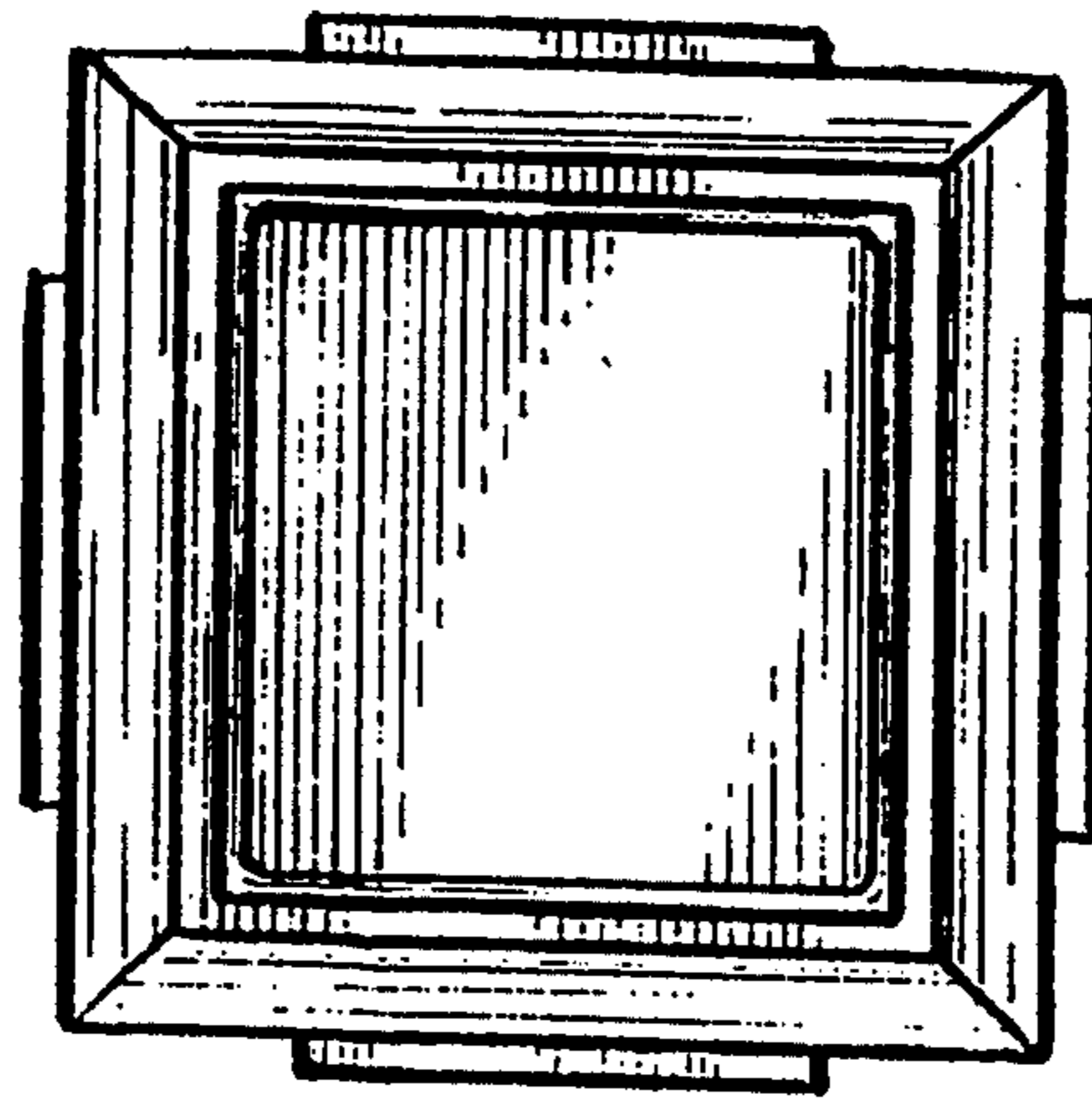


FIG. 4

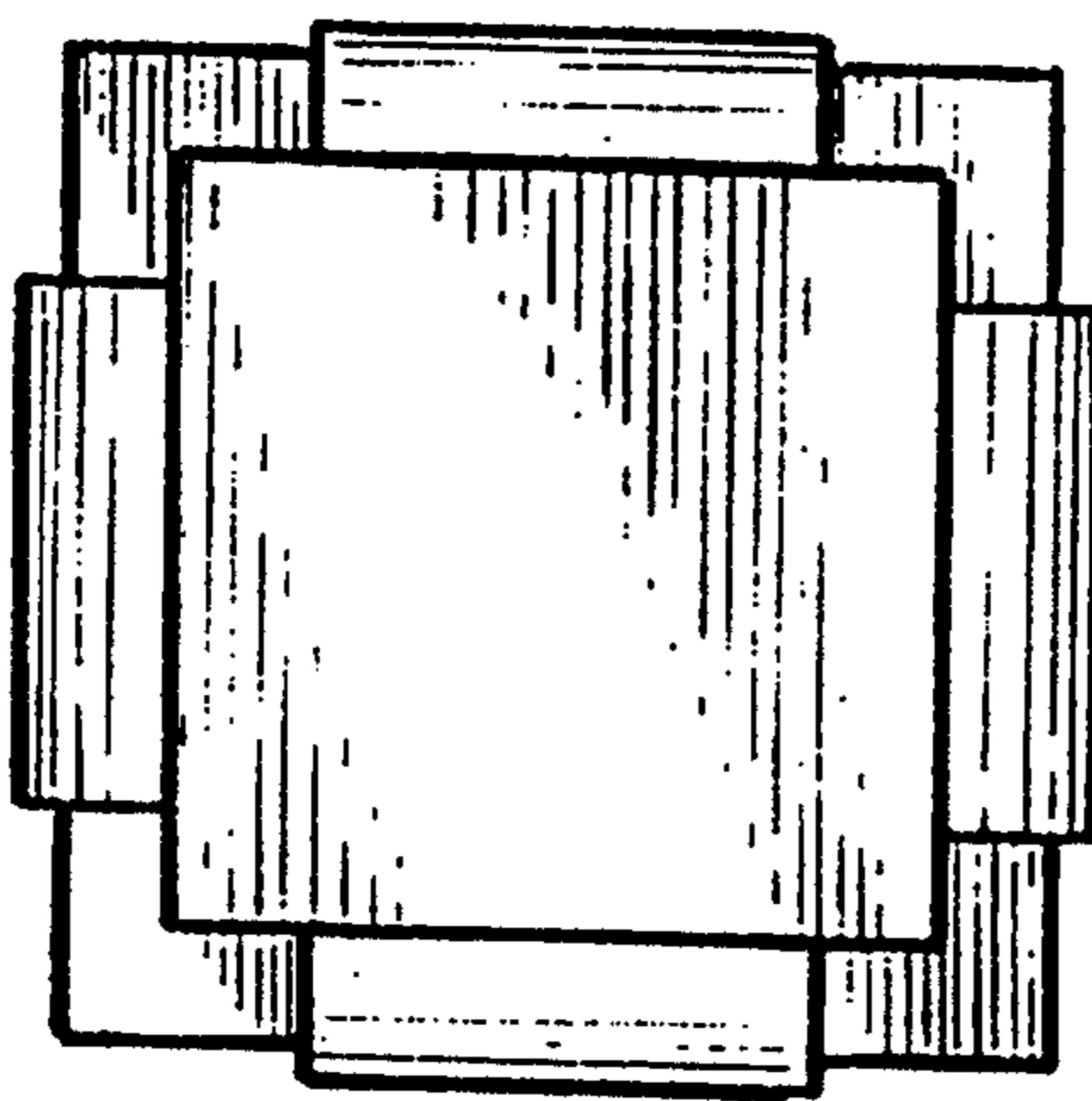


FIG. 5