



US00D354791S

**United States Patent** [19]  
**Bernardini, Sr.**

[11] **Patent Number: Des. 354,791**  
[45] **Date of Patent: \*\* Jan. 24, 1995**

[54] **LURE RETRIEVER**

4,986,022 1/1991 Wilkinson ..... 43/17.2

[76] **Inventor: William J. Bernardini, Sr., 648  
Crossroads Park Dr., Aiken, S.C.  
29803**

*Primary Examiner—A. Hugo Word  
Assistant Examiner—Doris V. Coles  
Attorney, Agent, or Firm—Hugh E. Smith*

[\*\*] **Term: 14 Years**

[57] **CLAIM**

[21] **Appl. No.: 16,791**

The ornamental design for a lure retriever, as shown and described.

[22] **Filed: Dec. 28, 1993**

[52] **U.S. Cl. .... D22/134**

[58] **Field of Search ..... D22/134, 149; 43/17.2,  
43/44.9**

**DESCRIPTION**

FIG. 1 is a front elevational view of the lure retriever showing my new design;

FIG. 2 is a rear elevational view thereof;

FIG. 3 is a left side elevational view thereof;

FIG. 4 is a right side elevational view thereof;

FIG. 5 is a top plan view thereof; and,

FIG. 6 is a bottom plan view thereof.

The broken line showing of environment in FIG. 1 is for illustrative purposes only and forms no part of the claimed design.

[56] **References Cited**

**U.S. PATENT DOCUMENTS**

2,765,567	10/1956	Fifer .....	43/17.2
2,887,814	5/1959	Chambers .....	43/44.9
3,191,335	6/1965	Sobetzer .....	43/17.2
4,171,587	10/1979	Bullen, Jr. ....	43/17.2

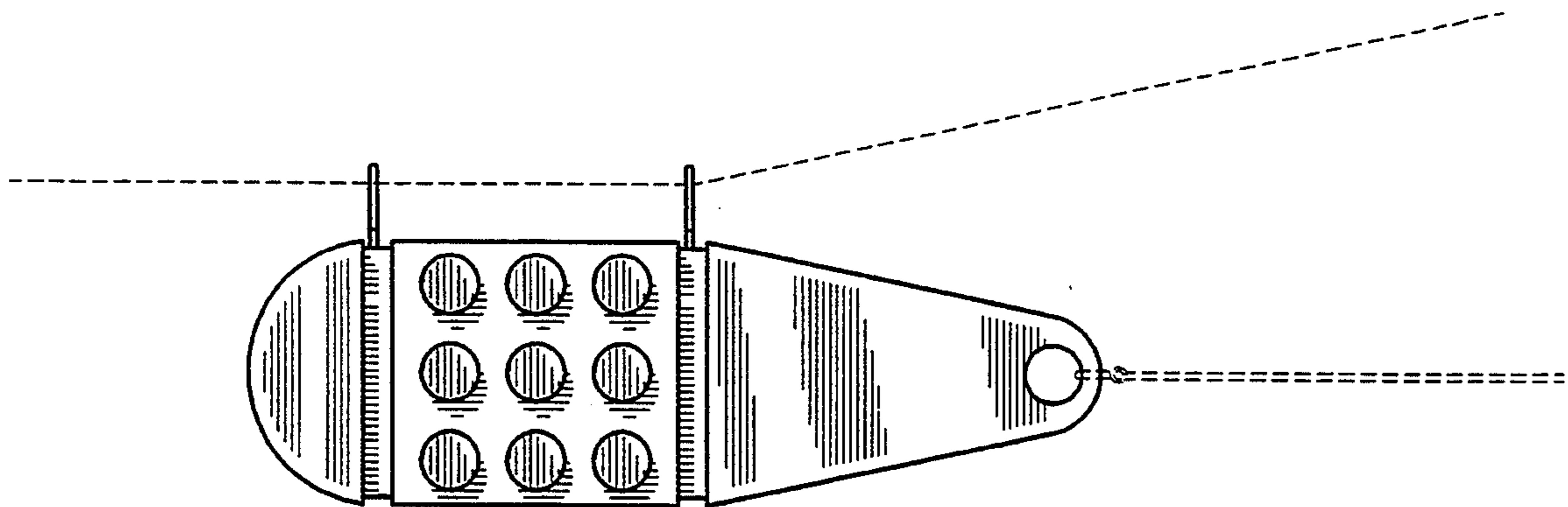


FIG. 1

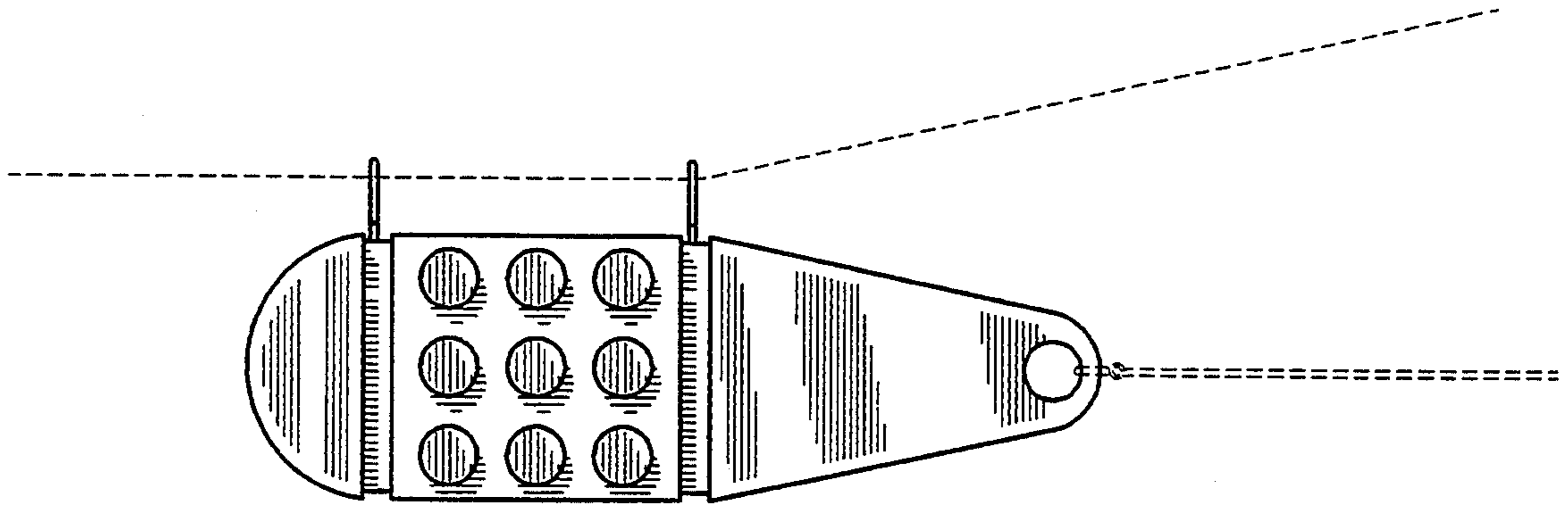
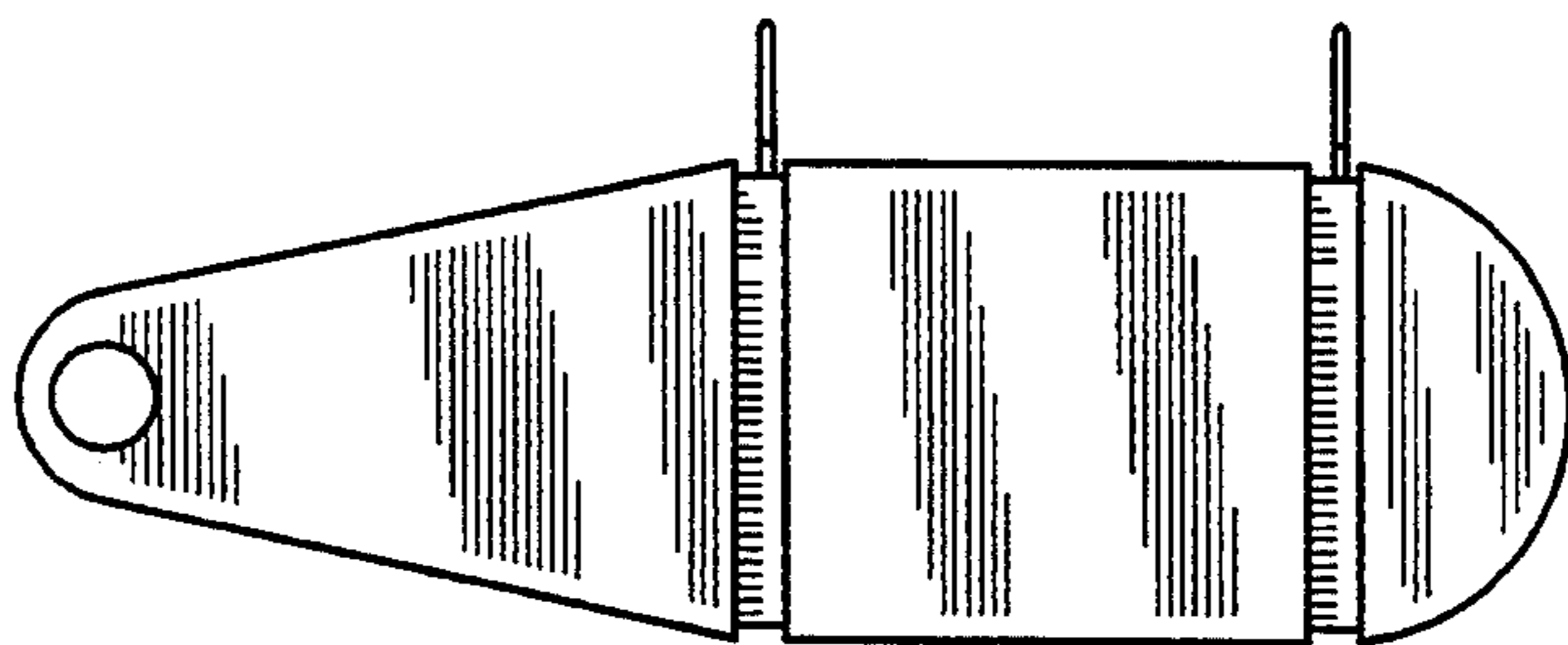
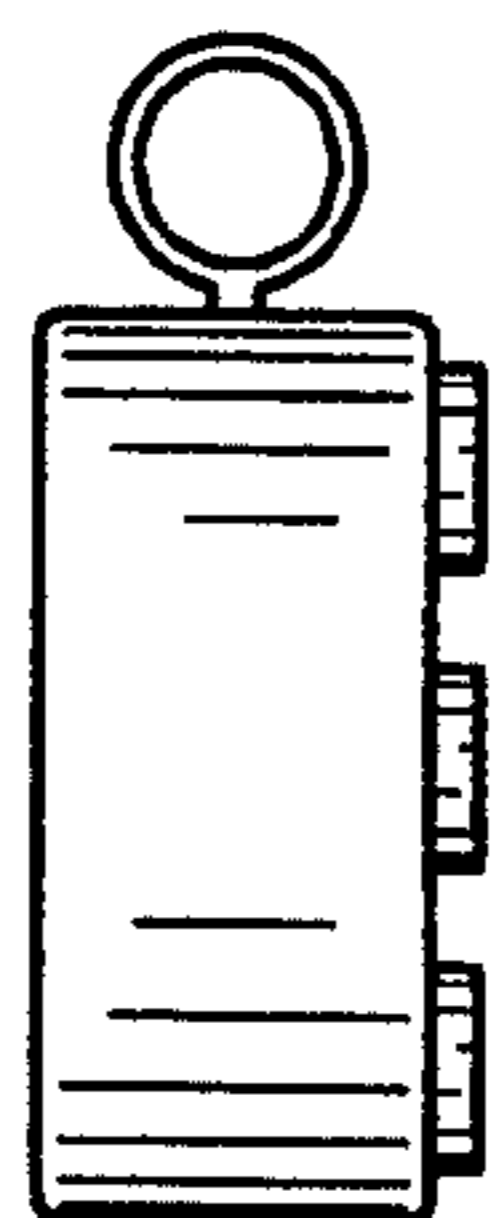


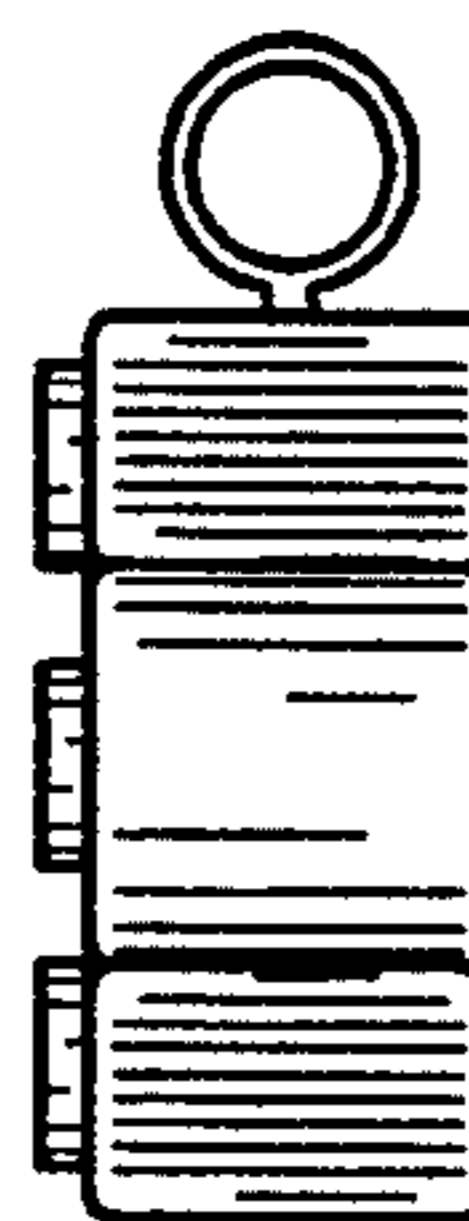
FIG. 2



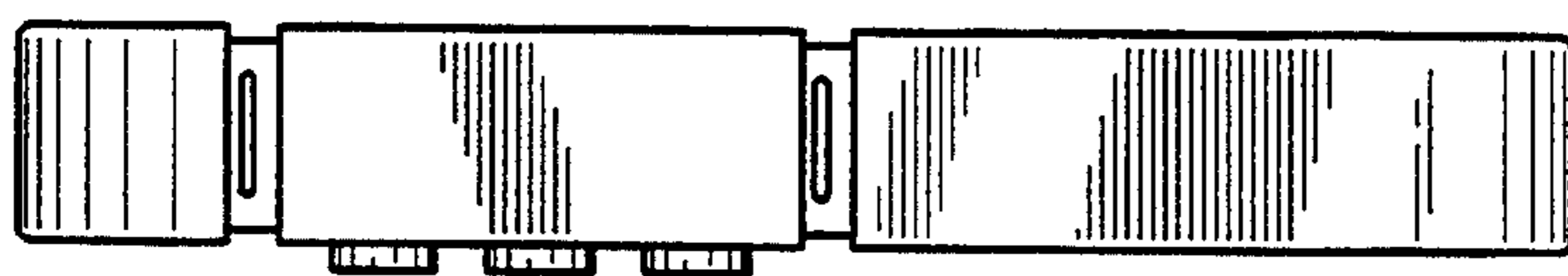
*FIG. 3*



*FIG. 4*



*FIG. 5*



*FIG. 6*

