



US00D354788S

**United States Patent** [19]  
**Howser**

[11] **Patent Number: Des. 354,788**  
[45] **Date of Patent: \*\* Jan. 24, 1995**

[54] **ARROWHEAD**  
[76] **Inventor: Billy R. Howser, 3101 25th St.,  
Meridian, Miss. 39301**  
[\*\*] **Term: 14 Years**  
[21] **Appl. No.: 5,550**  
[22] **Filed: Mar. 5, 1993**  
[52] **U.S. Cl. .... D22/115**  
[58] **Field of Search ..... D22/115; 273/421, 419,  
273/422, 416, 418, 420**

5,046,744 9/1991 Eddy ..... 273/421  
5,083,798 1/1992 Massey ..... 273/421

*Primary Examiner*—A. Hugo Word  
*Assistant Examiner*—Doris V. Coles  
*Attorney, Agent, or Firm*—Terry M. Gernstein

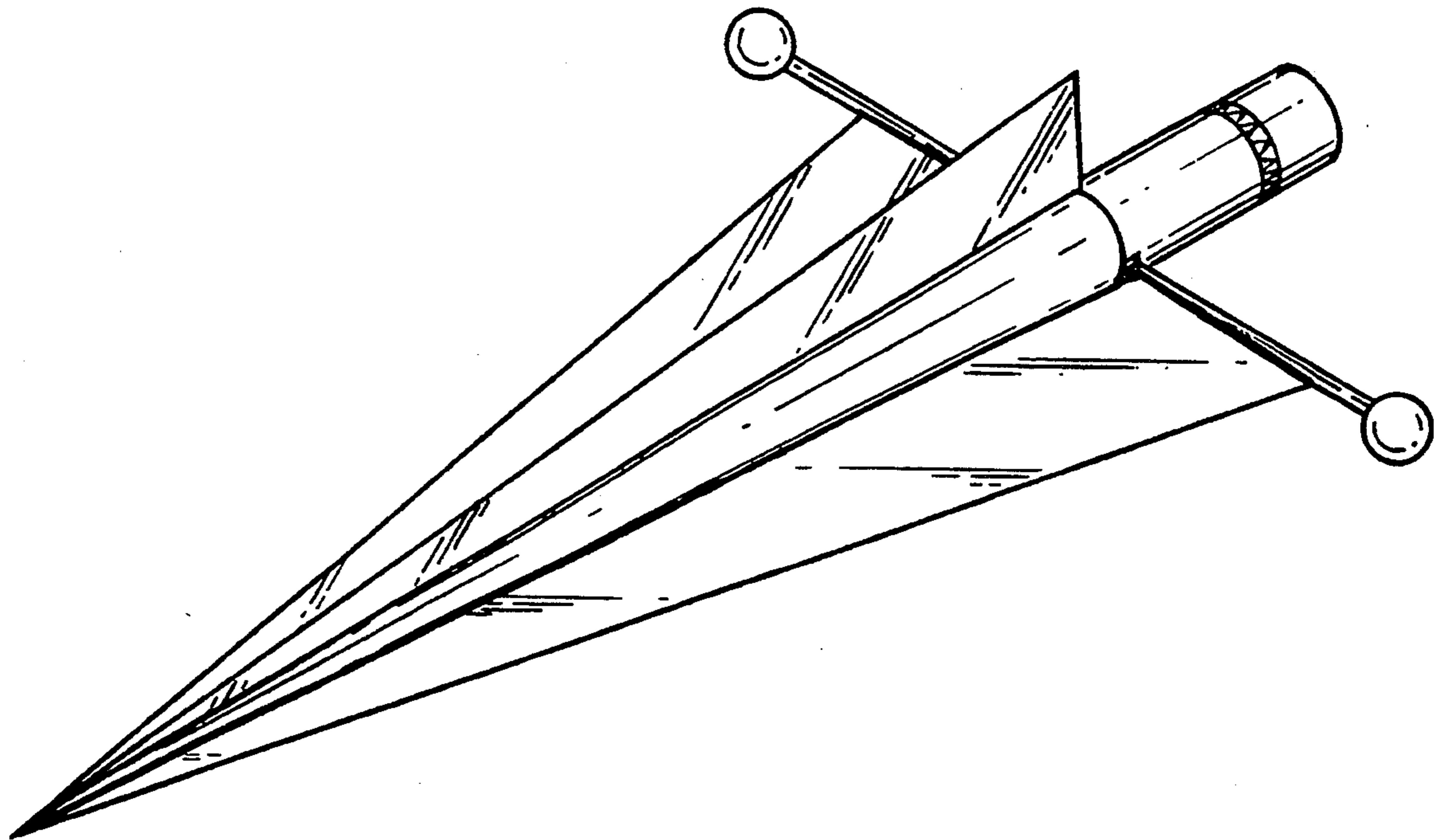
[57] **CLAIM**

The ornamental design for an arrowhead, as shown and described.

**DESCRIPTION**

FIG. 1 is a front, top and side perspective view of the arrowhead showing my new design;  
FIG. 2 is a front end elevational view thereof;  
FIG. 3 is a rear end elevational view thereof;  
FIG. 4 is a side elevational view thereof, the side opposite being a mirror image of the side shown in FIG. 4; and,  
FIG. 5 is a top plan view thereof, the bottom view being a mirror image of the top view shown in FIG. 5.

[56] **References Cited**  
**U.S. PATENT DOCUMENTS**  
2,925,278 2/1960 Sweetland ..... 273/419  
2,940,758 6/1960 Richter ..... 273/419 X  
4,380,340 4/1983 Simo ..... 273/419 X  
4,505,482 3/1985 Martin, Sr. .... 273/421  
4,973,060 11/1990 Herzing ..... 273/421



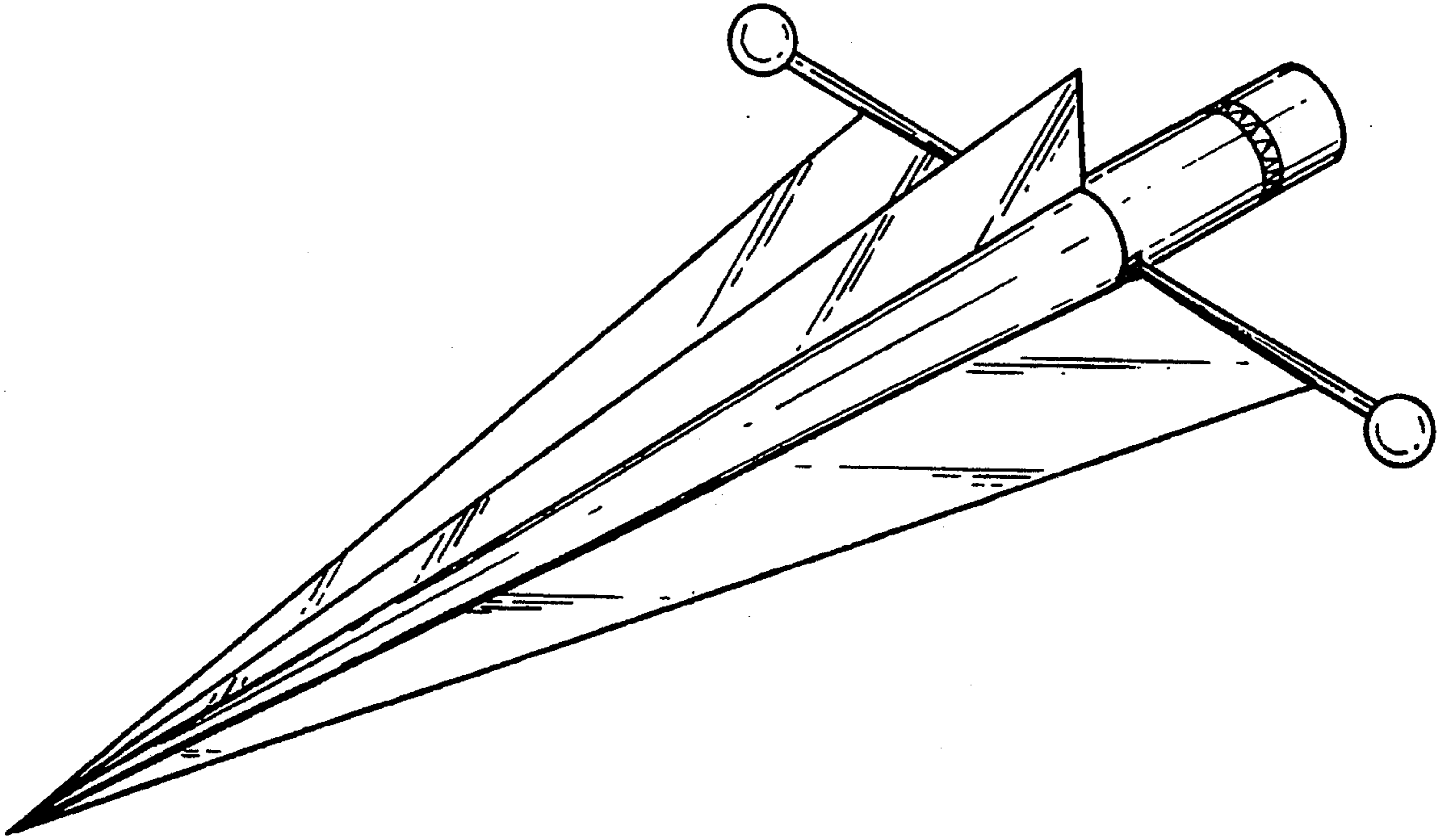


FIG. 1

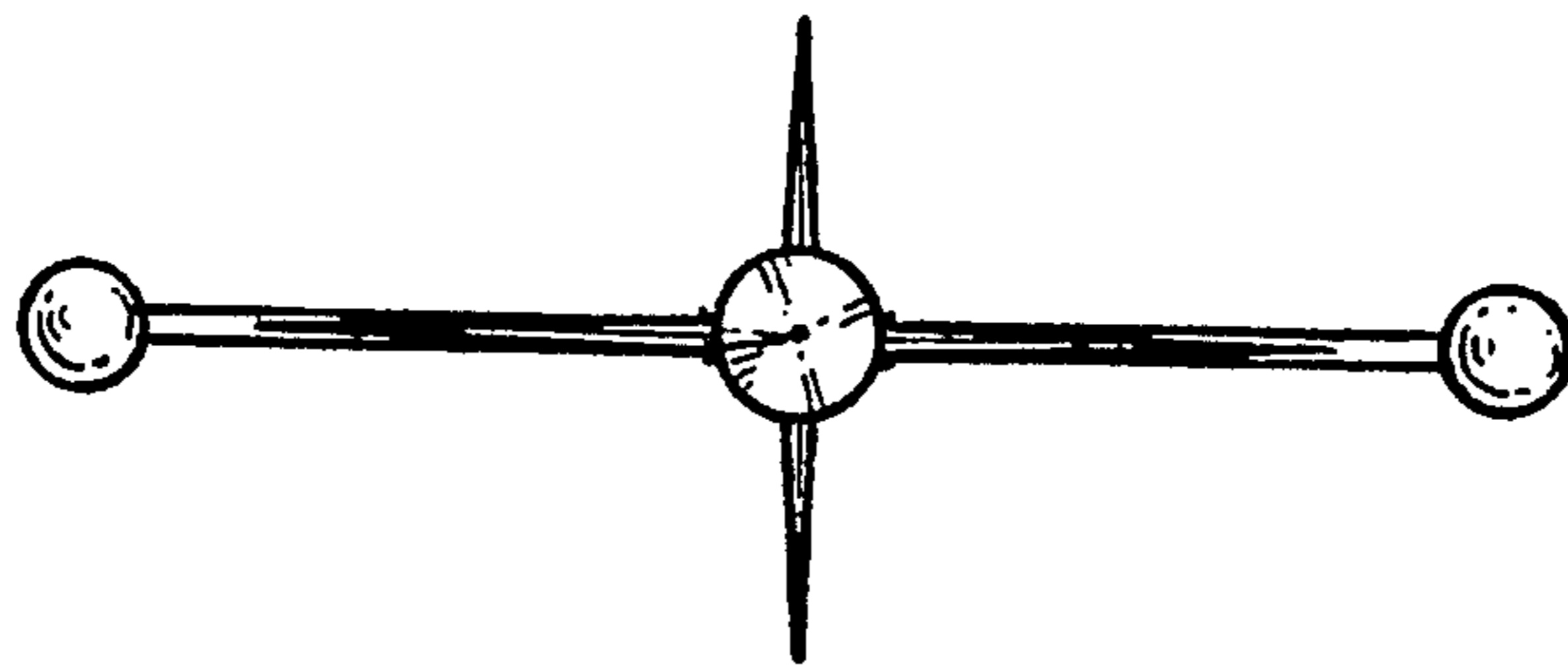


FIG. 2

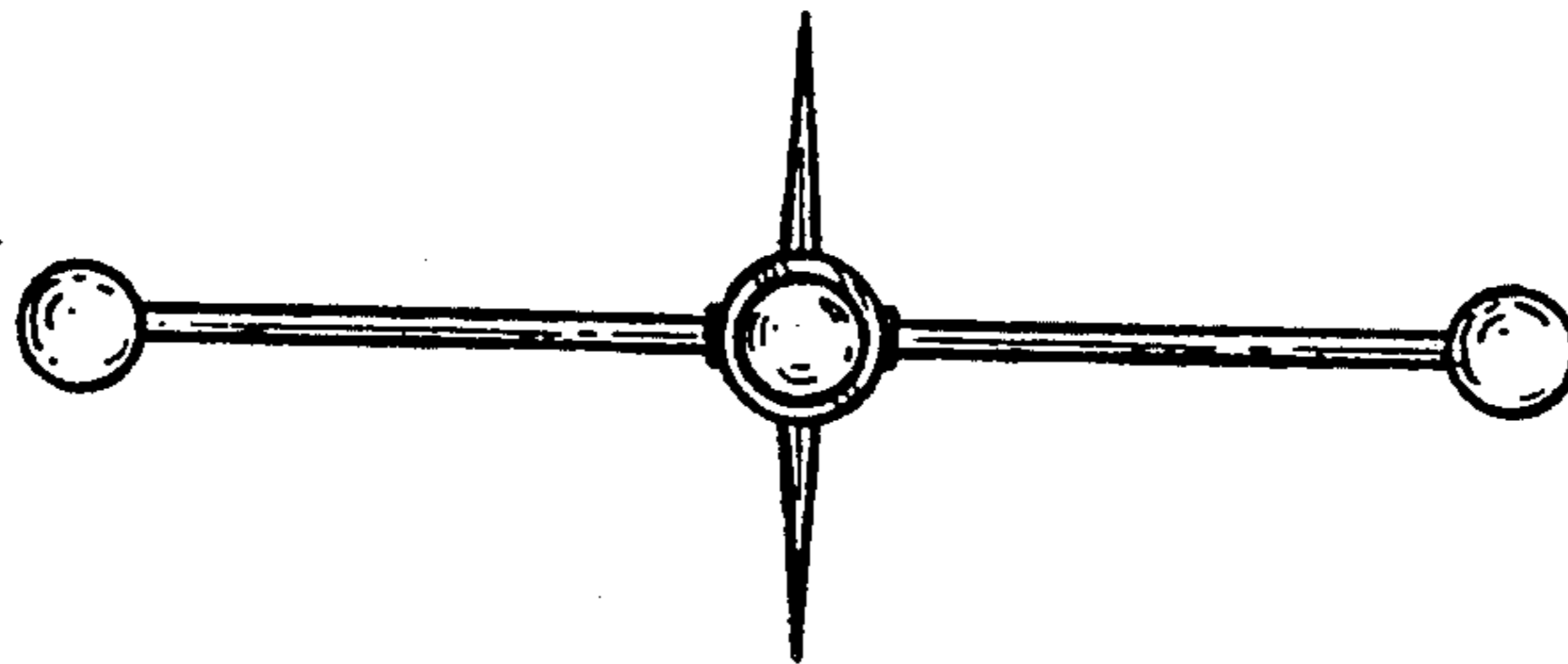


FIG. 3

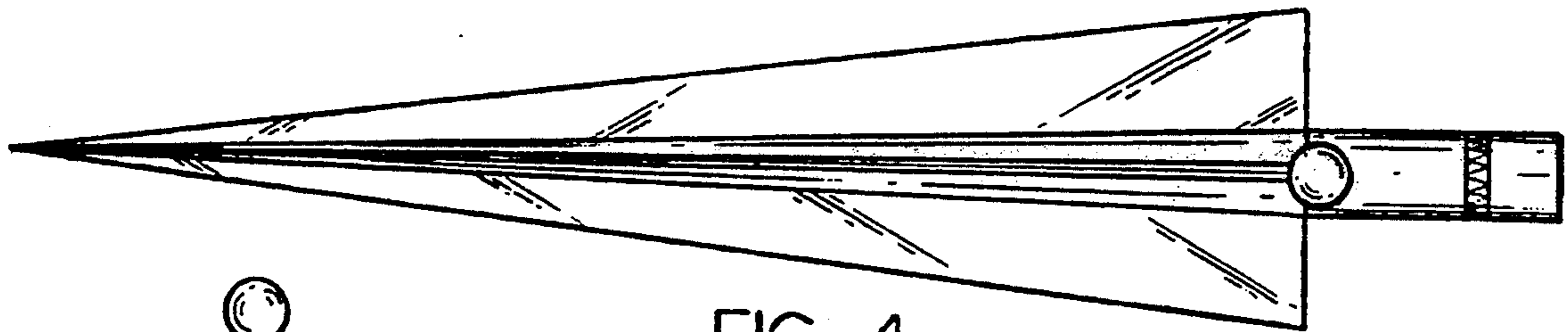


FIG. 4

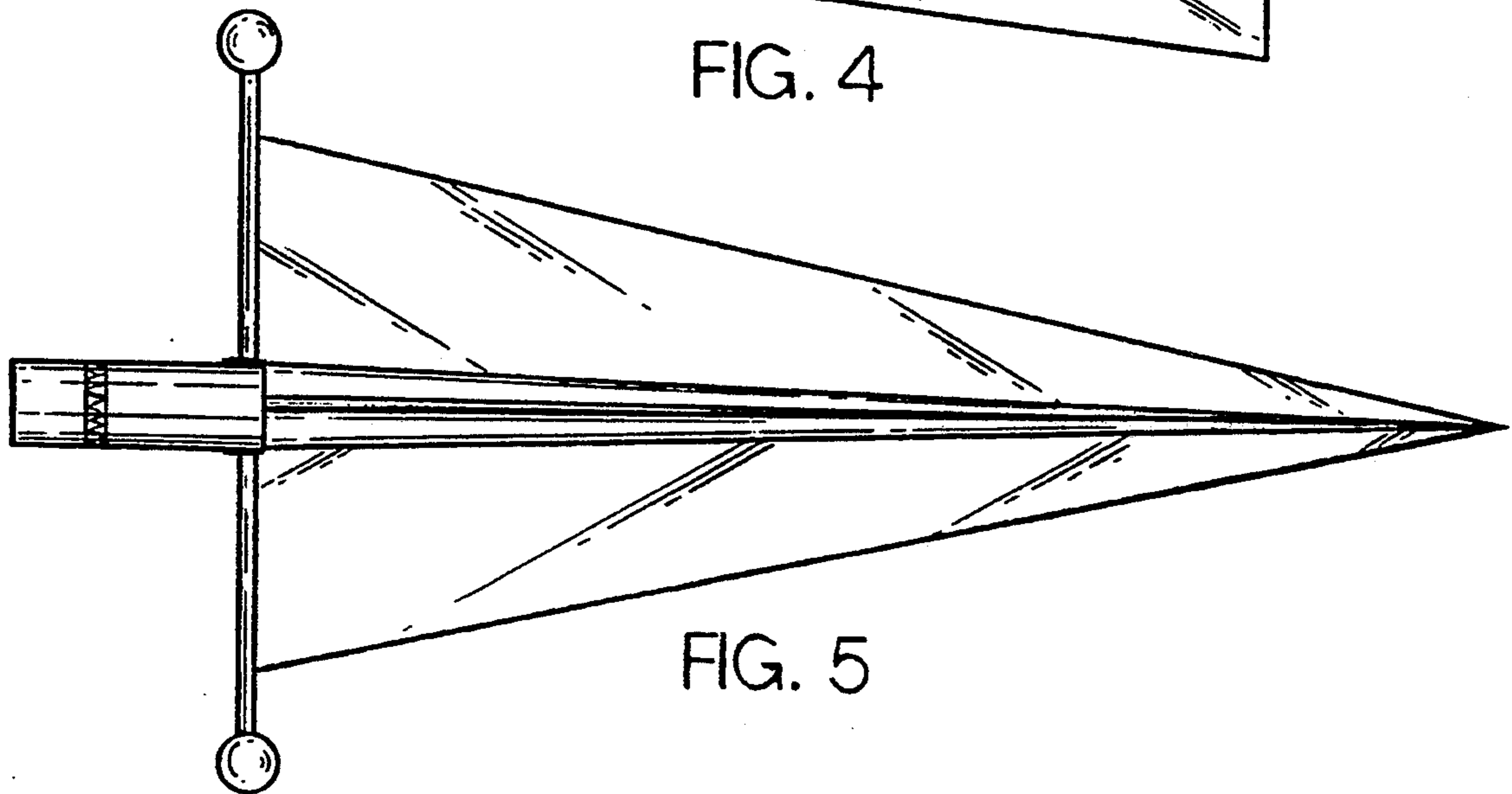


FIG. 5