



US00D354787S

# United States Patent [19] Stiles

[11] Patent Number: **Des. 354,787**  
[45] Date of Patent: **\*\* Jan. 24, 1995**

[54] **LIGHTING ATTACHMENTS FOR SKATES**  
[76] Inventor: **David L. Stiles, 56 Mt. Lebanon Dr.,  
Wheeling, W. Va. 26003**  
[\*\*] Term: **14 Years**  
[21] Appl. No.: **6,291**  
[22] Filed: **Mar. 24, 1993**  
[52] U.S. Cl. .... **D21/226; 280/11.19**  
[58] Field of Search ..... **D21/224-230;  
D26/37; 280/11.2, 8.18, 11.18, 11.22, 11.19;  
362/103**

4,997,196 3/1991 Wood .  
5,033,212 7/1991 Evanyk .

*Primary Examiner*—Bernard Ansher  
*Assistant Examiner*—R. Barkai  
*Attorney, Agent, or Firm*—Richard C. Litman

### [57] CLAIM

The ornamental design for lighting attachments for skates, as shown and described.

### DESCRIPTION

FIG. 1 is an environmental perspective view of lighting attachments for skates showing my new design, the portion of the figure shown in broken lines representing a skate and forming no part of the claimed design; FIG. 2 is a front elevational view thereof, the rear elevational view being a mirror image; FIG. 3 is a top plan view thereof; FIG. 4 is a left side elevational view thereof, the right side elevational view being a mirror image; and, FIG. 5 is a bottom plan view thereof. The lighting elements of FIGS. 3, 4 and 5 are shown in indeterminate length for clarity in the drawings.

### [56] References Cited

#### U.S. PATENT DOCUMENTS

D. 316,287	4/1991	Incze .....	D26/37
D. 324,889	3/1992	Gauthier .....	D26/37
2,140,224	12/1938	Galgoczy .....	362/103
2,502,566	4/1950	Hooley .....	362/103
2,531,959	11/1950	Woodard .....	362/103
4,367,515	1/1983	Beard .	
4,463,412	7/1984	Broach .	
4,761,720	8/1988	Solow .	

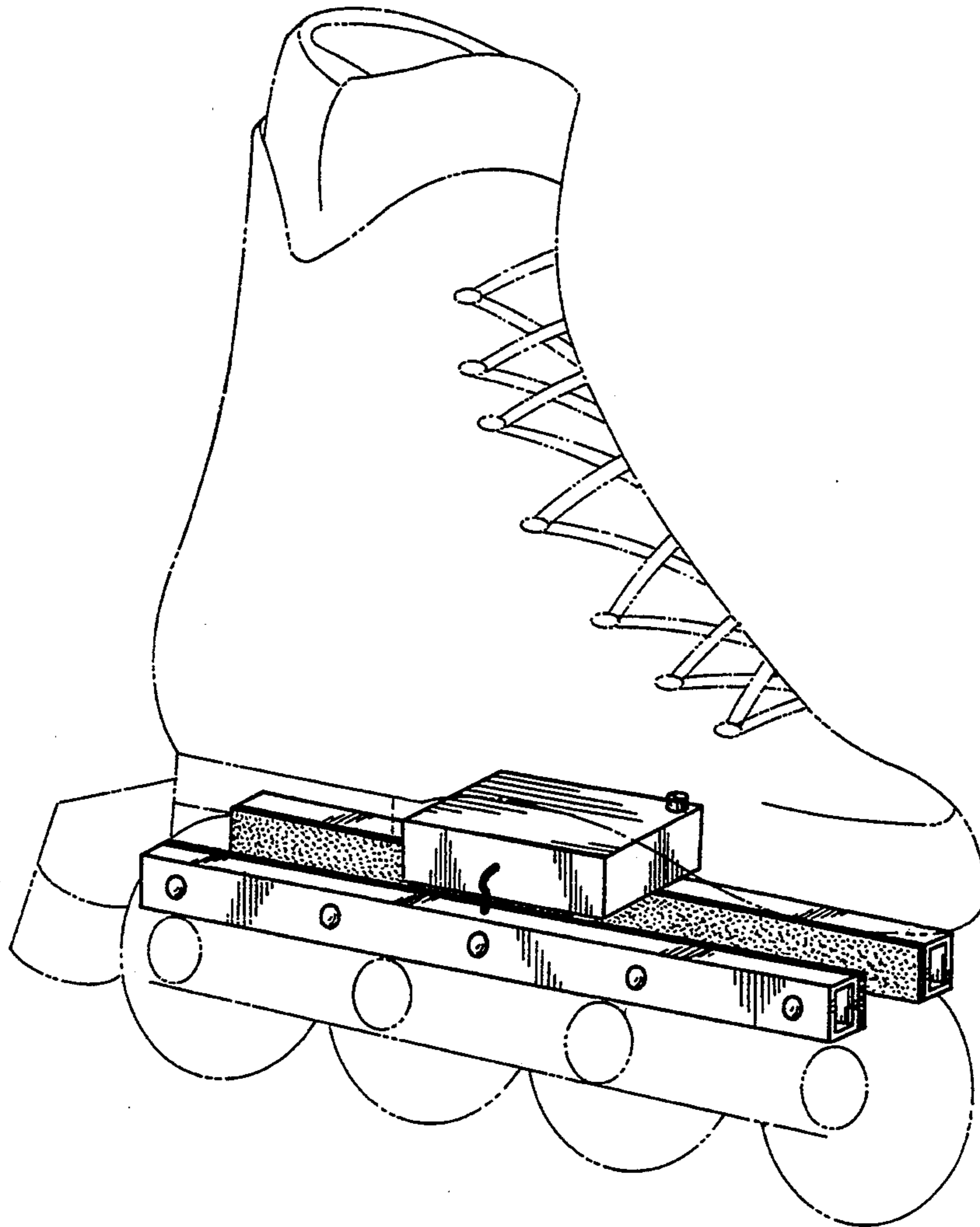


Fig. 1

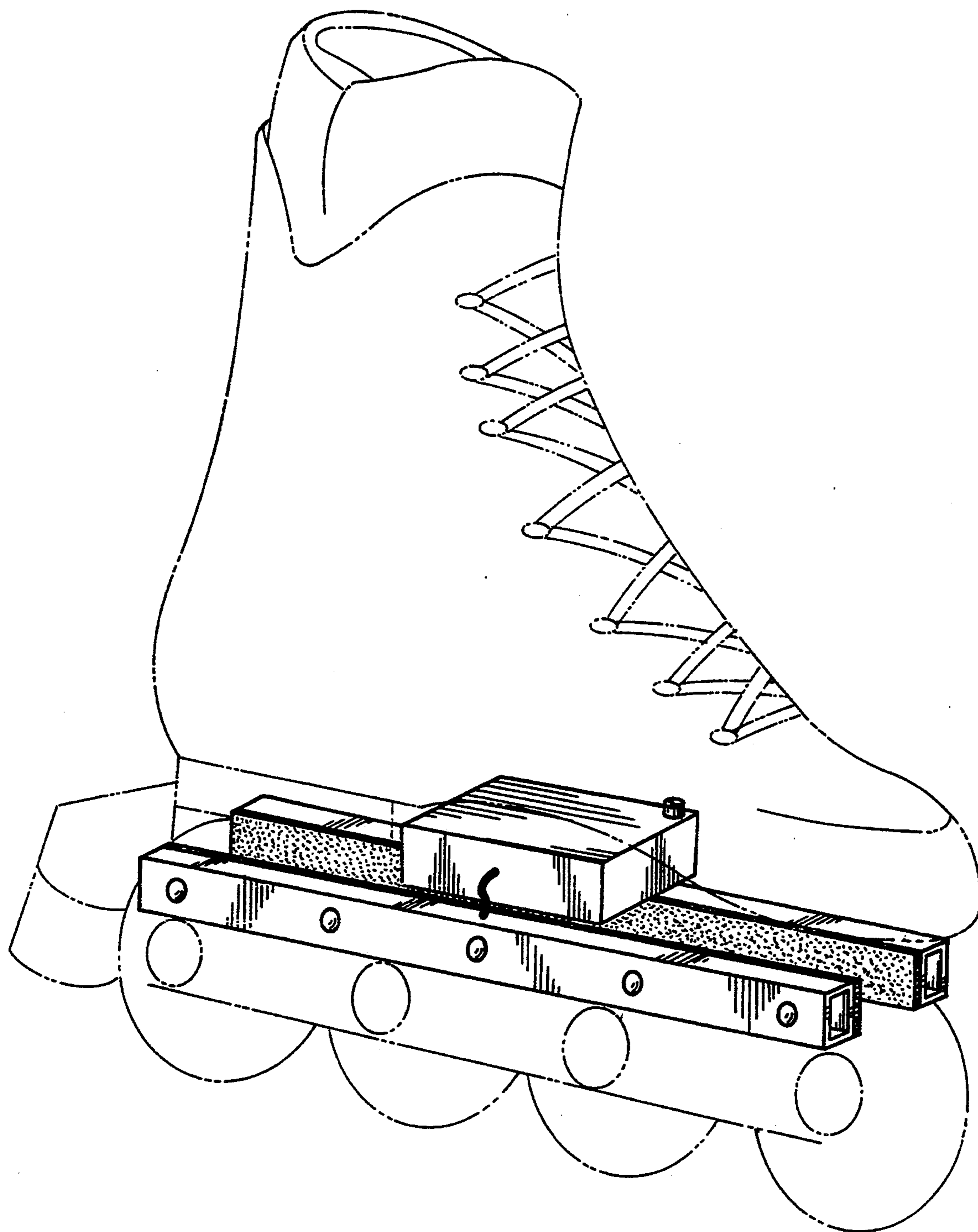


Fig. 2

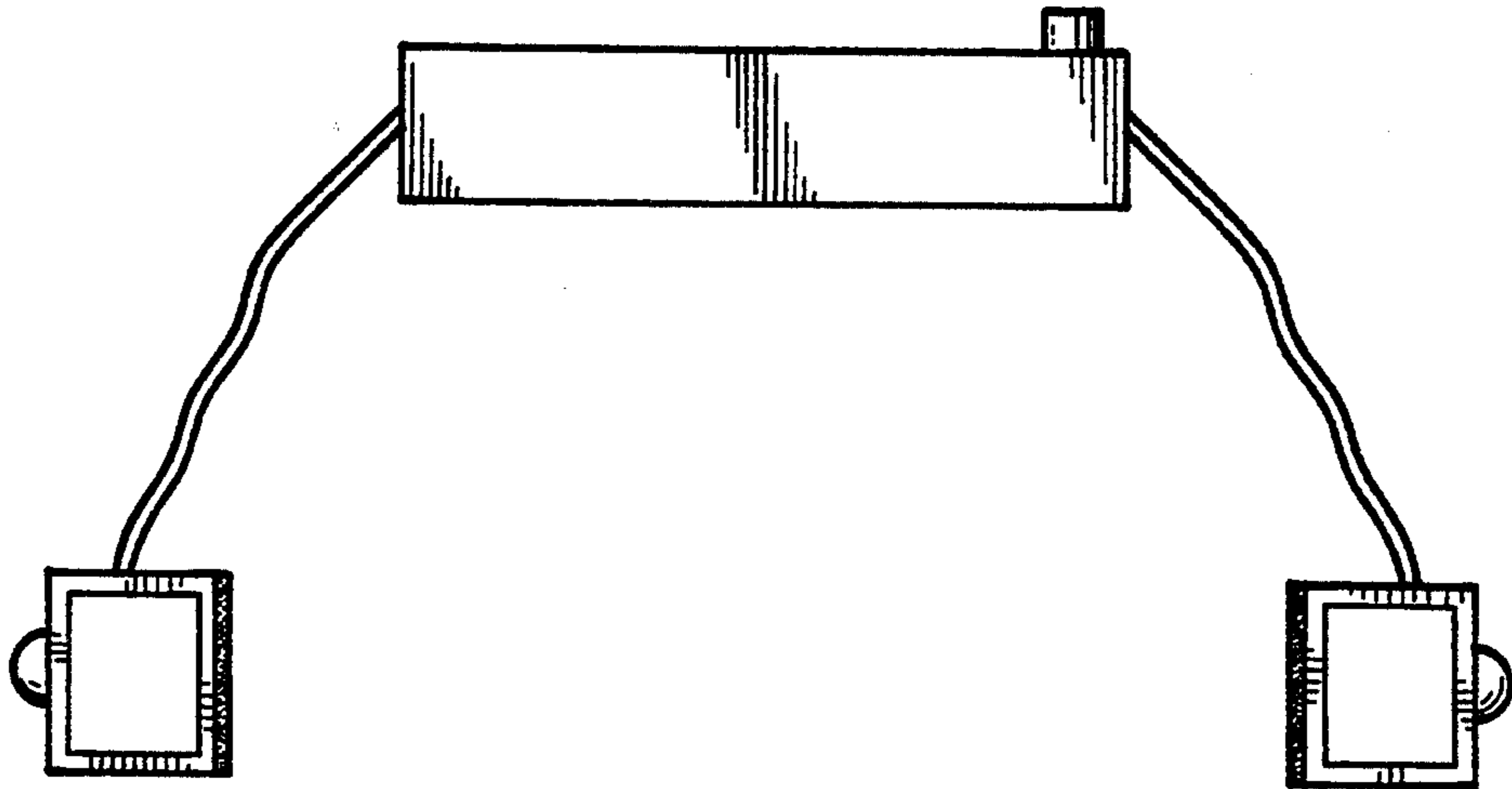


Fig. 3

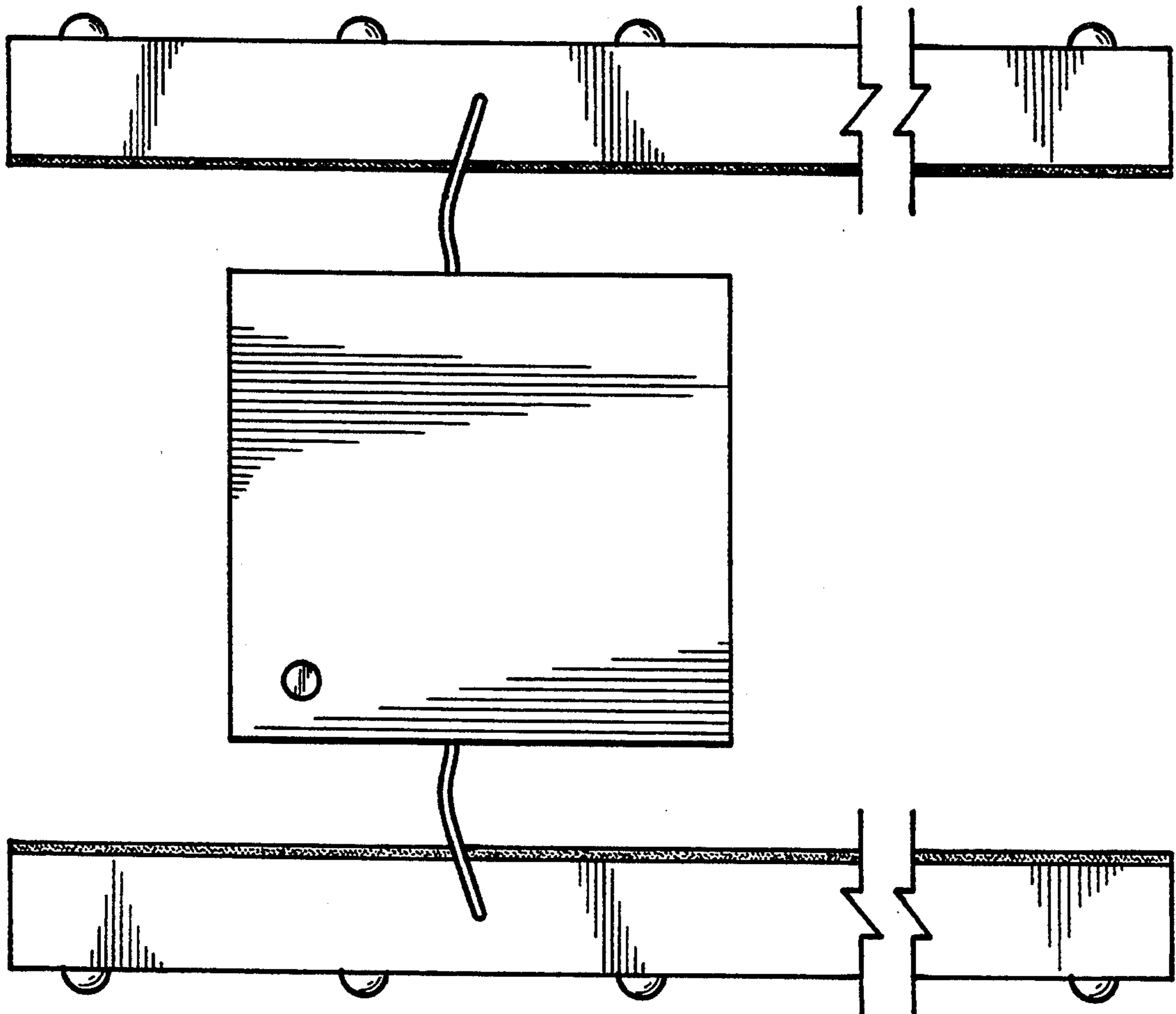


Fig. 4

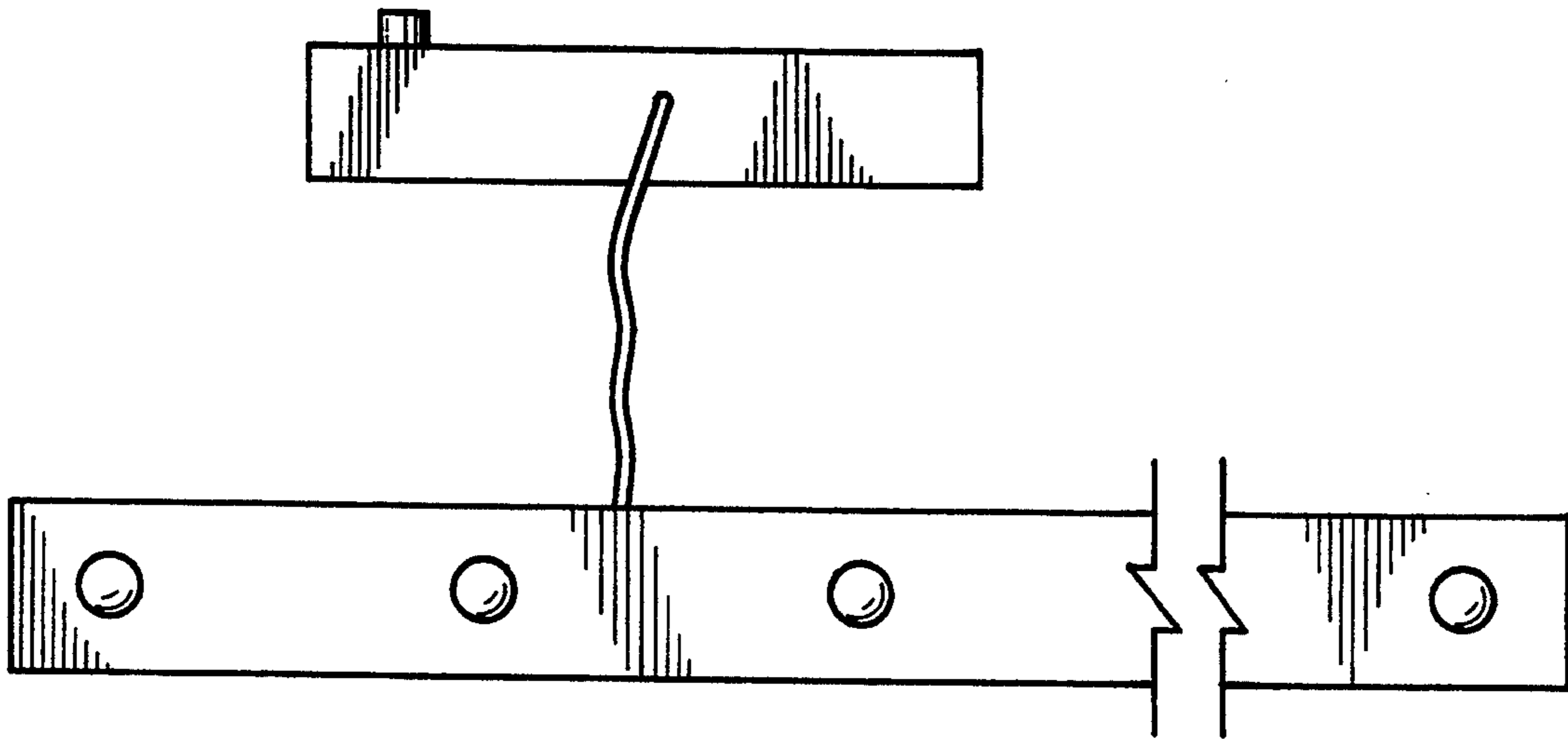


Fig. 5

