



US00D354786S

United States Patent [19]

[11] Patent Number: **Des. 354,786**

Manning et al.

[45] Date of Patent: **** Jan. 24, 1995**

[54] **GOLF CLUB HEAD**

[75] Inventors: **George E. Manning; Brian E. Fortini,**
both of Prospect, Ky.; **Vincent R. Reymann, Jr.,** Hendersonville, Tenn.

[73] Assignee: **Hillerich and Bradsby Co., Inc.,**
Jeffersonville, Ind.

[**] Term: **14 Years**

[21] Appl. No.: **3,870**

[22] Filed: **Jan. 21, 1993**

[52] U.S. Cl. **D21/220**

[58] Field of Search **D21/214-220;**
273/167-175

4,938,470	7/1990	Antonious .
4,957,294	9/1990	Long .
4,995,609	2/1991	Parente et al. .
5,011,151	4/1991	Antonious .
5,014,993	5/1991	Antonious .
5,026,056	6/1991	McNally et al. .
5,046,733	9/1991	Antonious .
5,048,834	9/1991	Gorman .
5,048,835	9/1991	Gorman .
5,074,563	12/1991	Gorman .
5,078,397	1/1992	Aizawa .
5,078,400	1/1992	Desbiolles et al. .
5,120,062	6/1992	Scheie et al. .
5,193,805	3/1993	Solheim .

OTHER PUBLICATIONS

Golf Digest, Jul. 1990, p. 123, lower right, iron club heads.

Primary Examiner—Melvin B. Feifer
Attorney, Agent, or Firm—Welsh & Katz, Ltd.

[57] **CLAIM**

The ornamental design for a golf club head, as shown and described.

DESCRIPTION

FIG. 1 is a perspective view of a golf club head in accordance with our new design;
FIG. 2 is a plan view thereof;
FIG. 3 is a front elevational view thereof;
FIG. 4 is a toe end elevational view thereof;
FIG. 5 is a heel end elevational view thereof;
FIG. 6 is a bottom plan view thereof;
FIG. 7 is a rear elevational view thereof;
FIG. 8 is a rear elevational view of a golf club head in accordance with another embodiment of our new design which differs only in the rear view; and,
FIG. 9 is a bottom plan view of the golf club head of FIG. 8.

[56] **References Cited**

U.S. PATENT DOCUMENTS

- D. 321,919 11/1991 Cheng .
- D. 323,689 2/1992 Hardman et al. .
- 1,917,774 7/1933 Ogg et al. .
- 2,846,228 8/1958 Reach .
- 3,655,188 4/1972 Solheim .
- 3,995,857 12/1976 Cochran et al. .
- 4,027,885 6/1977 Rogers .
- 4,200,286 4/1980 Bennett .
- 4,322,083 3/1982 Imai .
- 4,420,156 12/1983 Campau .
- 4,621,813 11/1986 Solheim .
- 4,632,400 12/1986 Boone .
- 4,715,601 12/1987 Lamanna .
- 4,802,672 2/1989 Long .
- 4,826,172 5/1989 Antonious .
- 4,848,747 7/1989 Fujimura et al. .
- 4,854,581 8/1989 Long .
- 4,858,929 8/1989 Long .
- 4,900,028 2/1990 Antonious .
- 4,907,806 3/1990 Antonious .
- 4,921,252 5/1990 Antonious .
- 4,932,658 6/1990 Antonious .

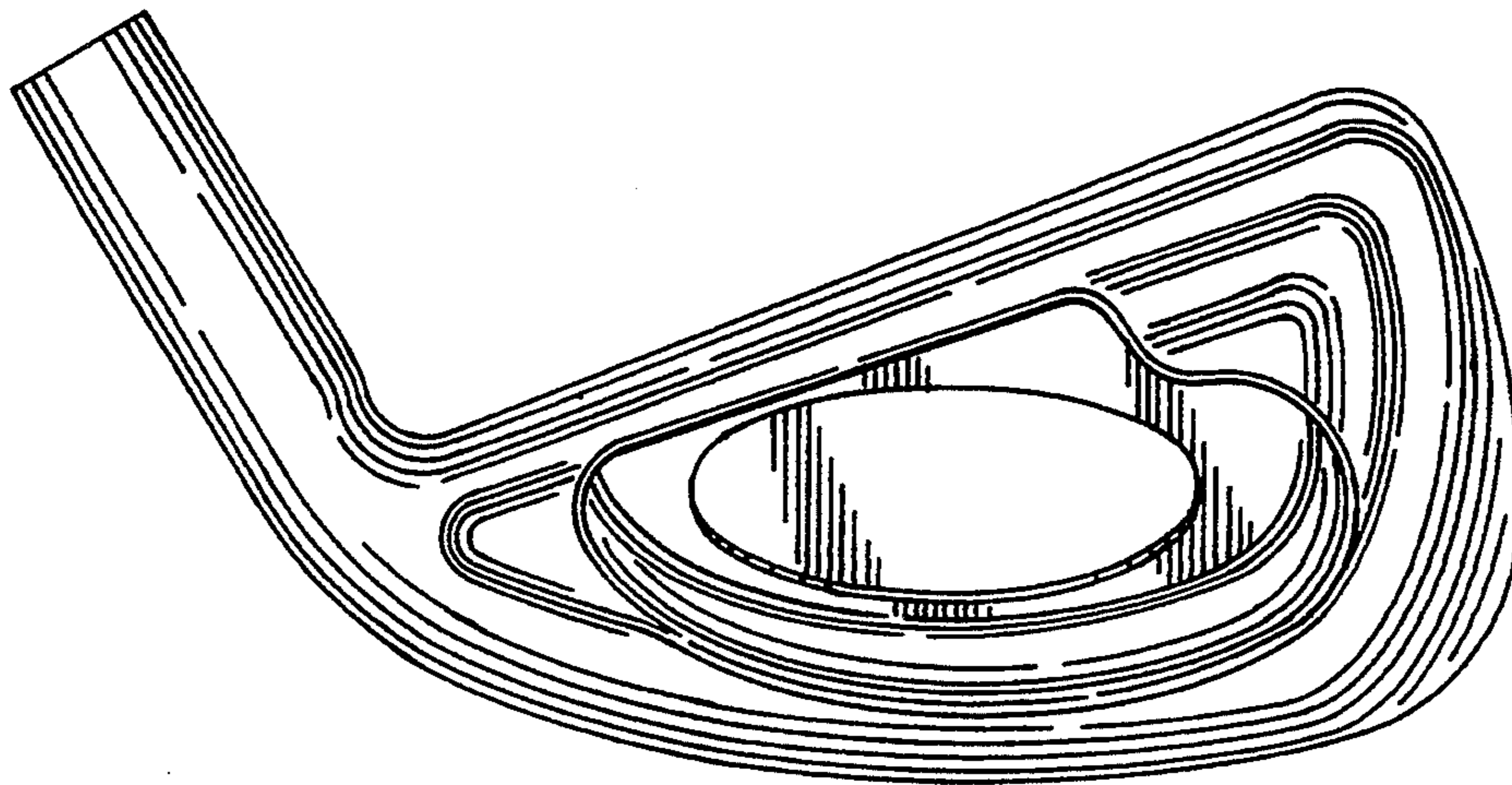


FIG. 1

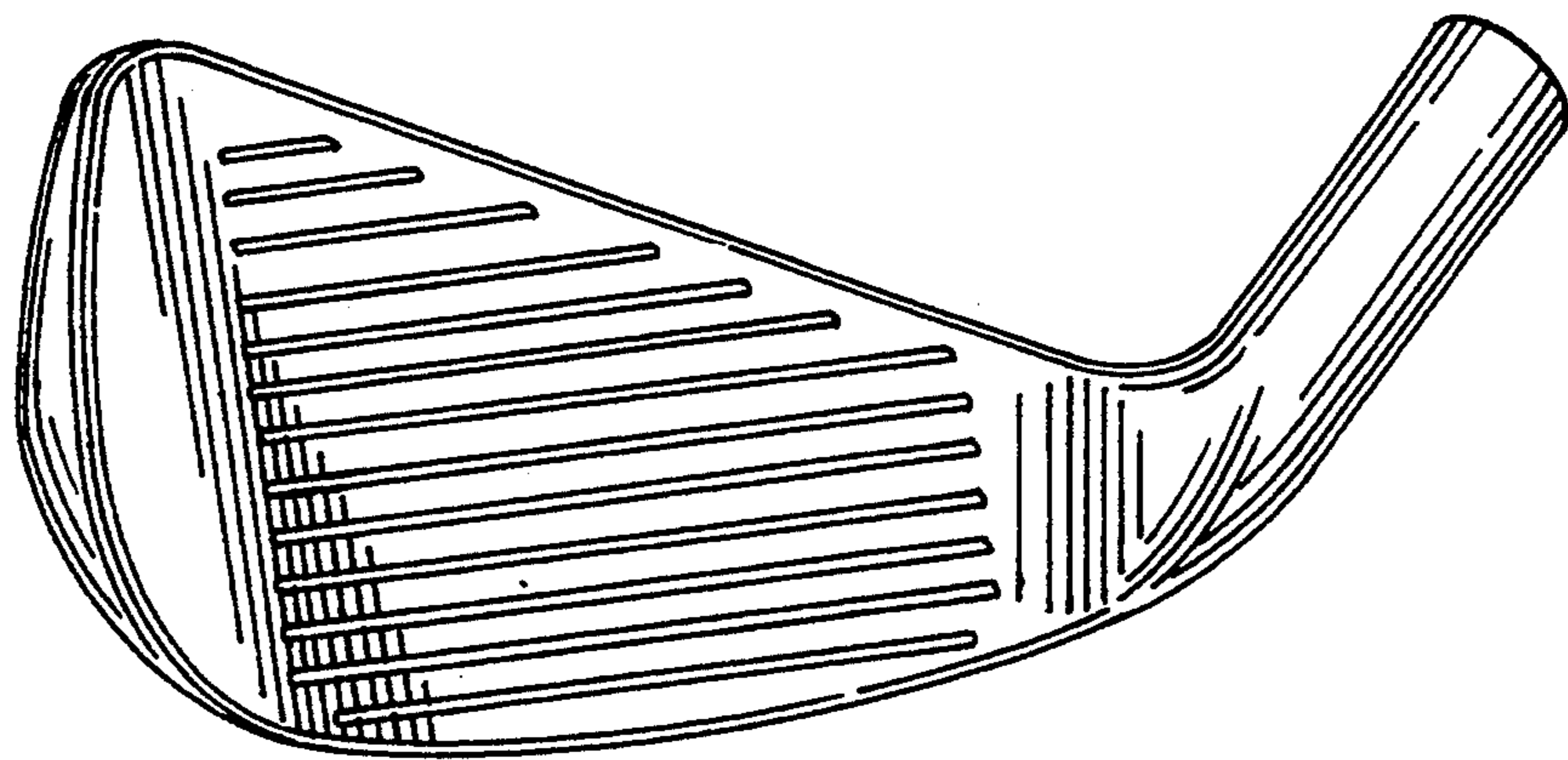


FIG. 2

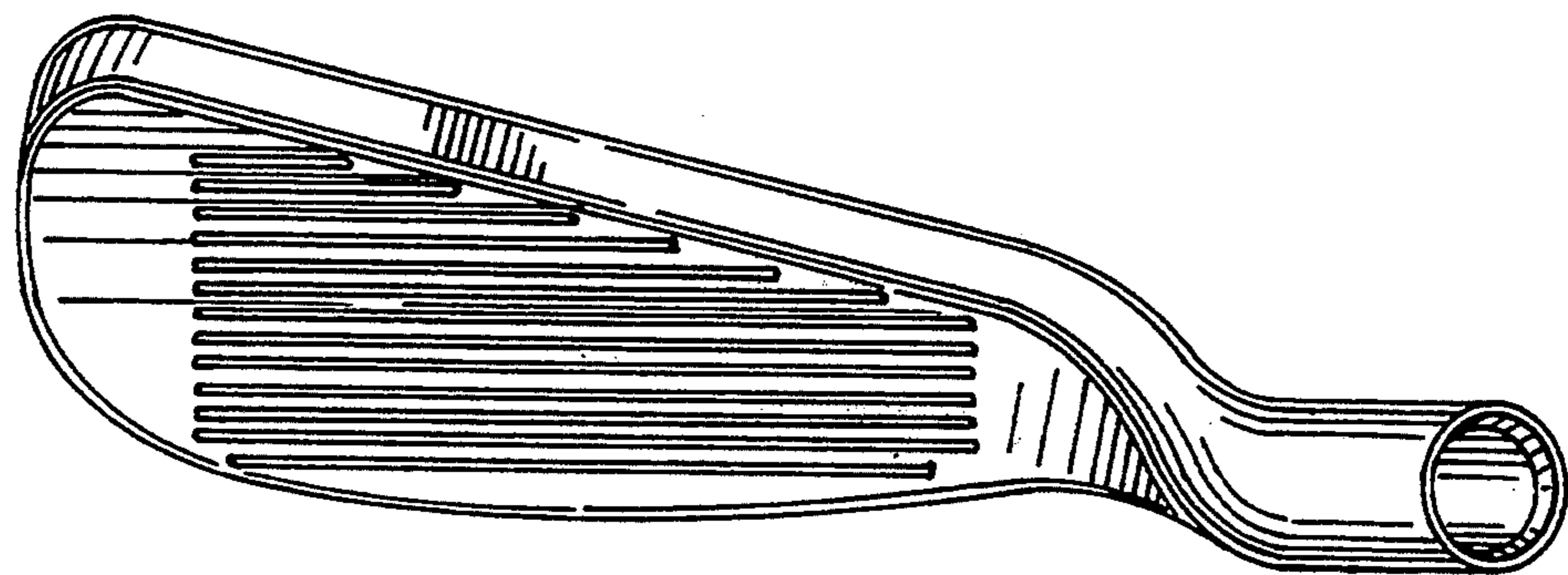


FIG. 3

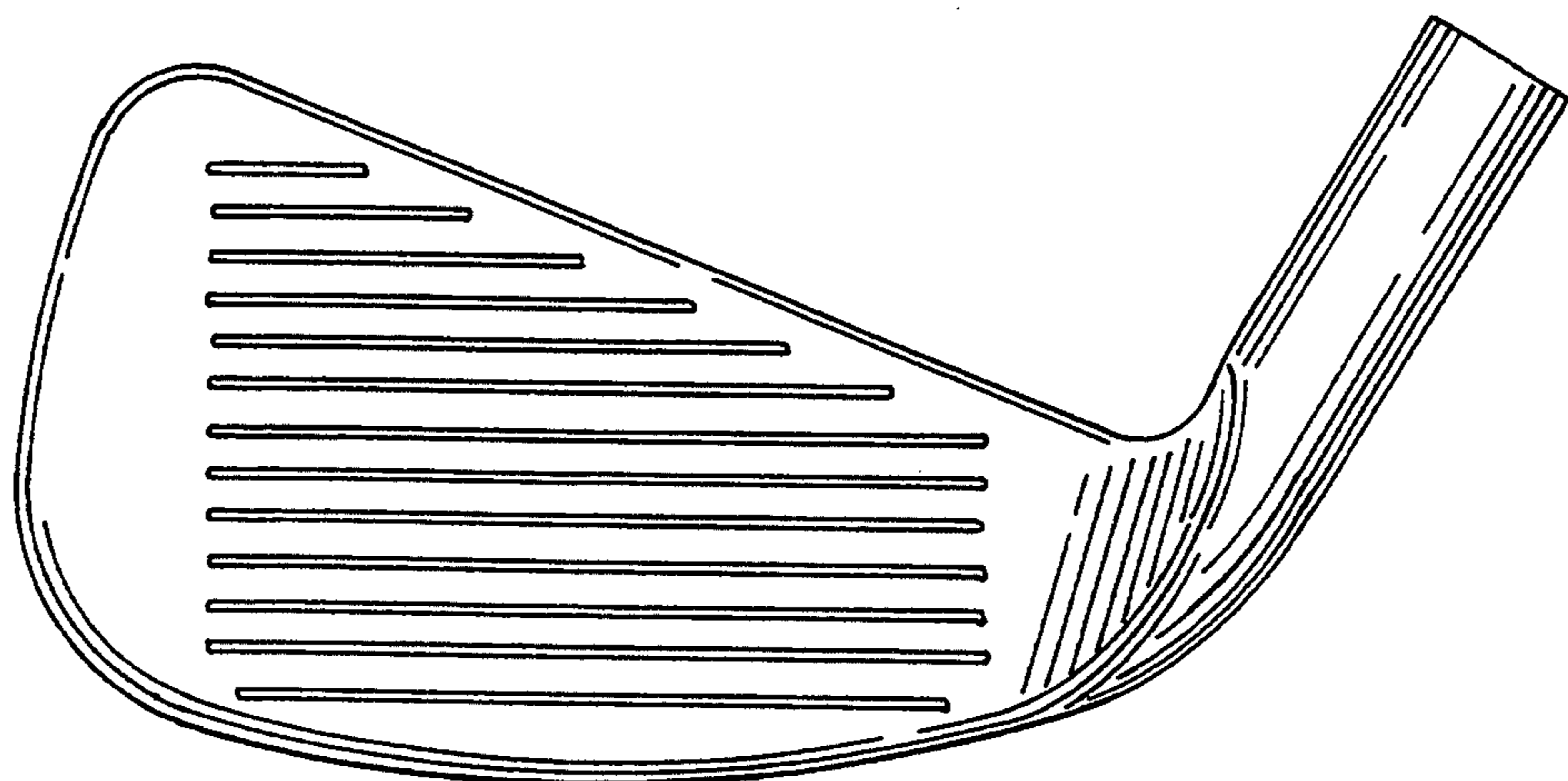


FIG. 4

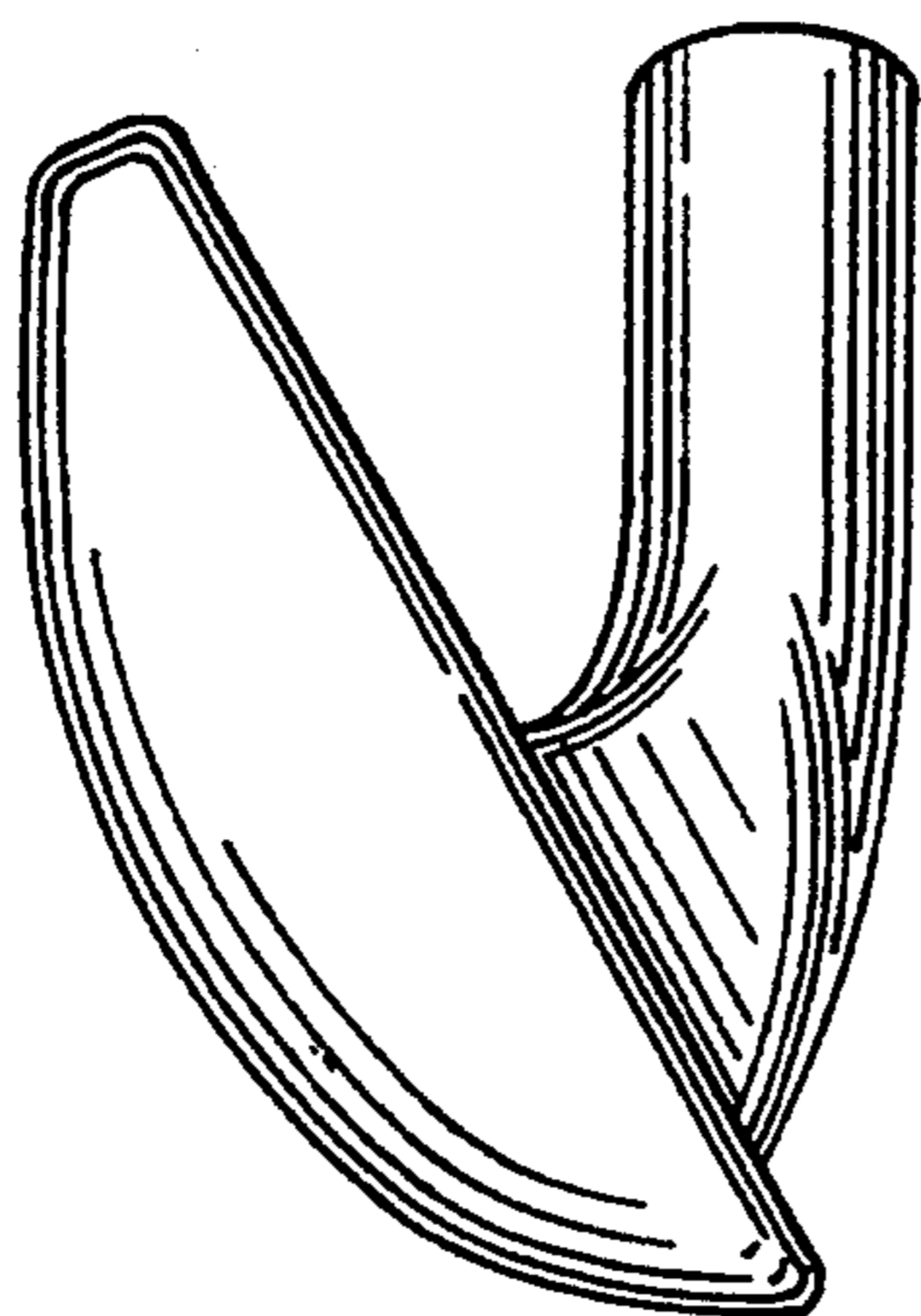


FIG. 5

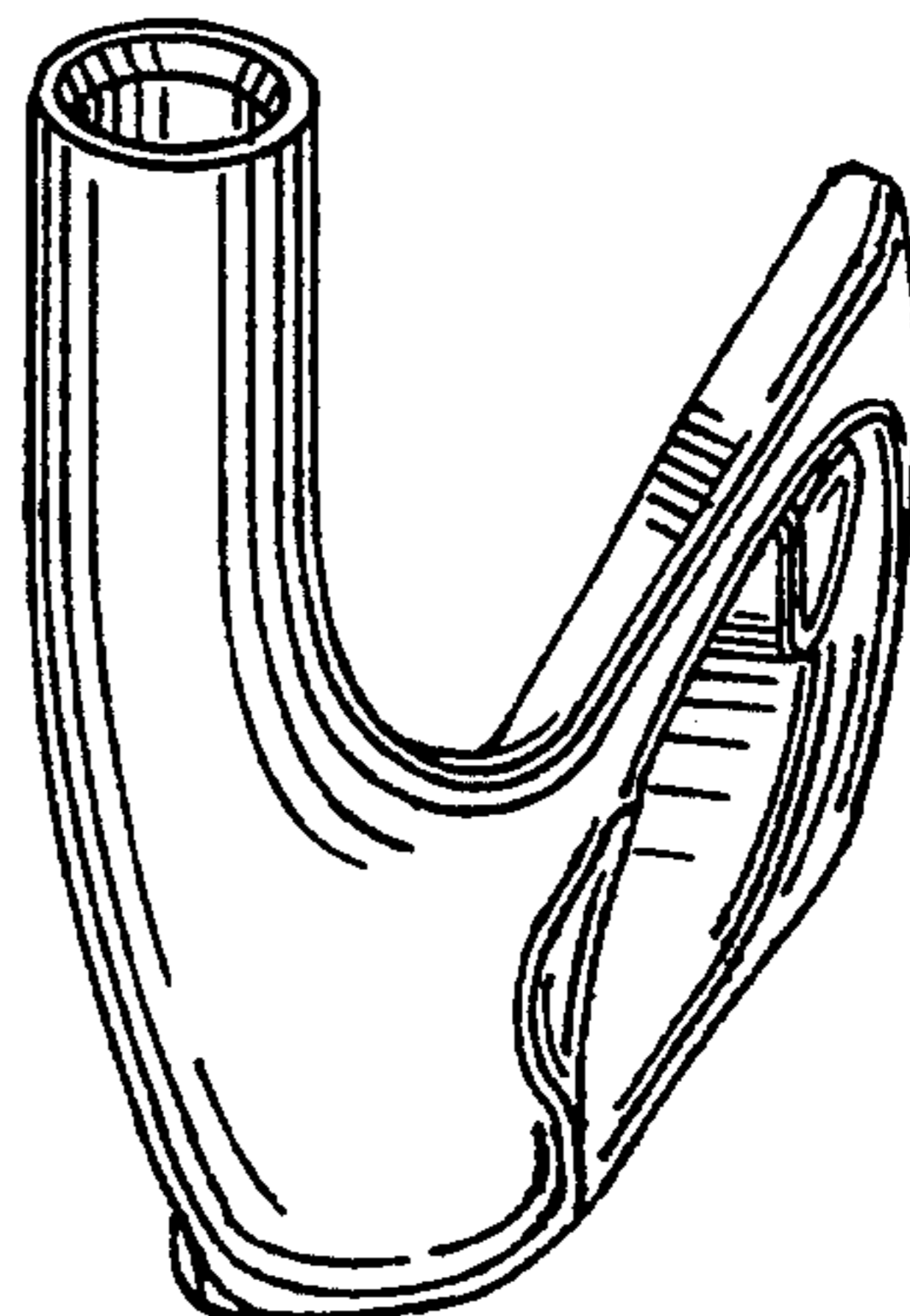


FIG. 6

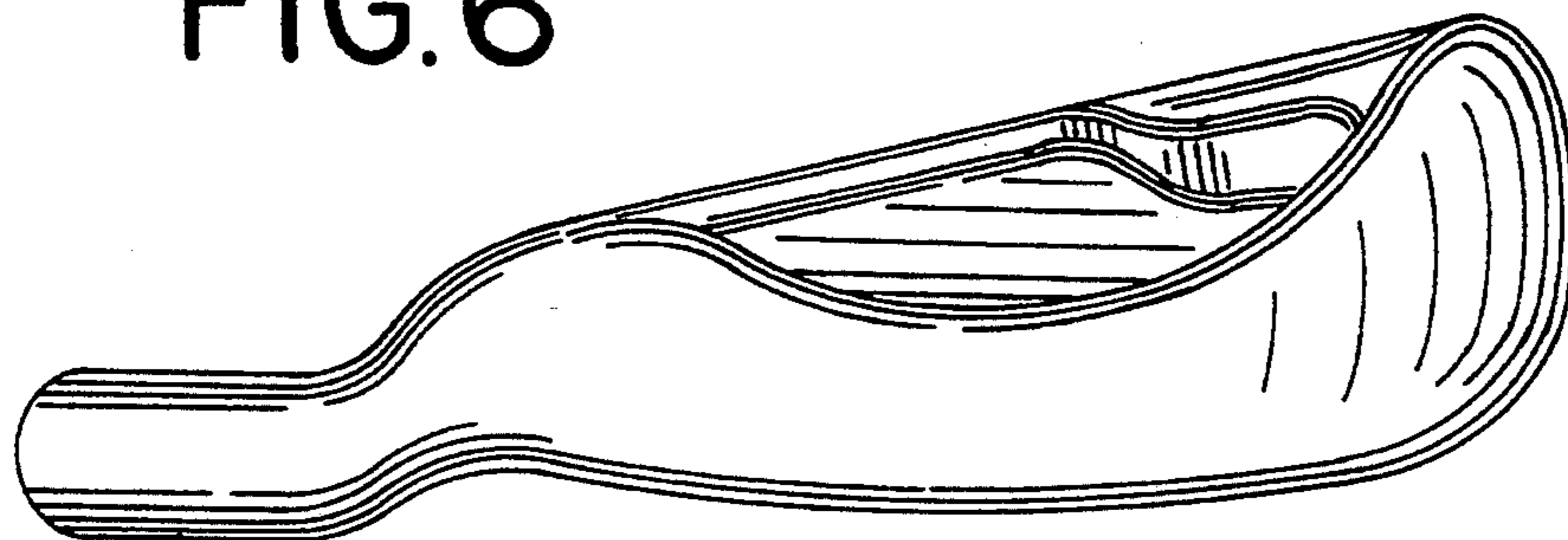


FIG. 7

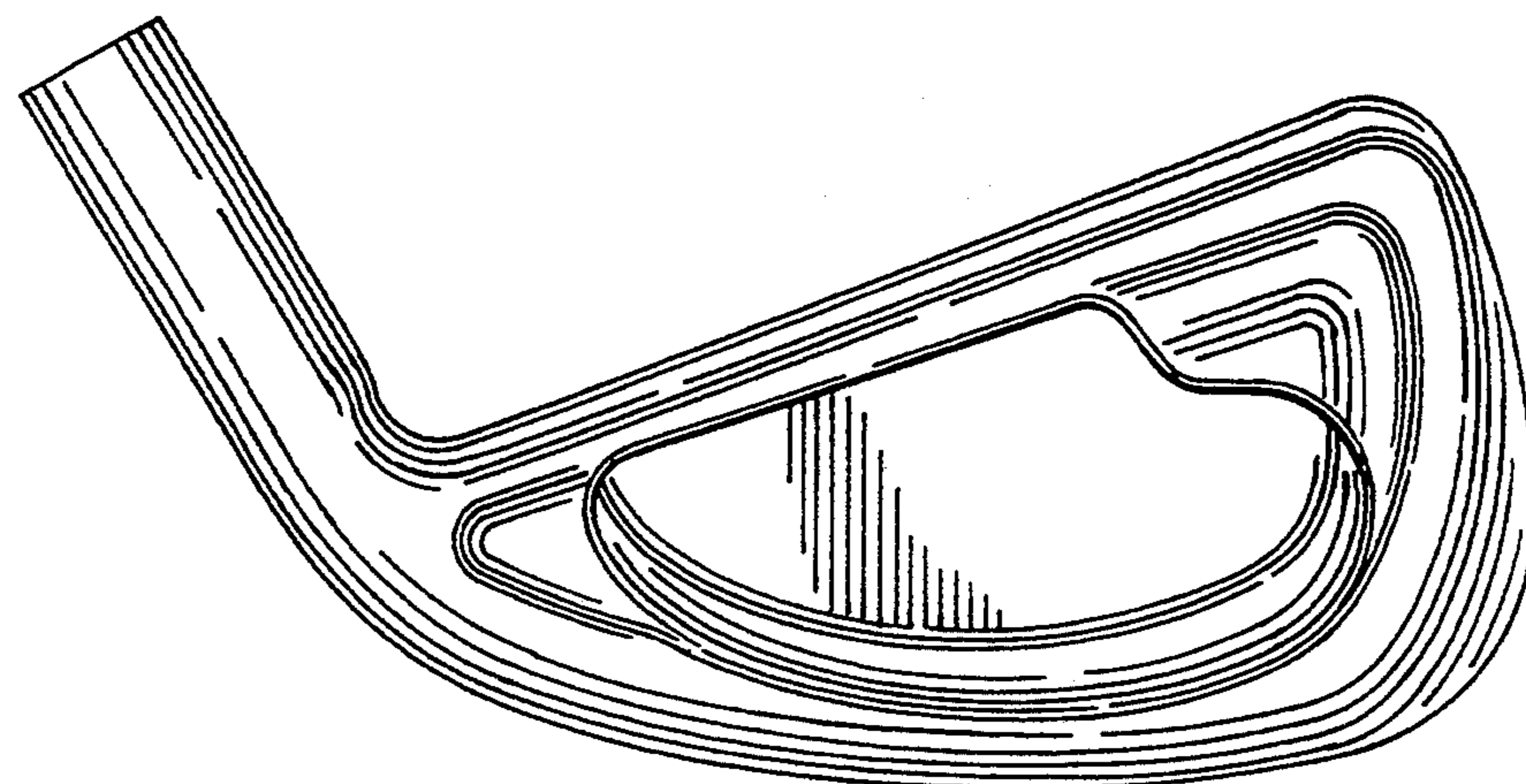


FIG. 8

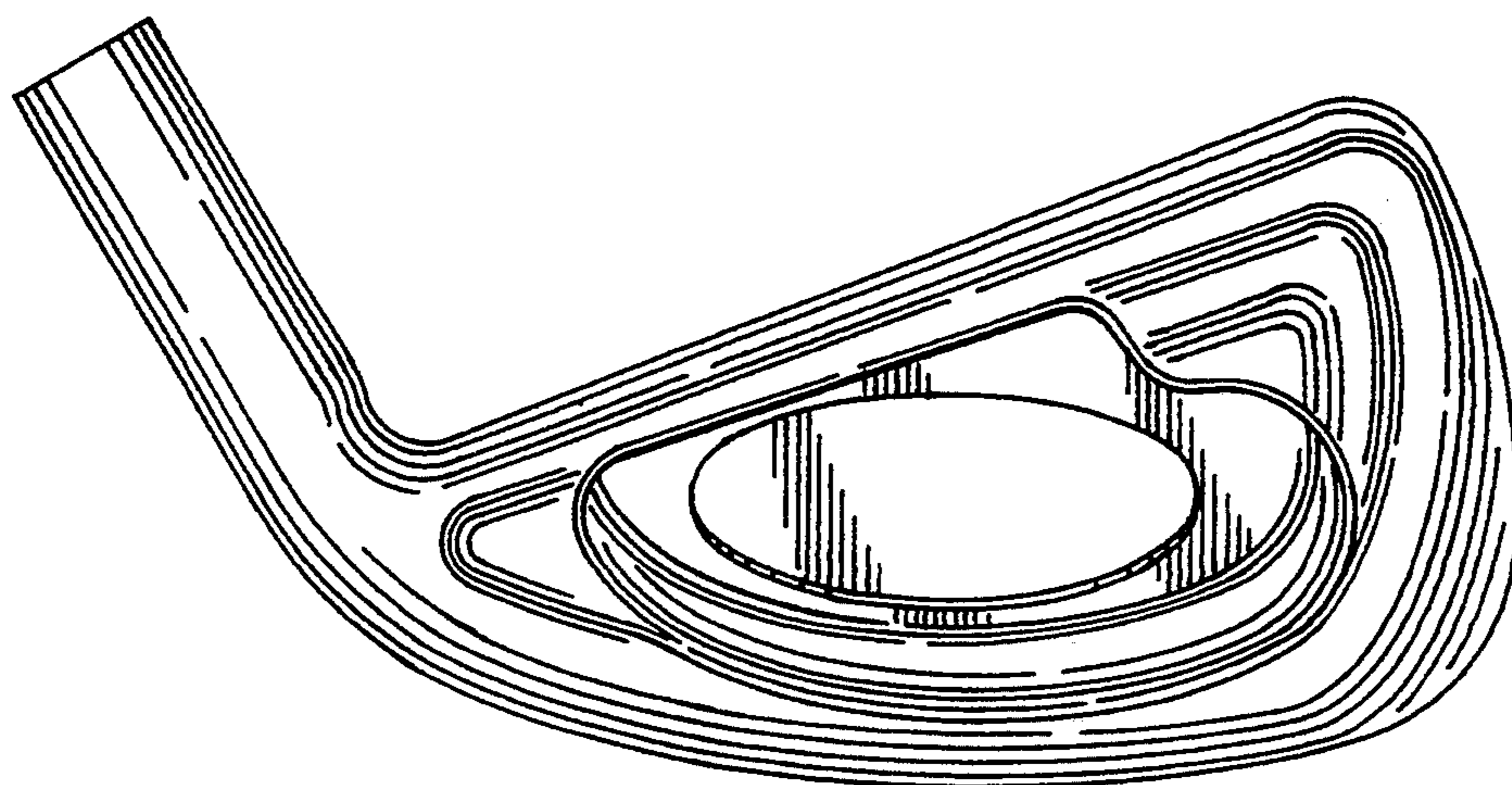


FIG. 9

