



US00D354781S

United States Patent [19]
Endelman

[11] **Patent Number: Des. 354,781**
[45] **Date of Patent: ** Jan. 24, 1995**

[54] **FRAME FOR A PHYSICAL EXERCISER**
[76] **Inventor: Ken Endelman, 7500 14th Ave., Ste. 23, Sacramento, Calif. 95820-3539**
[**] **Term: 14 Years**
[21] **Appl. No.: 8,400**
[22] **Filed: May 17, 1993**
[52] **U.S. Cl. D21/191**
[58] **Field of Search D21/191, 192, 193, 194, D21/195; 482/142, 133, 92, 93, 94, 97, 98, 123, 51, 72, 130, 131**

3,976,058 8/1976 Tidwell 482/142
4,468,025 8/1984 Sferle 482/142
4,666,154 5/1987 Lipscomb et al. 482/142
4,818,018 4/1989 Yamasaki 482/142
4,960,277 10/1990 LaRossa et al. 482/142

Primary Examiner—Bernard Ansher
Assistant Examiner—Philip Hyder
Attorney, Agent, or Firm—Bielen, Peterson & Lampe

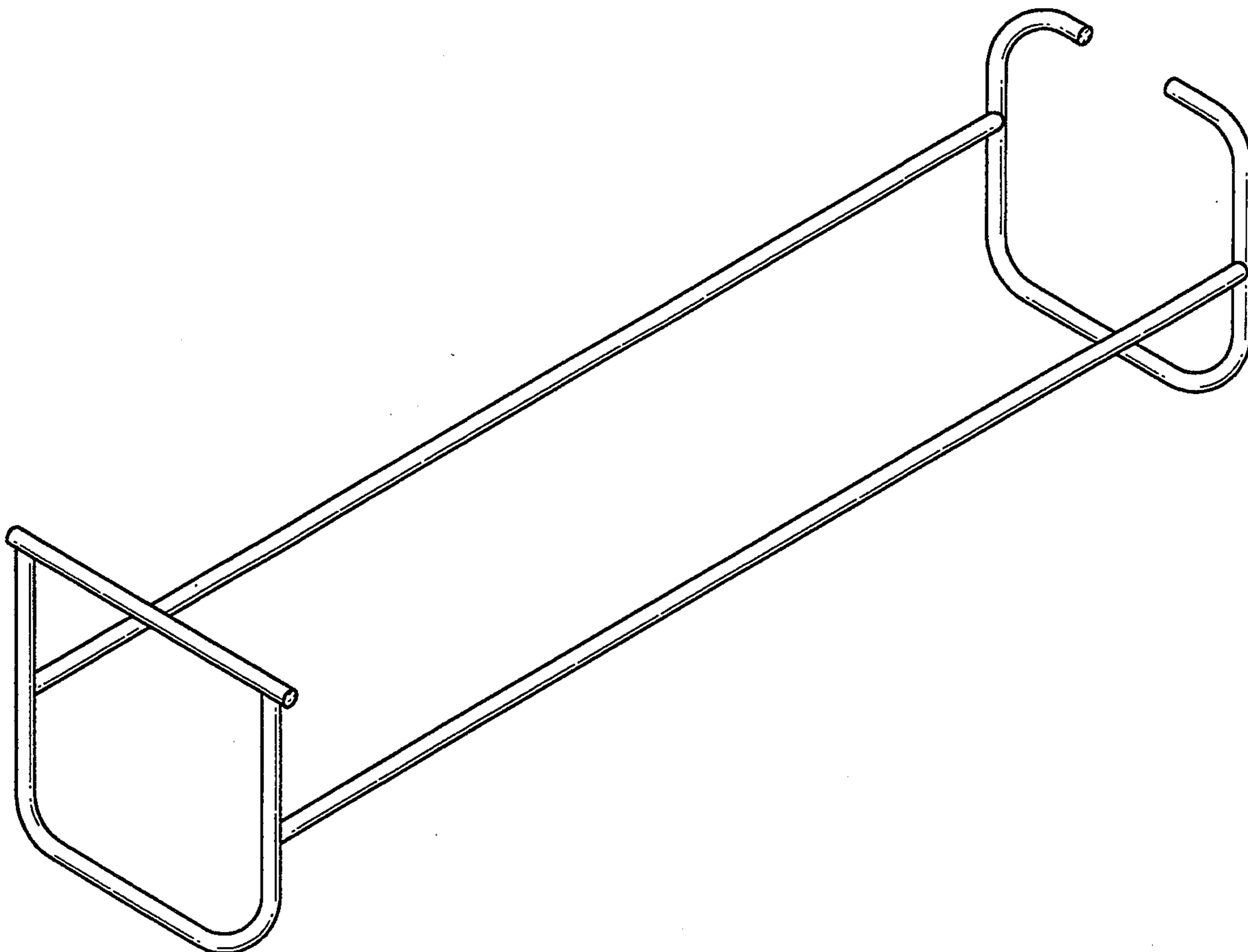
[57] **CLAIM**

The ornamental design for a frame for a physical exerciser, as shown and described.

DESCRIPTION

FIG. 1 is a top right perspective view of a frame for a physical exerciser showing my new design;
FIG. 2 is a right side elevational view, the left side elevational view being a mirror image thereof;
FIG. 3 is a top plan view;
FIG. 4 is a left end view;
FIG. 5 is a right end view; and,
FIG. 6 is a bottom plan view thereof.

[56] **References Cited**
U.S. PATENT DOCUMENTS
D. 216,721 3/1970 Sassenberg D21/191
D. 265,110 6/1982 Lafont D21/195
D. 265,575 7/1982 Lunford D21/191
D. 301,361 5/1989 Harlan D21/191
D. 320,824 10/1991 Cordon D21/191
3,920,240 11/1975 Ross 482/142



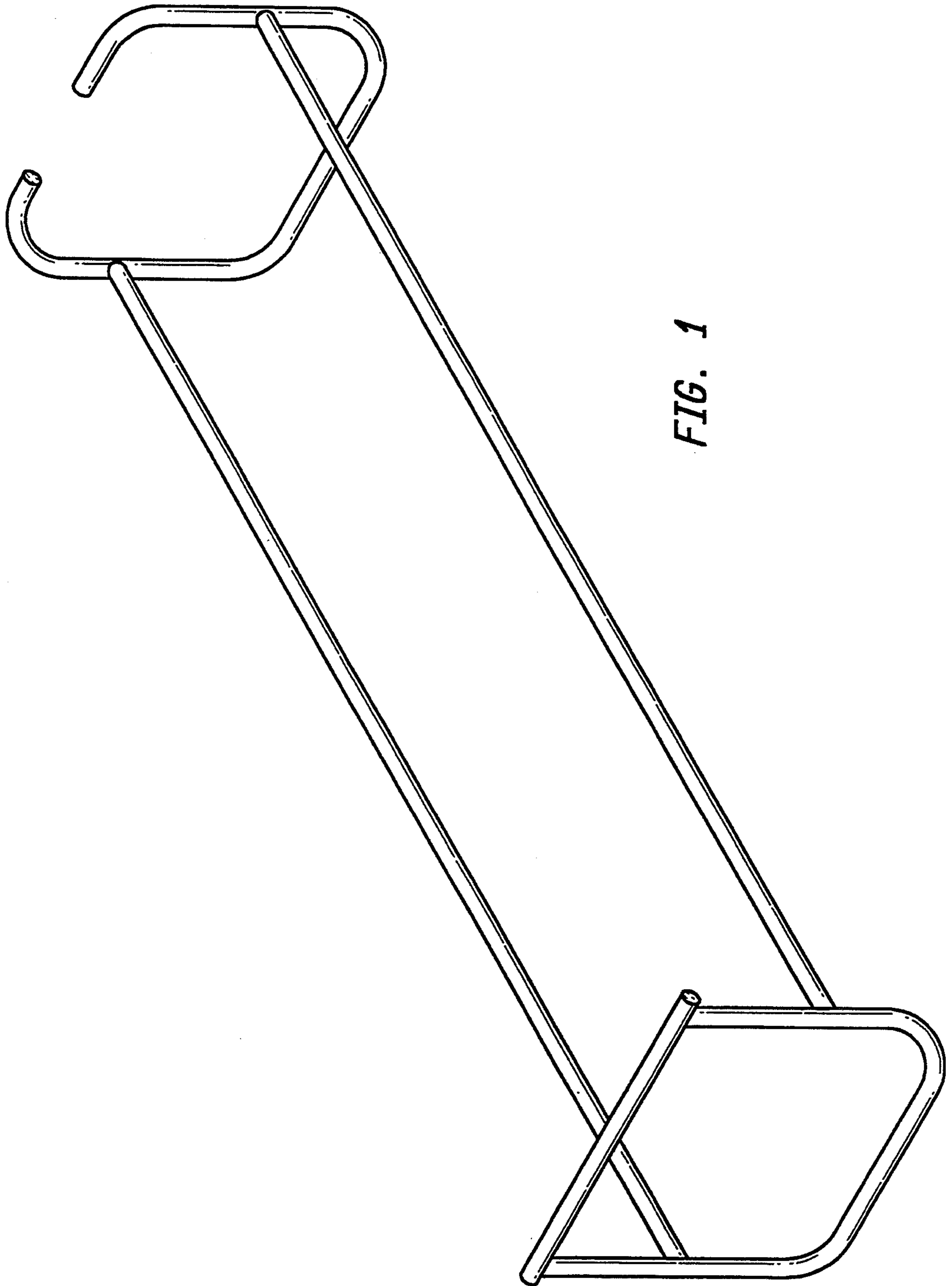


FIG. 1

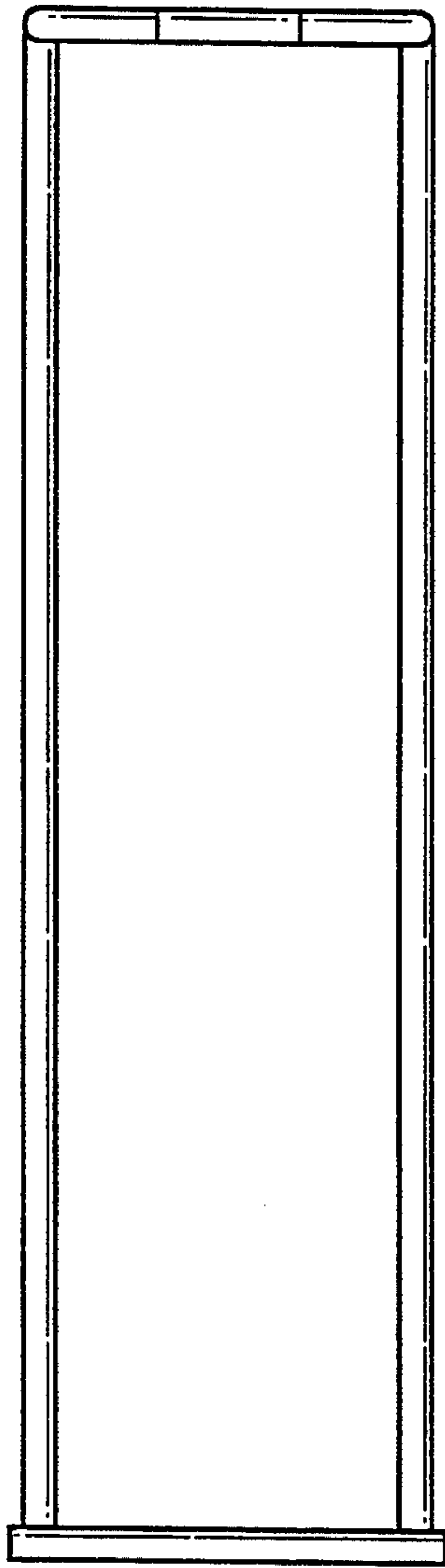


FIG. 3

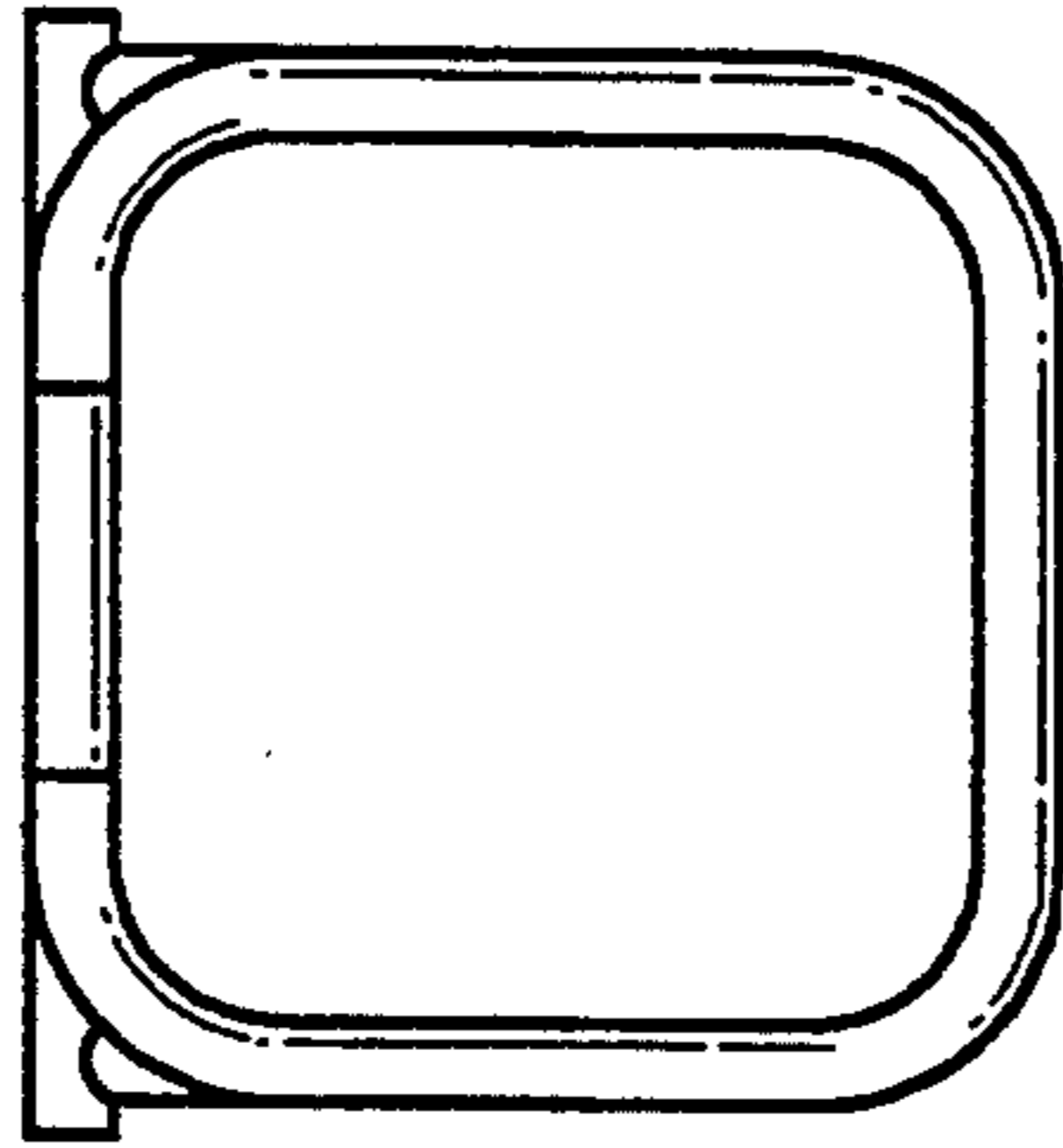


FIG. 5

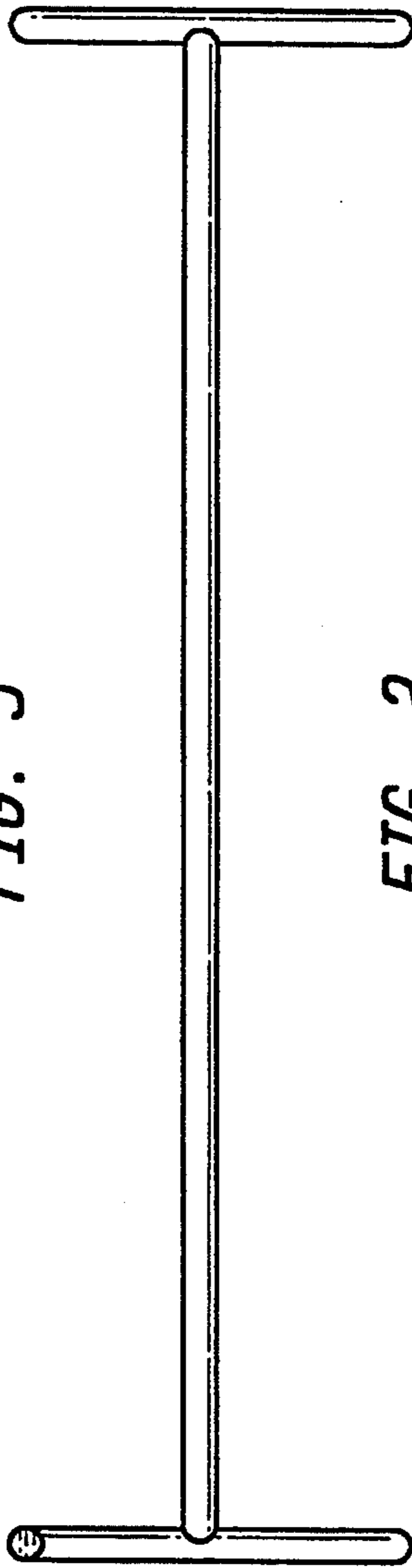


FIG. 2

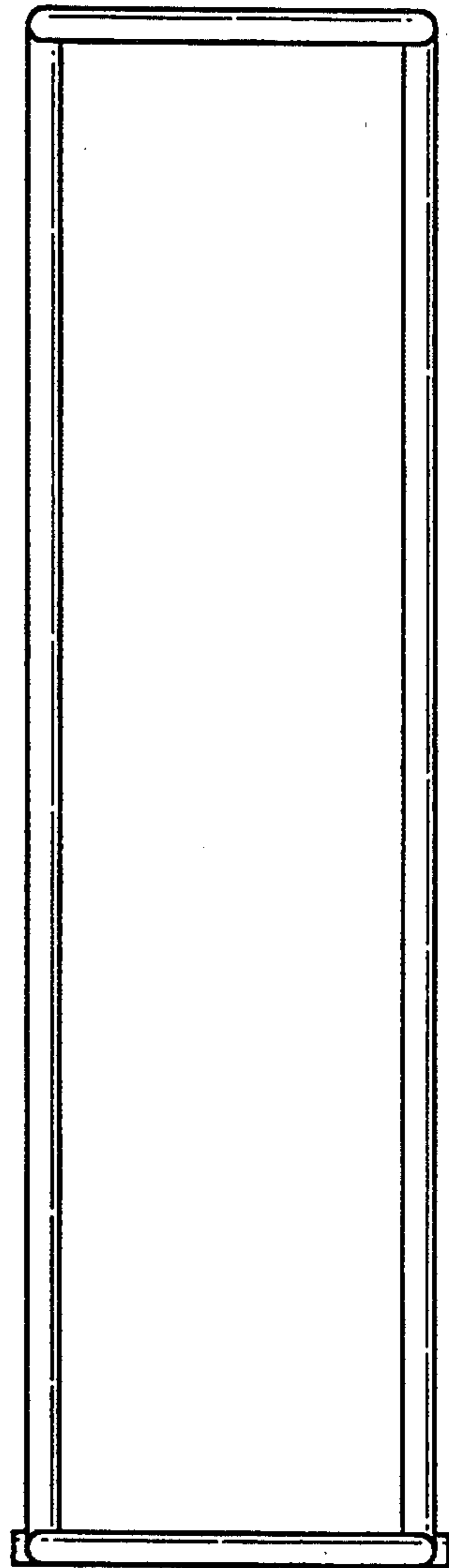


FIG. 4

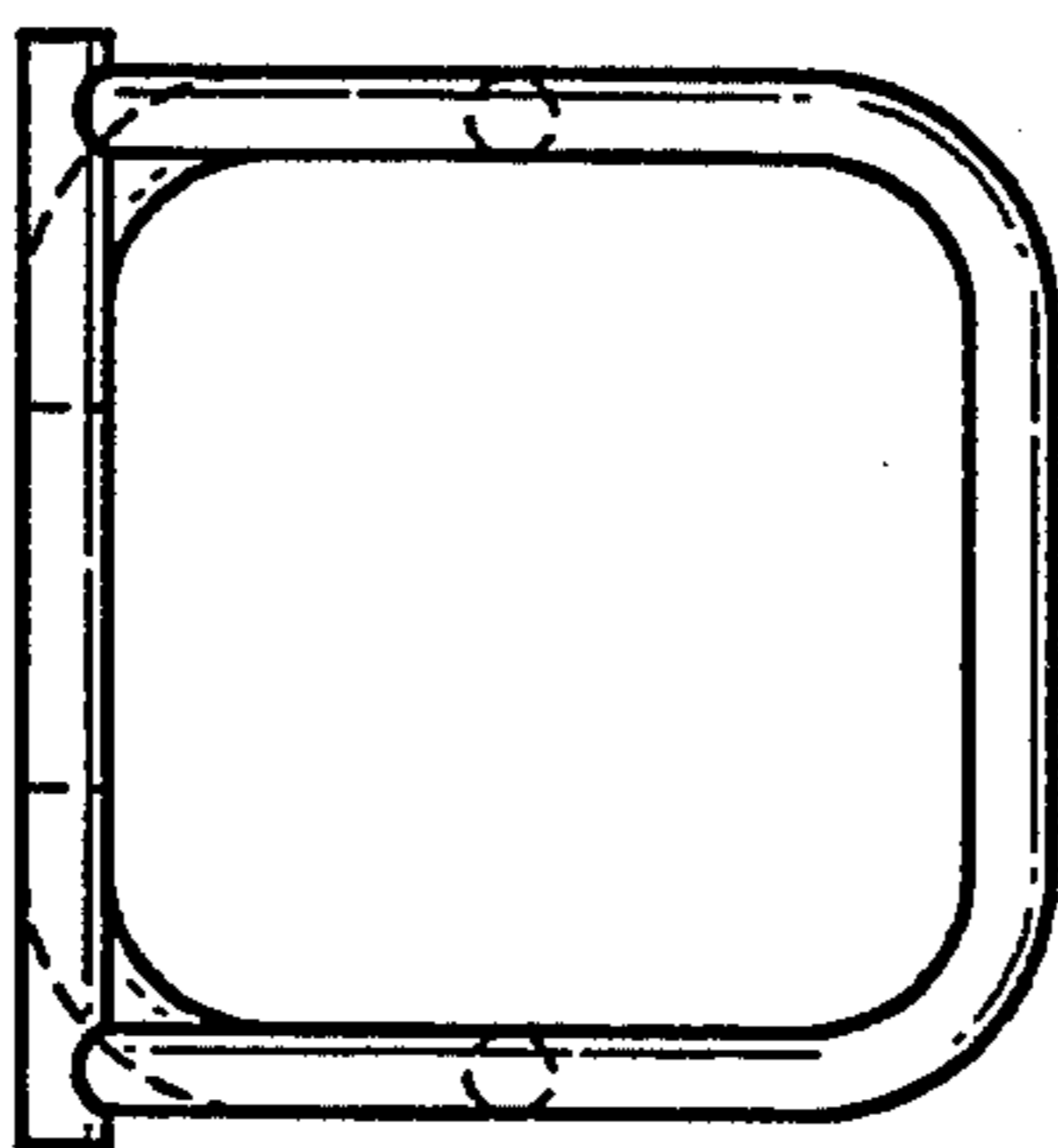


FIG. 6