



US00D354780S

# United States Patent [19]

Endelman

[11] Patent Number: **Des. 354,780**

[45] Date of Patent: **\*\* Jan. 24, 1995**

[54] **FRAME FOR A PHYSICAL EXERCISER**

[76] Inventor: **Ken Endelman, 7500 14th Ave., Suite 23, Sacramento, Calif. 95820-3539**

[\*\*] Term: **14 Years**

[21] Appl. No.: **8,526**

[22] Filed: **May 17, 1993**

[52] U.S. Cl. .... **D21/191**

[58] Field of Search ..... **D21/191, 192, 193, 194, D21/195; 482/142, 133, 92, 93, 94, 97, 98, 123, 51, 72, 130, 131**

3,976,058	8/1976	Tidwell .....	482/142
4,468,025	8/1984	Sferle .....	482/142
4,666,154	5/1987	Lipscomb et al. ....	482/142
4,818,018	4/1989	Yamasaki .....	482/142
4,960,277	10/1990	LaRossa et al. ....	482/142

*Primary Examiner*—Bernard Ansher  
*Assistant Examiner*—Philip Hyder  
*Attorney, Agent, or Firm*—Bielen, Peterson & Lampe

[57] **CLAIM**

The ornamental design for frame for a physical exerciser, as shown and described.

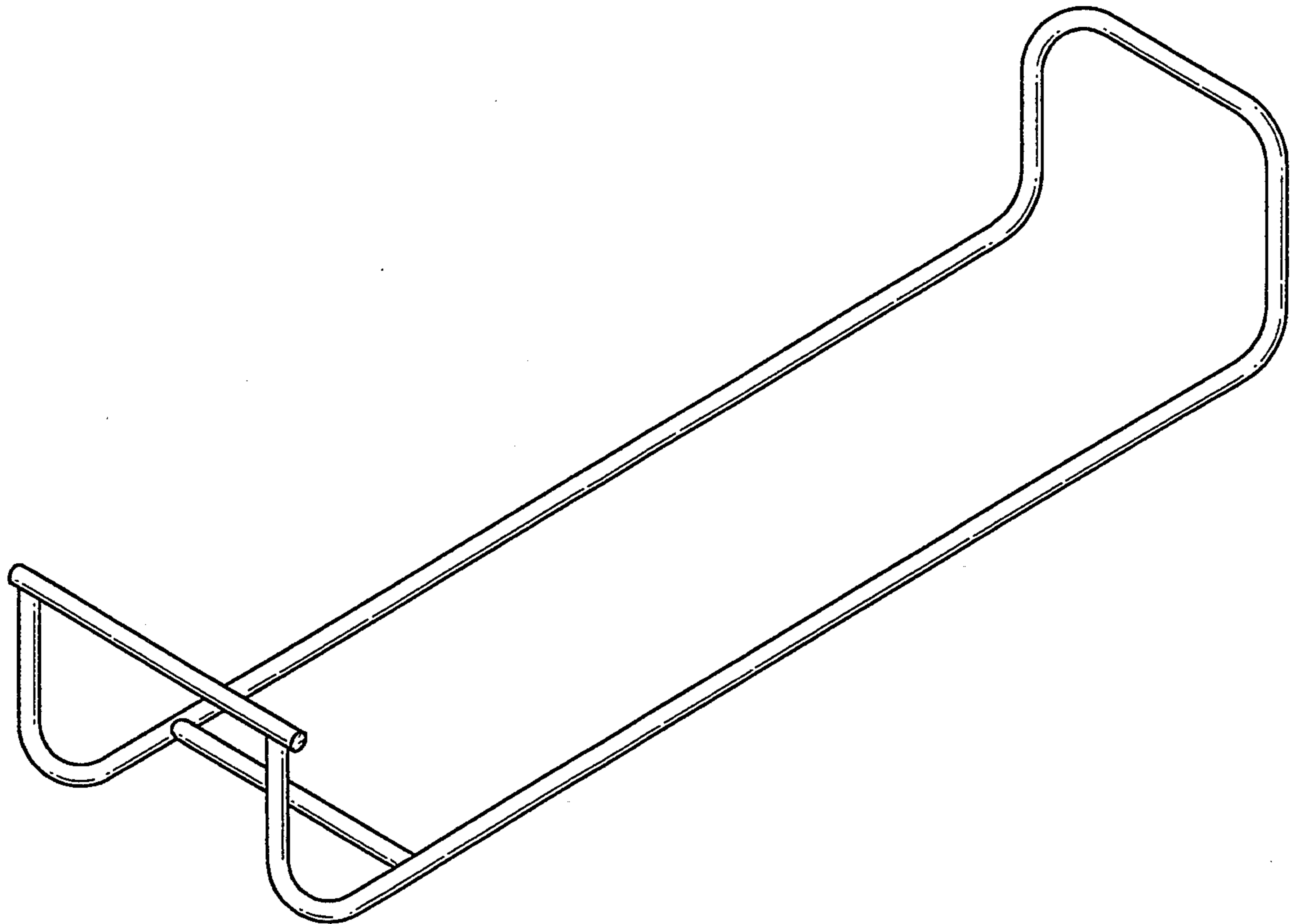
**DESCRIPTION**

FIG. 1 is a top right perspective view of a frame for a physical exerciser showing my new design;  
FIG. 2 is a right side elevational view, the left side elevational view being a mirror image thereof;  
FIG. 3 is a top plan view;  
FIG. 4 is a left end elevational view;  
FIG. 5 is a right end elevational view; and,  
FIG. 6 is a bottom plan view, thereof.

[56] **References Cited**

**U.S. PATENT DOCUMENTS**

D. 216,721	3/1970	Sassenberg .....	D21/191
D. 265,110	6/1982	Lafont .....	D21/195
D. 265,575	7/1982	Lunford .....	D21/191
D. 301,361	5/1989	Harlan .....	D21/191
D. 320,824	10/1991	Cordon .....	D21/191
3,920,240	11/1975	Ross .....	482/142



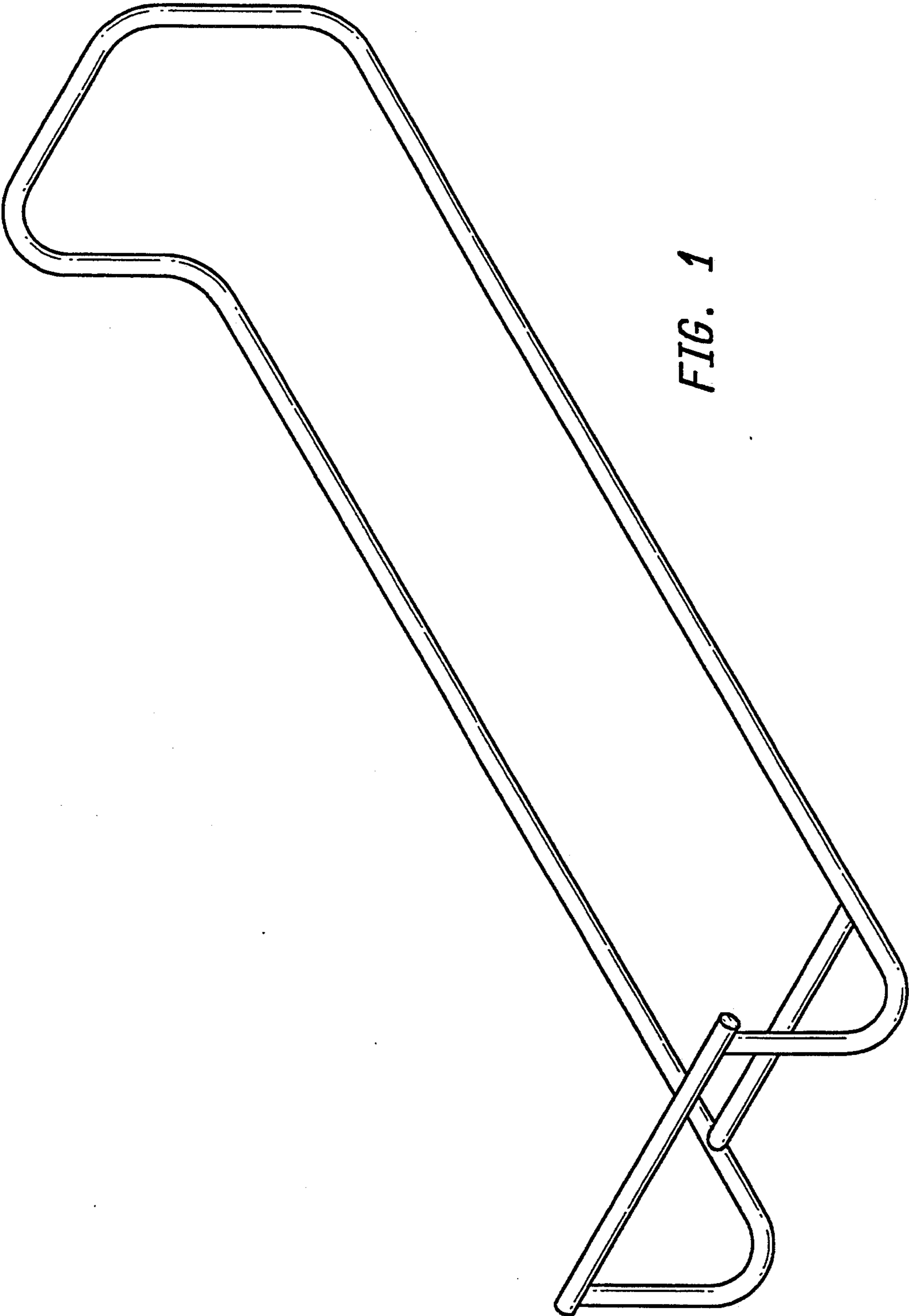


FIG. 1

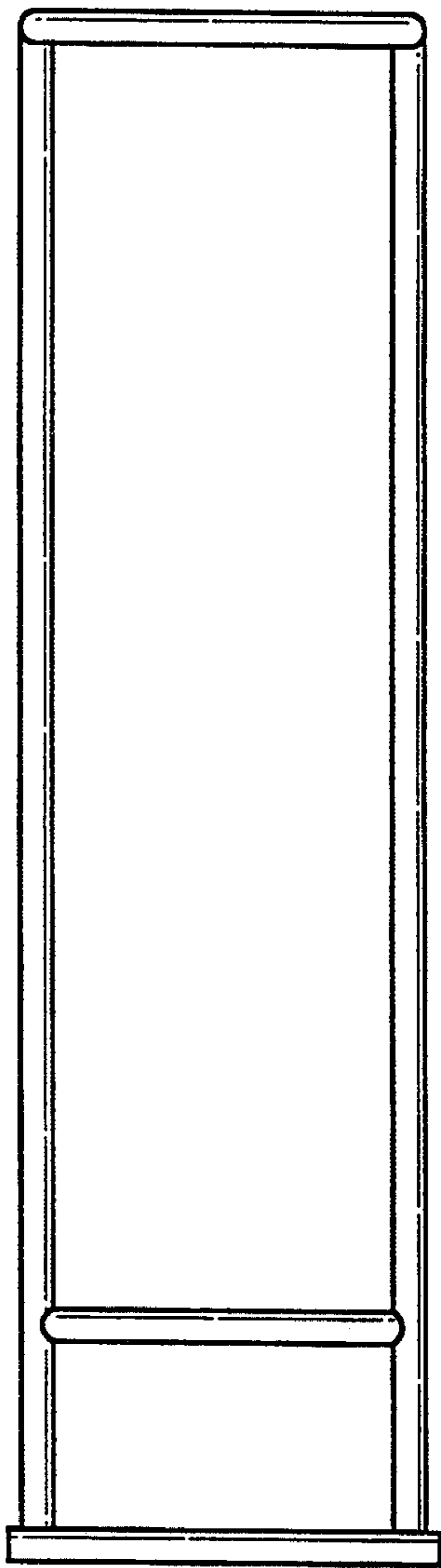


FIG. 3

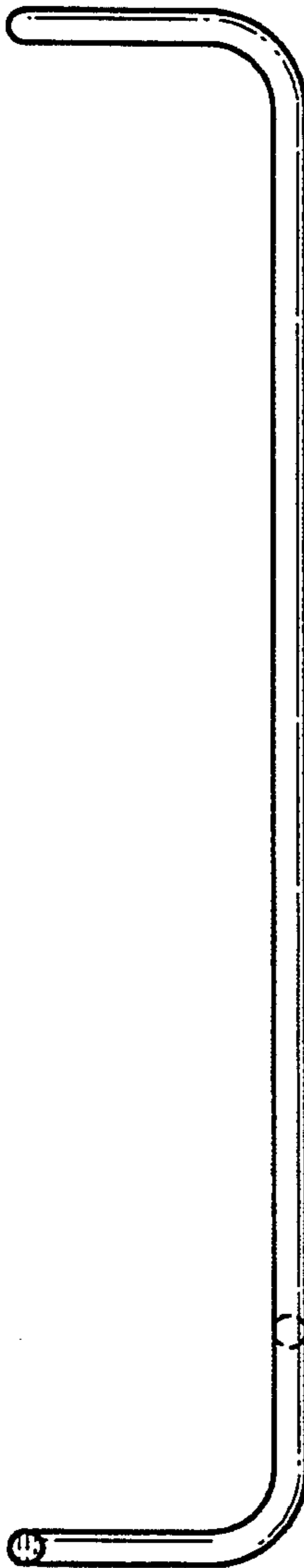


FIG. 2

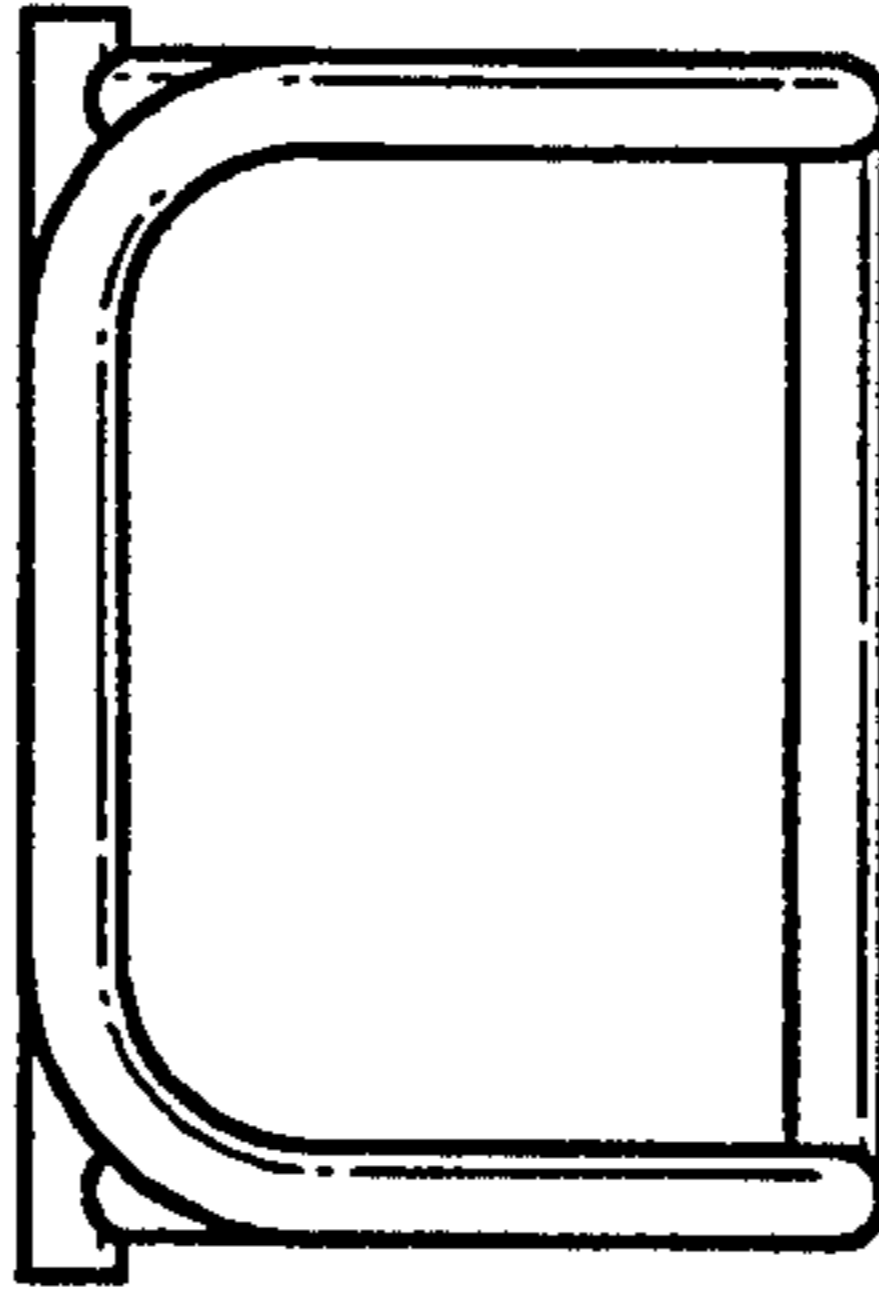


FIG. 5

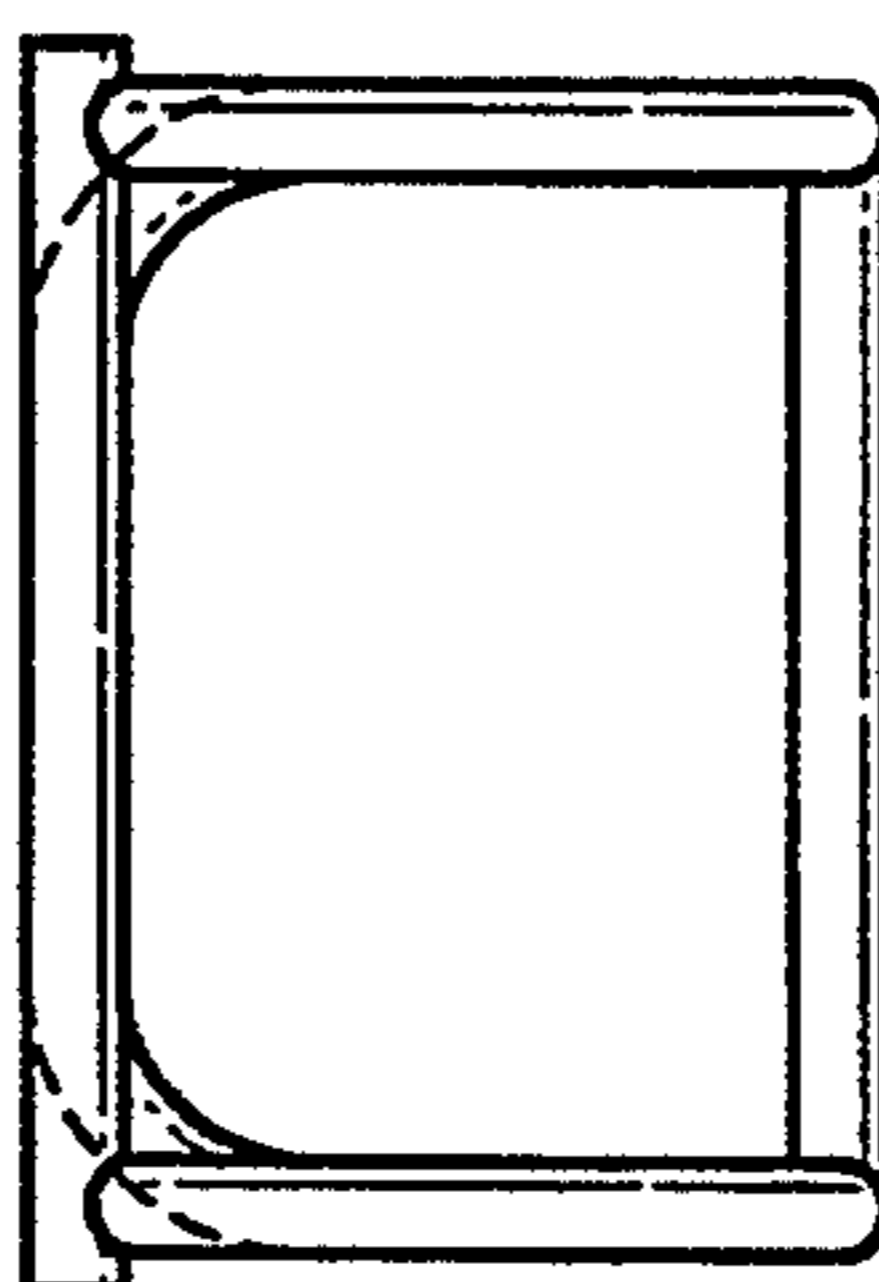


FIG. 4

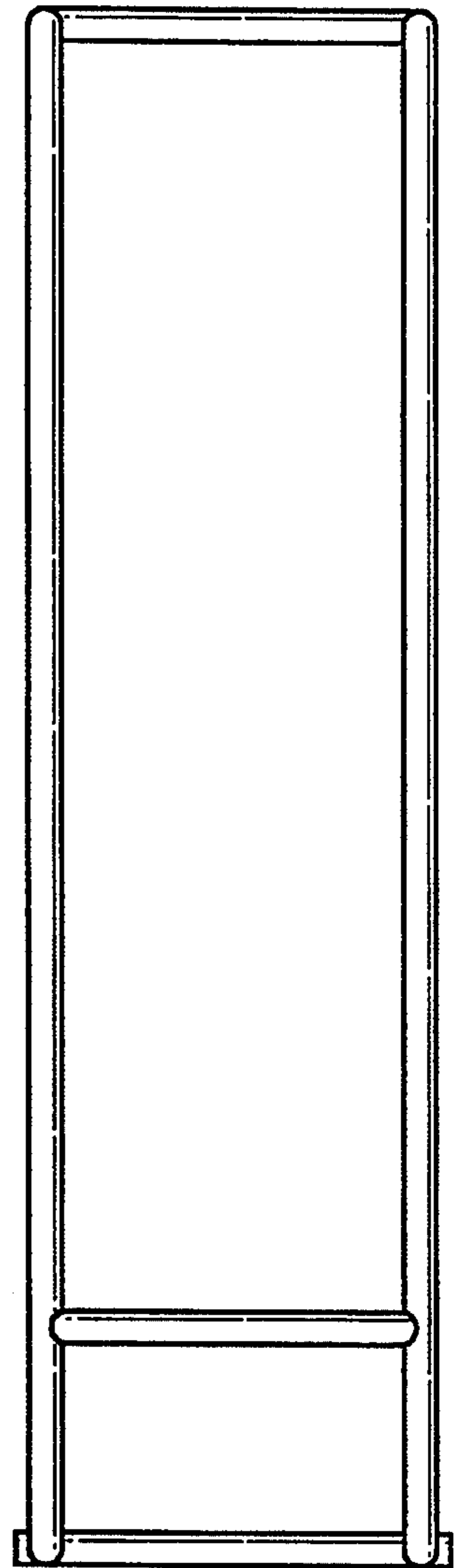


FIG. 6