



US00D354775S

# United States Patent [19]

[11] Patent Number: **Des. 354,775**

**Dobson**

[45] Date of Patent: **\*\* Jan. 24, 1995**

[54] **COMBINED COUPON HOLDER AND ADVERTISING DISPLAY FOR STORE SHELVING**

D. 334,216 3/1993 Bacon ..... D20/40  
2,981,018 4/1961 Hopp et al. .... D20/43

[75] Inventor: **David Dobson, Kitchener, Canada**

*Primary Examiner*—Wallace R. Burke  
*Assistant Examiner*—Marcus Jackson  
*Attorney, Agent, or Firm*—John S. Ferrell

[73] Assignee: **Strategium Media Inc., Rexdale, Canada**

[57] **CLAIM**

[\*\*] Term: **14 Years**

The ornamental design for a combined coupon holder and advertising display for store shelving, as shown and described.

[21] Appl. No.: **7,617**

[22] Filed: **Apr. 27, 1993**

**DESCRIPTION**

[52] U.S. Cl. .... **D20/42**

[58] Field of Search ..... **D20/10, 39, 40, 41, D20/42, 43, 44, 99; 40/1, 124, 124.1, 124.2, 124.4, 299, 641, 642, 644, 493, 494, 584**

FIG. 1 is a reduced perspective view of a combined coupon holder and advertising display for store shelving showing my new design;

FIG. 2 is a front elevational view thereof;

FIG. 3 is a left side elevational view thereof;

FIG. 4 is a rear elevational view thereof;

FIG. 5 is a right side elevational view thereof;

FIG. 6 is a top plan view thereof; and,

FIG. 7 is a bottom plan view thereof.

[56] **References Cited**

**U.S. PATENT DOCUMENTS**

D. 249,766 10/1978 Mann ..... D20/43  
D. 306,878 3/1990 Crowley ..... D20/43

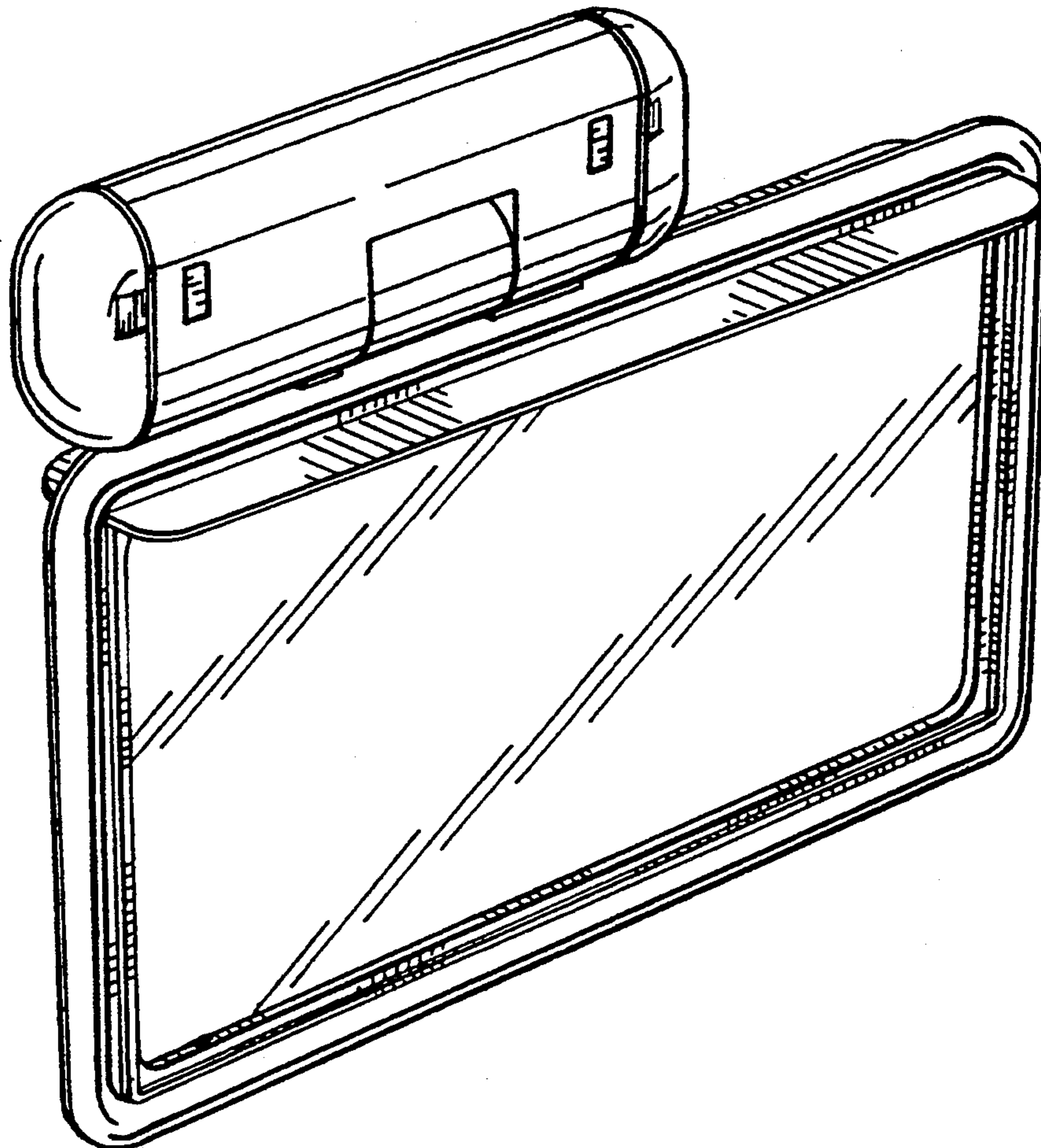
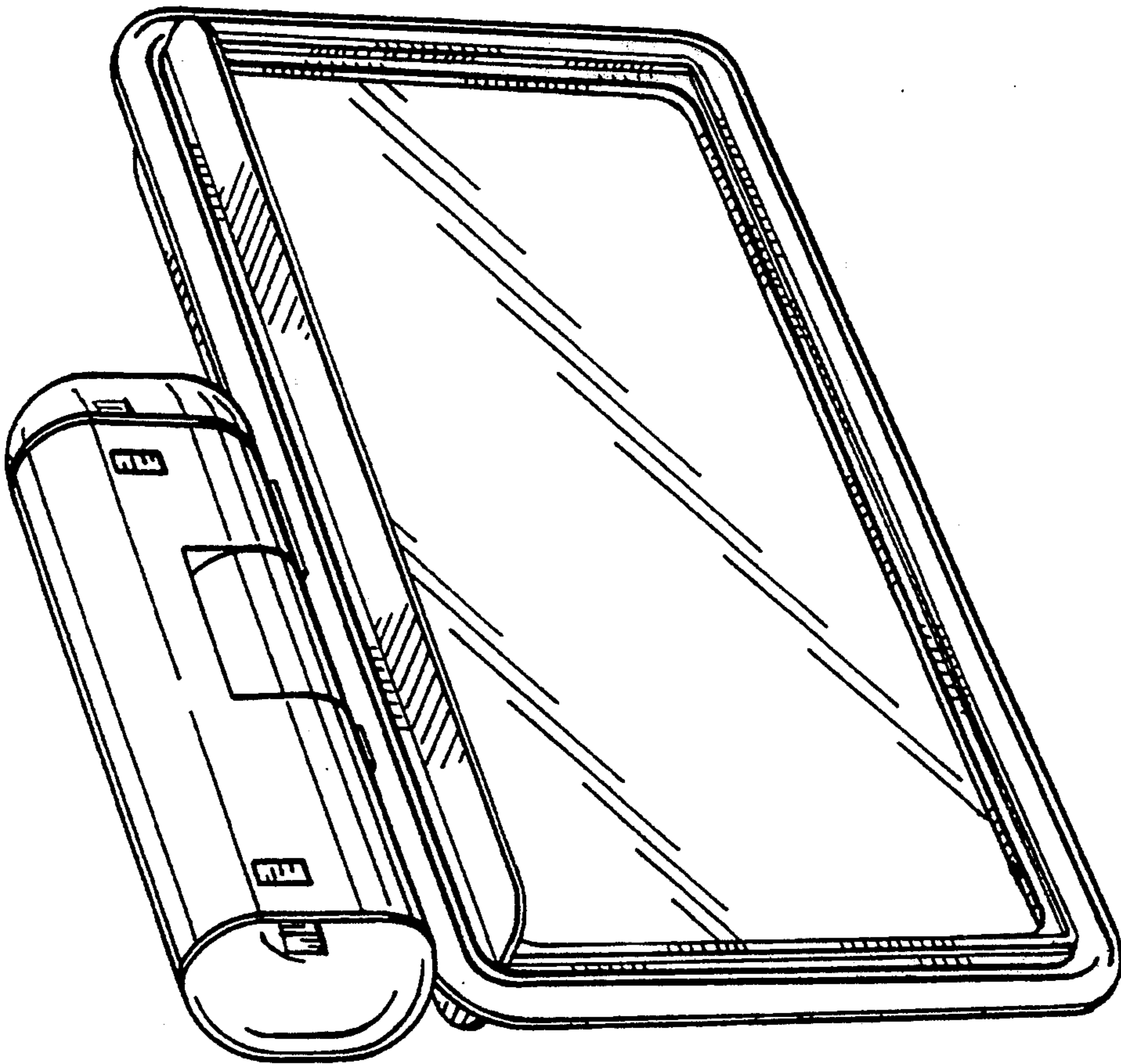


FIG. 1



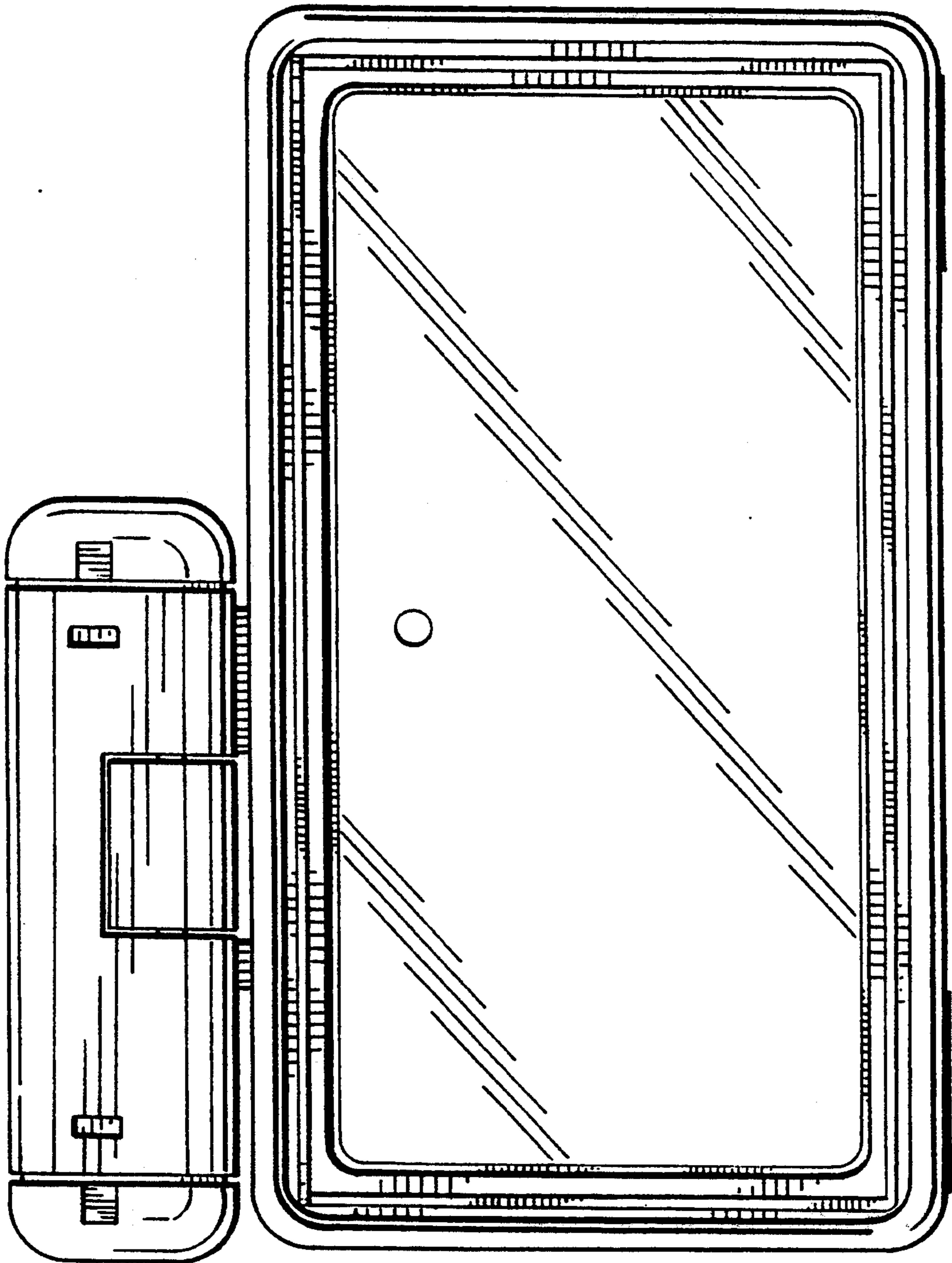


FIG. 2

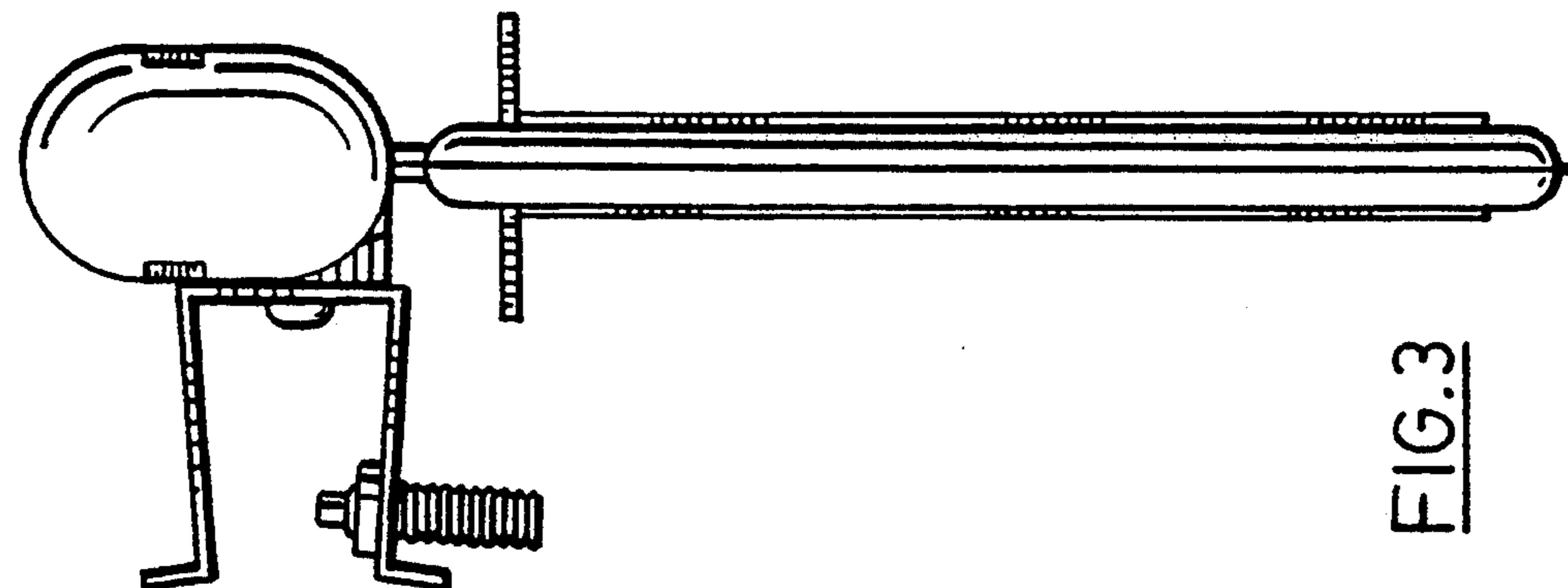


FIG. 3

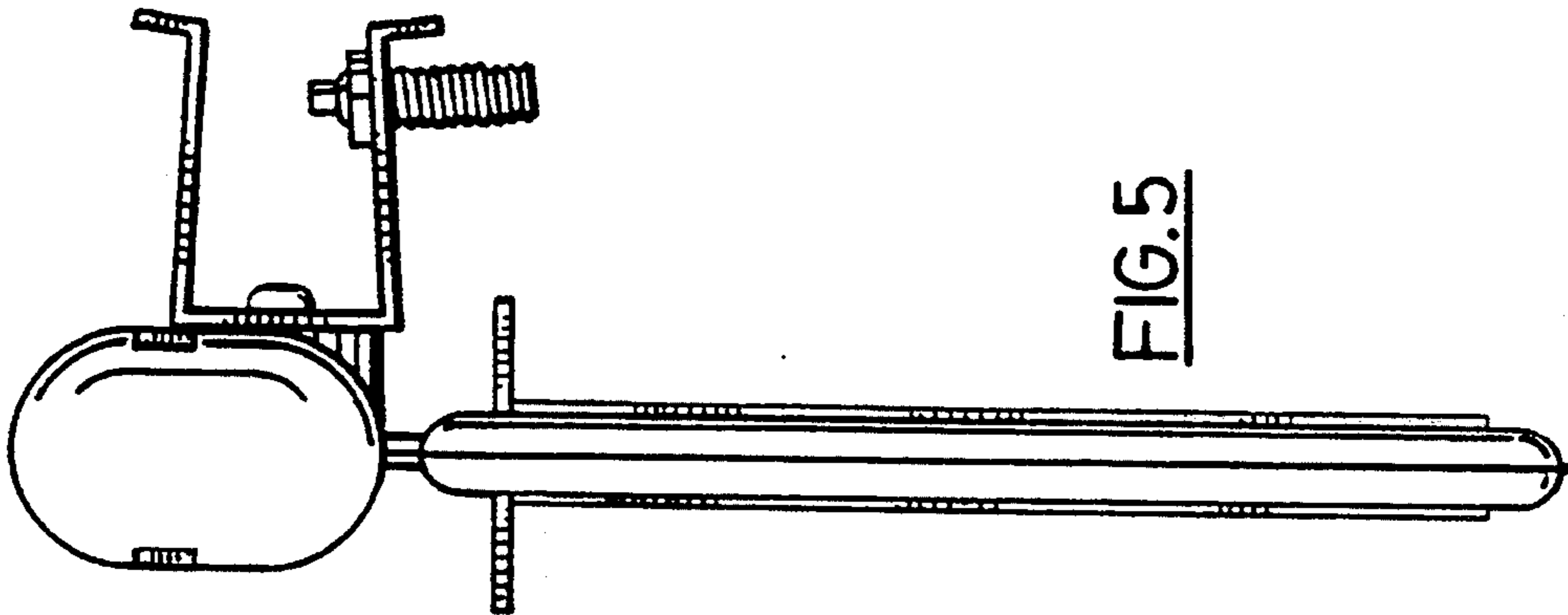


FIG. 5

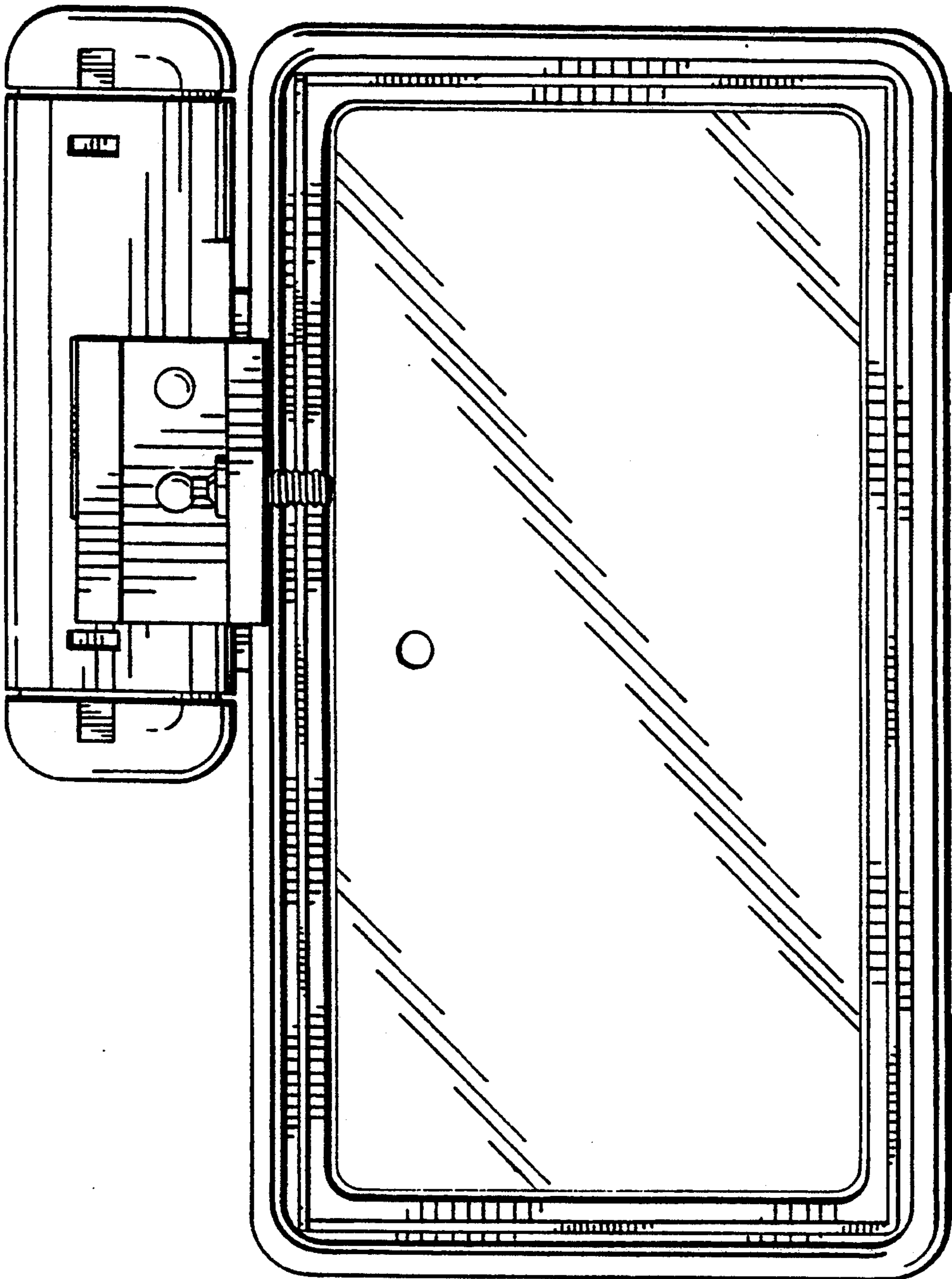


FIG. 4

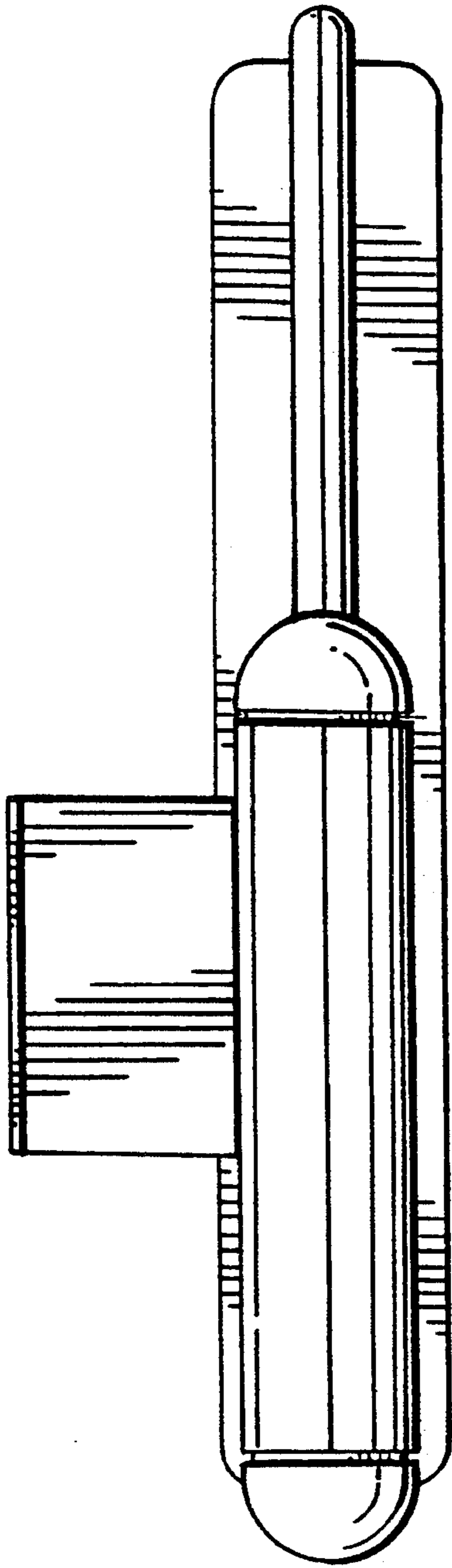


FIG. 6

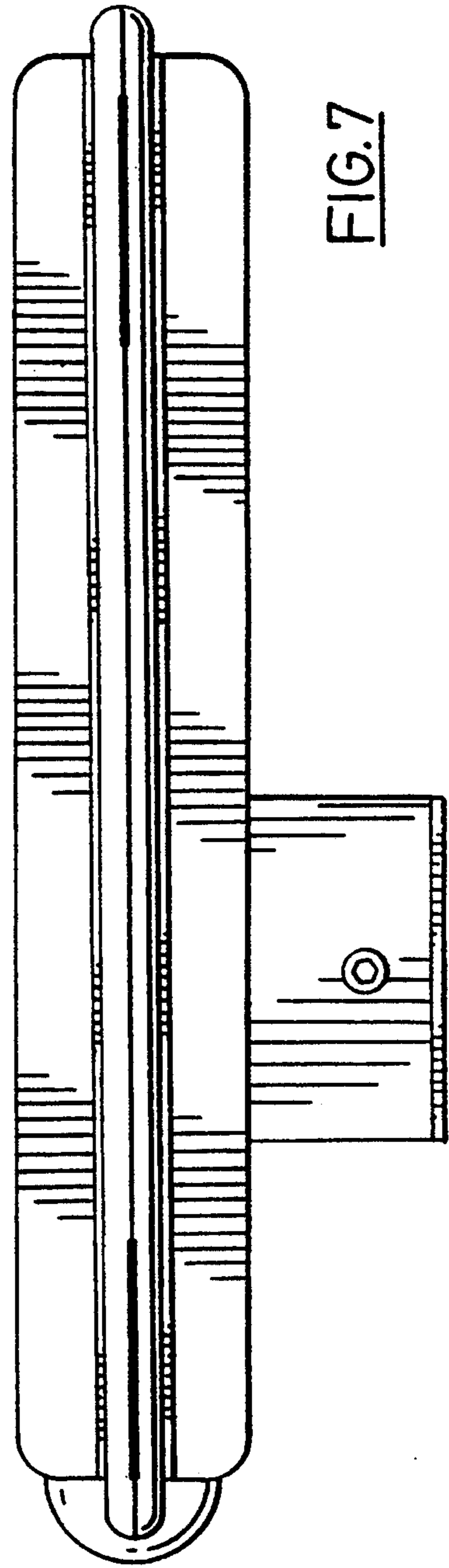


FIG. 7