



US00D354772S

United States Patent [19]

[11] Patent Number: **Des. 354,772**

Flickinger et al.

[45] Date of Patent: **** Jan. 24, 1995**

[54] **HANDHELD ELECTRONIC CLIPBOARD**

[75] Inventors: **Daniel Flickinger, San Francisco; Lynn C. Beckley, San Jose; John W. Lai, San Francisco, all of Calif.**

[73] Assignee: **Hewlett-Packard Company, Palo Alto, Calif.**

[**] Term: **14 Years**

[21] Appl. No.: **18,953**

[22] Filed: **Feb. 18, 1994**

[52] U.S. Cl. **D19/88; D19/90; D19/91; D10/2; D18/2**

[58] Field of Search **D18/2, 7; 364/706-710.02; D10/2; D19/65, 75, 78, 86, 88, 90, 91, 52; 248/441.1, 451, 452, 453; 40/341-349; 281/44, 45**

[56] **References Cited**

U.S. PATENT DOCUMENTS

- D. 218,720 9/1970 Shahan D19/88 X
- D. 240,621 7/1976 Houser D19/88
- D. 243,688 3/1977 Keyko et al. D19/88
- D. 284,678 7/1986 Shamoon D19/88

- D. 313,819 1/1991 Craft, Jr. et al. D19/91 X
- D. 329,061 9/1992 Szablak et al. D19/90 X
- D. 334,214 3/1993 Gonzales D19/90 X
- D. 341,626 11/1993 Rosmarin, Jr. et al. D18/2 X
- 5,180,133 1/1993 Chang 248/452

OTHER PUBLICATIONS

Hong Kong Enterprise, Nov. 1987, p. 133 see item #7695-BP-2-2, page center.

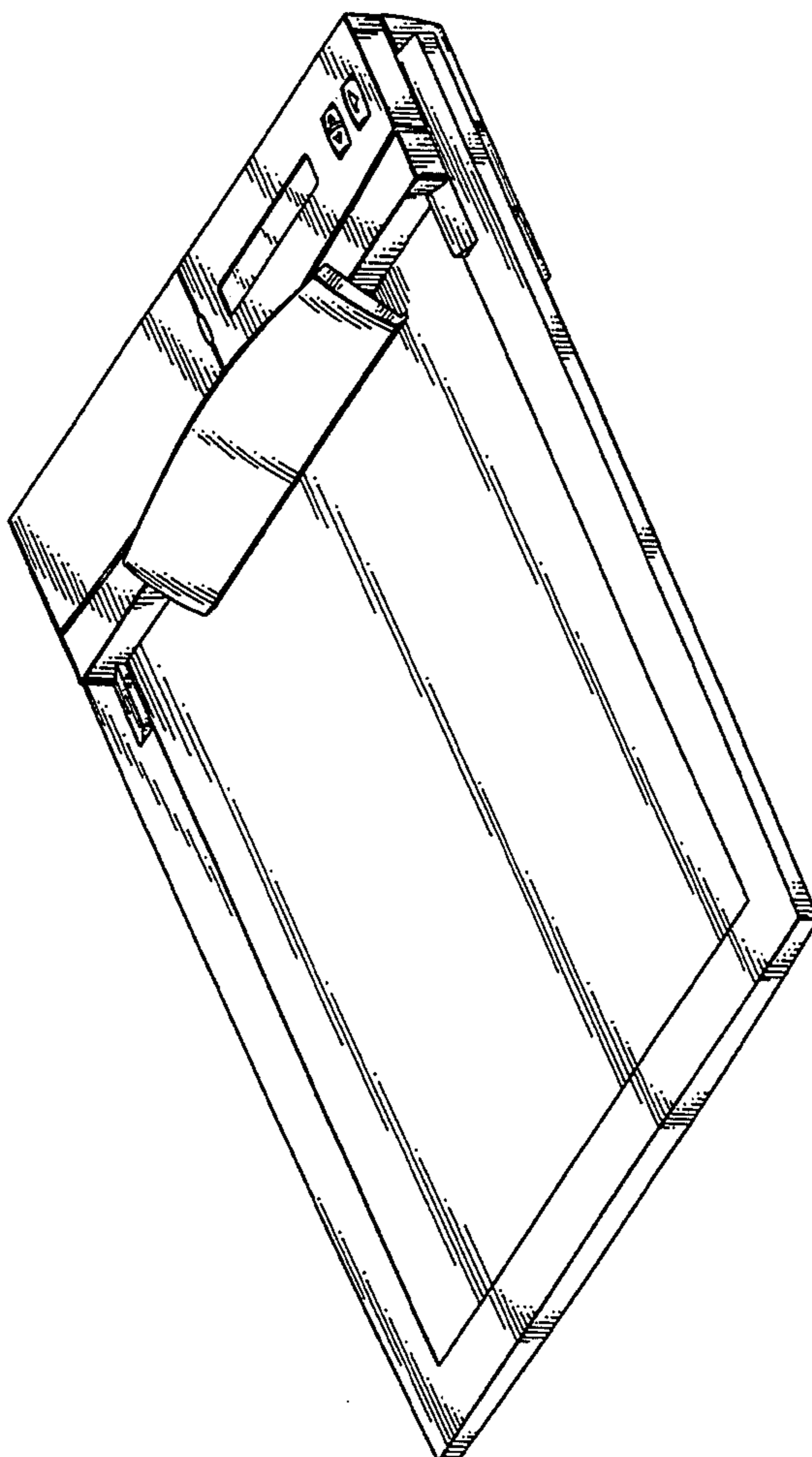
Primary Examiner—Martie Thompson
Attorney, Agent, or Firm—Peter P. Tong

[57] **CLAIM**

The ornamental design for a handheld electronic clipboard, as shown and described.

DESCRIPTION

FIG. 1 is a rear view of a handheld electronic clipboard, showing our new design;
 FIG. 2 is a front view thereof;
 FIG. 3 is a left side view thereof;
 FIG. 4 is a right side view thereof;
 FIG. 5 is a top view thereof;
 FIG. 6 is a bottom view thereof; and,
 FIG. 7 is a top, right side and rear side perspective view thereof.



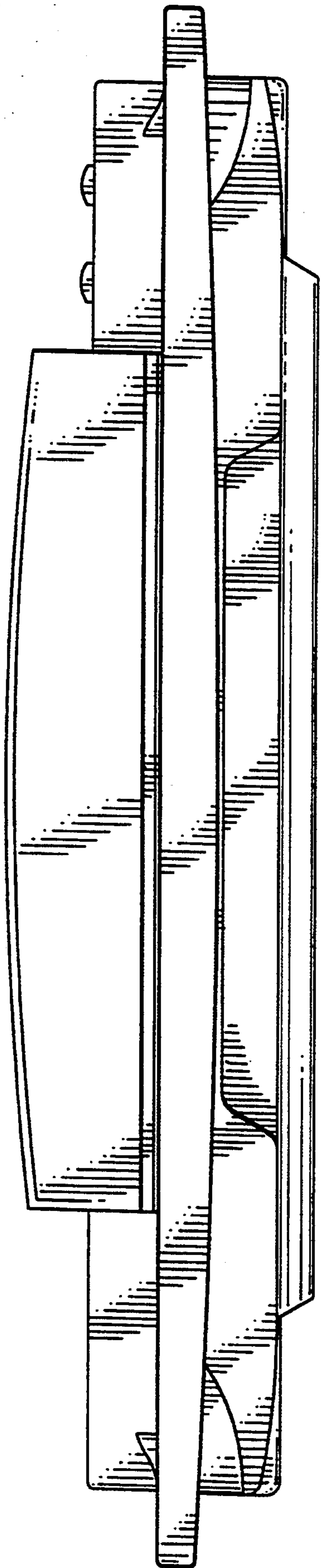


FIG. 1

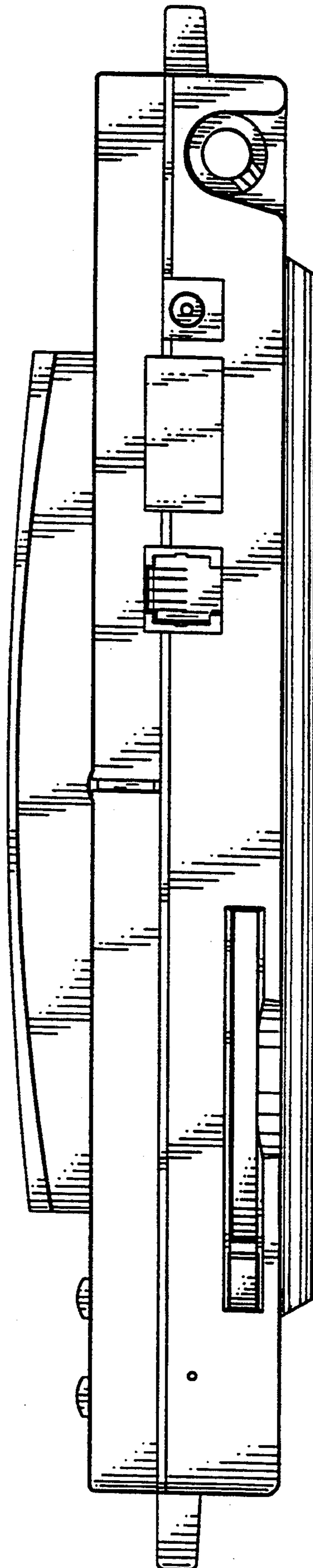


FIG. 2

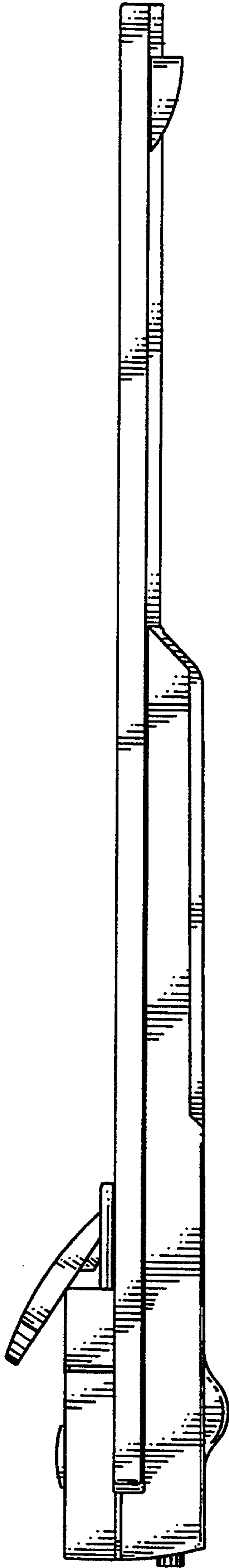


FIG. 3

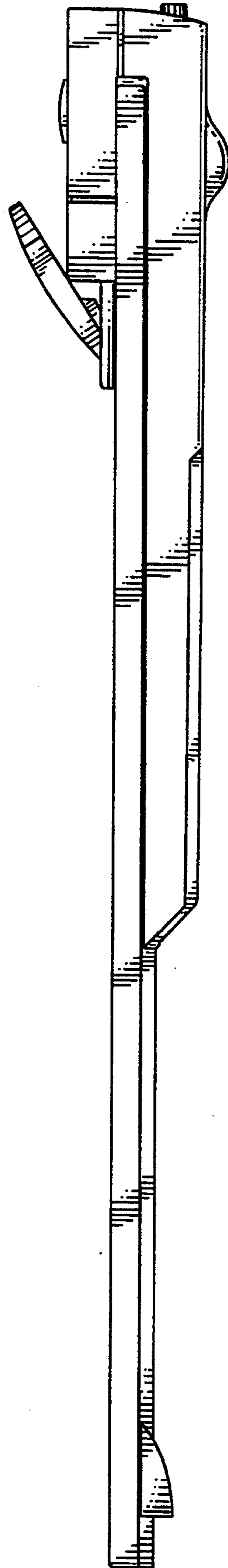


FIG. 4

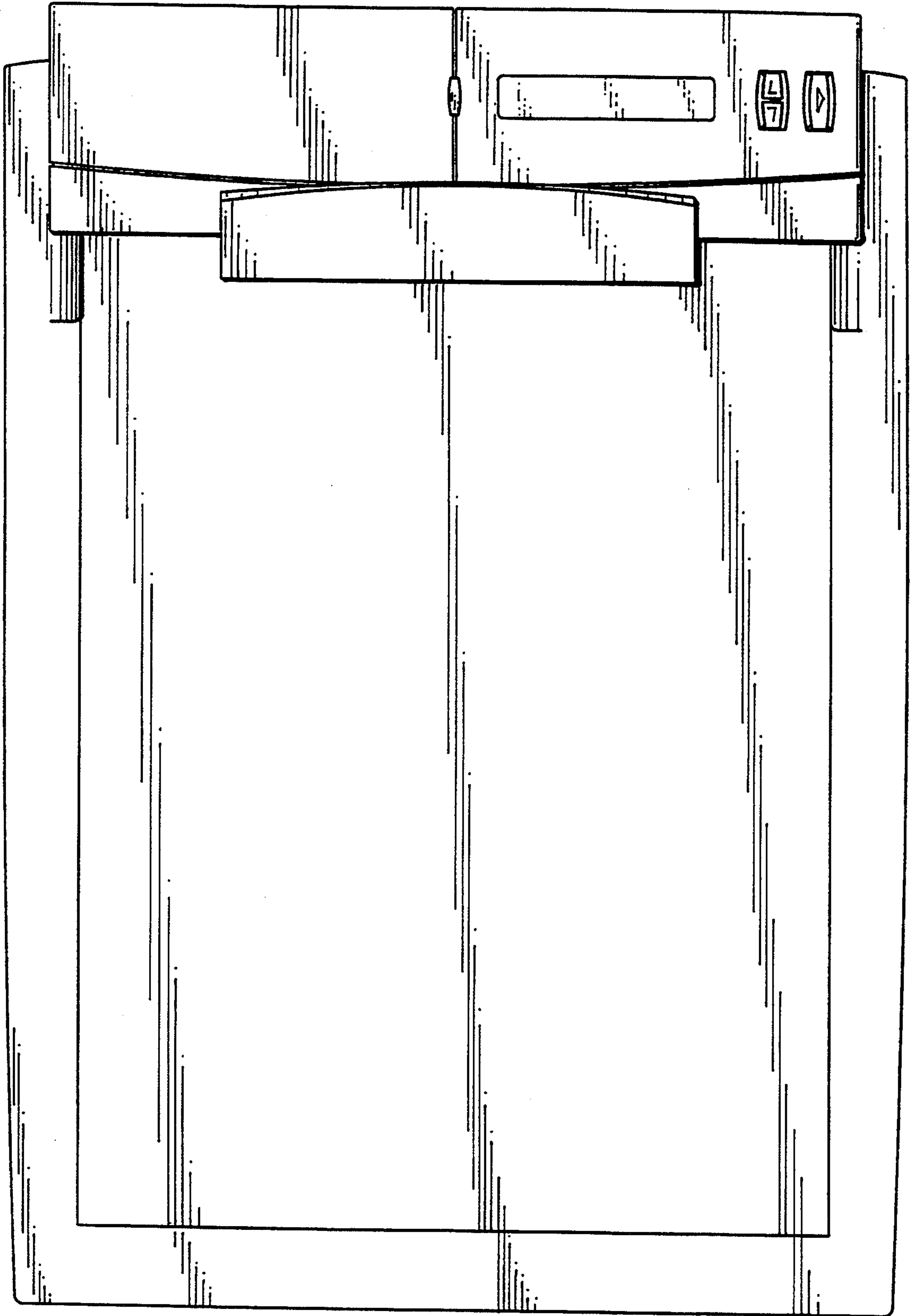


FIG. 5

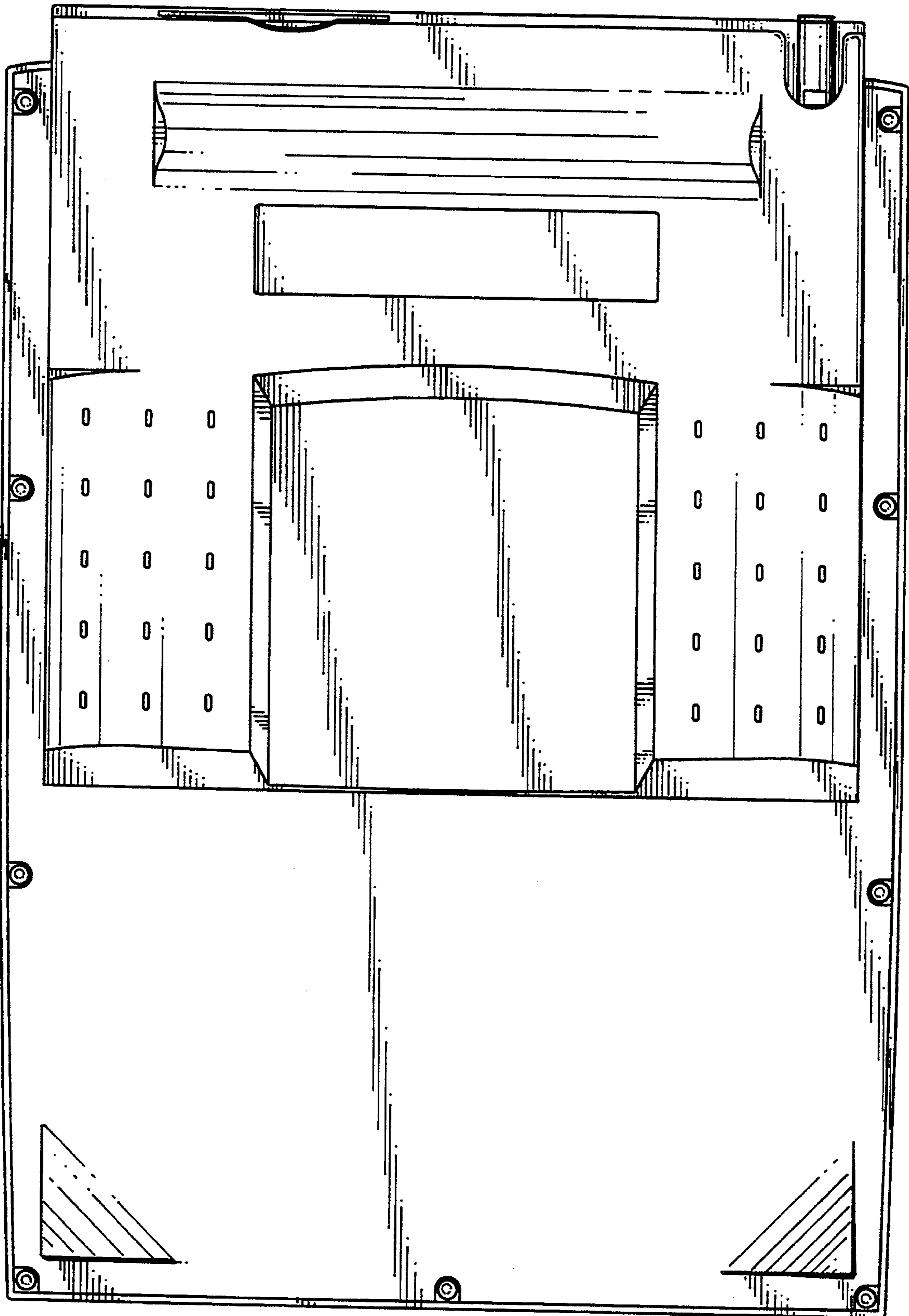


FIG. 6

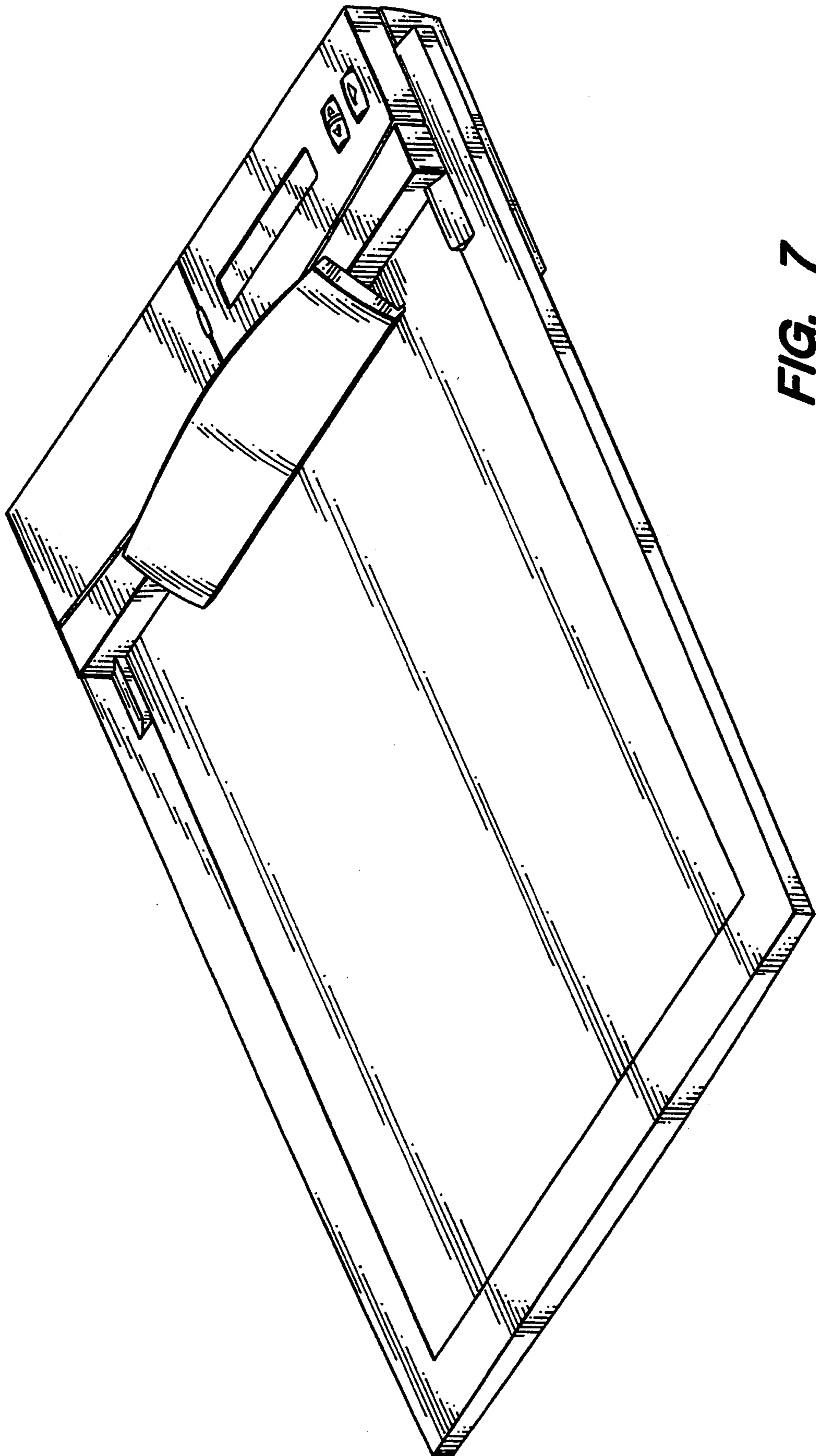


FIG. 7