



US00D354770S

United States Patent [19]

[11] Patent Number: **Des. 354,770**

Bedol

[45] Date of Patent: **** Jan. 24, 1995**

[54] **HOLE PUNCH FOR A RING-BINDER**

4,729,688 3/1988 Manz 402/1
5,340,229 8/1994 Schwartzmann 402/4

[76] Inventor: **Mark A. Bedol**, P.O. Box 2847,
Rancho Cucamonga, Calif.
91729-2847

Primary Examiner—Alan P. Douglas
Assistant Examiner—Antoine D. Davis

[**] Term: **14 Years**

[57] **CLAIM**

[21] Appl. No.: **18,450**

The ornamental design for a hole punch for a ring-binder, as shown.

[22] Filed: **Feb. 7, 1994**

DESCRIPTION

[52] U.S. Cl. **D19/72; D19/32;
D15/128; D10/64**

[58] Field of Search **D15/128; D10/64;
D19/72, 32; 83/620; 402/1-4**

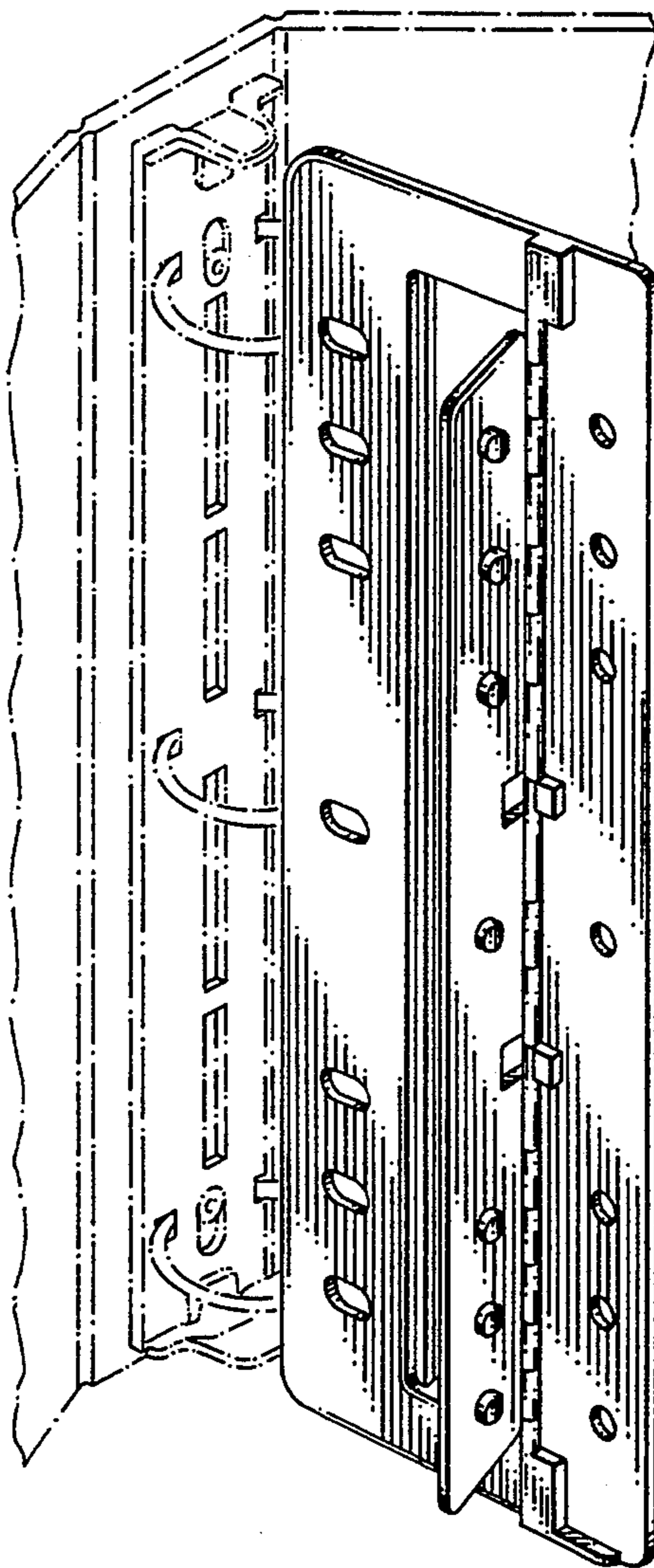
FIG. 1 is a front, right, top perspective view of a hole punch for a ring-binder, showing my new design; FIG. 2 is a rear elevation view thereof; FIG. 3 is a right side elevational view thereof; FIG. 4 is a left side elevational view thereof; FIG. 5 is a top plan view thereof; and, FIG. 6 is a bottom plan view thereof.

[56] **References Cited**

U.S. PATENT DOCUMENTS

D. 222,788 12/1971 Hicok D15/128
D. 261,008 9/1981 Mizejewski D19/32
D. 303,812 10/1989 Sun D19/72
3,944,373 3/1976 Farjon et al. D19/72 X

The broken lines showing of a 3-ring loose leaf binder in FIG. 1, FIG. 5 and FIG. 6 is for illustrative and environment purposes only and forms no part of the claimed design.



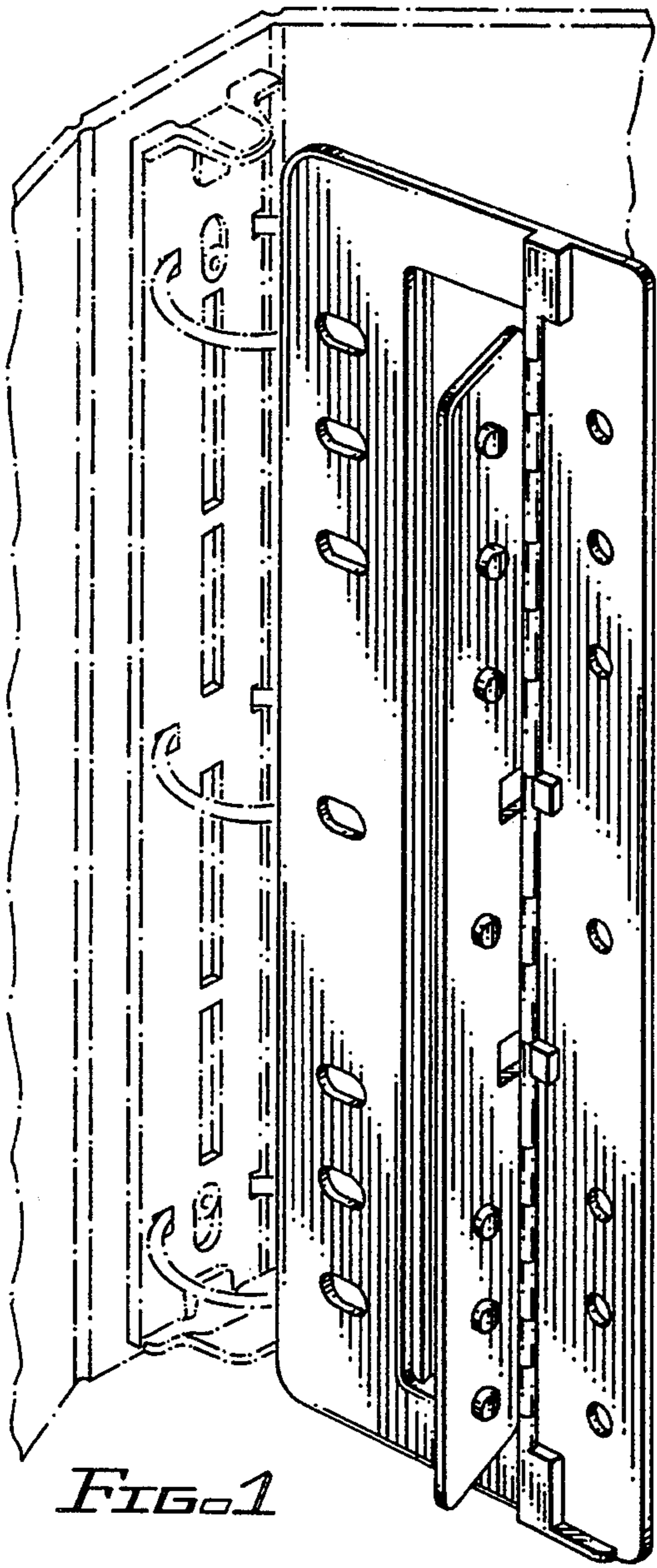


FIG. 1

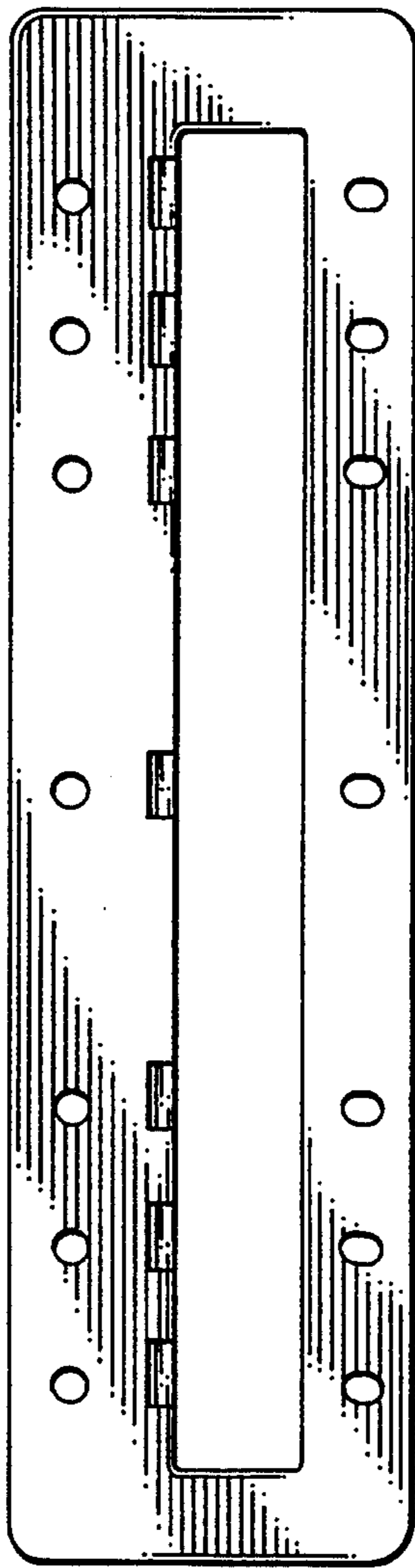


FIG. 2

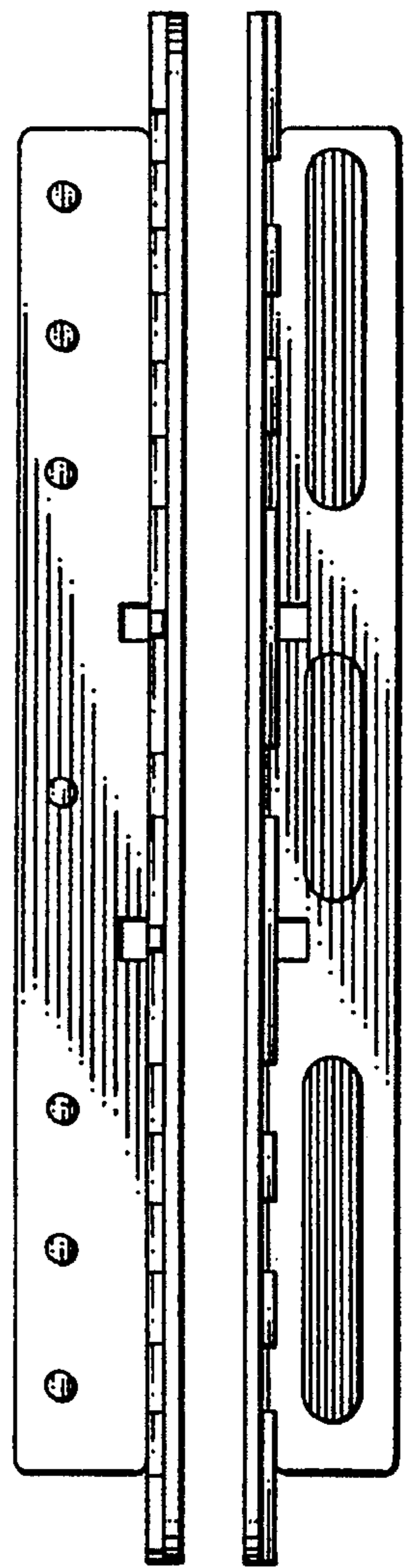


FIG. 3

FIG. 4

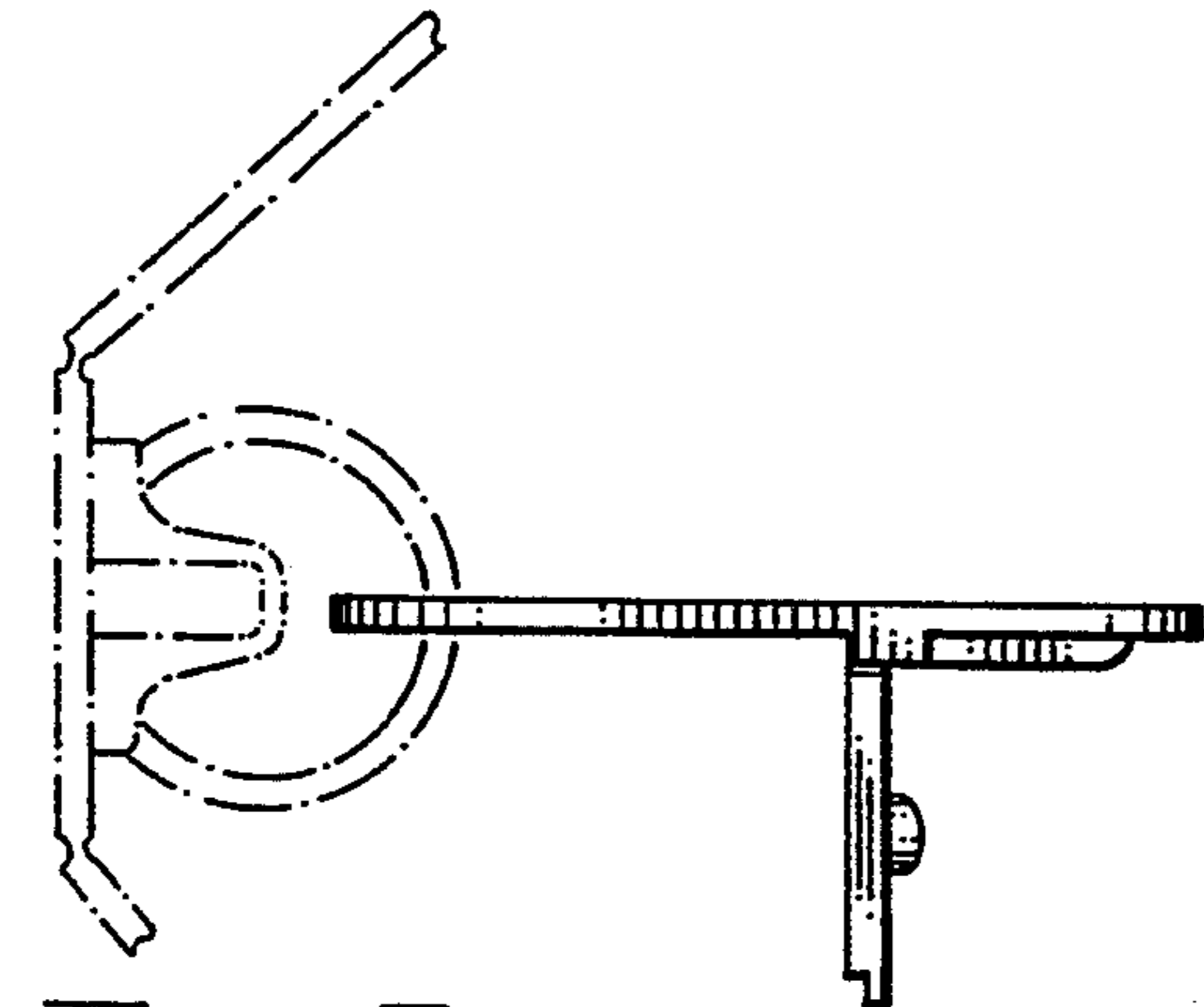


FIG. 5

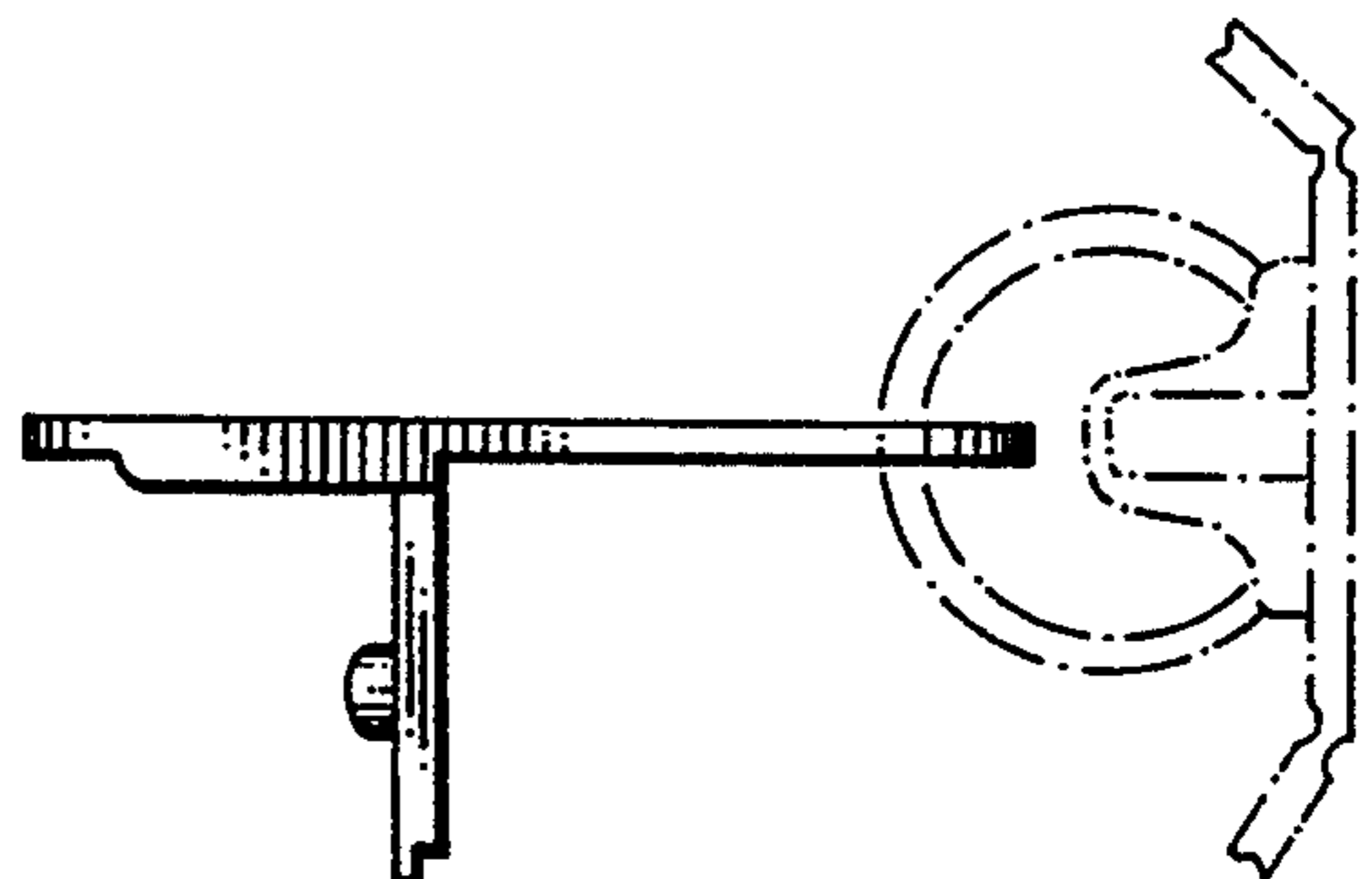


FIG. 6