



US00D354766S

**United States Patent** [19]  
**Meister, Jr.**

[11] **Patent Number: Des. 354,766**

[45] **Date of Patent: \*\* Jan. 24, 1995**

[54] **INSERTER MACHINE**  
[75] **Inventor: Herbert E. Meister, Jr., Naugatuck, Conn.**  
[73] **Assignee: Pitney Bowes Inc., Stamford, Conn.**  
[\*\*] **Term: 14 Years**  
[21] **Appl. No.: 12,304**  
[22] **Filed: Aug. 27, 1993**  
[52] **U.S. Cl. .... D18/99**  
[58] **Field of Search ..... D10/97; D15/145, 147, D15/199; D18/46, 47, 48, 49, 99; D34/29; 209/584, 900; 364/464.01, 464.02, 464.03, 918.52, DIG. 18, 2; 395/600; 177/25.15, 438-440**

D. 309,617 7/1990 Bain ..... D15/199  
4,876,956 10/1989 Riley et al. .... 364/464.02 X  
4,956,782 9/1990 Freeman et al. .... 364/464.02 X  
5,122,962 6/1992 Gilham ..... 364/464.02  
5,233,532 8/1993 Ramsden ..... 364/464.02 X

*Primary Examiner*—Alan P. Douglas  
*Assistant Examiner*—Antoine D. Davis  
*Attorney, Agent, or Firm*—Charles R. Malandra, Jr.;  
Melvin J. Scolnick

[57] **CLAIM**

The ornamental design for a inserter machine, as shown and described.

**DESCRIPTION**

FIG. 1 is a top, front and left side perspective view of a inserter machine showing my new design;  
FIG. 2 is a top plan view thereof;  
FIG. 3 is a left elevational view thereof;  
FIG. 4 is a front side elevational view thereof;  
FIG. 5 is a rear side elevational view thereof; and,  
FIG. 6 is a right side elevational view thereof.

[56] **References Cited**  
**U.S. PATENT DOCUMENTS**  
D. 243,712 3/1977 Morris et al. .... D15/145 X  
D. 309,472 7/1990 Nishida ..... D18/99

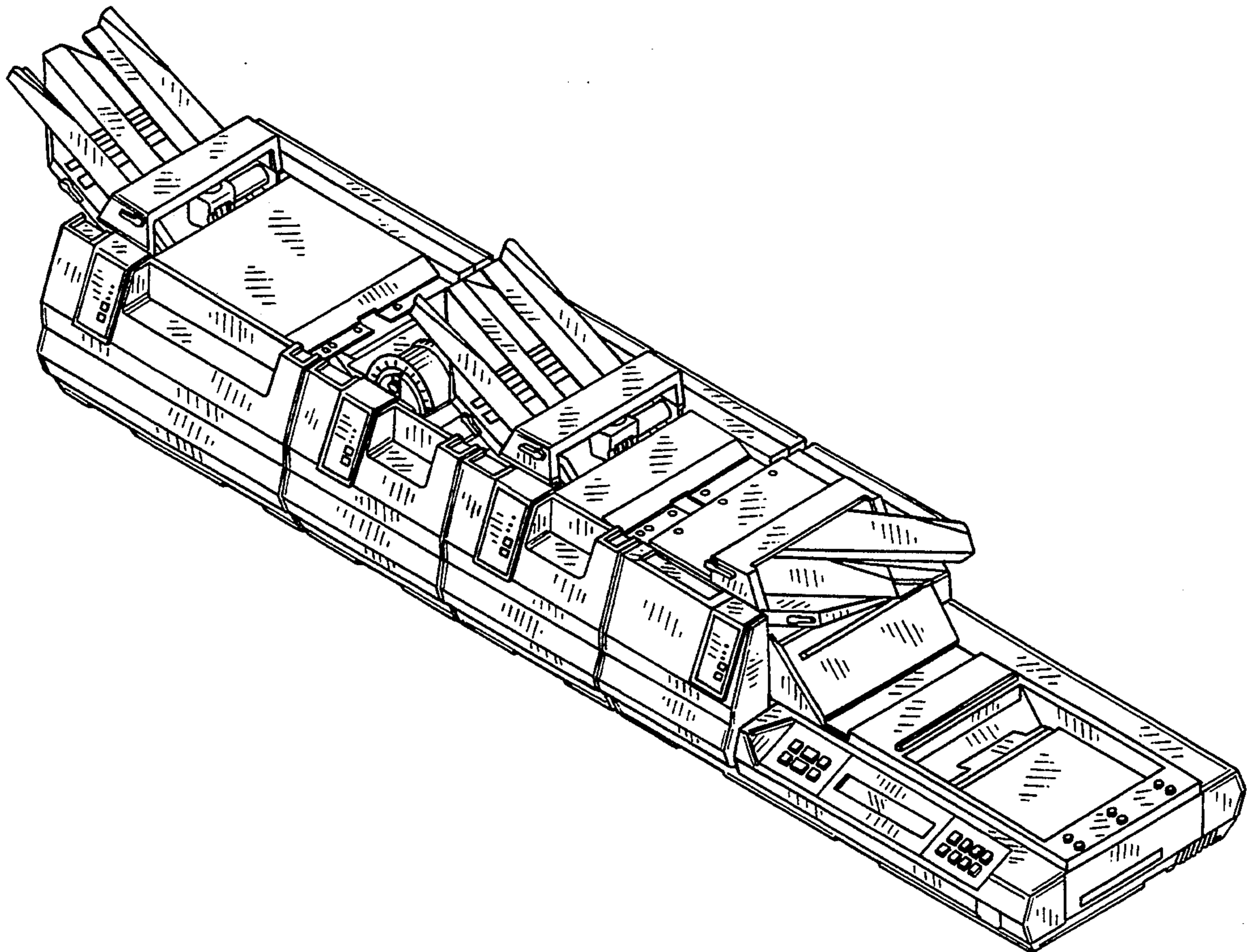


FIG. 1

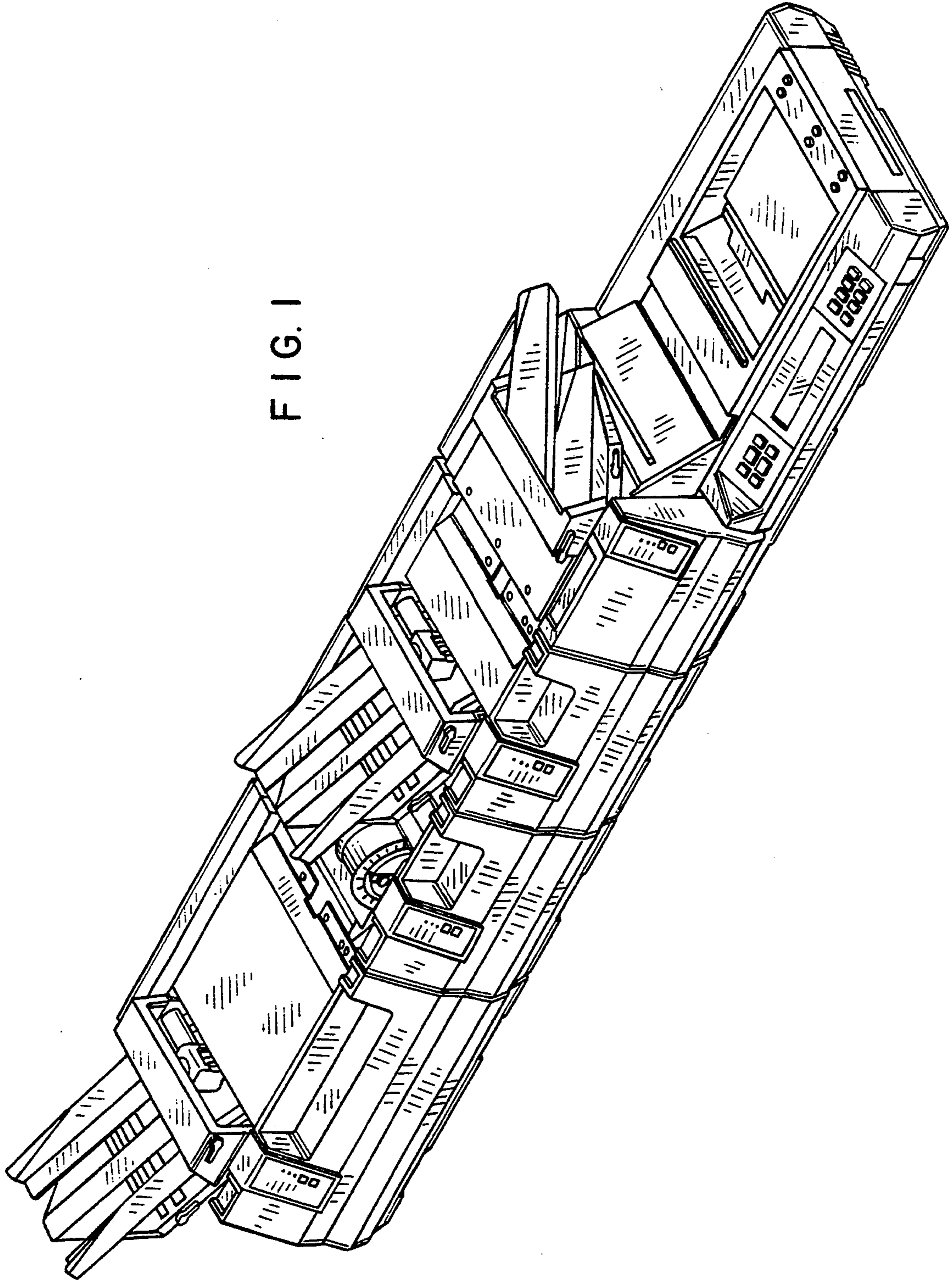


FIG. 2

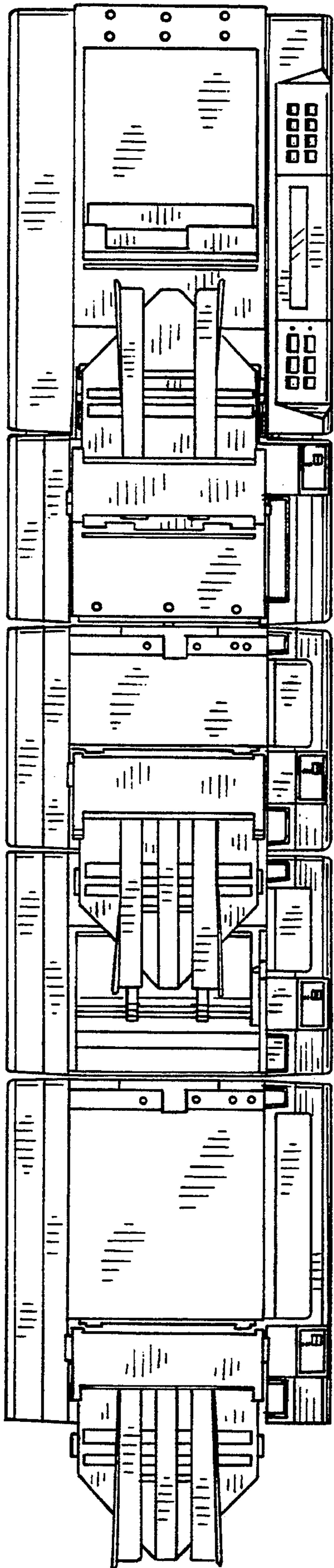


FIG. 3

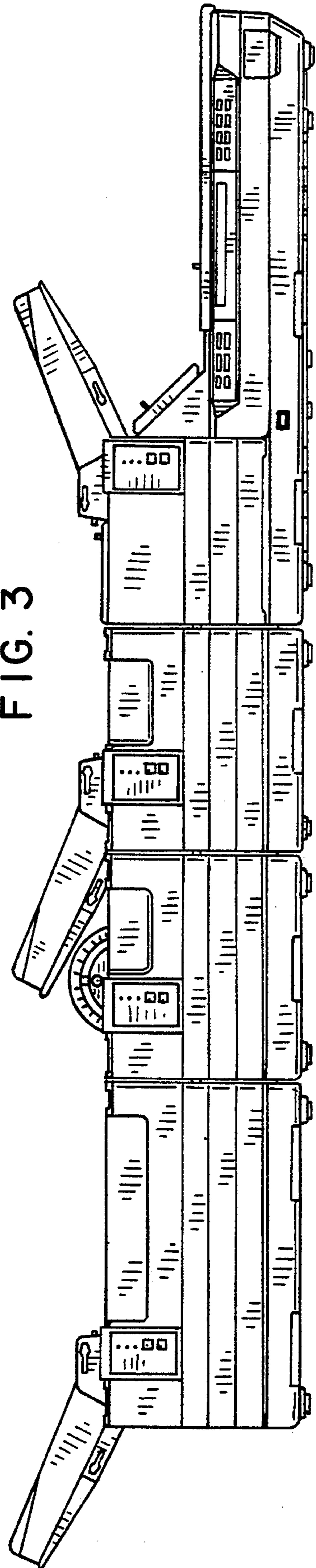


FIG. 4

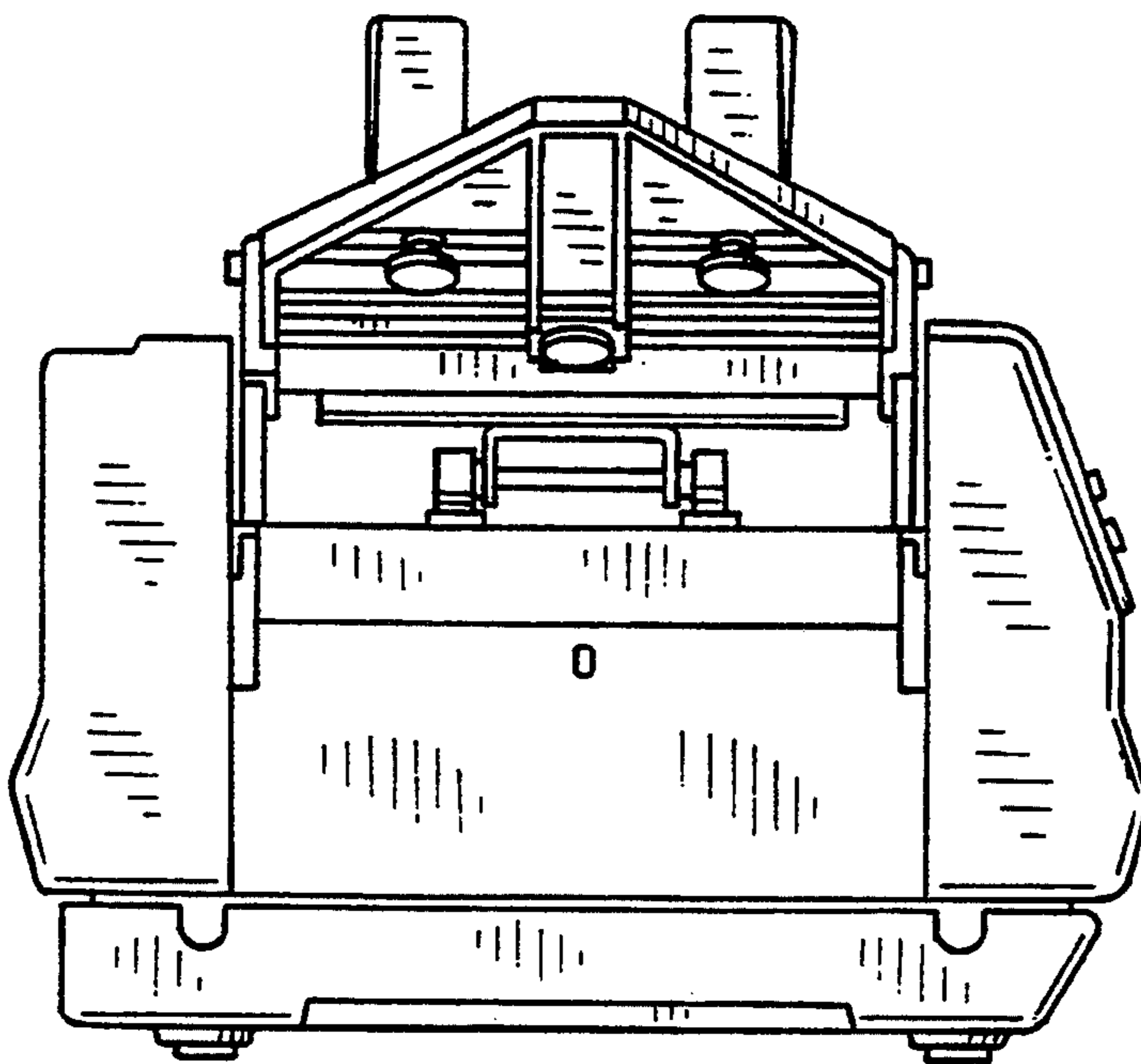
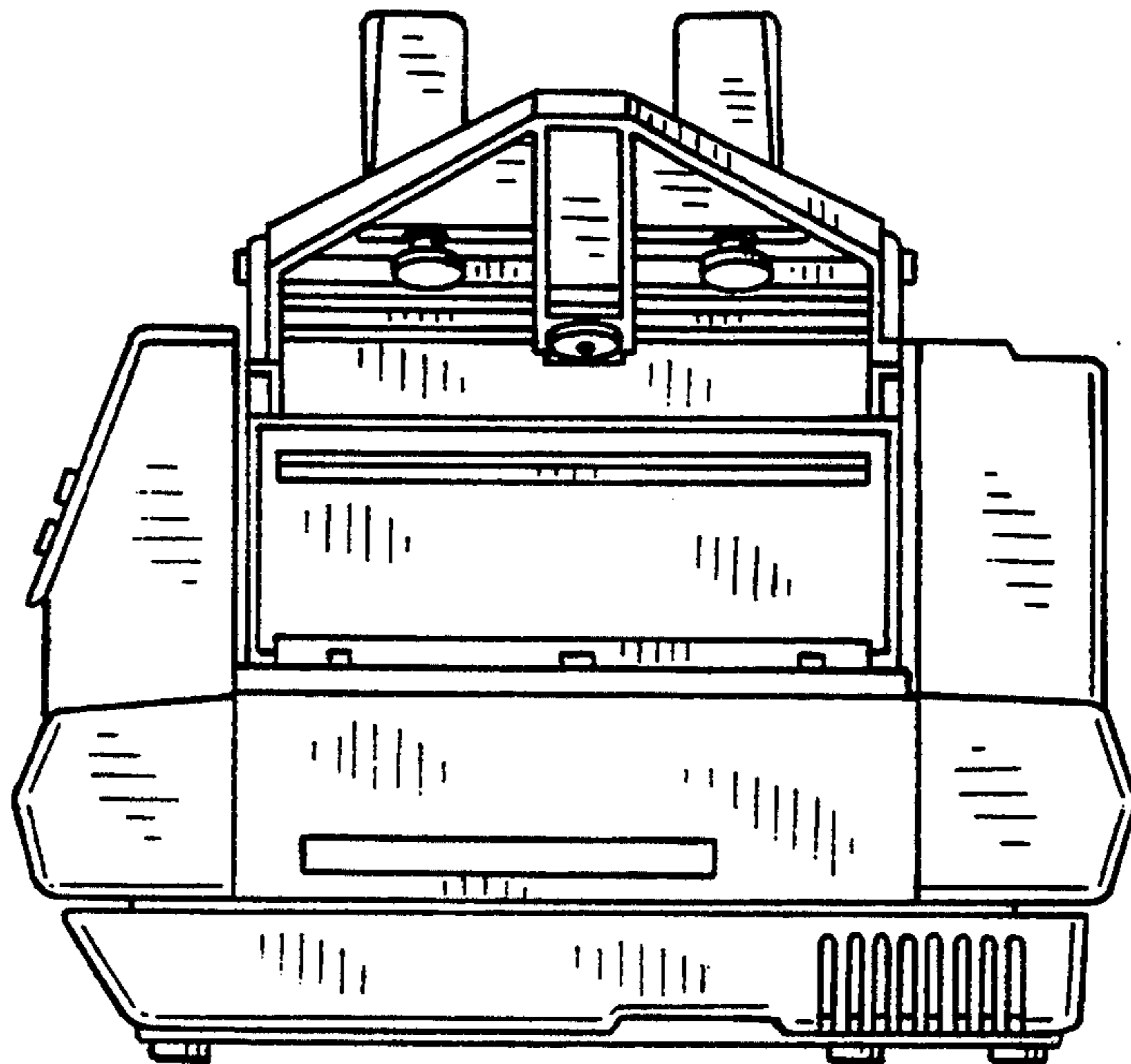


FIG. 5

FIG. 6

