



US00D354765S

# United States Patent [19]

Meister, Jr.

[11] Patent Number: **Des. 354,765**

[45] Date of Patent: **\*\* Jan. 24, 1995**

[54] **INSERTER BASE UNIT MODULE**

[75] Inventor: **Herbert E. Meister, Jr.**, Naugatuck, Conn.

[73] Assignee: **Pitney Bowes Inc.**, Stamford, Conn.

[\*\*] Term: **14 Years**

[21] Appl. No.: **12,302**

[22] Filed: **Aug. 27, 1993**

[52] U.S. Cl. .... **D18/99**

[58] Field of Search ..... D10/97; D15/145, 147, D15/199; D18/46, 47, 48, 49, 99; D34/29; 209/584, 900; 364/464.01, 464.02, 464.03, 918.52, DIG. 1, DIG. 2; 395/600; 177/25.15, 438-440

[56] **References Cited**

**U.S. PATENT DOCUMENTS**

- D. 243,712 3/1977 Morris et al. .... D15/145
- D. 309,472 7/1990 Nishida ..... D18/99

- D. 309,617 7/1990 Bain ..... D15/199
- 4,876,956 10/1989 Riley et al. .... 364/464.02 X
- 4,956,782 9/1990 Freeman et al. .... 364/464.02 X
- 5,122,962 6/1992 Gilham ..... 364/464.02 X
- 5,233,532 8/1993 Ramsden ..... 364/464.02 X

*Primary Examiner*—Alan P. Douglas  
*Assistant Examiner*—Antoine D. Davis  
*Attorney, Agent, or Firm*—Charles R. Malandra, Jr.;  
 Melvin J. Scolnick

[57] **CLAIM**

The ornamental design for a inserter base unit module, as shown and described.

**DESCRIPTION**

FIG. 1 is a top, front and left side perspective view of a inserter base unit module showing my new design;  
 FIG. 2 is a top plan view thereof;  
 FIG. 3 is a left elevational view thereof;  
 FIG. 4 is a front side elevational view thereof;  
 FIG. 5 is a rear side elevational view thereof; and,  
 FIG. 6 is a right side elevational view thereof.

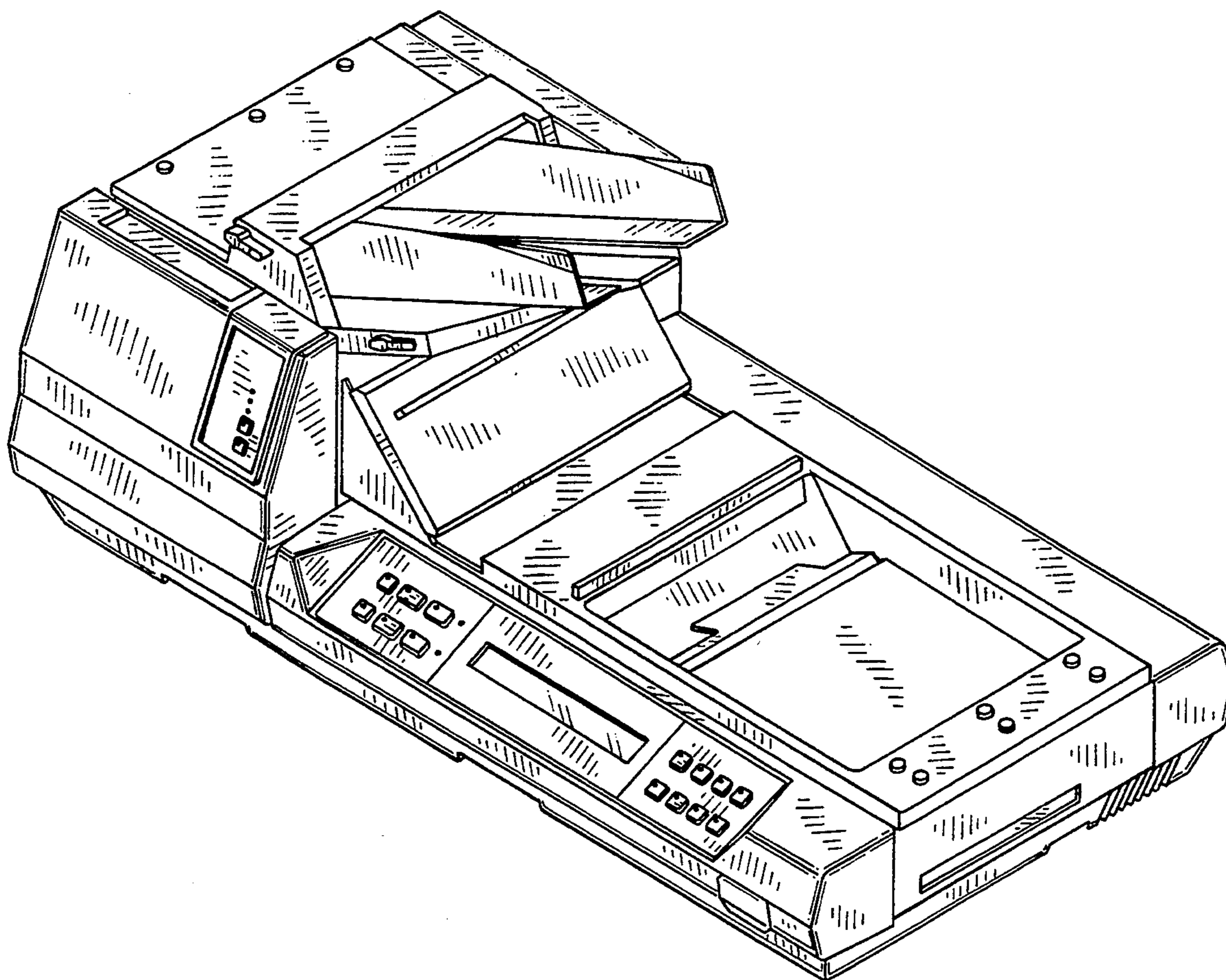


FIG. 1

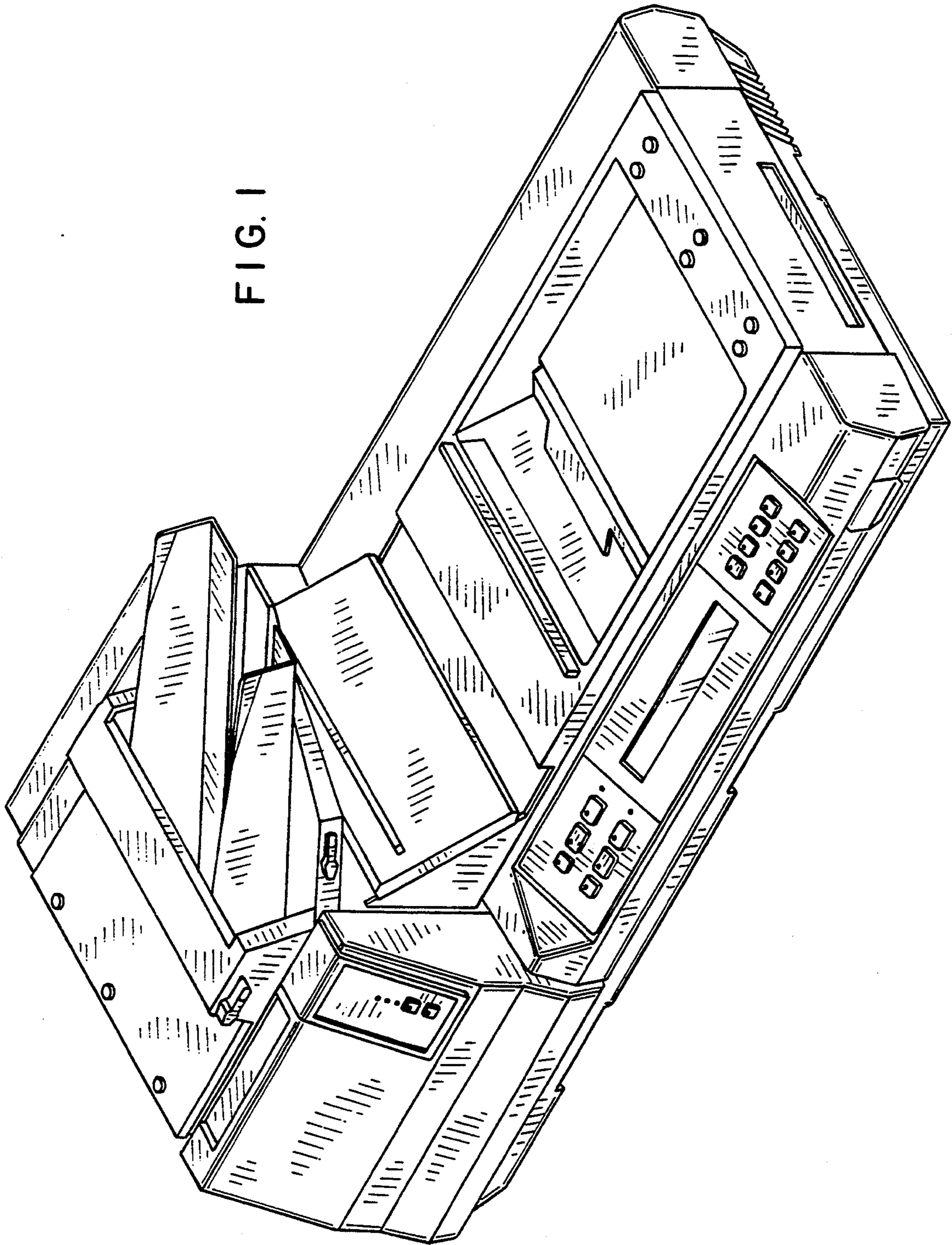


FIG. 2

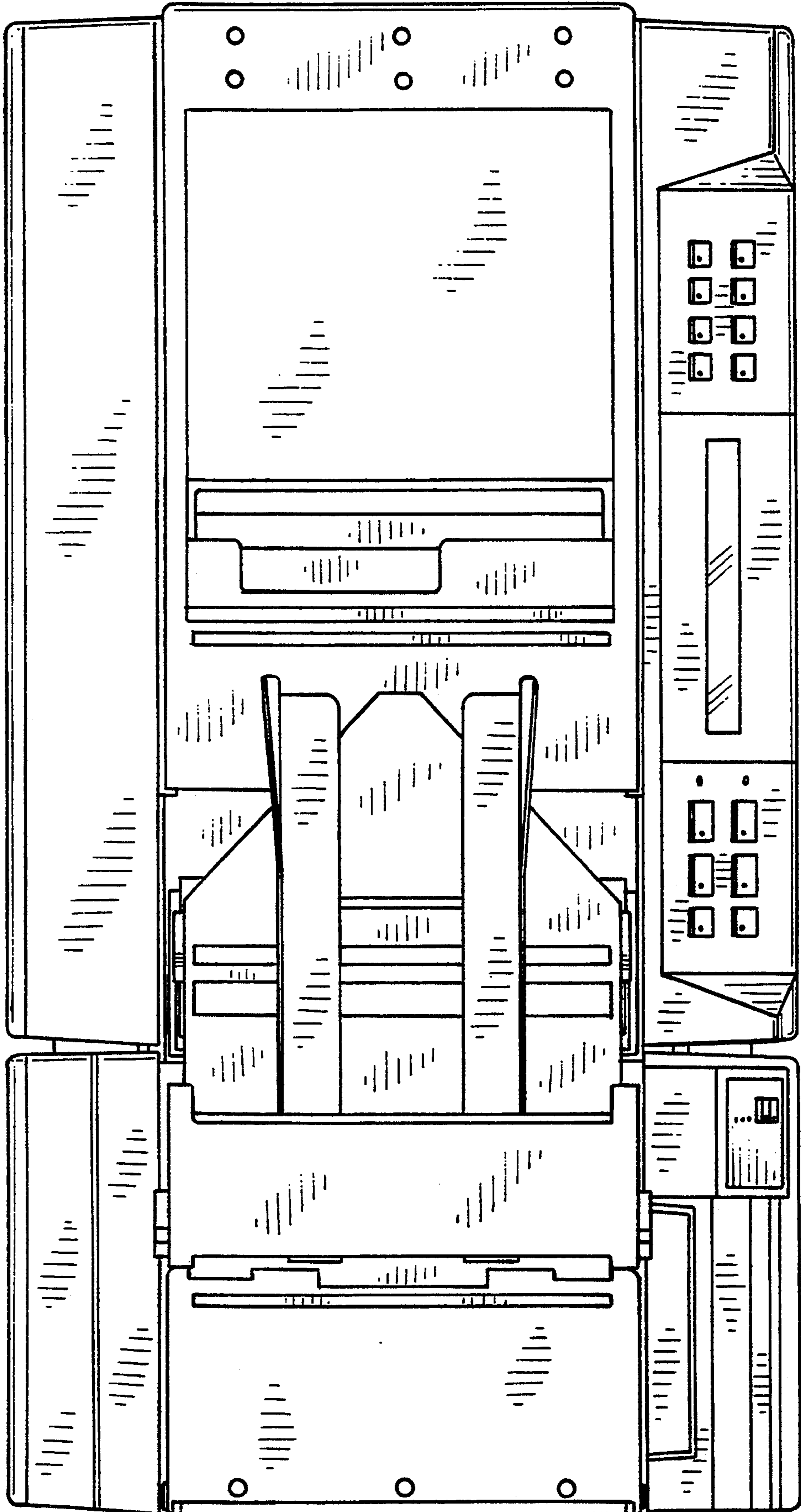
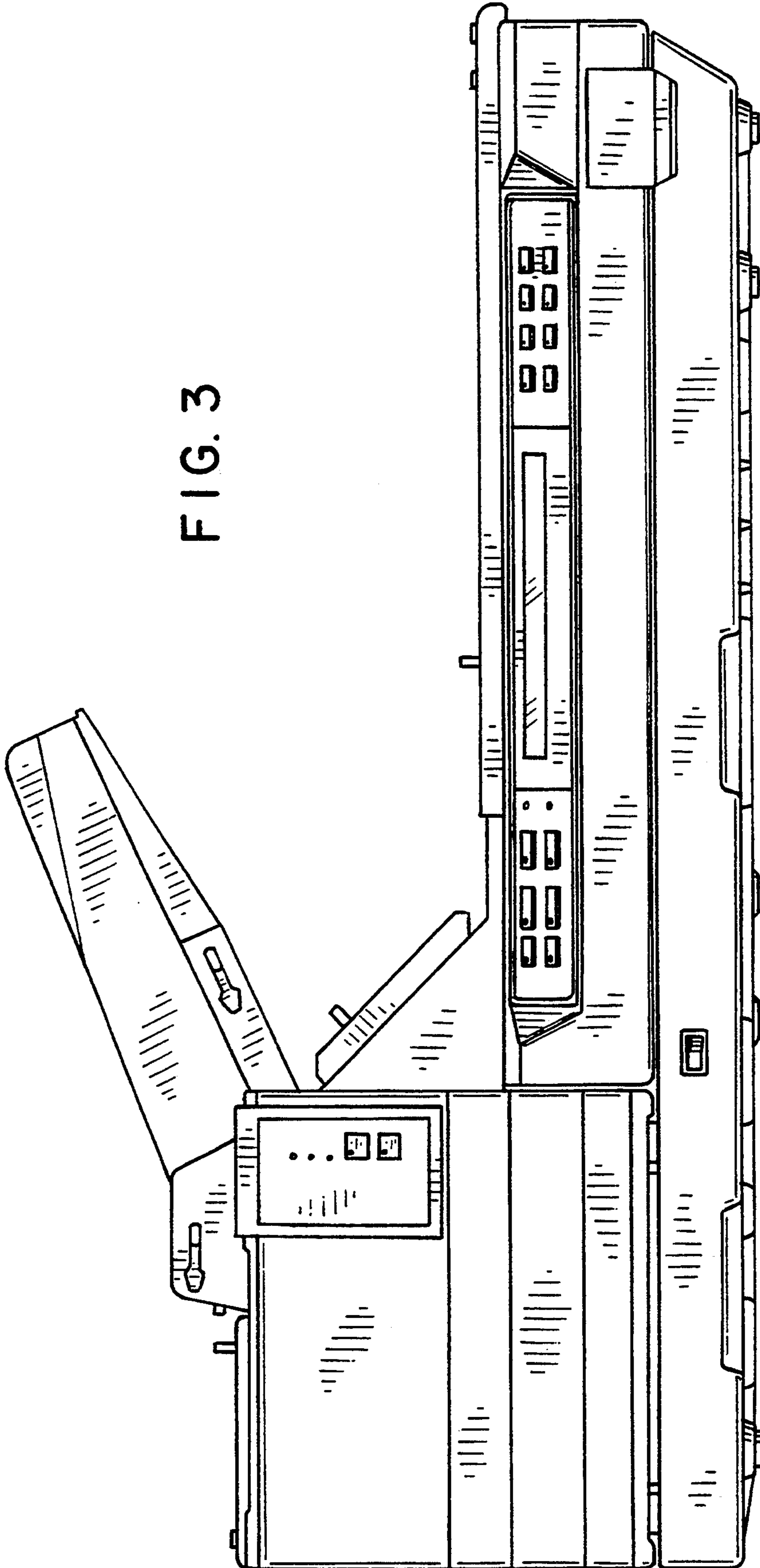


FIG. 3



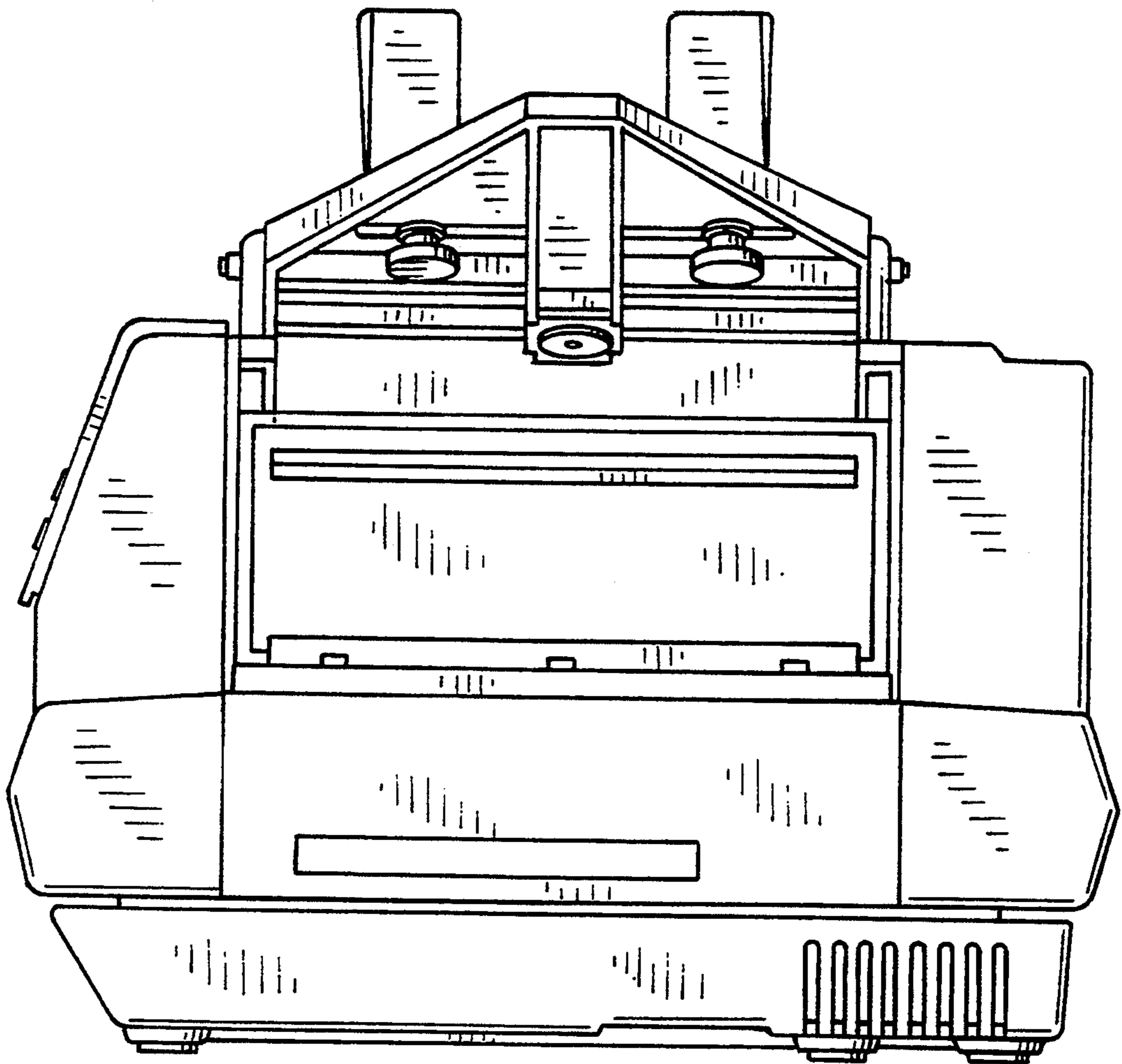


FIG. 4

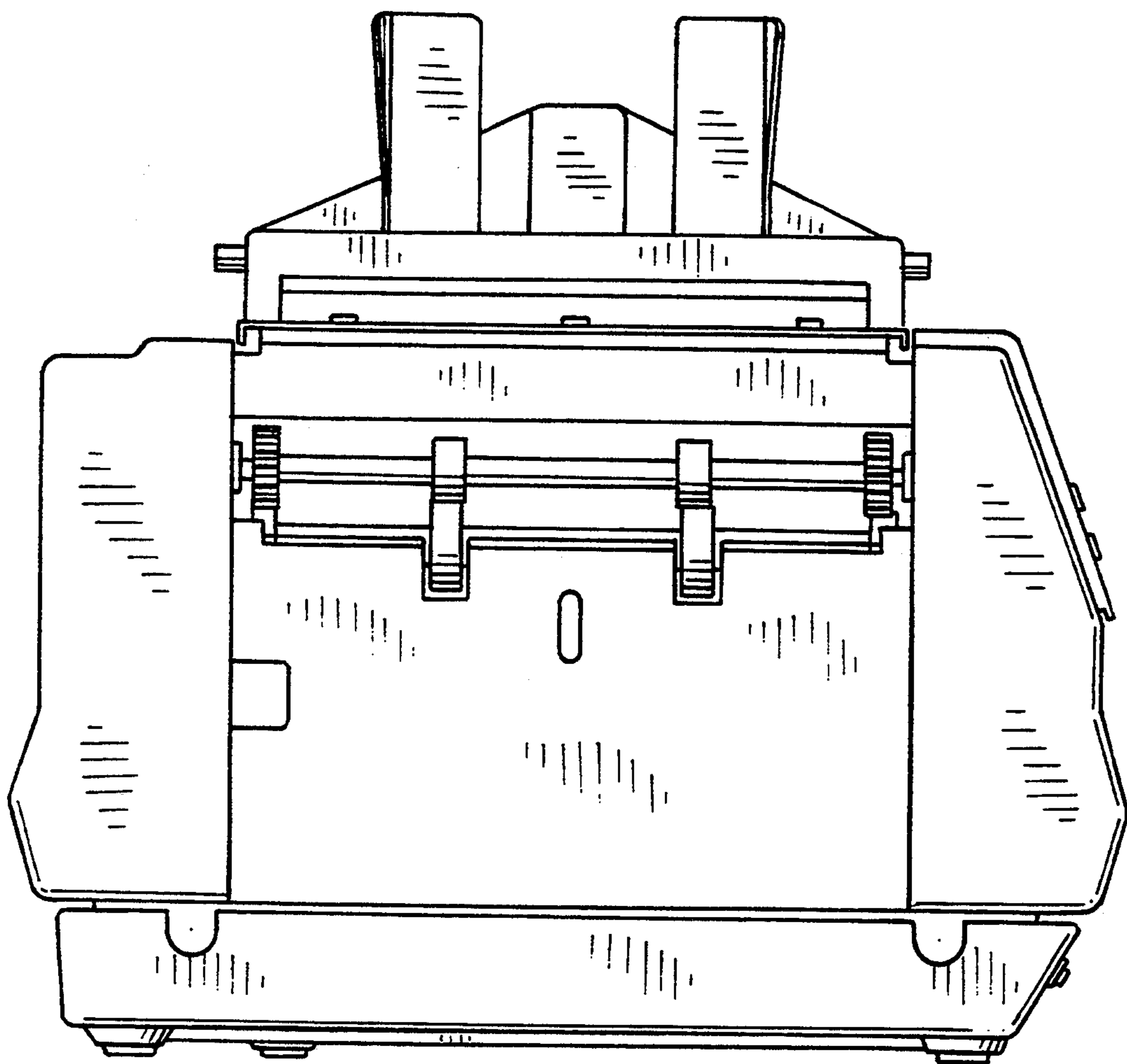


FIG. 5

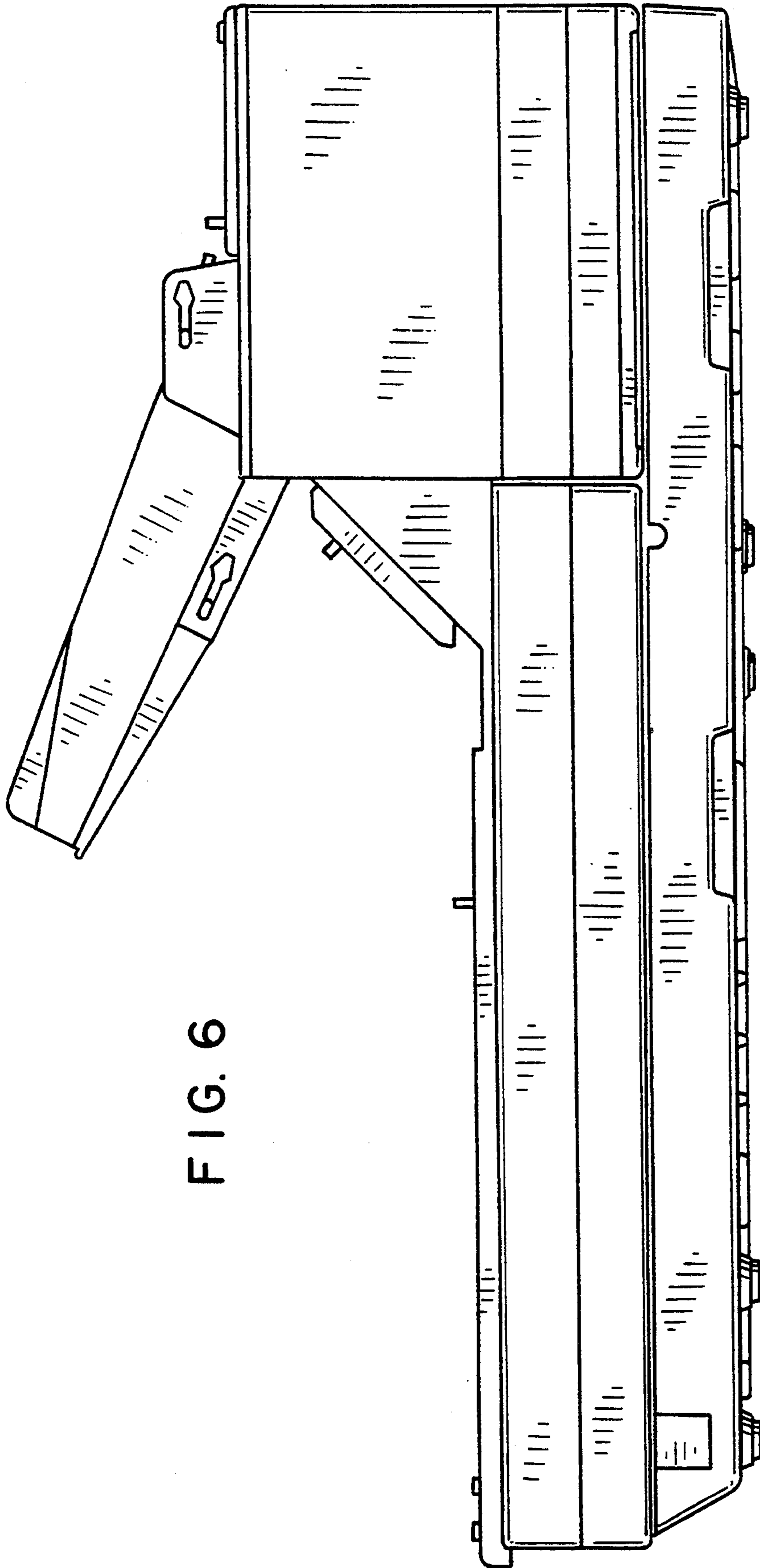


FIG. 6