



US00D354761S

United States Patent [19]

Komatsuzaki et al.

[11] Patent Number: **Des. 354,761**

[45] Date of Patent: **** Jan. 24, 1995**

[54] MICROSCOPE

4,863,252 9/1989 McCarthy et al. 359/376
5,119,233 6/1992 Hayashi 359/390

[75] Inventors: **Takashi Komatsuzaki; George Hayashi**, both of San Jose, Calif.

[73] Assignee: **Swift Instruments, Inc.**, Boston, Mass.

[**] Term: **14 Years**

[21] Appl. No.: **8,985**

[22] Filed: **Jun. 1, 1993**

[52] U.S. Cl. **D16/131**

[58] Field of Search **D16/131; 359/368, 377, 359/376, 381, 388, 385, 390, 393, 392, 382, 383, 391**

[56] **References Cited**

U.S. PATENT DOCUMENTS

D. 296,904 7/1988 Lukaszewski D16/131
D. 345,746 4/1994 Hölbl D16/131
4,445,758 5/1984 Emmel 359/393 X
4,695,137 9/1987 Jörgens et al. 359/383

OTHER PUBLICATIONS

American Optical Corp, p. 7, ©1977, Fluorestar Microscope.

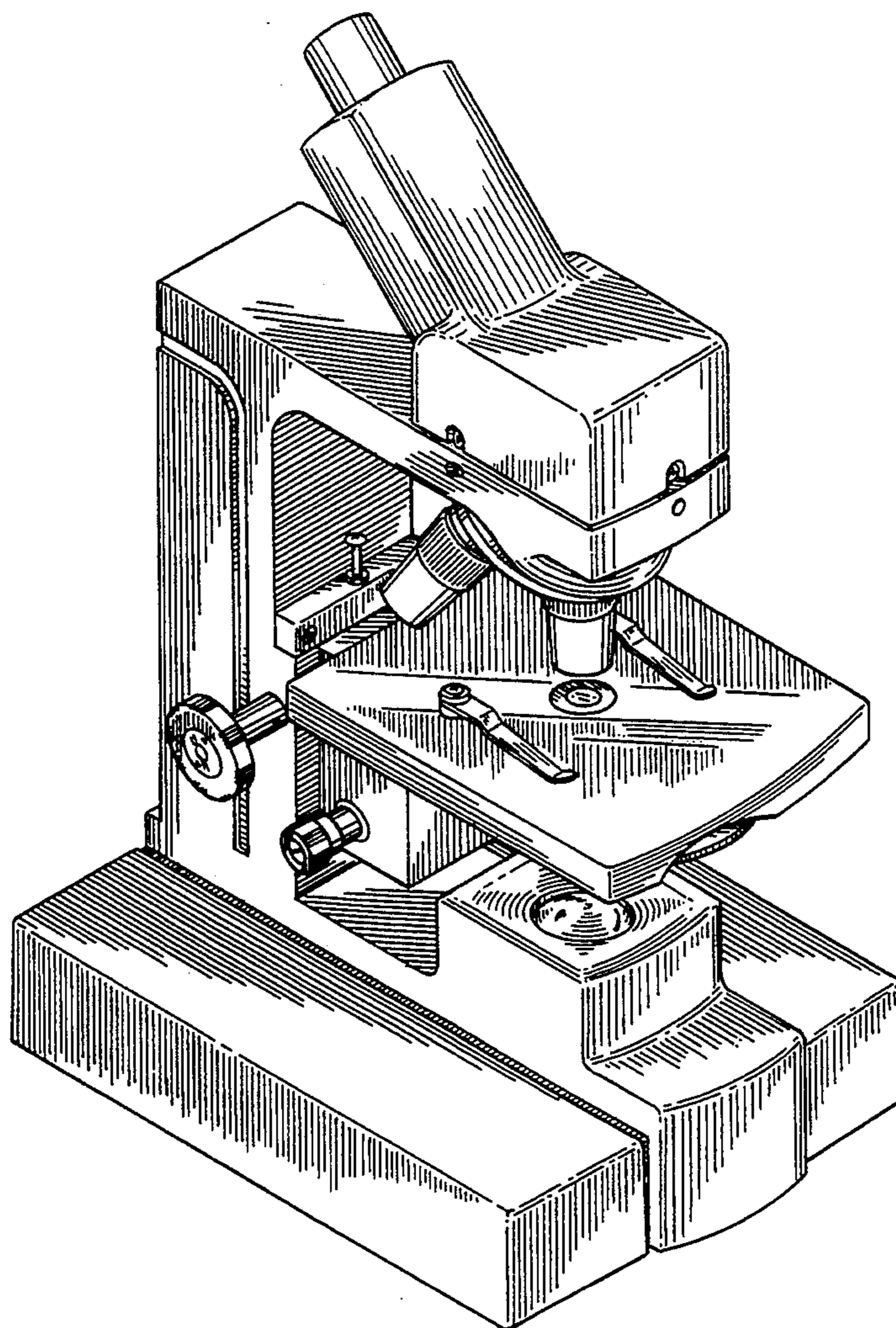
Primary Examiner—A. Hugo Word
Assistant Examiner—Doris V. Coles
Attorney, Agent, or Firm—Fish & Richardson

[57] **CLAIM**

The ornamental design for a microscope, as shown and described.

DESCRIPTION

FIG. 1 is a perspective view of a microscope, showing our new design;
FIG. 2 side view of the microscope of FIG. 1, the opposite side view being the same;
FIG. 3 front view of the microscope of FIG. 1;
FIG. 4 rear view of the microscope of FIG. 1;
FIG. 5 top view of the microscope of FIG. 1; and,
FIG. 6 bottom view of the microscope of FIG. 1.



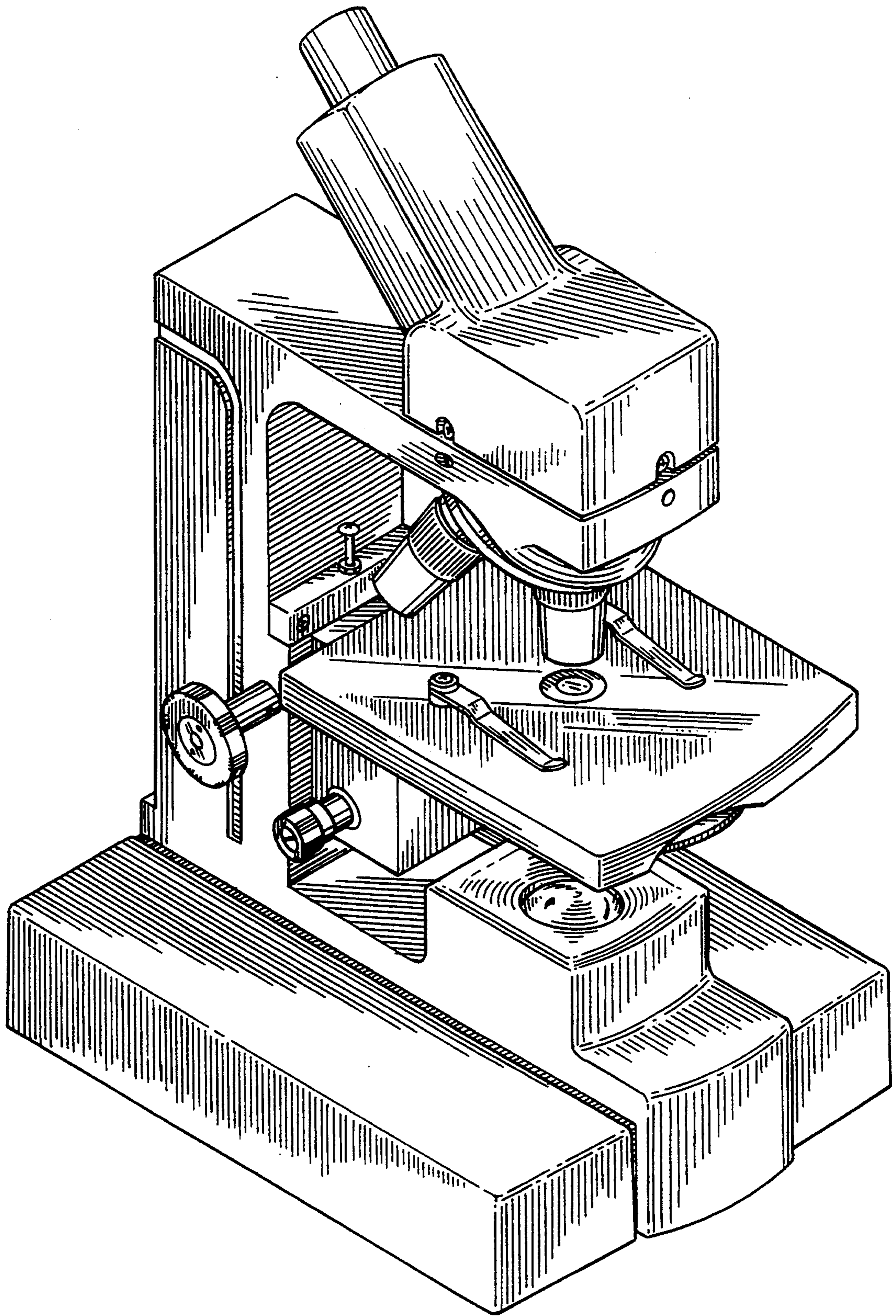


Fig. 1

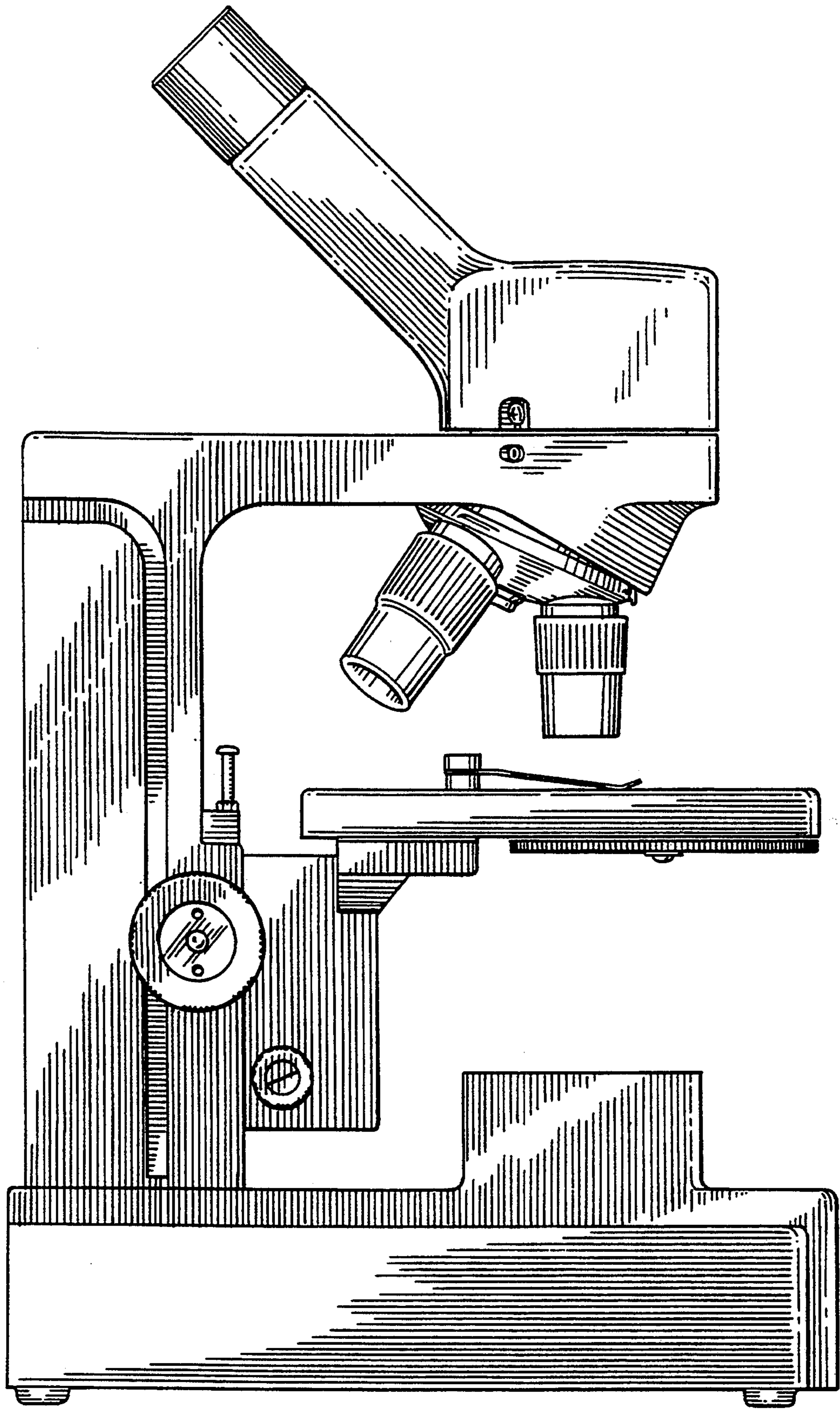


Fig. 2

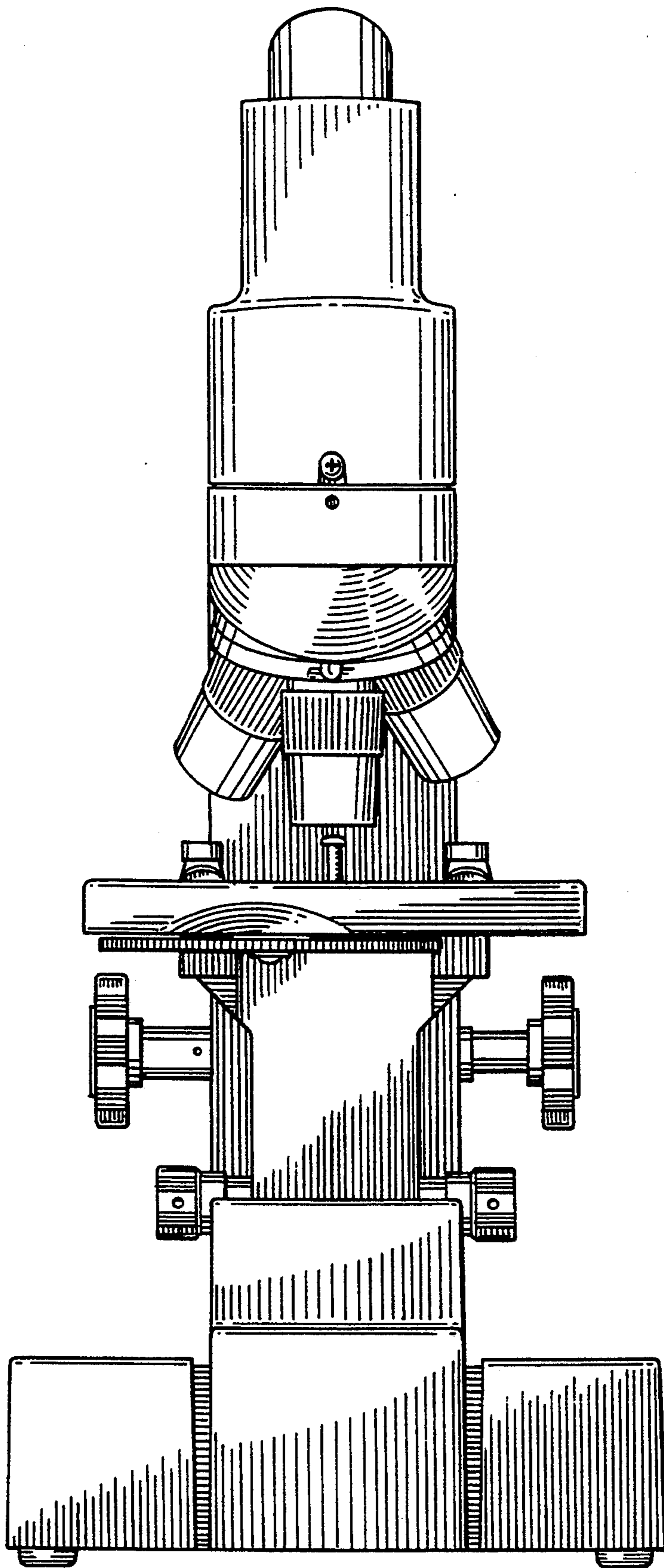


Fig. 3

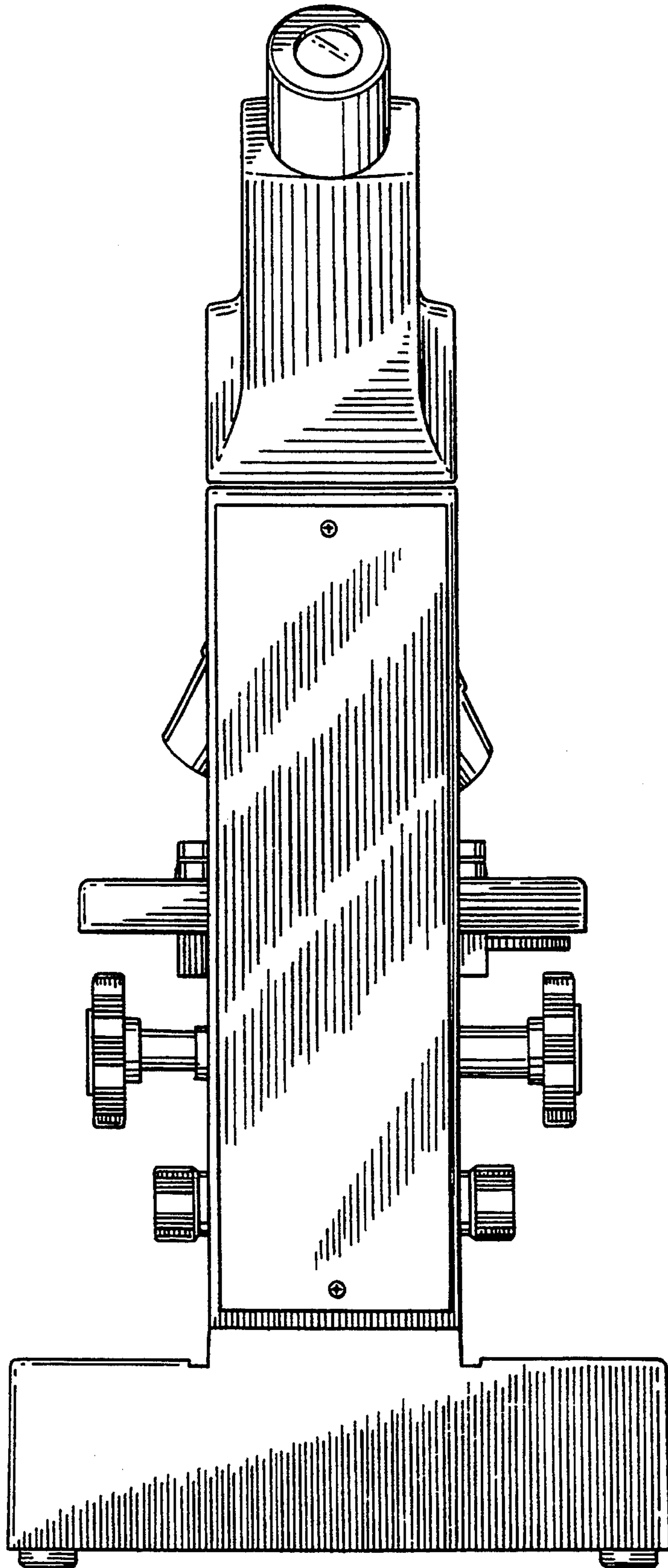


Fig. 4

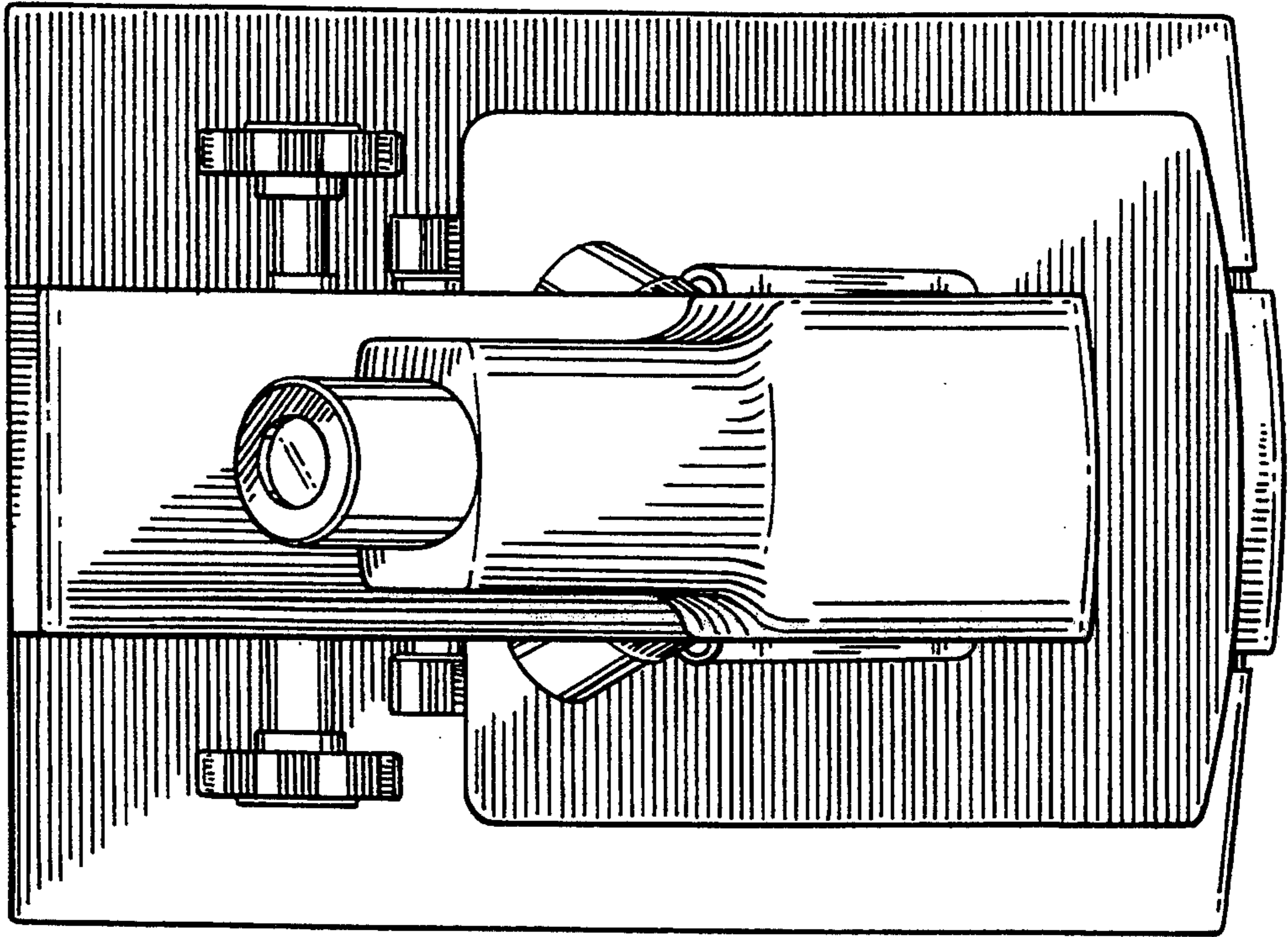


Fig. 5

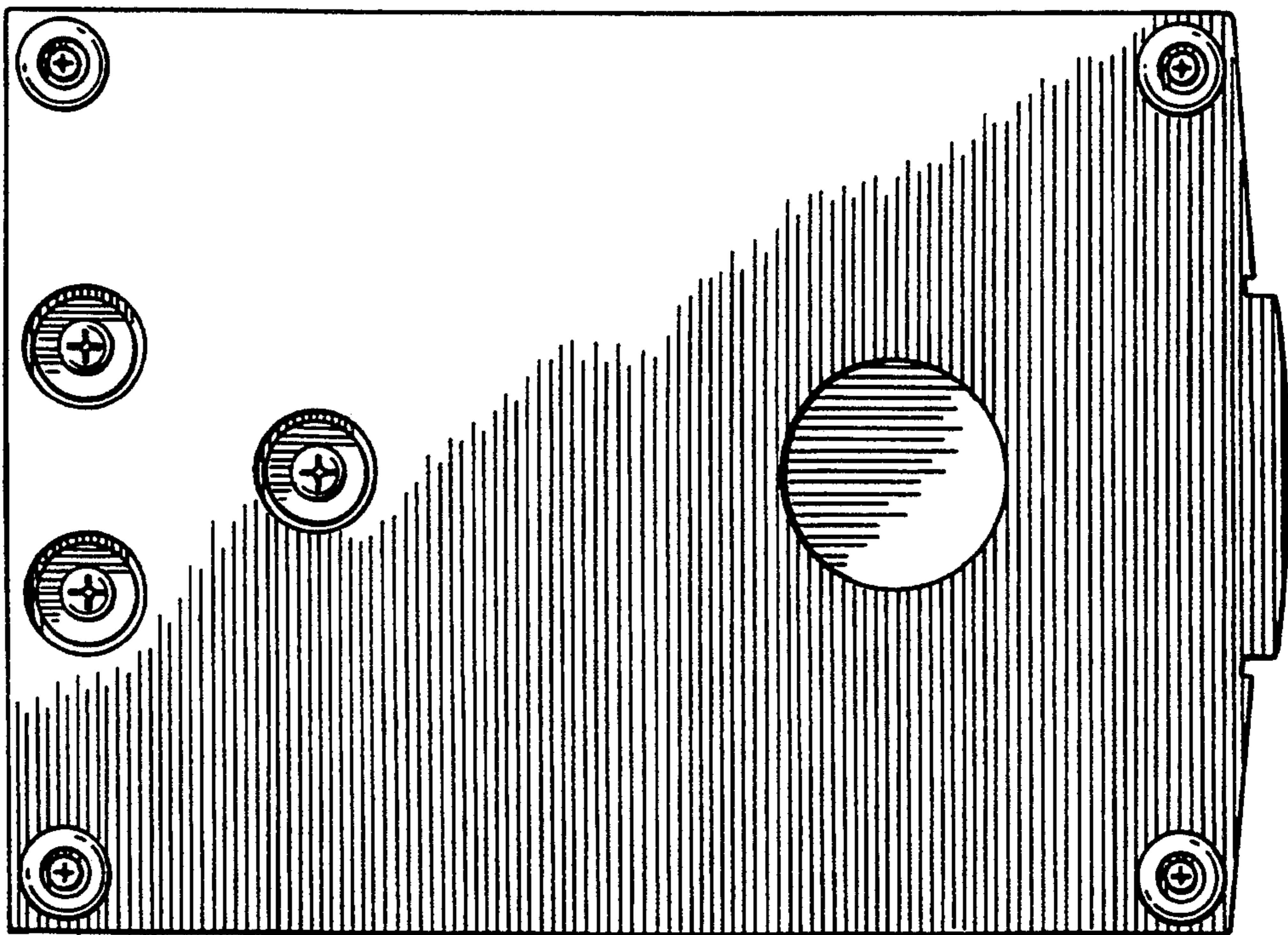


Fig. 6