



US00D354757S

United States Patent [19]

Wixey

[11] Patent Number: **Des. 354,757**

[45] Date of Patent: **** Jan. 24, 1995**

- [54] **BENCH TOP TABLE SAW**
- [75] Inventor: **Barry D. Wixey, Pittsburgh, Pa.**
- [73] Assignee: **Delta International Machinery Corp., Pittsburgh, Pa.**
- [**] Term: **14 Years**
- [21] Appl. No.: **15,442**
- [22] Filed: **Nov. 17, 1993**
- [52] U.S. Cl. **D15/133**
- [58] Field of Search **D15/133; 83/468.7, 477.2, 83/432, 435.1, 468.3, 477, 522.10, 478, 440.2, 544, 468.7, 522.1 B; 269/318, 165, 180**

[56] References Cited

U.S. PATENT DOCUMENTS

D. 142,809	11/1945	Andresen	D15/133
D. 268,932	5/1983	Lawson	D15/133
D. 299,925	2/1989	Brickner, Jr. et al. .	
D. 306,172	2/1990	Wodli	D15/133
D. 326,666	6/1992	Miyamoto et al.	D15/133 X
2,850,054	9/1958	Eschenburg	D15/133 X
4,385,539	5/1983	Meyerhoefer et al.	D15/133 X
5,230,269	7/1993	Shiotani et al.	83/468.7
5,282,408	2/1994	Shiotani et al.	83/432
5,293,802	3/1994	Shiotani et al.	83/468.7

OTHER PUBLICATIONS

Instruction Manual for 8½ Builders Saw (Model 34-330) of Delta International Machinery Corp., dated Mar. 25, 1991.
 Instruction Manual for 10" Motorized Bench Saw of

Delta International Machinery Corp., dated Mar. 20, 1989.
 Instruction Manual for 8½ Bench Saw of Delta International Machinery Corp., dated Apr. 15, 1989.
 Instruction Manual for Model 8 Motorized Saw of Rockwell International, dated May 15, 1979.
 "Tool Review: Benchtop Table Saws", *The Woodworker's Journal*, vol. 16, No. 5 (Sep./Oct. 1992), pp. 64-69.
 "Workbench Guide to 10" Bench-Top Table Saws", *Workbench*, (Mar. 1993), pp. 52-56.

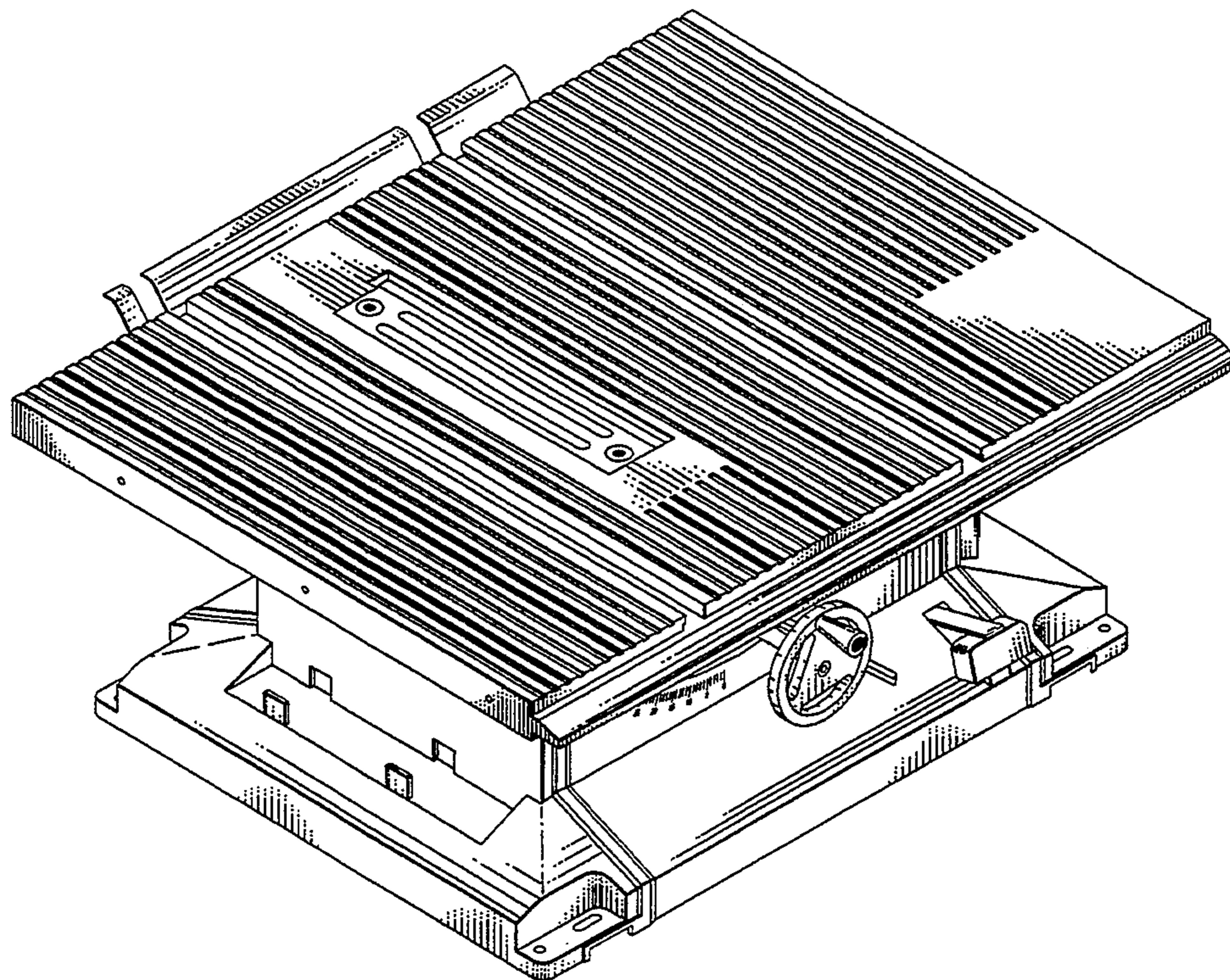
Primary Examiner—Alan P. Douglas
 Assistant Examiner—Antoine D. Davis
 Attorney, Agent, or Firm—Kirkpatrick & Lockhart

[57] CLAIM

The ornamental design for a bench top table saw, as shown.

DESCRIPTION

FIG. 1 is an isometric view of the bench top table saw of the present invention;
 FIG. 2 is a front elevational view of the bench top table saw illustrated in FIG. 1;
 FIG. 3 is a rear elevational view of the bench top table saw illustrated in FIG. 1;
 FIG. 4 is a right side elevational view of the bench top table saw illustrated in FIG. 1;
 FIG. 5 is a left side elevational view of the bench top table saw illustrated in FIG. 1;
 FIG. 6 is a top view of the bench top table saw illustrated in FIG. 1; and,
 FIG. 7 is a bottom view of the bench top table saw illustrated in FIG. 1.



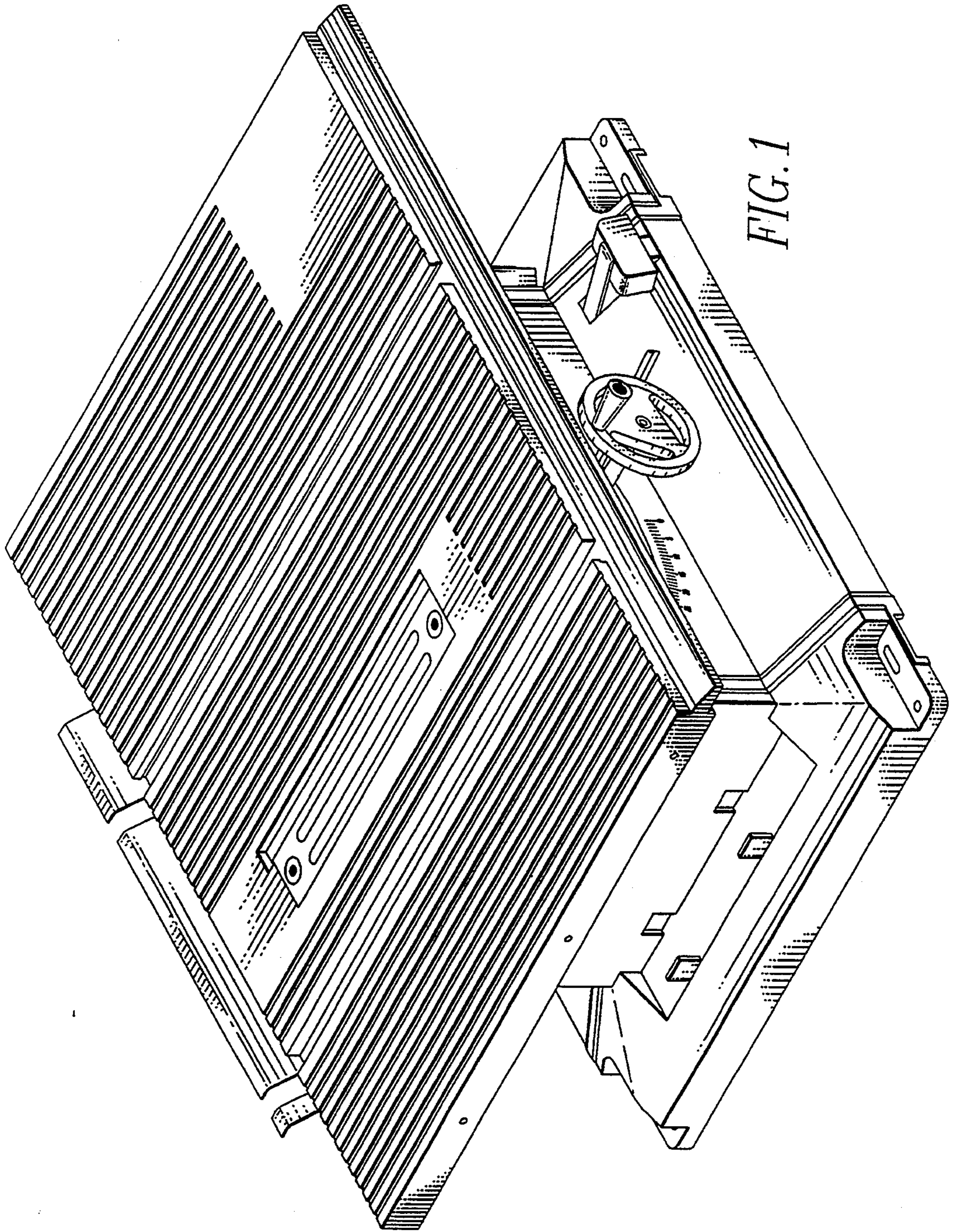


FIG. 1

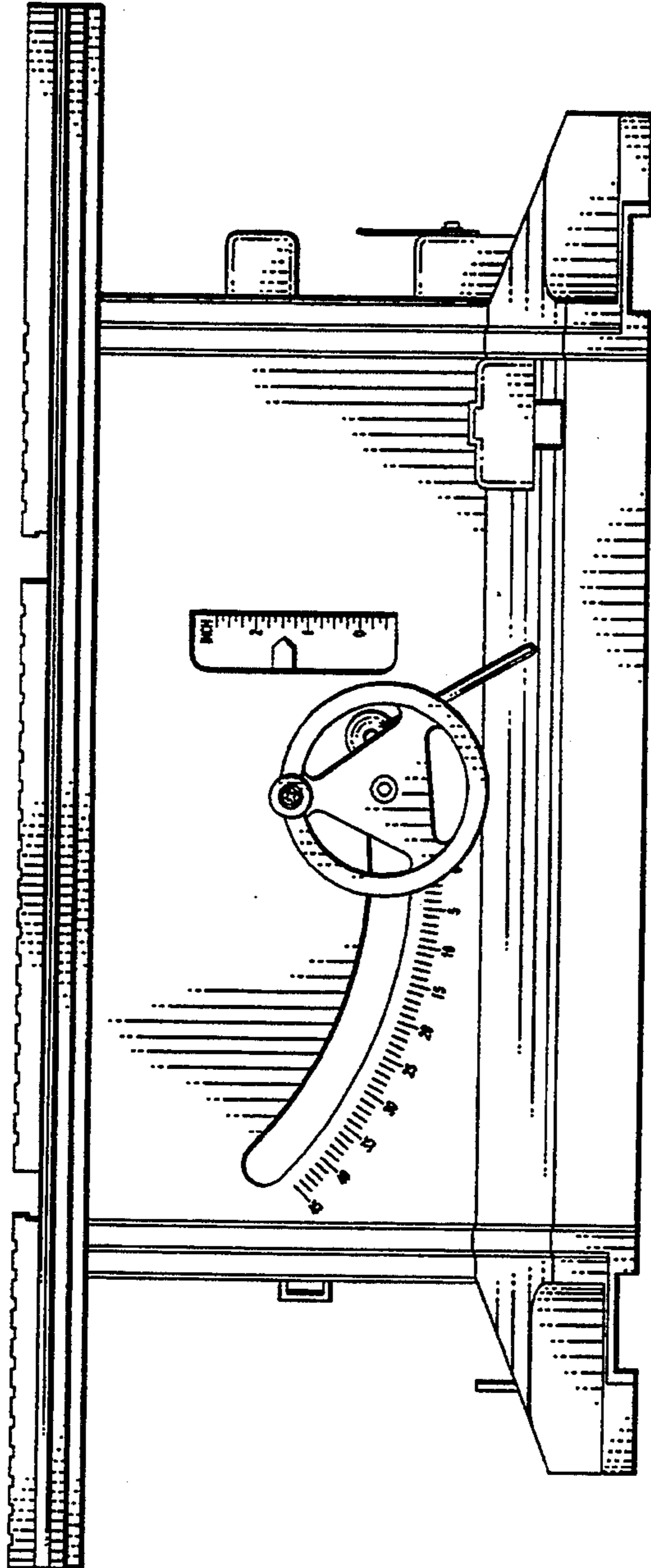


FIG. 2

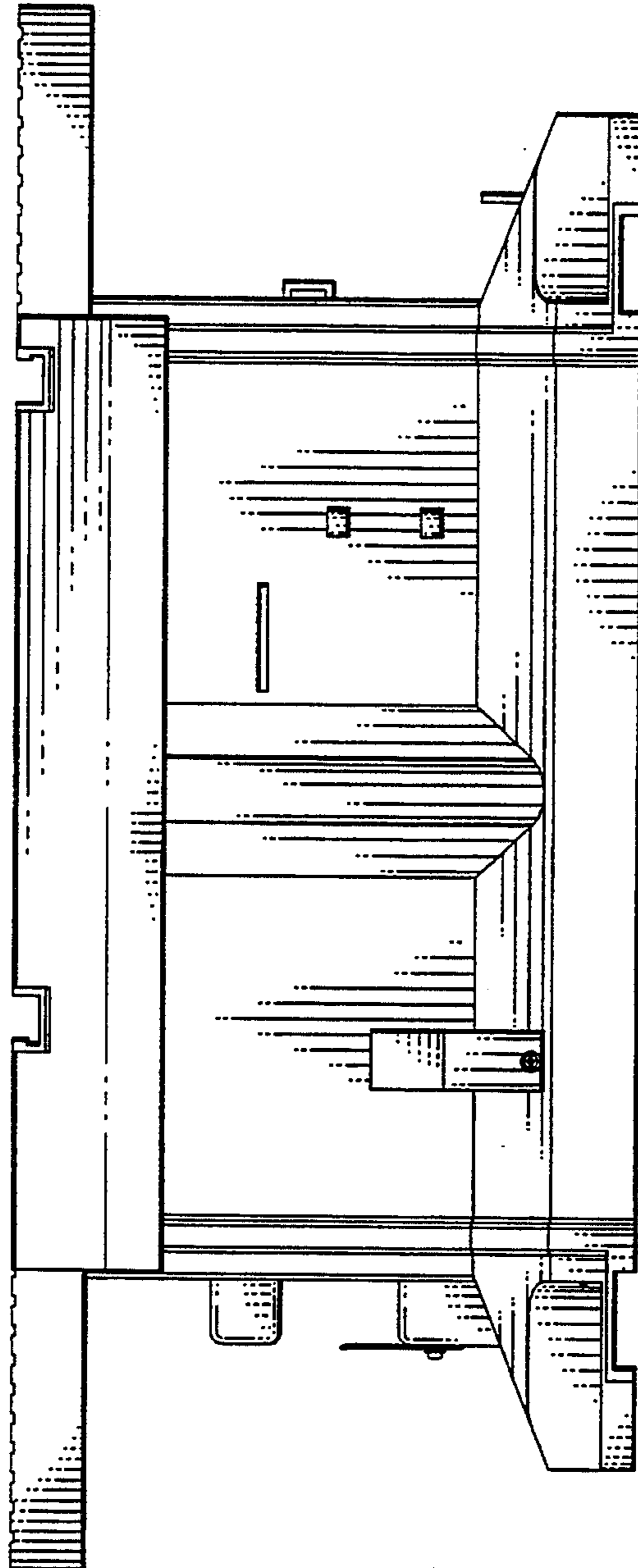


FIG. 3

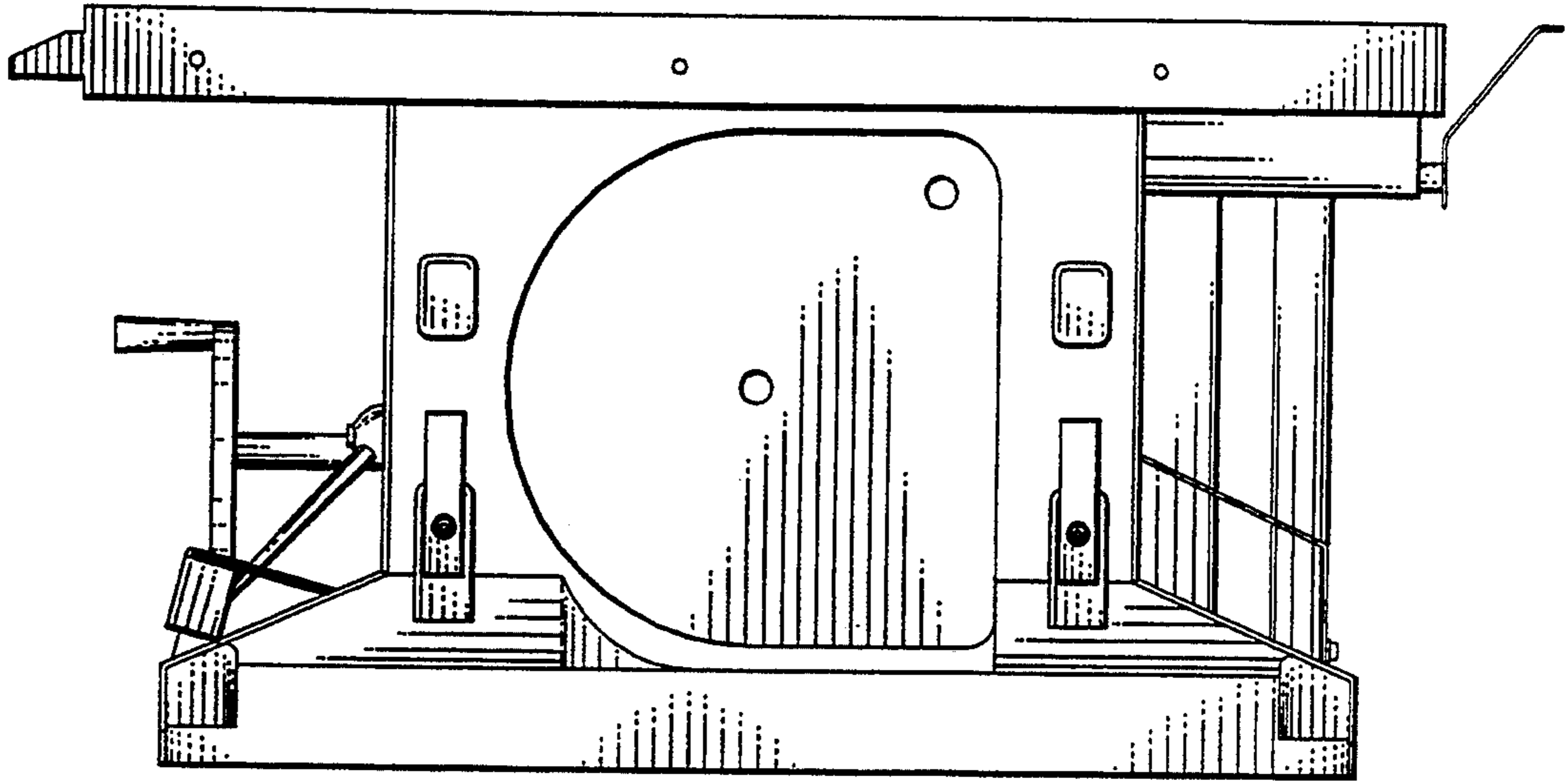


FIG. 4

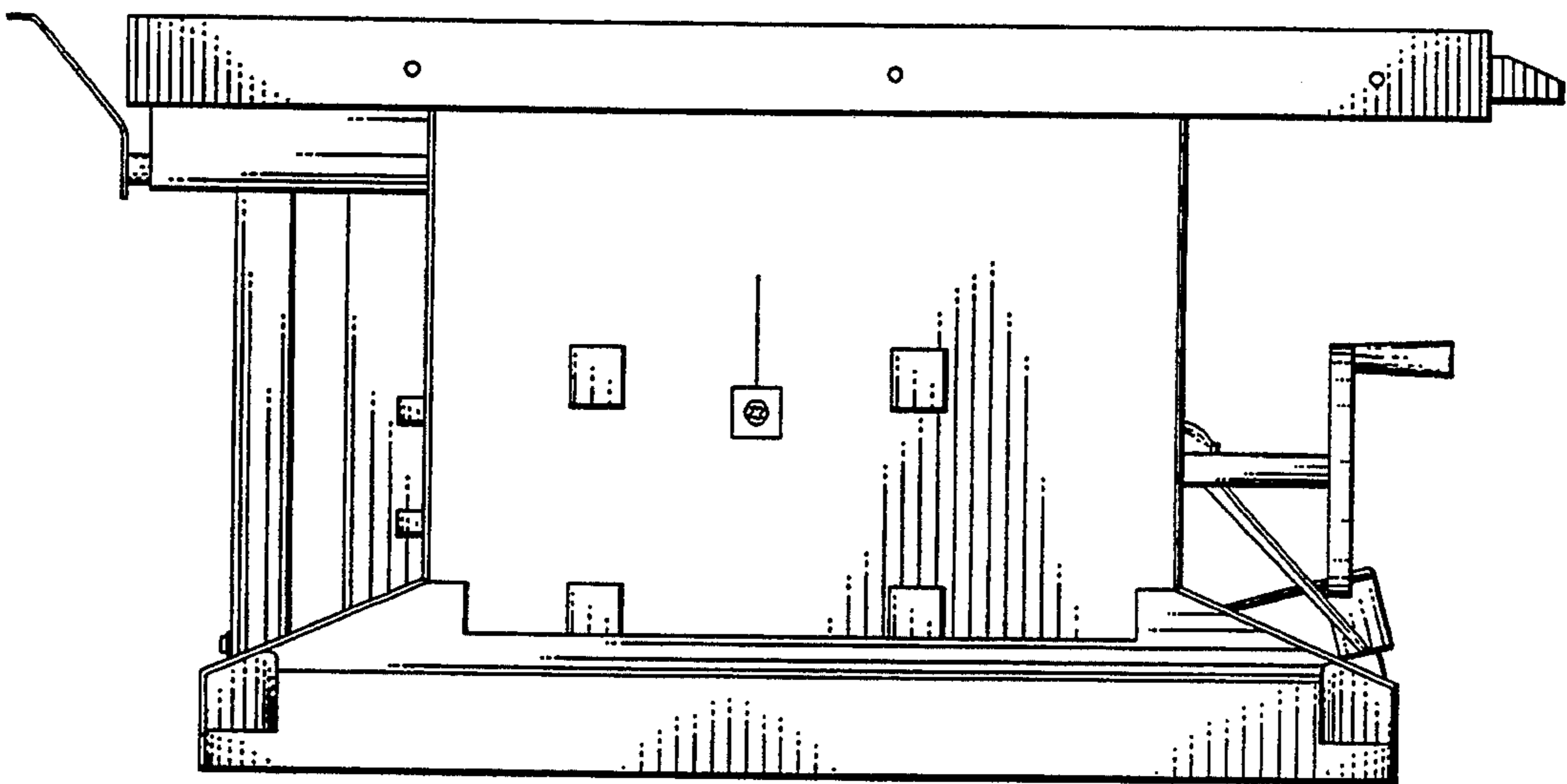


FIG. 5

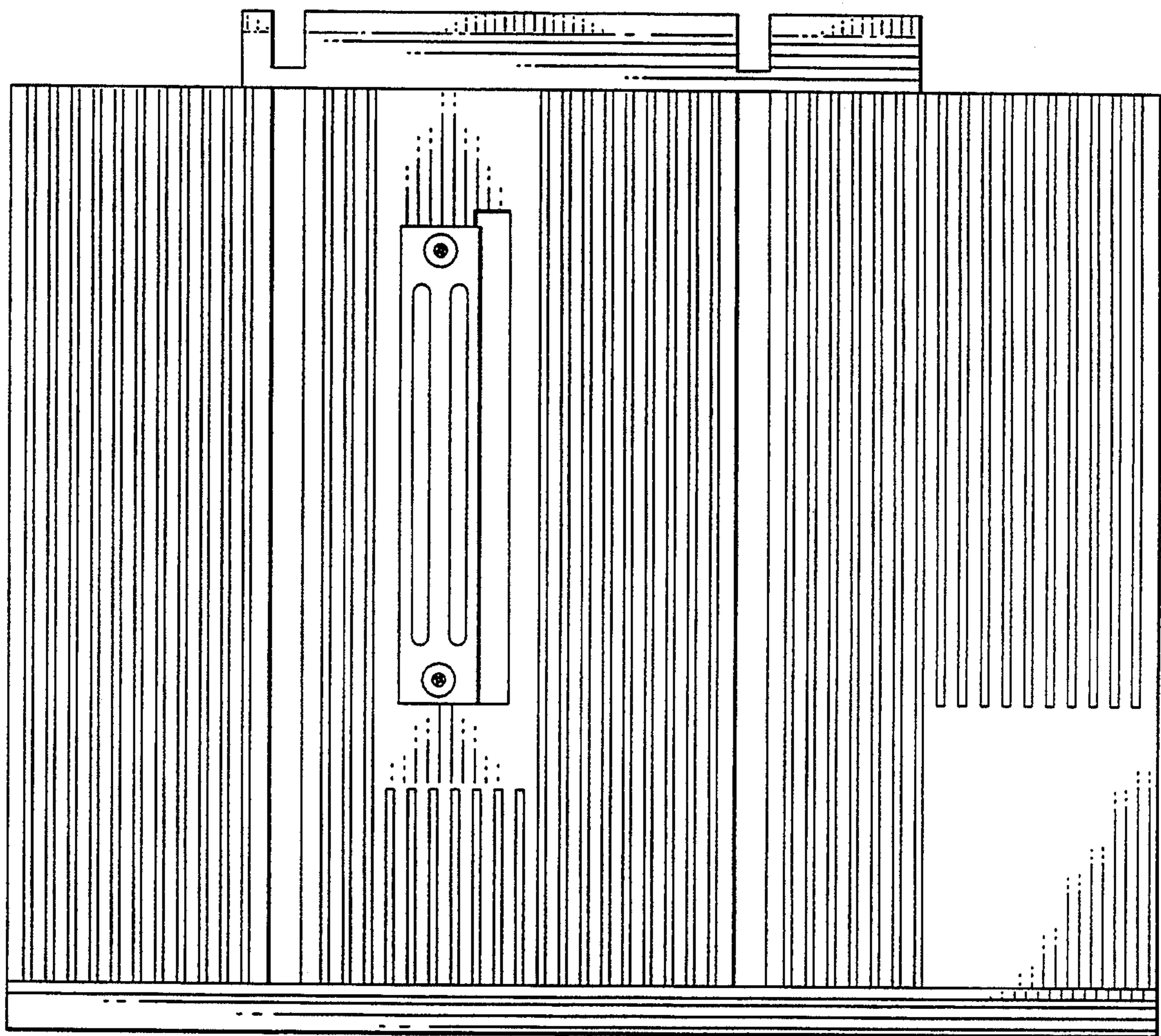


FIG. 6

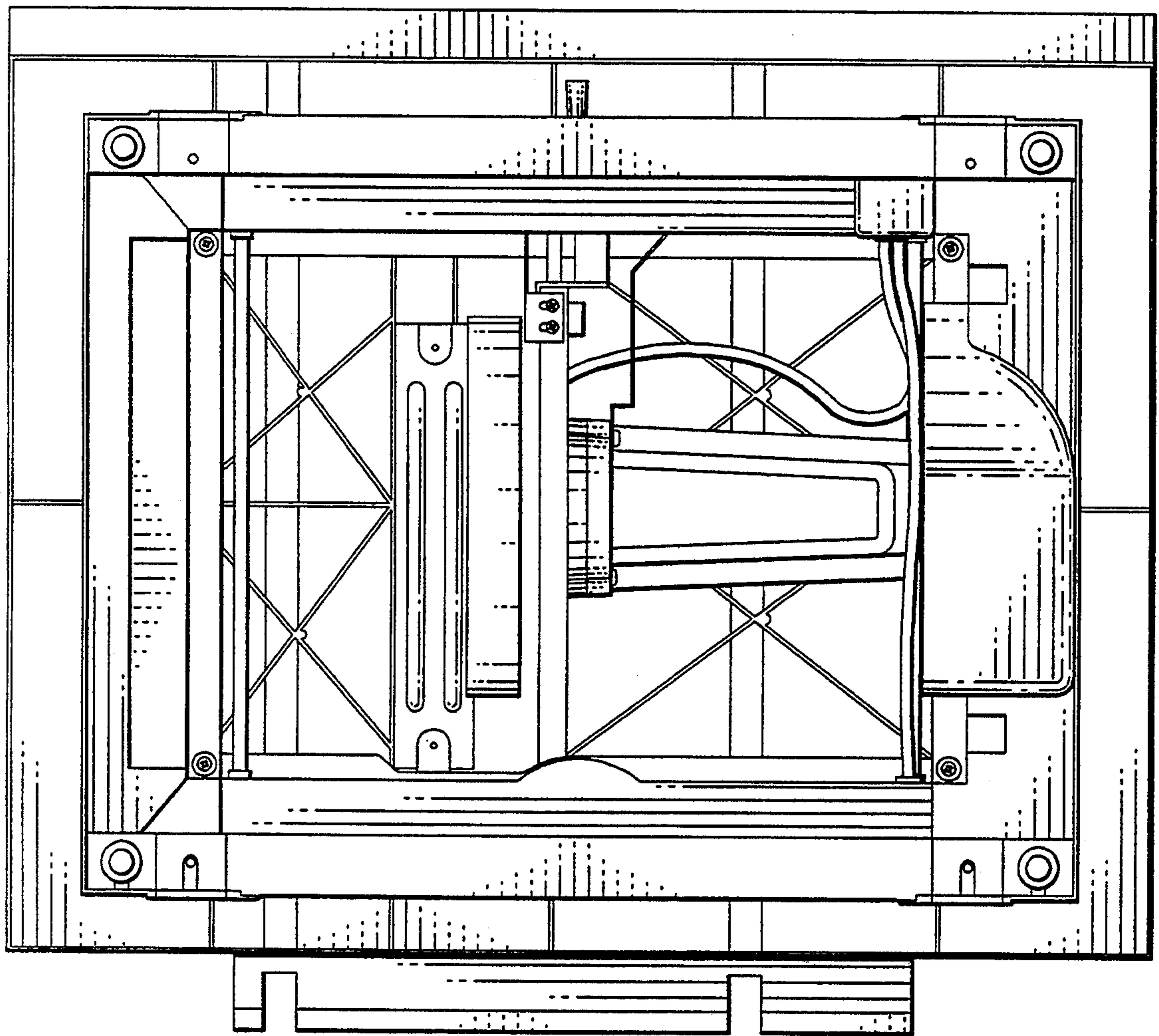


FIG. 7