



US00D354756S

# United States Patent [19]

[11] Patent Number: **Des. 354,756**

**Hinklin**

[45] Date of Patent: **\*\* Jan. 24, 1995**

[54] **LAWN AND GARDEN TRACTOR**

[75] Inventor: **Darrell W. Hinklin, Excelsior, Minn.**

[73] Assignee: **The Toro Company, Minneapolis, Minn.**

[\*\*] Term: **14 Years**

[21] Appl. No.: **7,380**

[22] Filed: **Apr. 21, 1993**

[52] U.S. Cl. .... **D15/15; D15/23**

[58] Field of Search ..... **D15/10, 14-18, D15/22-26; 56/13.4, 16.7, 17.5, 202, 255, 294, 320.1, 320.2; 180/89.1, 89.2, 900**

5,138,825 8/1992 Trefz et al. .... 56/202

### OTHER PUBLICATIONS

Advertisement for Noma riding lawnmower, *Lawn and Garden*, Feb. 1990, p. 18.

Implement & Tractor, Mar. 19, 1989 p. 13 Kubota Lawn Tractor.

John Deere Compact Tractor Brochure Aug. 1989 cover.

Sears Catalog, from Washington Post Oct. 9, 1991, Craftsman Gold Lawn Tractor p. 12B.

*Primary Examiner*—Bernard Ansher  
*Assistant Examiner*—Sandra Morris  
*Attorney, Agent, or Firm*—Donald S. Trevarthen

### [56] References Cited

#### U.S. PATENT DOCUMENTS

D. 210,521	3/1968	Dreyfuss et al. ....	D14/3
D. 213,682	4/1969	Clark et al. ....	D14/3
D. 216,011	11/1969	Lazzeroni ....	D14/3
D. 245,604	8/1977	Cognata et al. ....	D15/23
D. 248,397	7/1978	Cognata et al. ....	D15/15
D. 249,042	8/1978	Hinklin ....	D15/23
D. 285,078	8/1986	Mizushima et al. ....	D15/15
D. 297,538	9/1988	Ogasawara et al. ....	D15/15
D. 305,236	12/1989	Funabashi et al. ....	D15/23
D. 306,301	2/1990	Funabashi et al. ....	D15/23
D. 310,374	9/1990	Westimayer et al. ....	D15/23
D. 325,208	4/1992	Hosonuma ....	D15/15
D. 329,242	9/1992	Holm et al. ....	D15/17
D. 345,166	3/1994	Kamlukin et al. ....	D15/15
3,815,701	6/1974	Mayhew ....	180/69 C
4,969,533	11/1990	Holm et al. ....	180/273

### [57] CLAIM

The ornamental design for a lawn and garden tractor, as shown.

### DESCRIPTION

FIG. 1 is a perspective view of a lawn and garden tractor showing my new design;

FIG. 2 is a side elevational view of FIG. 1;

FIG. 3 is a top plan view of FIG. 1;

FIG. 4 is a front elevational view of FIG. 1;

FIG. 5 is a rear elevational view of FIG. 1;

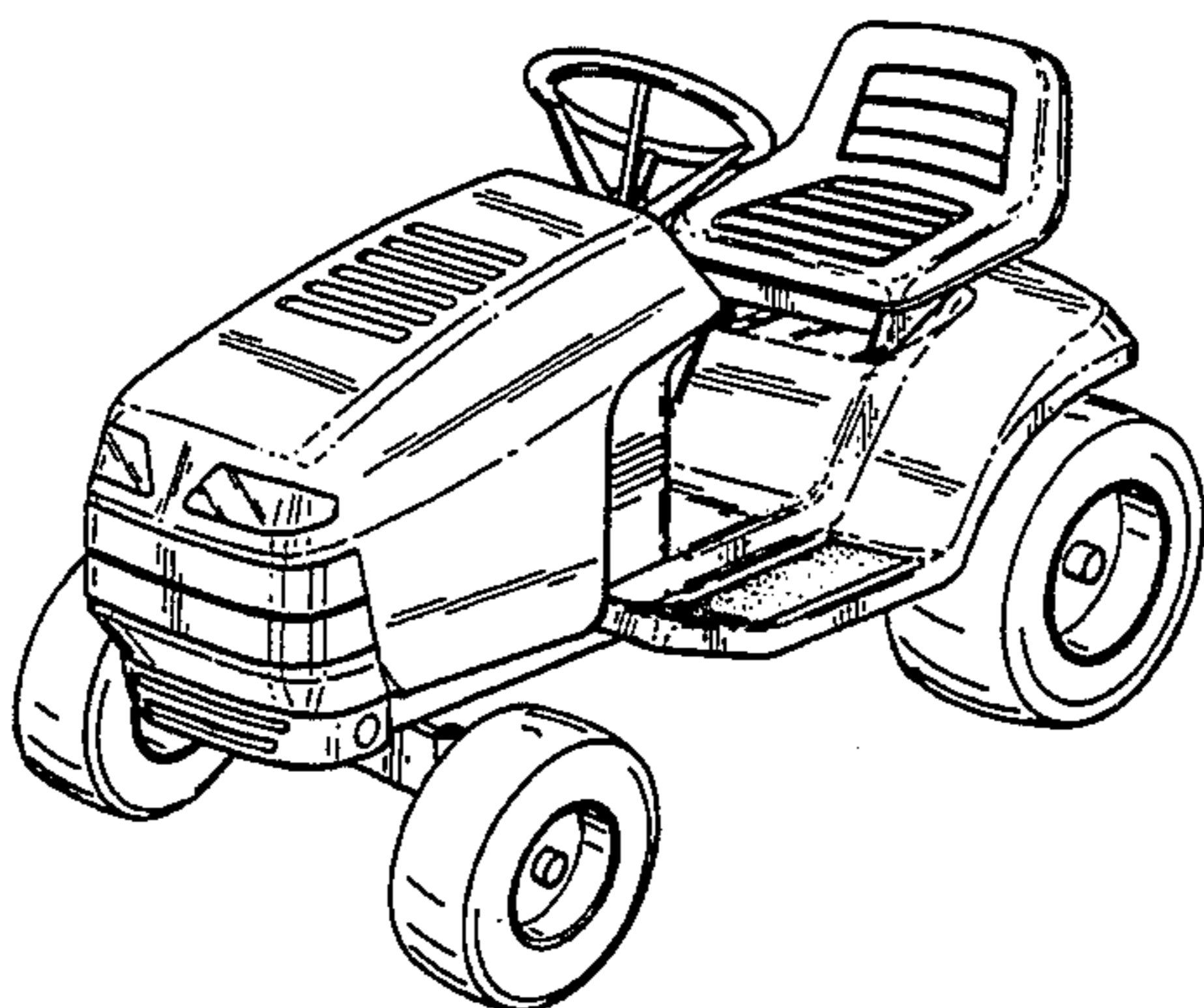
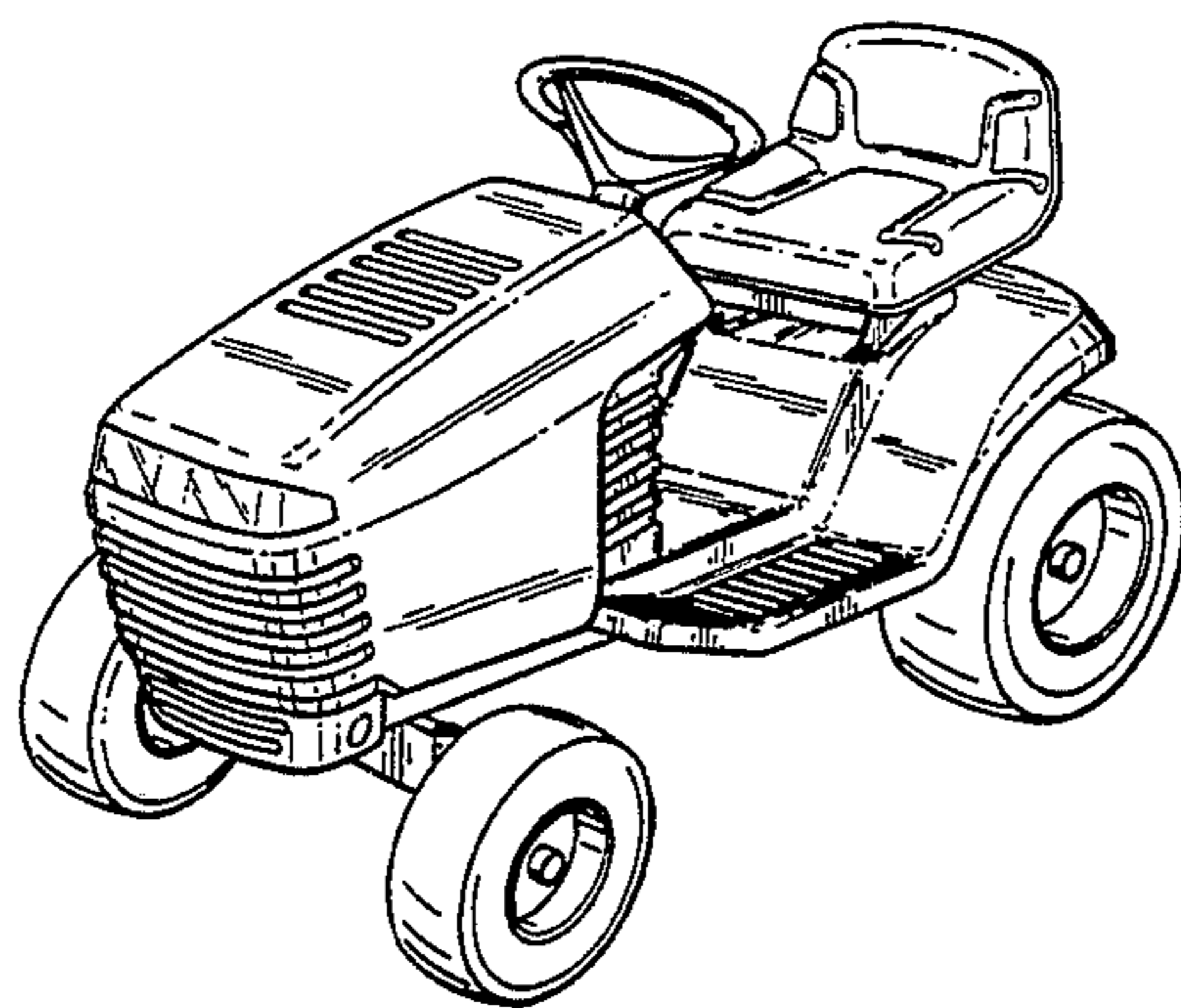
FIG. 6 is a perspective view of a second embodiment of a lawn and garden tractor showing my new design;

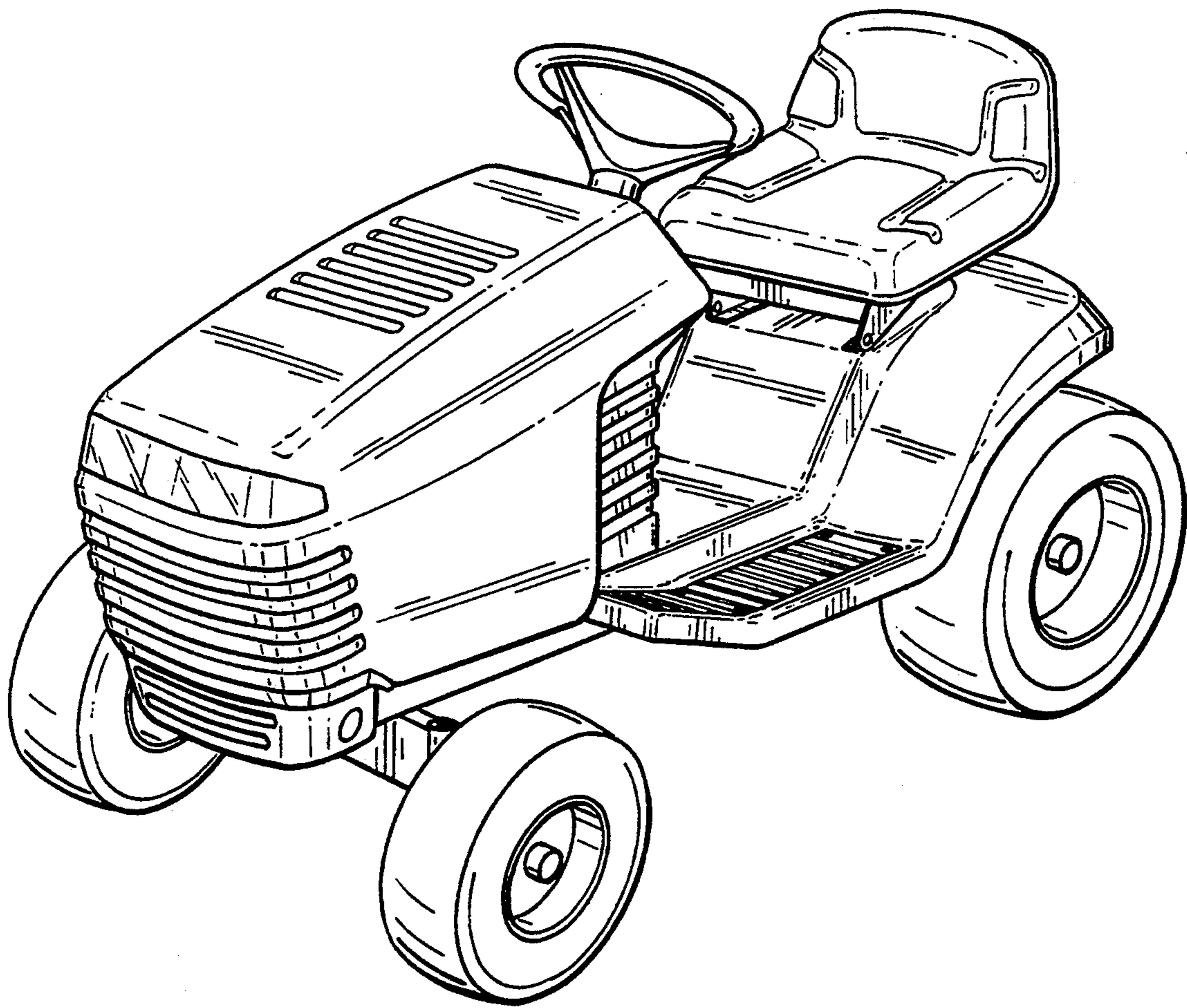
FIG. 7 is a side elevational view of FIG. 6;

FIG. 8 is a top plan view of FIG. 6;

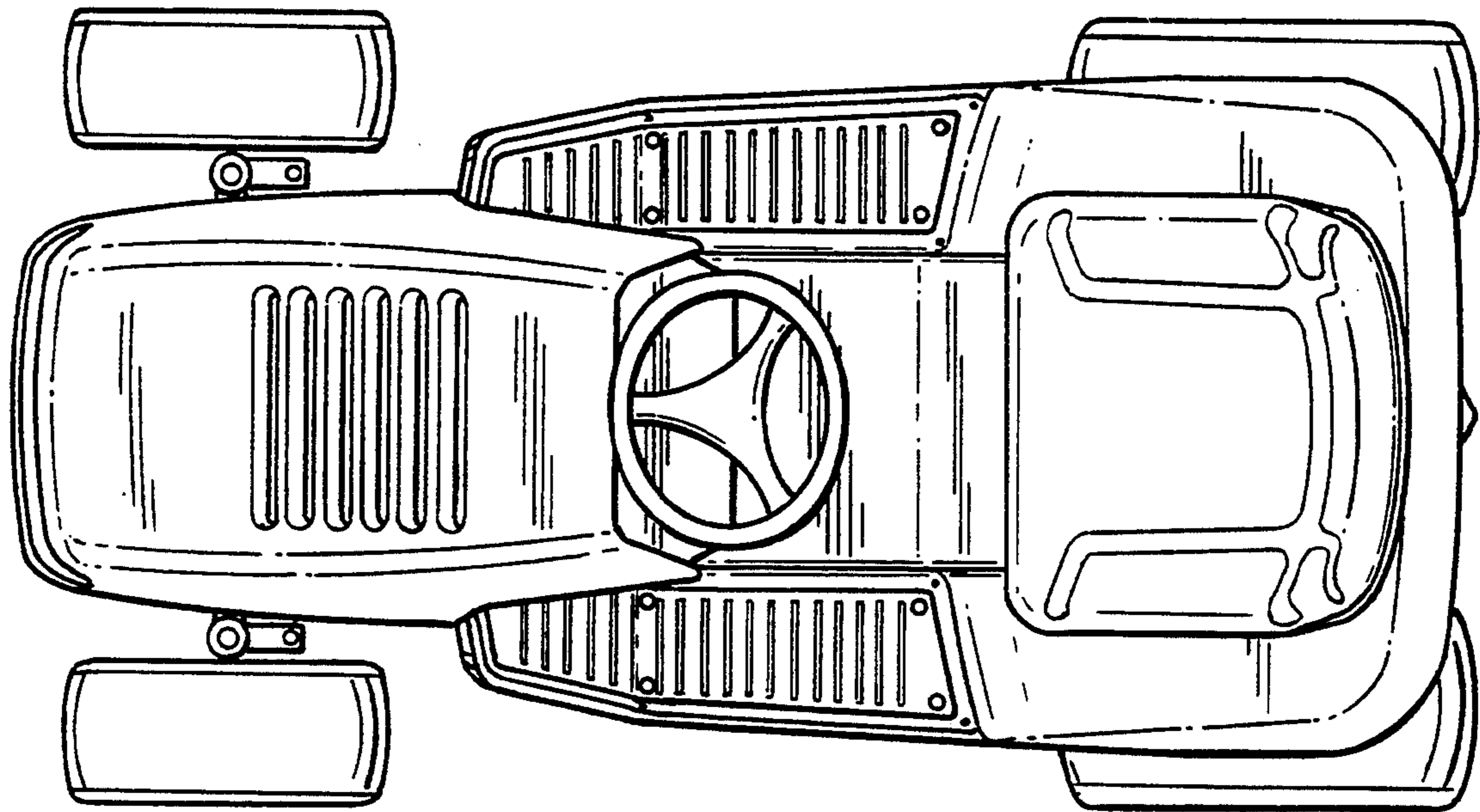
FIG. 9 is a front elevational view of FIG. 6; and,

FIG. 10 is a rear elevational view of FIG. 6.

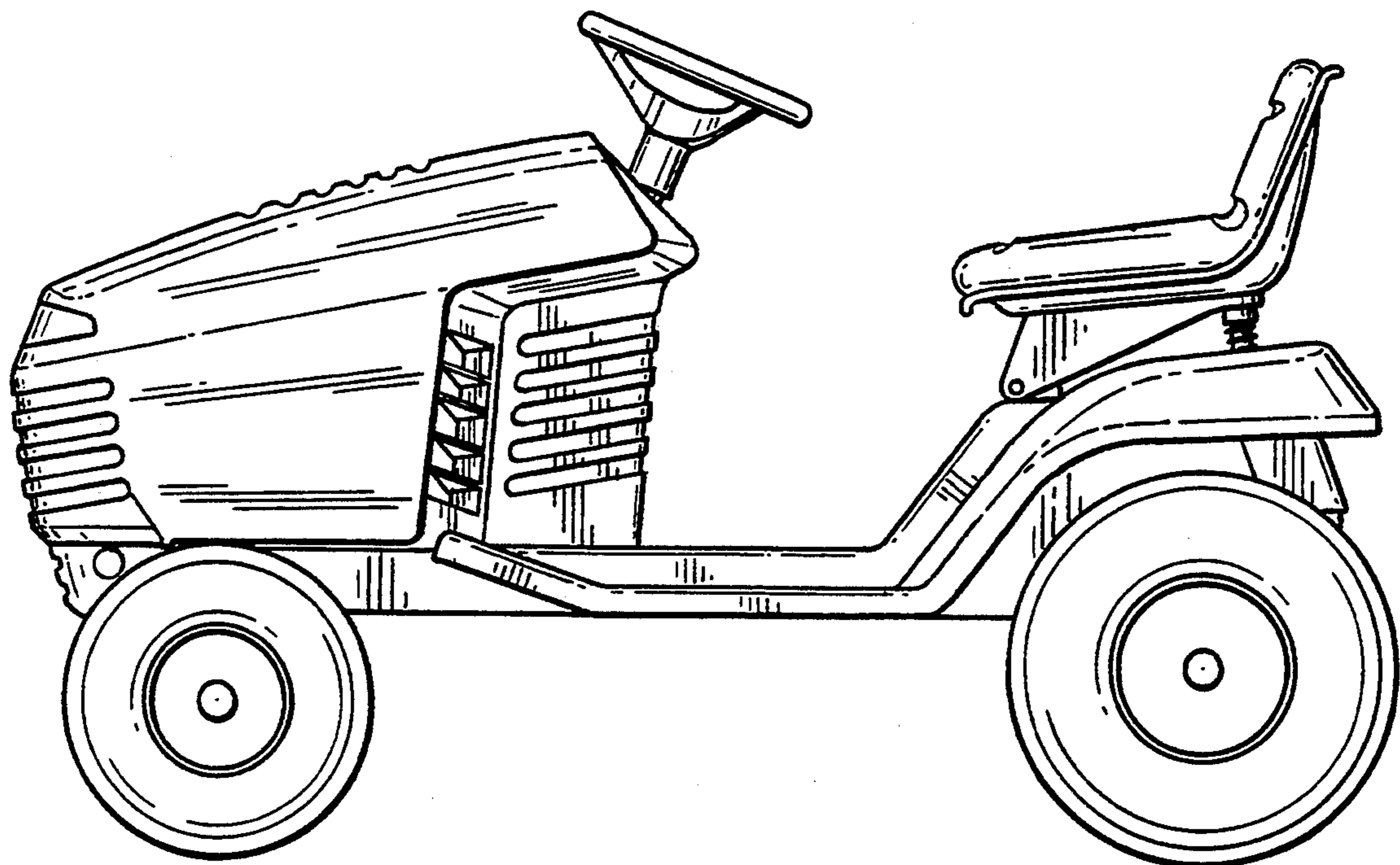




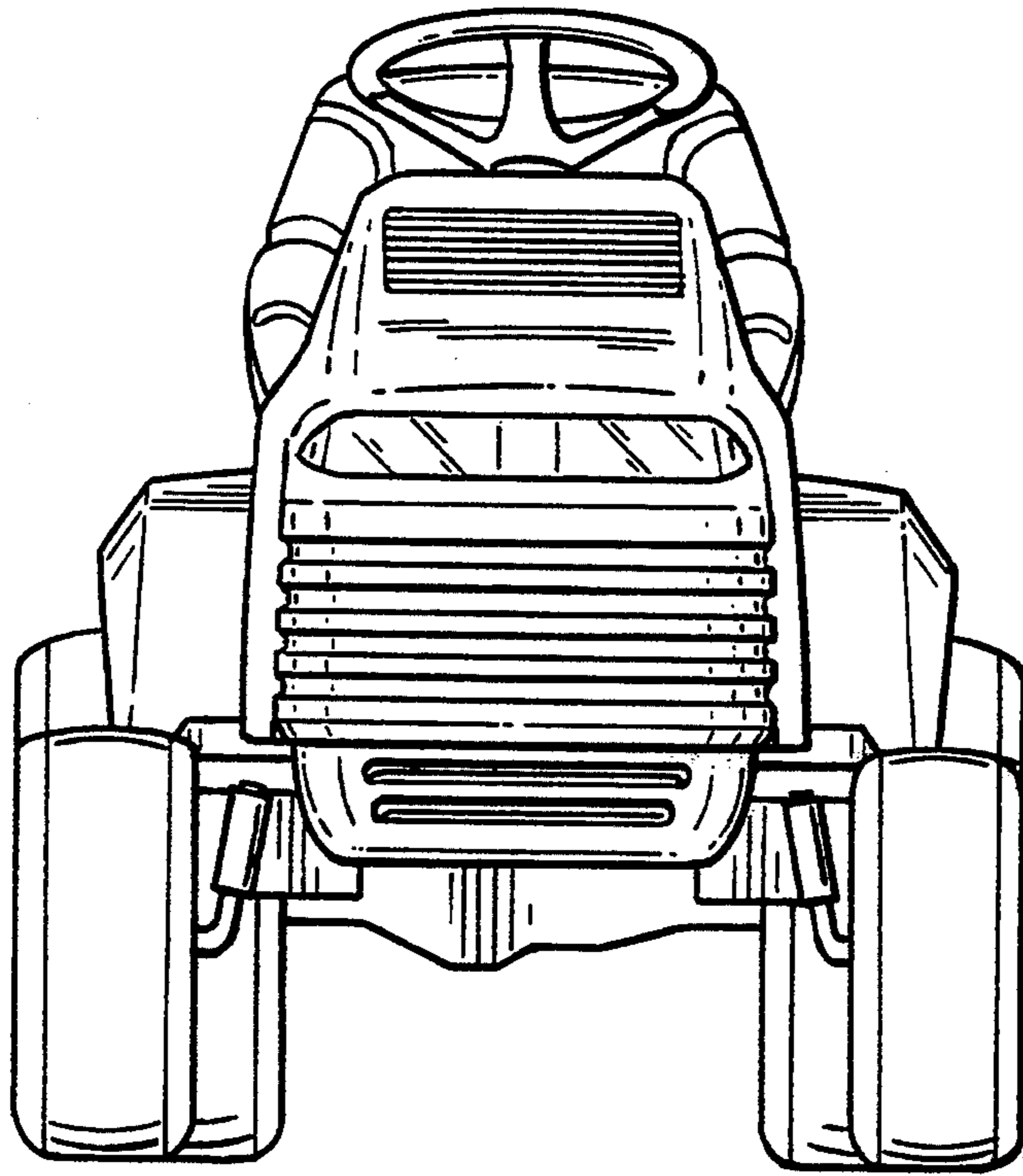
*FIG. 1*



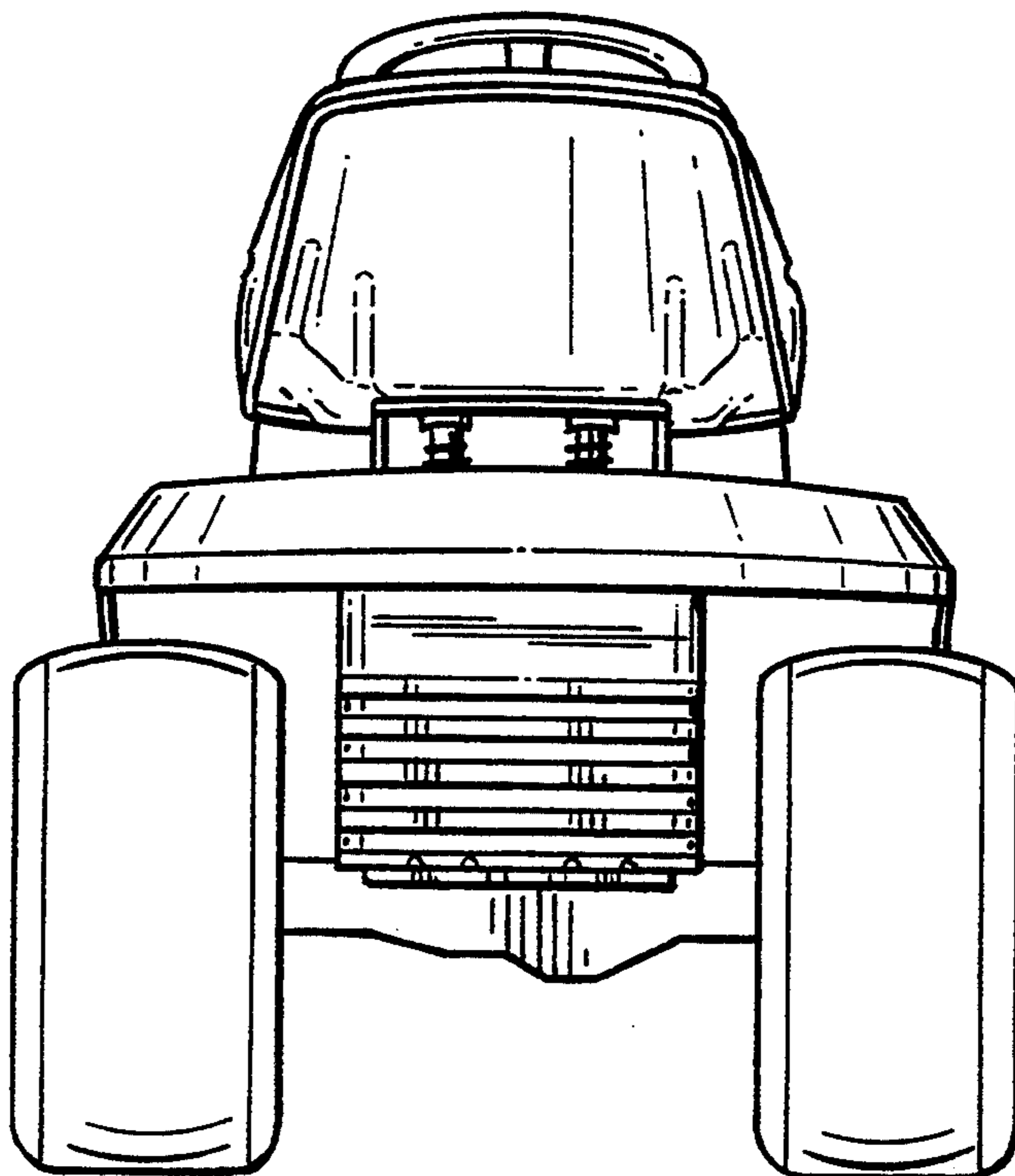
*FIG. 3*



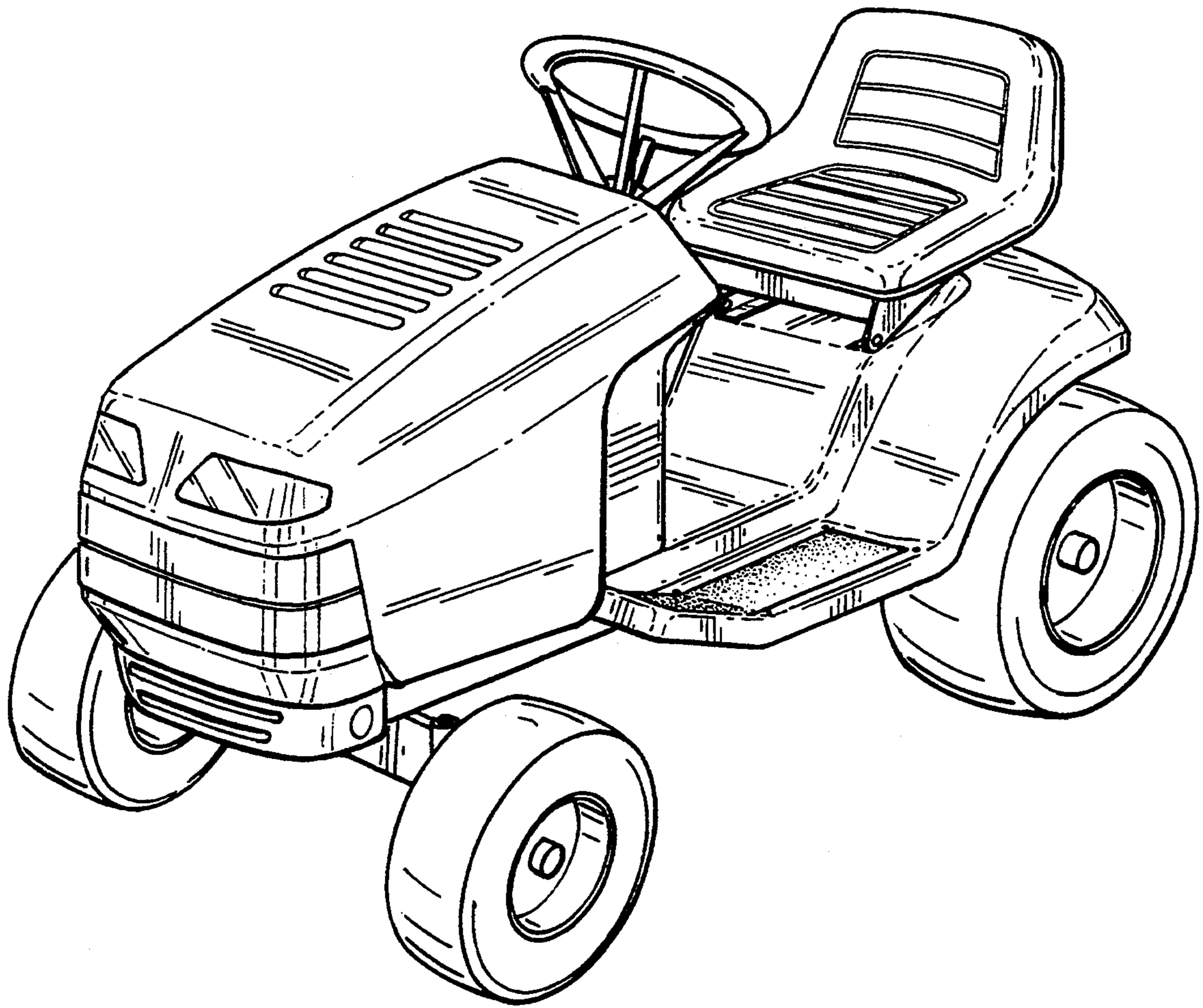
*FIG. 2*



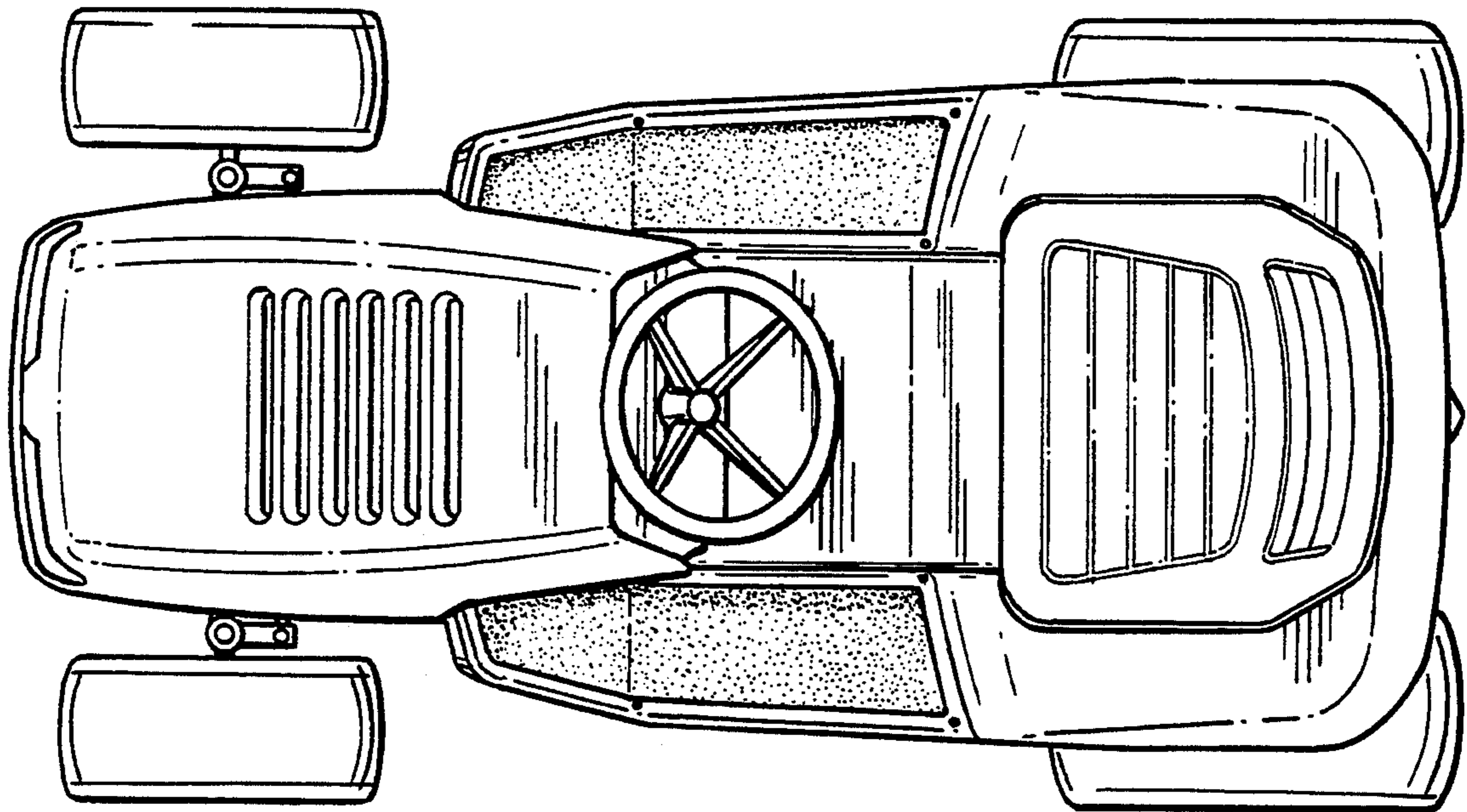
*FIG. 4*



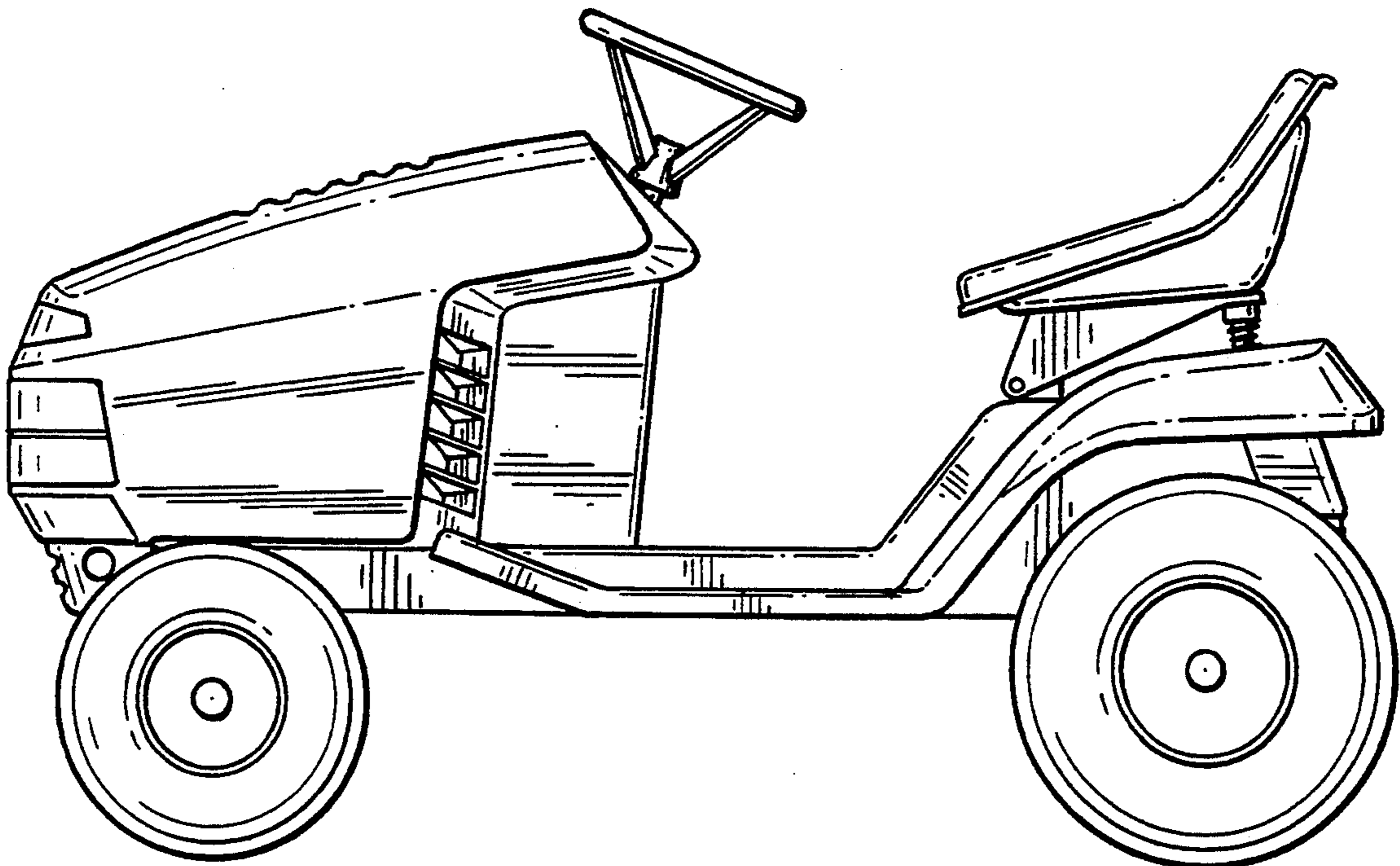
*FIG. 5*



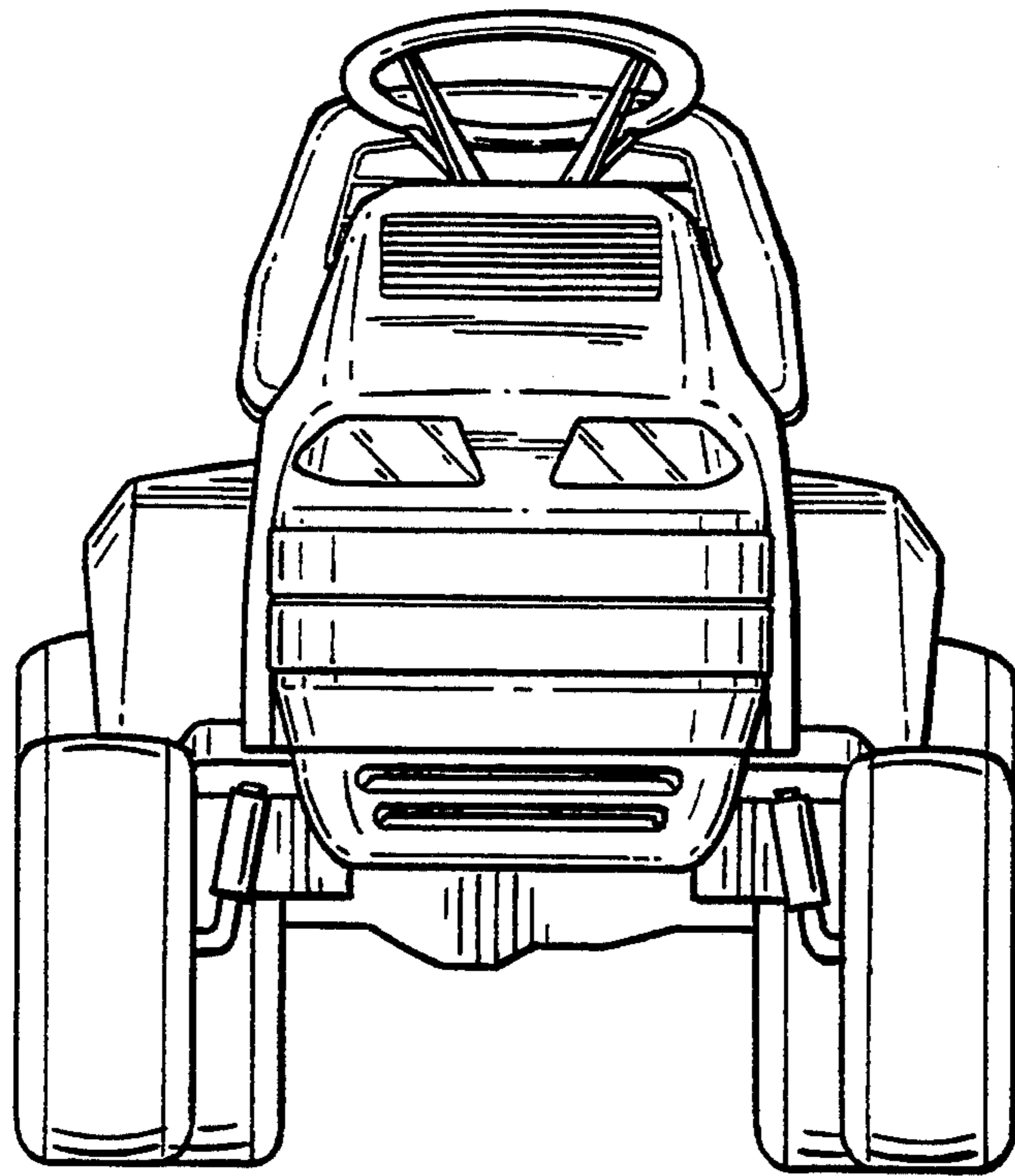
**FIG. 6**



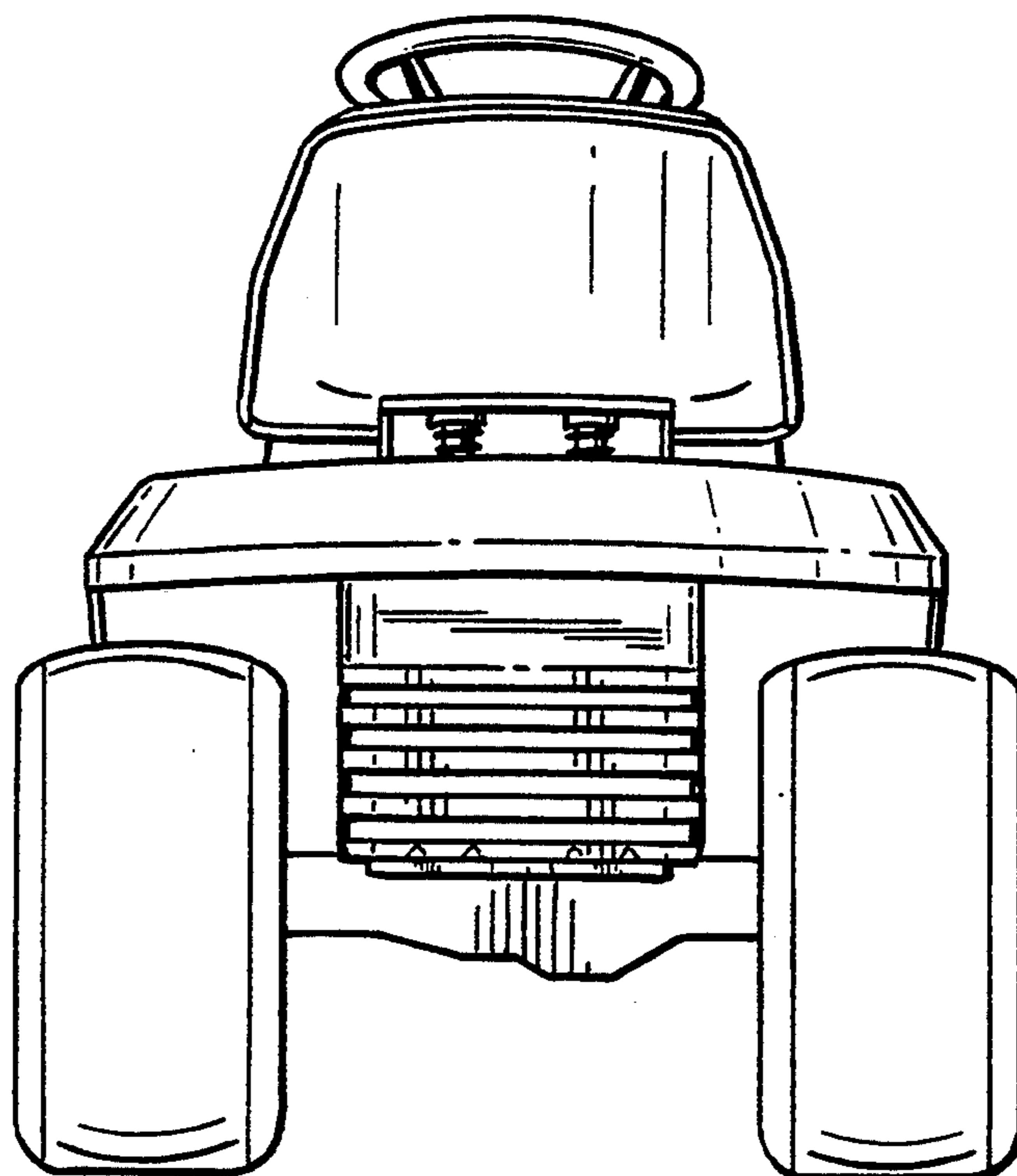
*FIG. 8*



*FIG. 7*



*FIG. 9*



*FIG. 10*