



US00D354754S

United States Patent [19] Broughton

[11] Patent Number: **Des. 354,754**

[45] Date of Patent: **** Jan. 24, 1995**

[54] **CONDENSATE PUMP**

[75] Inventor: **Steven L. Broughton, Duncanville, Tex.**

[73] Assignee: **Beckett Corporation, Dallas, Tex.**

[**] Term: **14 Years**

[21] Appl. No.: **12,467**

[22] Filed: **Sep. 3, 1993**

[52] U.S. Cl. **D15/7**

[58] Field of Search **D15/7-9.1; 417/360, 362**

D. 306,448 3/1990 Lannoch D15/7
3,758,236 9/1973 Zimmerman 417/360

Primary Examiner—Ralf T. Seifert
Attorney, Agent, or Firm—Richards, Medlock & Andrews

[57] CLAIM

The ornamental design for a condensate pump, as shown and described.

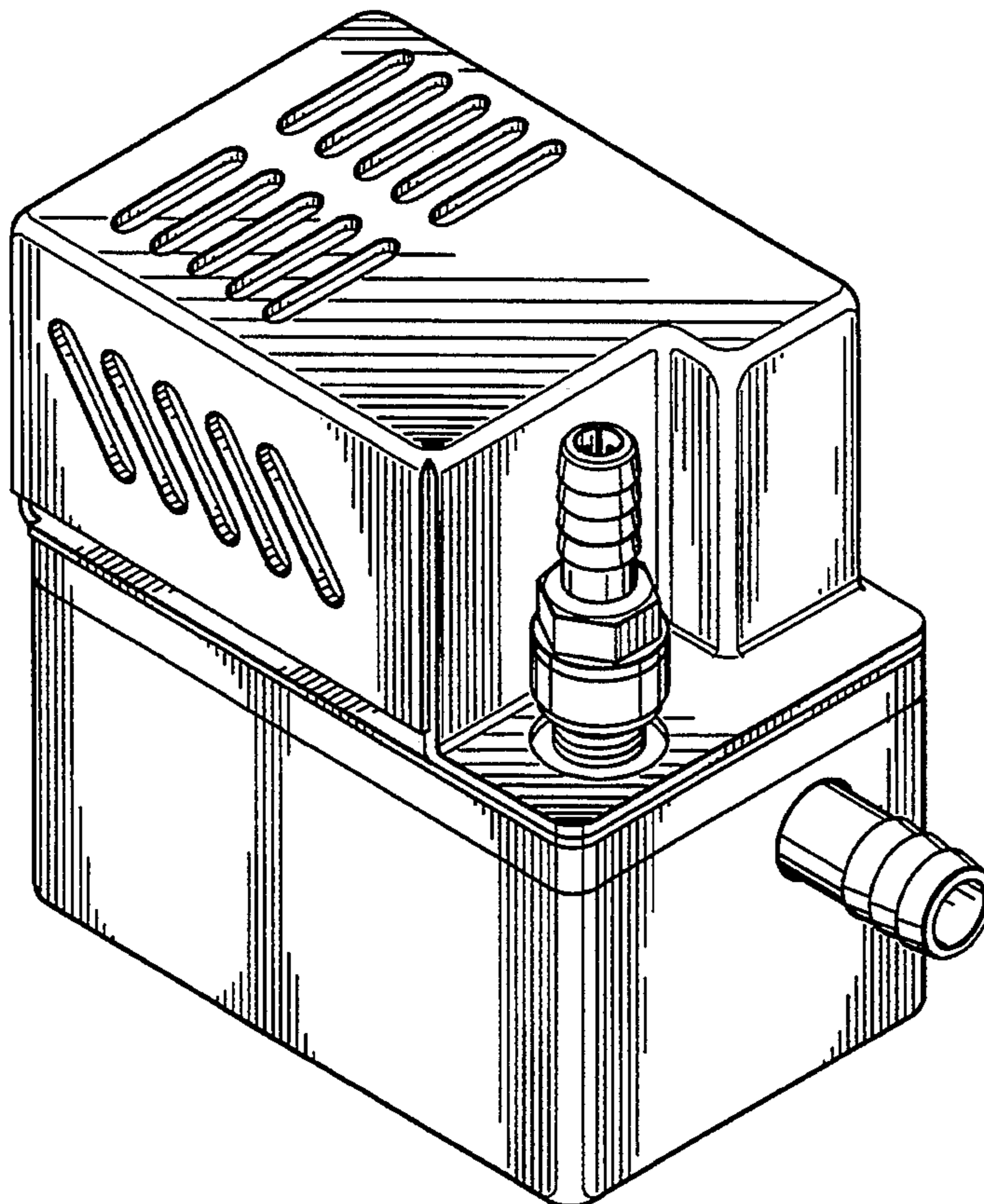
DESCRIPTION

FIG. 1 is a perspective view of the condensate pump; FIG. 2 is a side view of the condensate pump; FIG. 3 is front view of the condensate pump; FIG. 4 is a top view of the condensate pump; FIG. 5 is a side view of the condensate pump; FIG. 6 is a back view of the condensate pump; and, FIG. 7 is a bottom view of the condensate pump.

[56] References Cited

U.S. PATENT DOCUMENTS

D. 227,307 6/1973 Wells D15/7



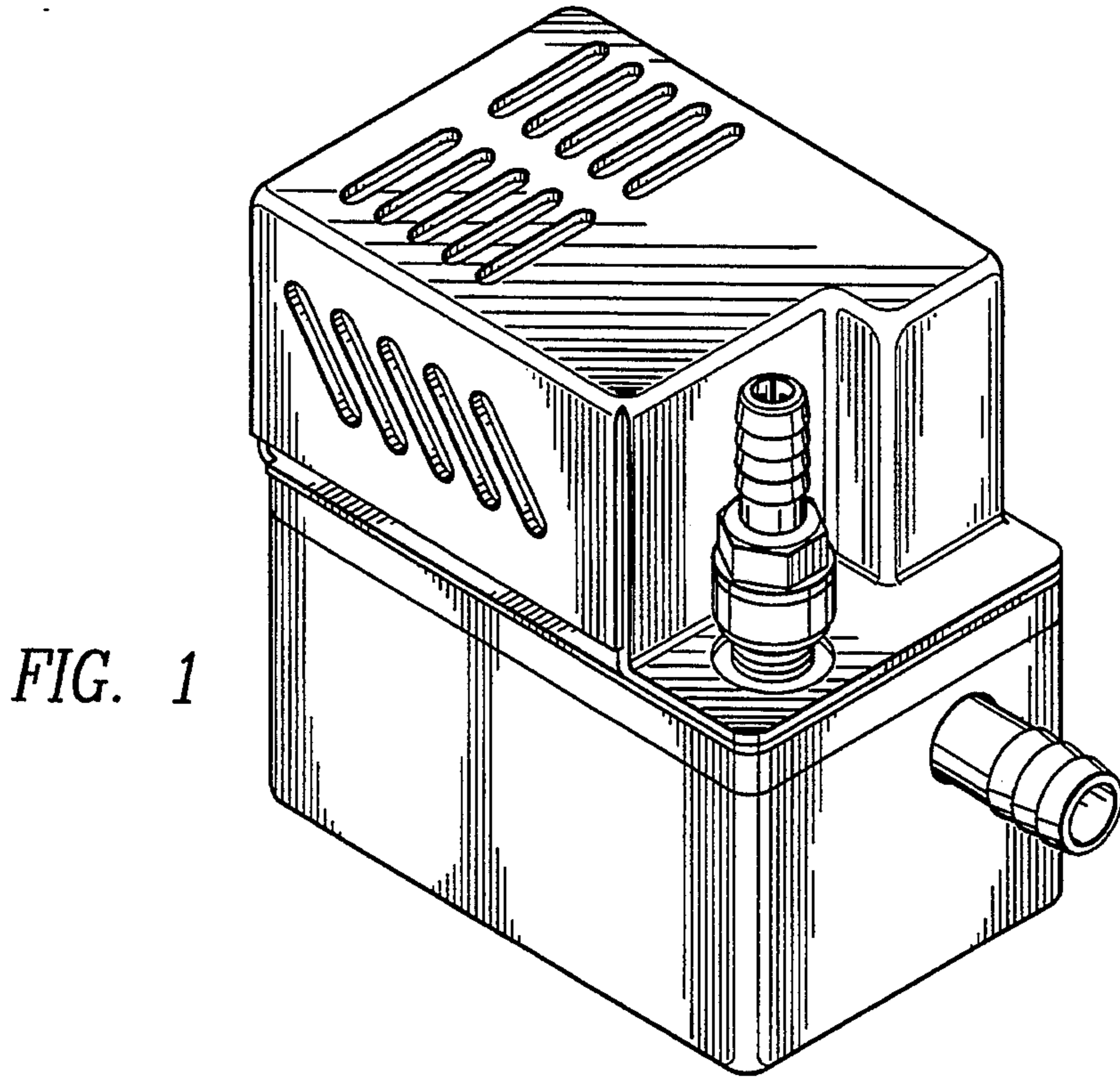


FIG. 1

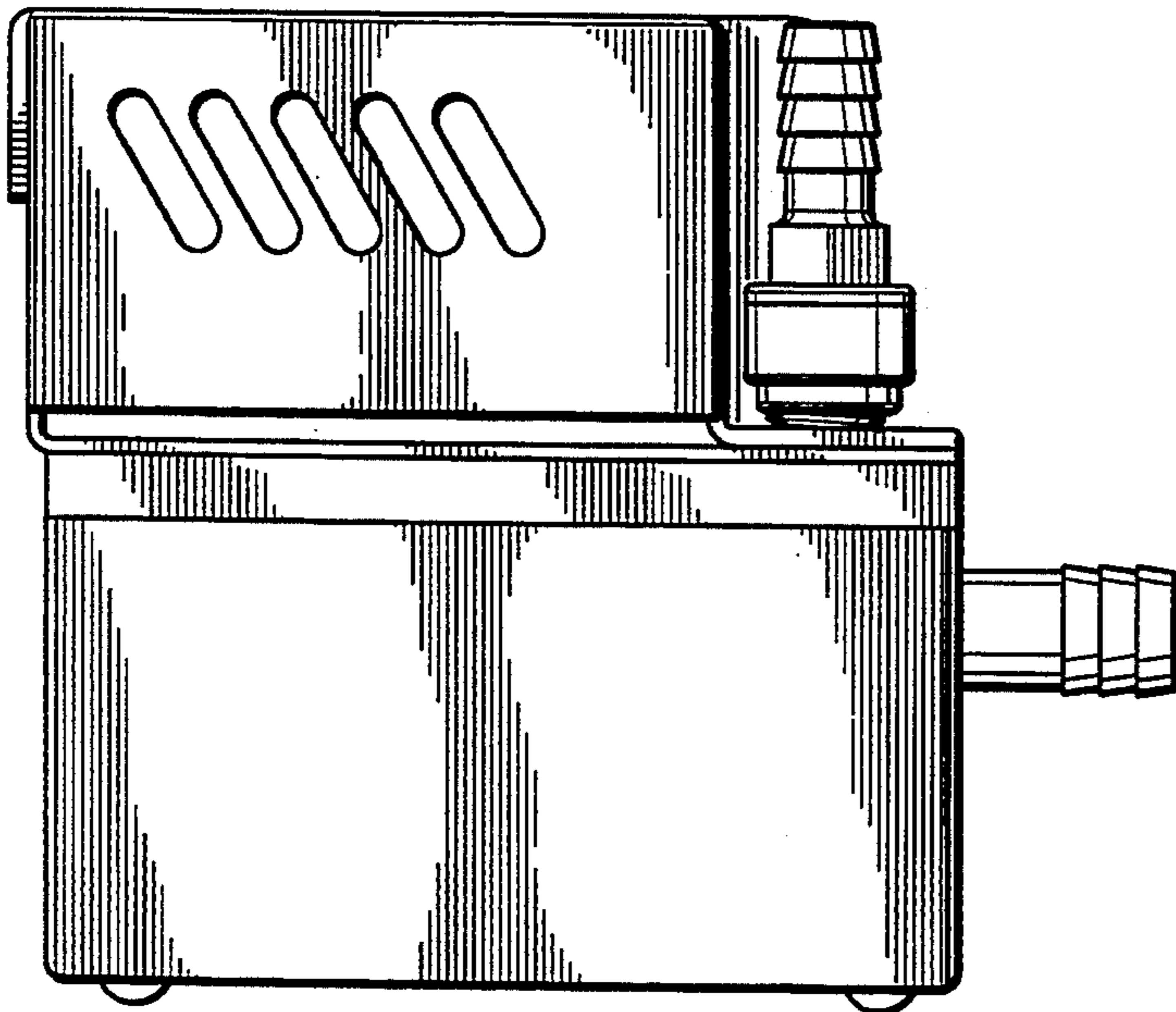


FIG. 2

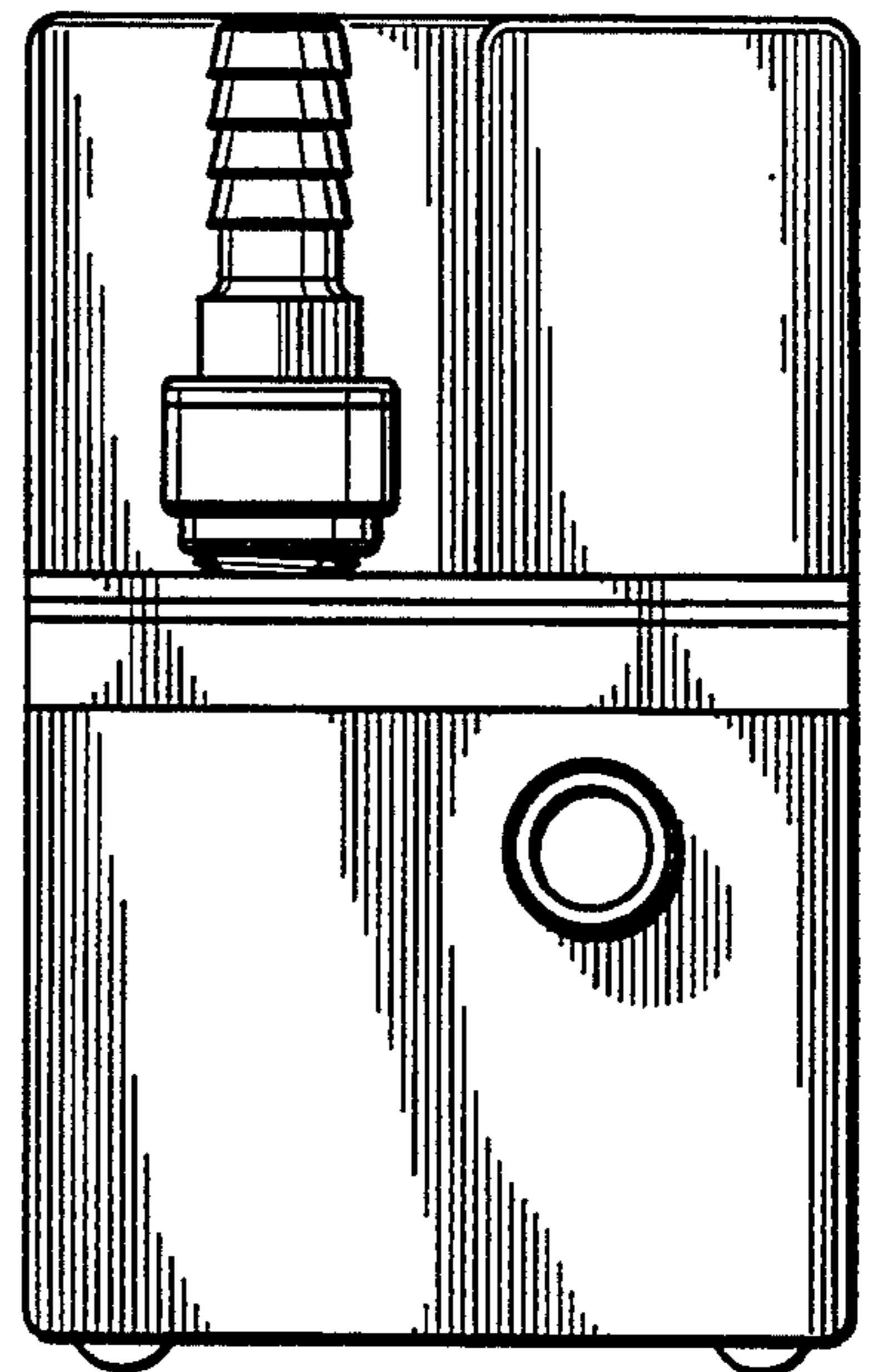


FIG. 3

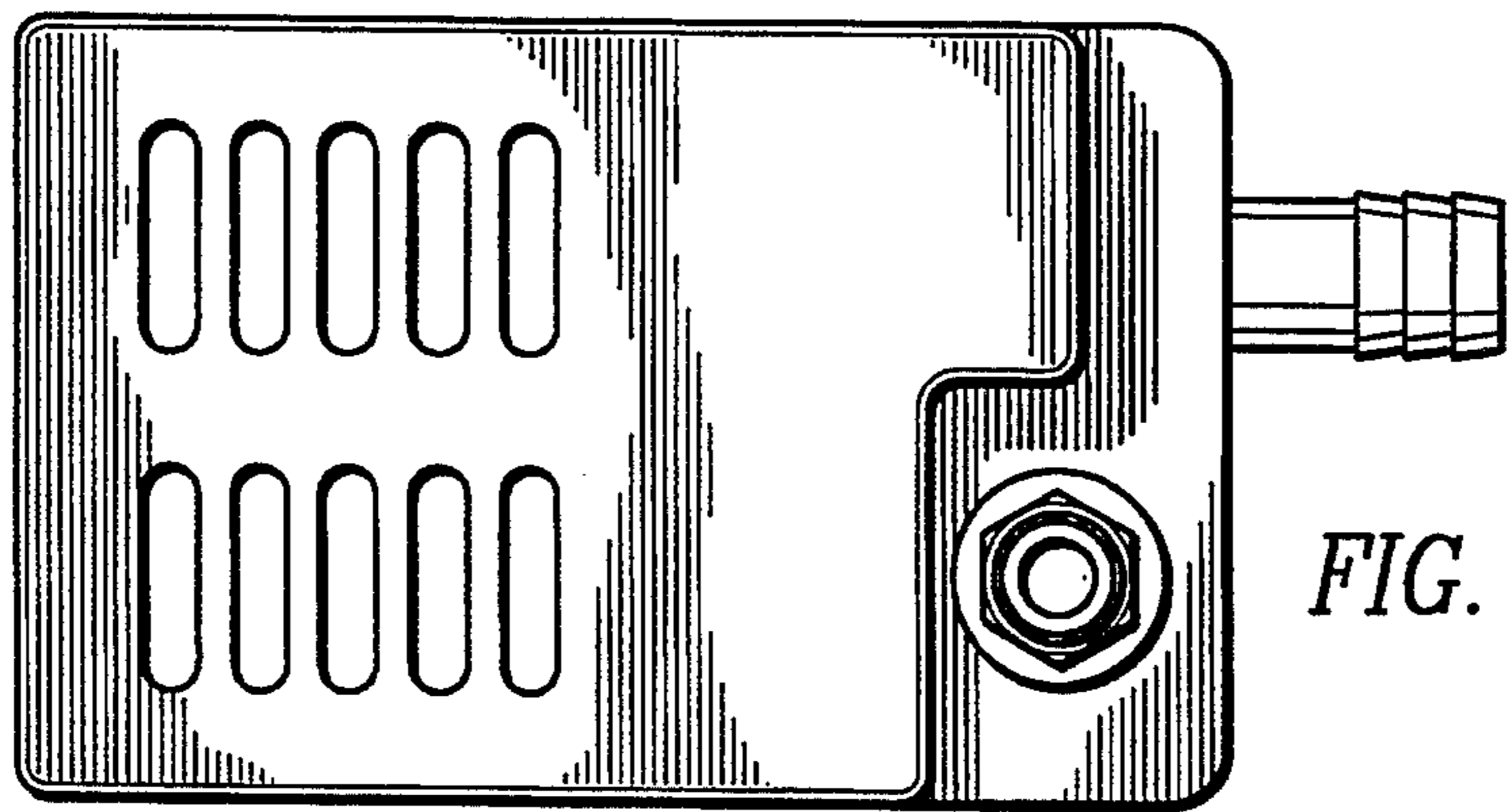


FIG. 4

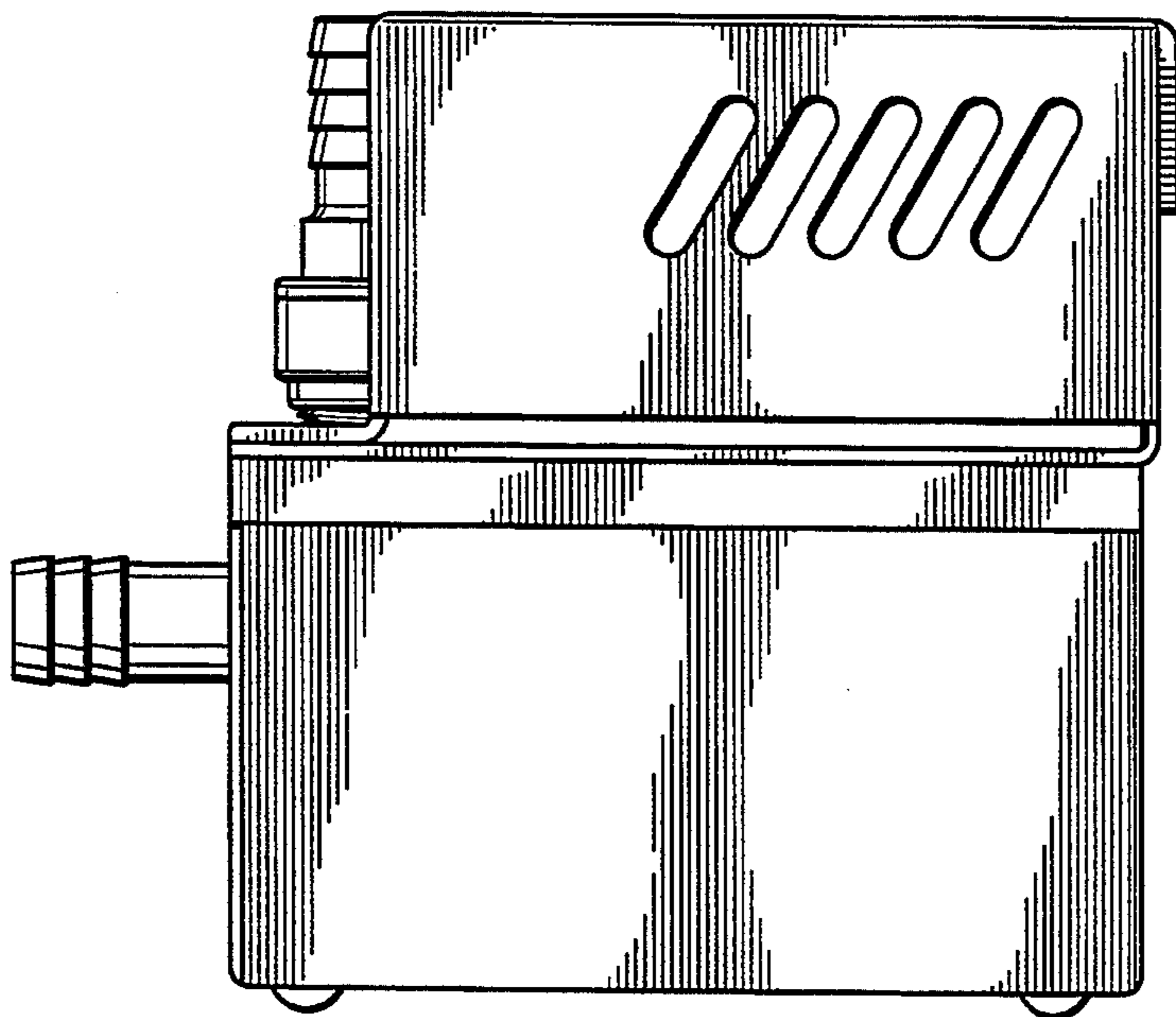


FIG. 5

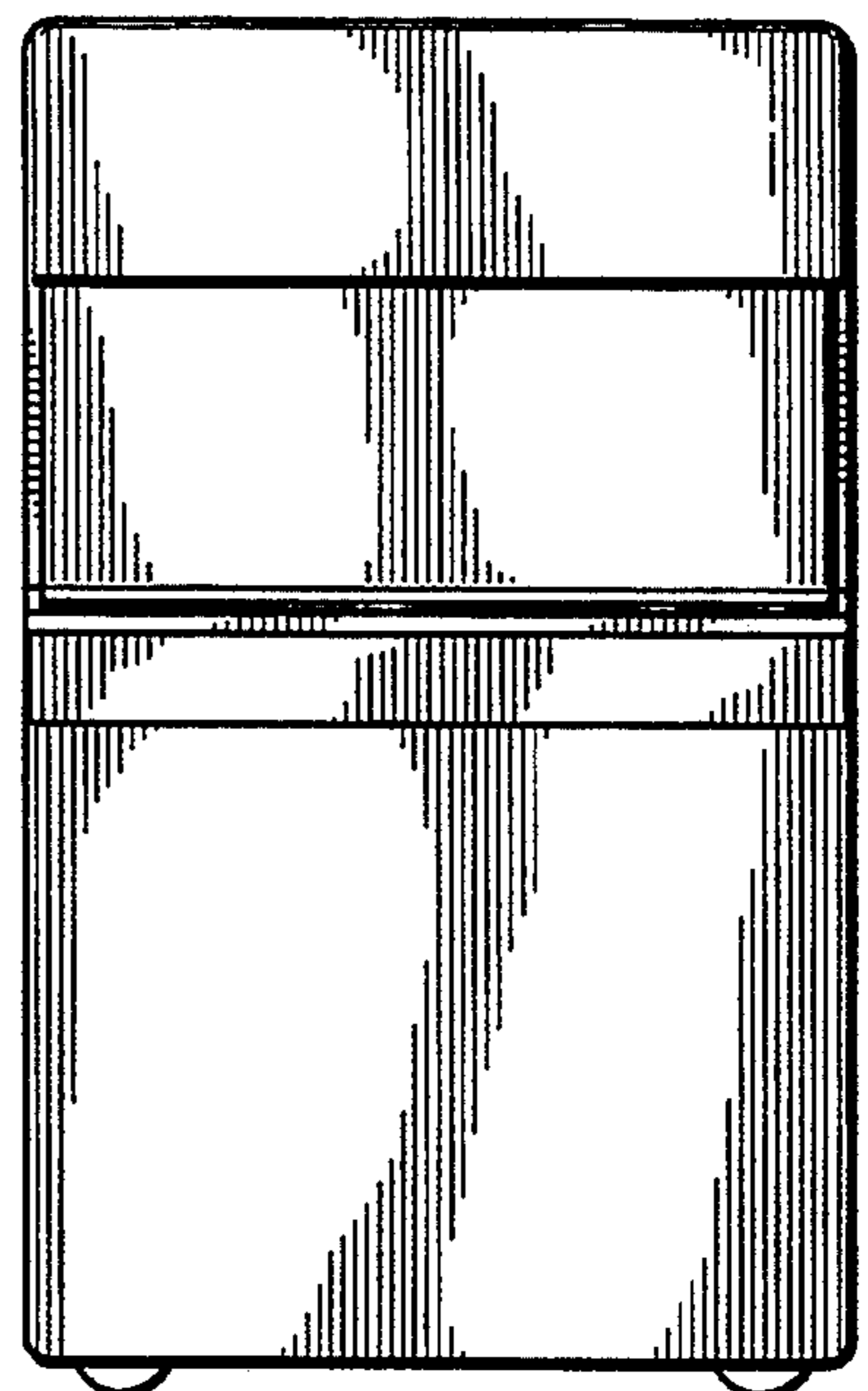


FIG. 6

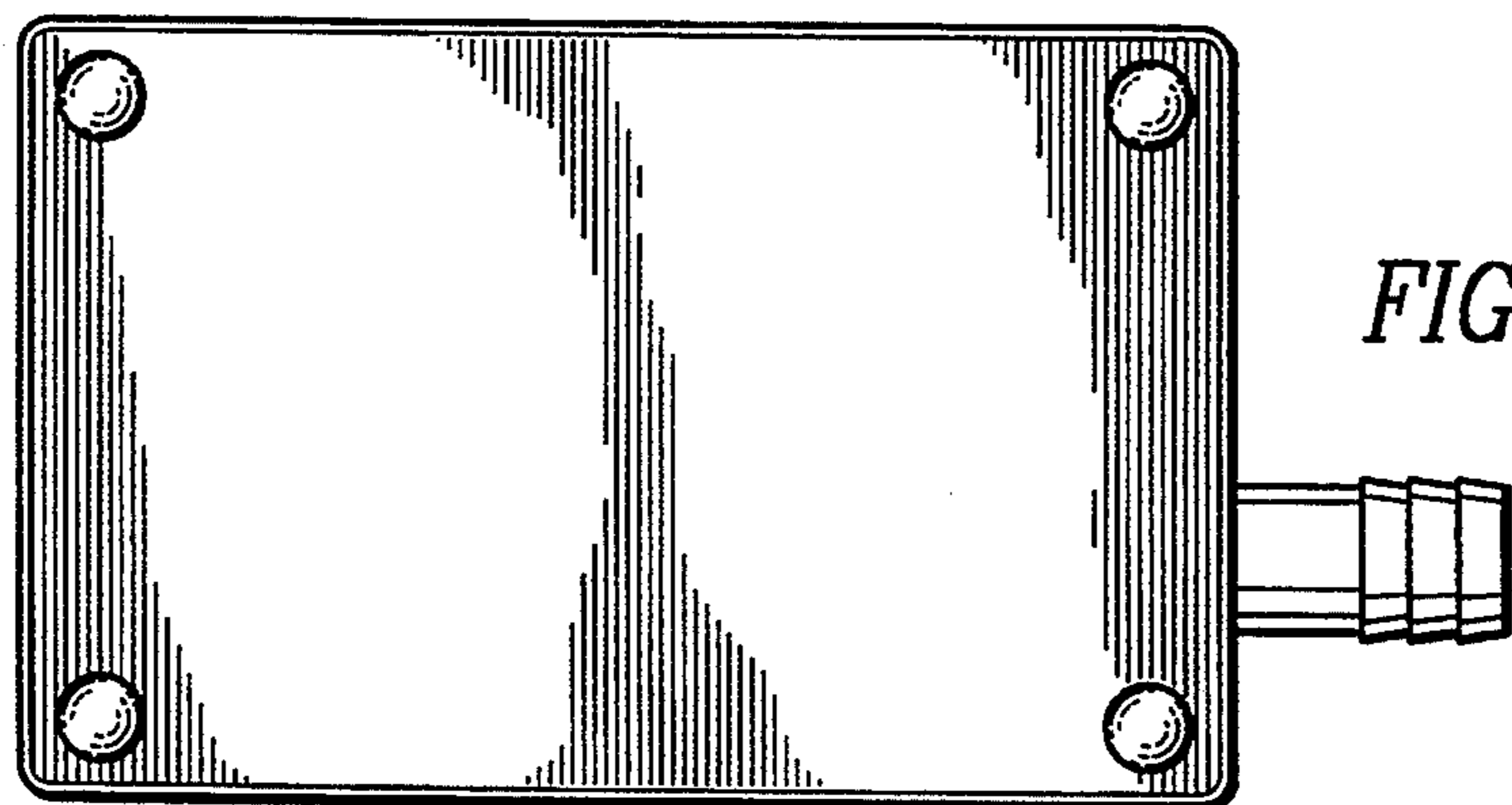


FIG. 7