



US00D354753S

# United States Patent [19]

Turner, III et al.

[11] Patent Number: **Des. 354,753**

[45] Date of Patent: **\*\* Jan. 24, 1995**

[54] **COMBINED PRESSURE WASHER MOTOR AND PUMP**

[75] Inventors: **Elbert D. Turner, III**, Charlotte, N.C.; **Henry K. Arnette**, Fort Mill, S.C.; **Jan J. Reiss**, Matthews, N.C.; **Graylon D. Smith**, Fort Mill, S.C.

[73] Assignee: **Textron Inc.**, Providence, R.I.

[\*\*] Term: **14 Years**

[21] Appl. No.: **516**

[22] Filed: **Oct. 16, 1992**

[52] U.S. Cl. .... **D15/7**

[58] Field of Search ..... **D15/7-9.1;**  
417/234, 410, 423.14

3,997,114	12/1976	Hewett .....	239/127
4,568,011	2/1986	DeArmitt et al. ....	228/20
4,651,929	3/1987	Kranzle .....	239/288
4,784,330	11/1988	Hammelmann .....	239/526
4,810,169	3/1989	Kranzle .....	417/63
4,850,513	7/1989	Porter .....	222/1
4,925,105	5/1990	Lin .....	239/154
5,040,950	8/1991	Dalquist, III et al. ....	417/234

### OTHER PUBLICATIONS

Homelite Outdoor Power Equipment Catalog, 1989-1990, two pages.

*Primary Examiner*—Ralf T. Seifert  
*Attorney, Agent, or Firm*—Perman & Green

### [57] CLAIM

The ornamental design for a combined pressure washer motor and pump, as shown and described.

### DESCRIPTION

FIG. 1 is a front and left side perspective view of a combined pressure washer motor and pump, showing our new design;

FIG. 2 is a front elevational view thereof;

FIG. 3 is a rear elevational view thereof;

FIG. 4 is a top plan view thereof;

FIG. 5 is a right side elevational view thereof;

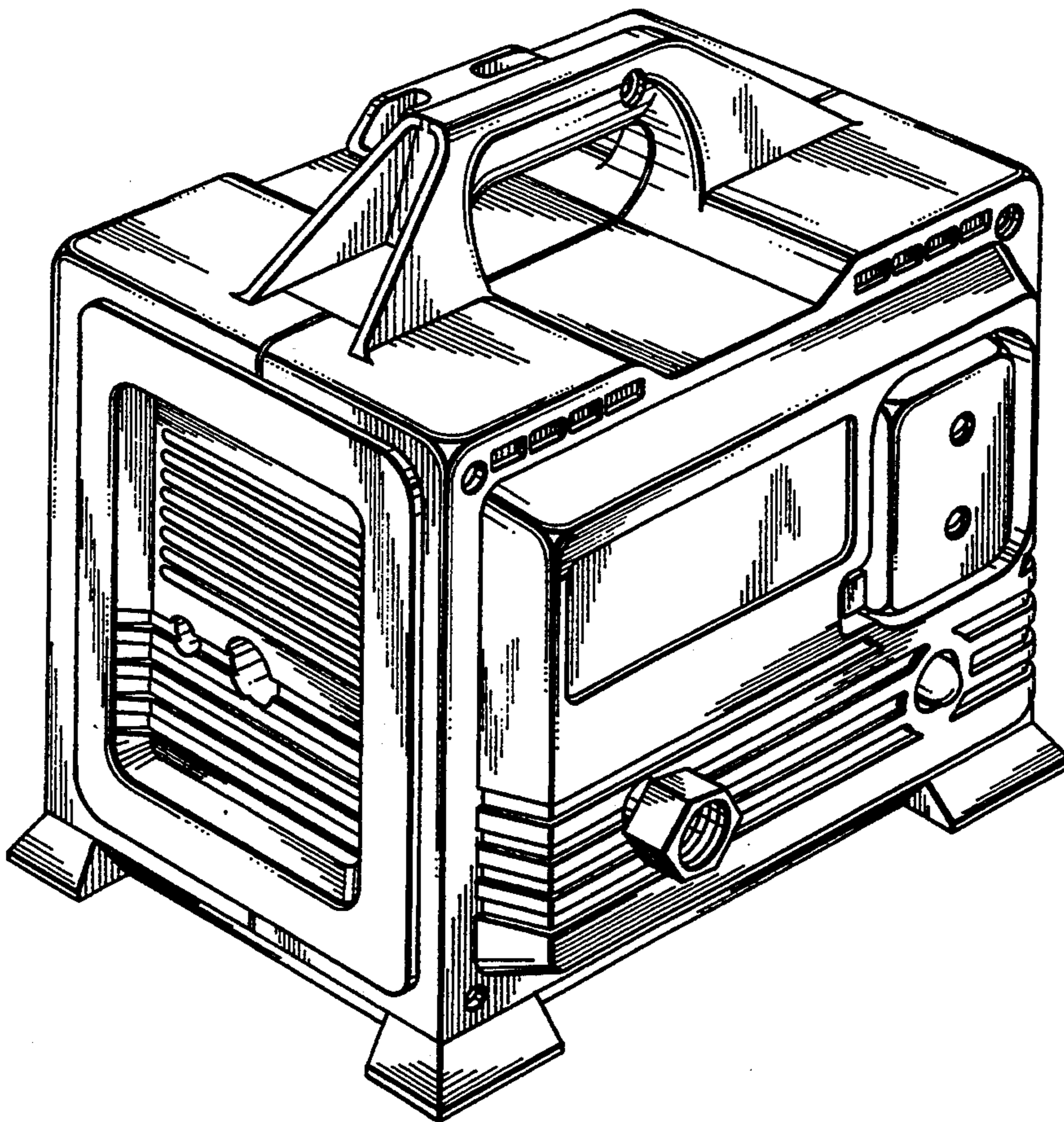
FIG. 6 is a left side elevational view thereof; and,

FIG. 7 is a rear and right side perspective view thereof.

### [56] References Cited

#### U.S. PATENT DOCUMENTS

D. 205,975	10/1966	Sato .	
D. 236,163	7/1975	Manno .....	D83/1 F
D. 263,958	4/1982	Pelly .....	D15/7
D. 310,348	9/1990	Higuchi et al. ....	D13/114
3,128,949	4/1964	Kaufman .....	239/312
3,447,753	6/1969	Proctor et al. ....	239/317
3,632,046	1/1972	Hengesbach .....	239/318
3,829,023	8/1974	Bouillard et al. ....	239/318
3,885,739	5/1975	Tuttle .....	239/124
3,904,116	9/1975	Jones et al. ....	239/127



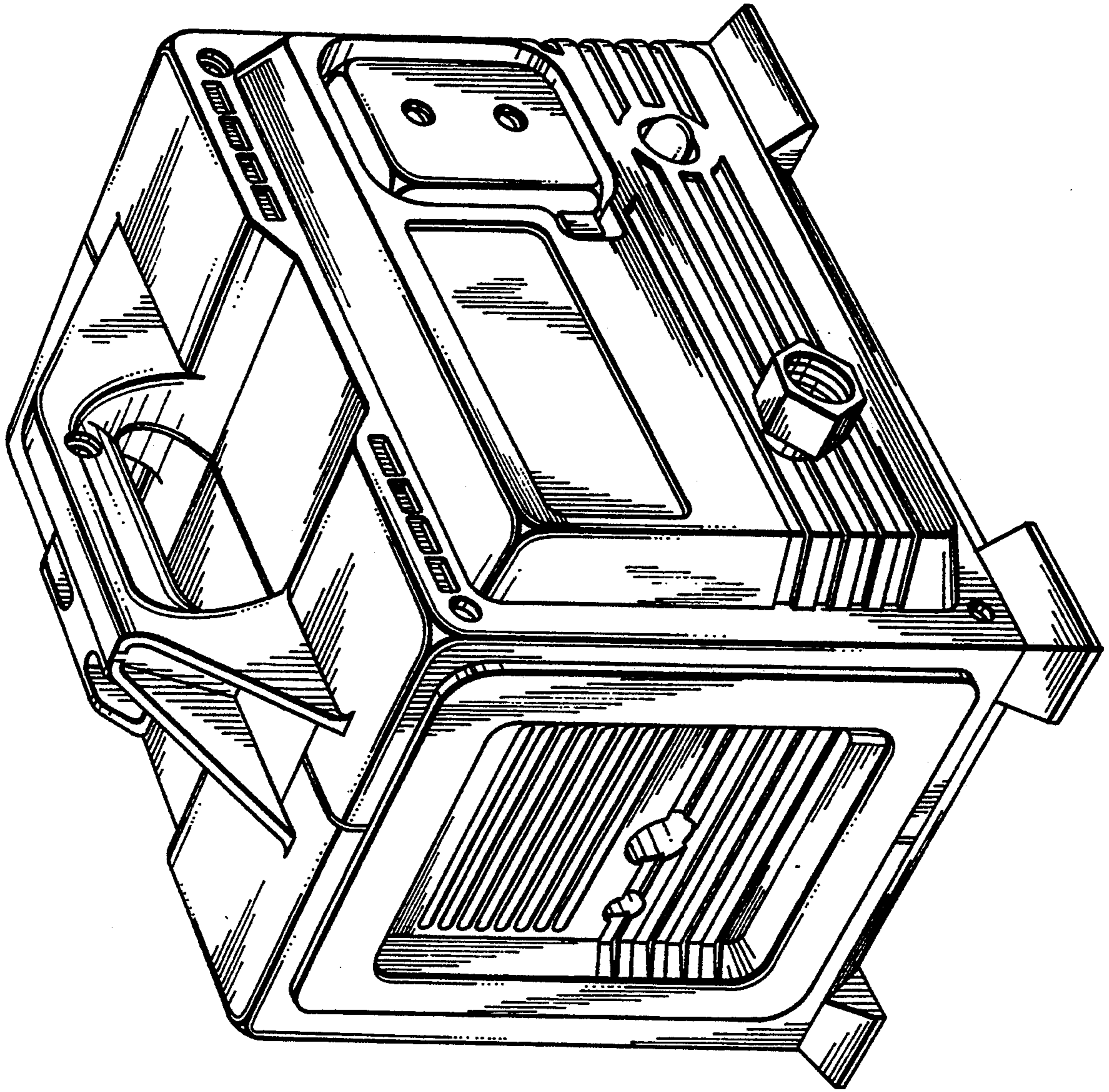


FIG. 1.

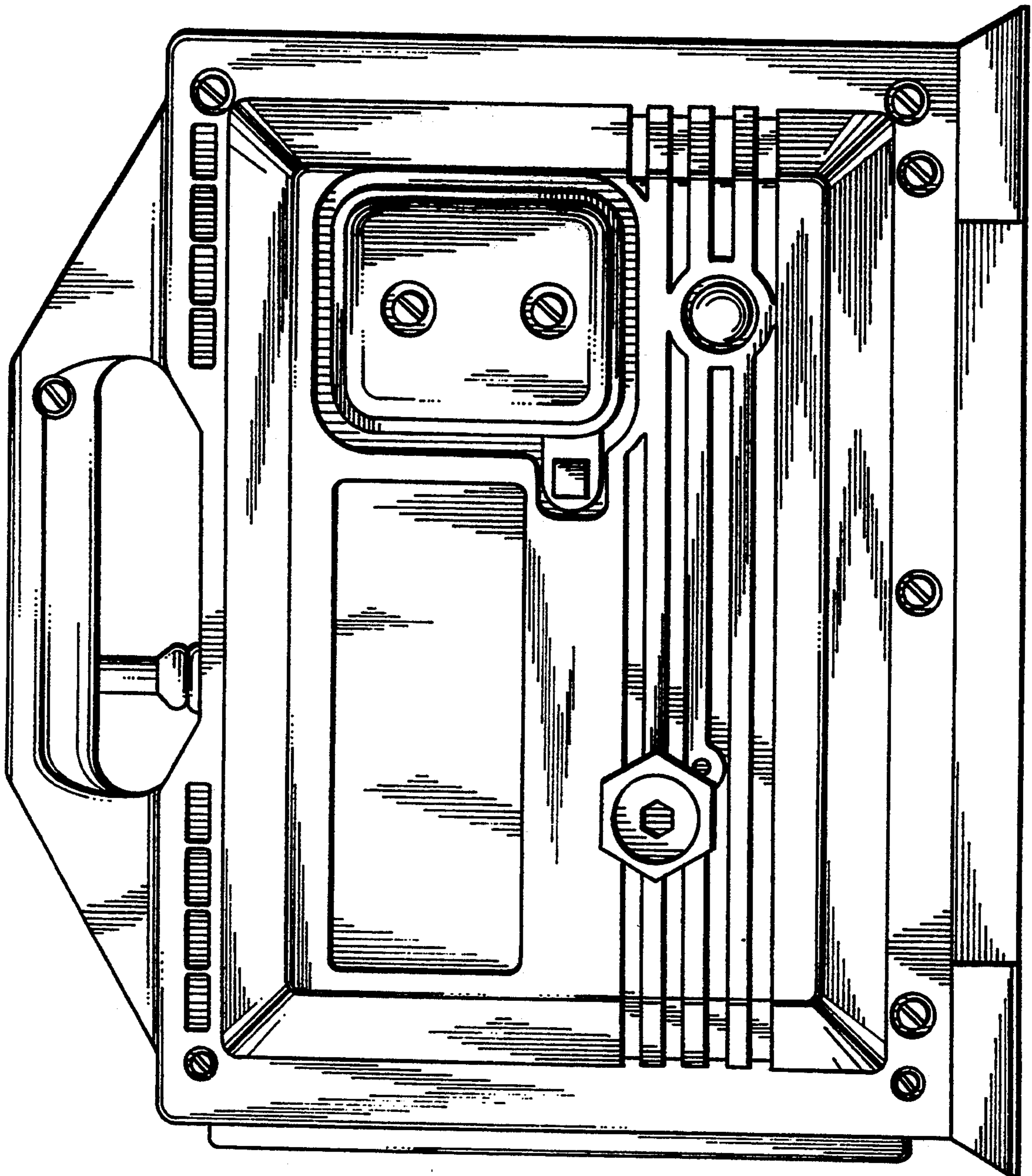


FIG. 2.

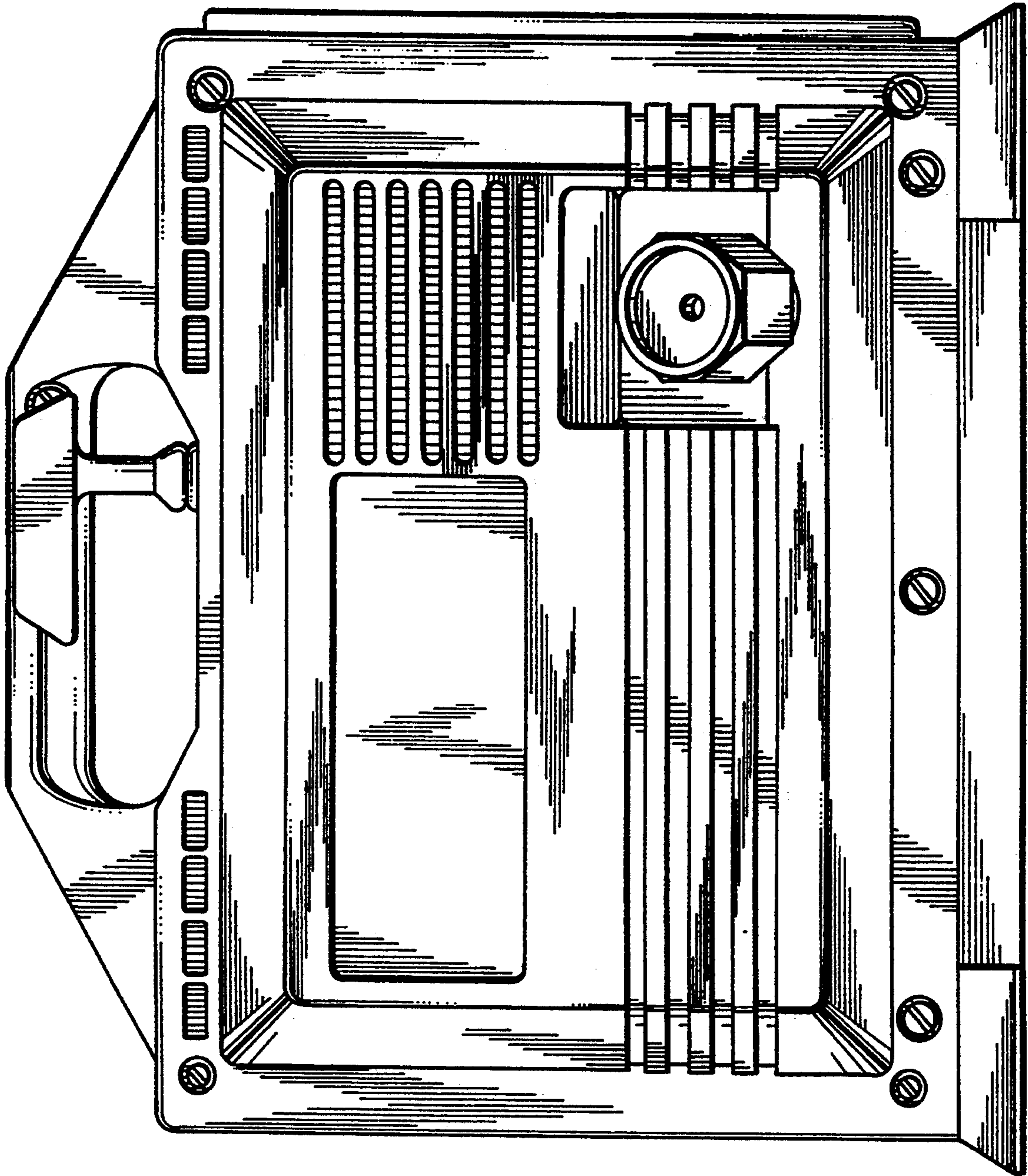


FIG. 3.

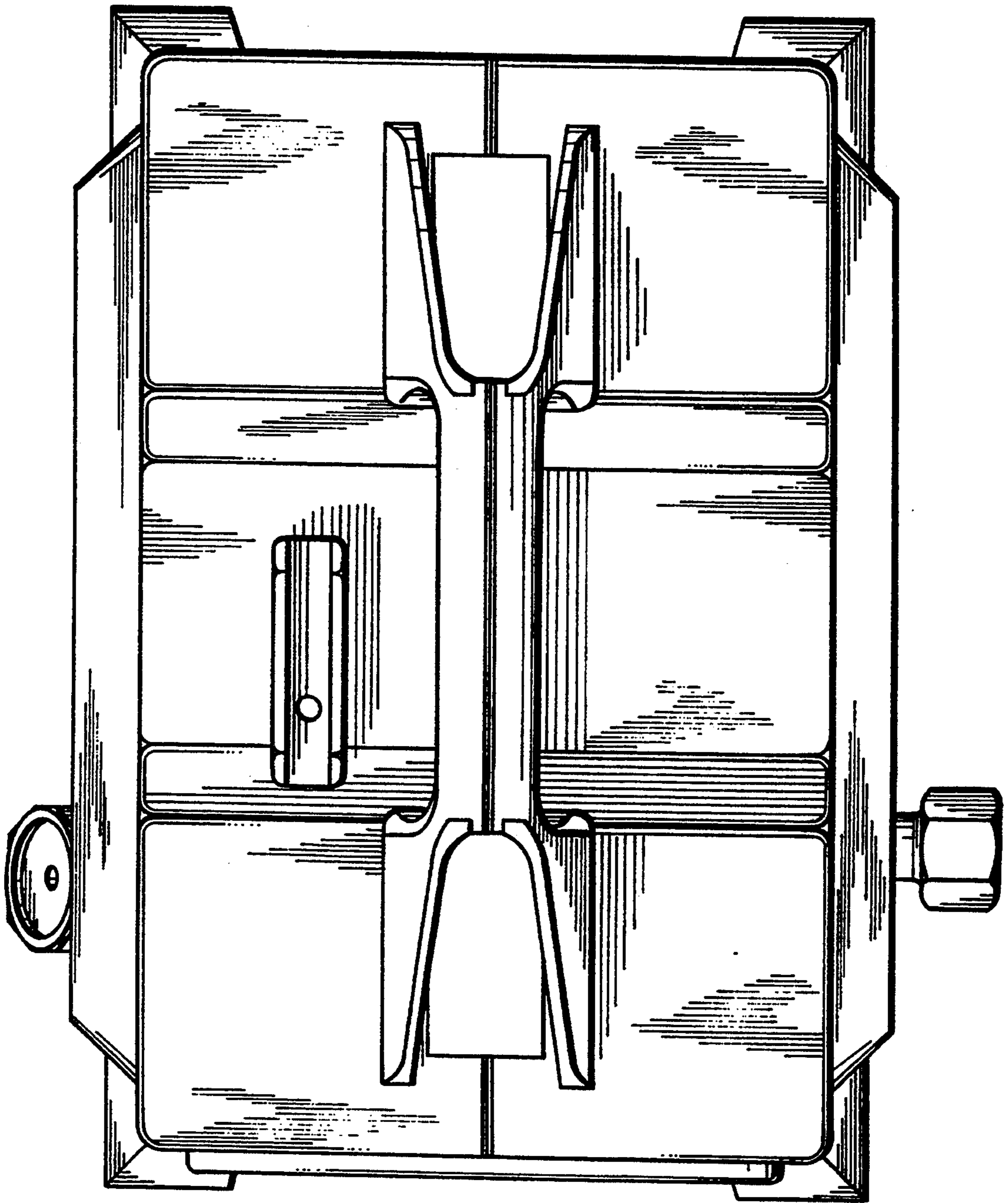


FIG. 4.

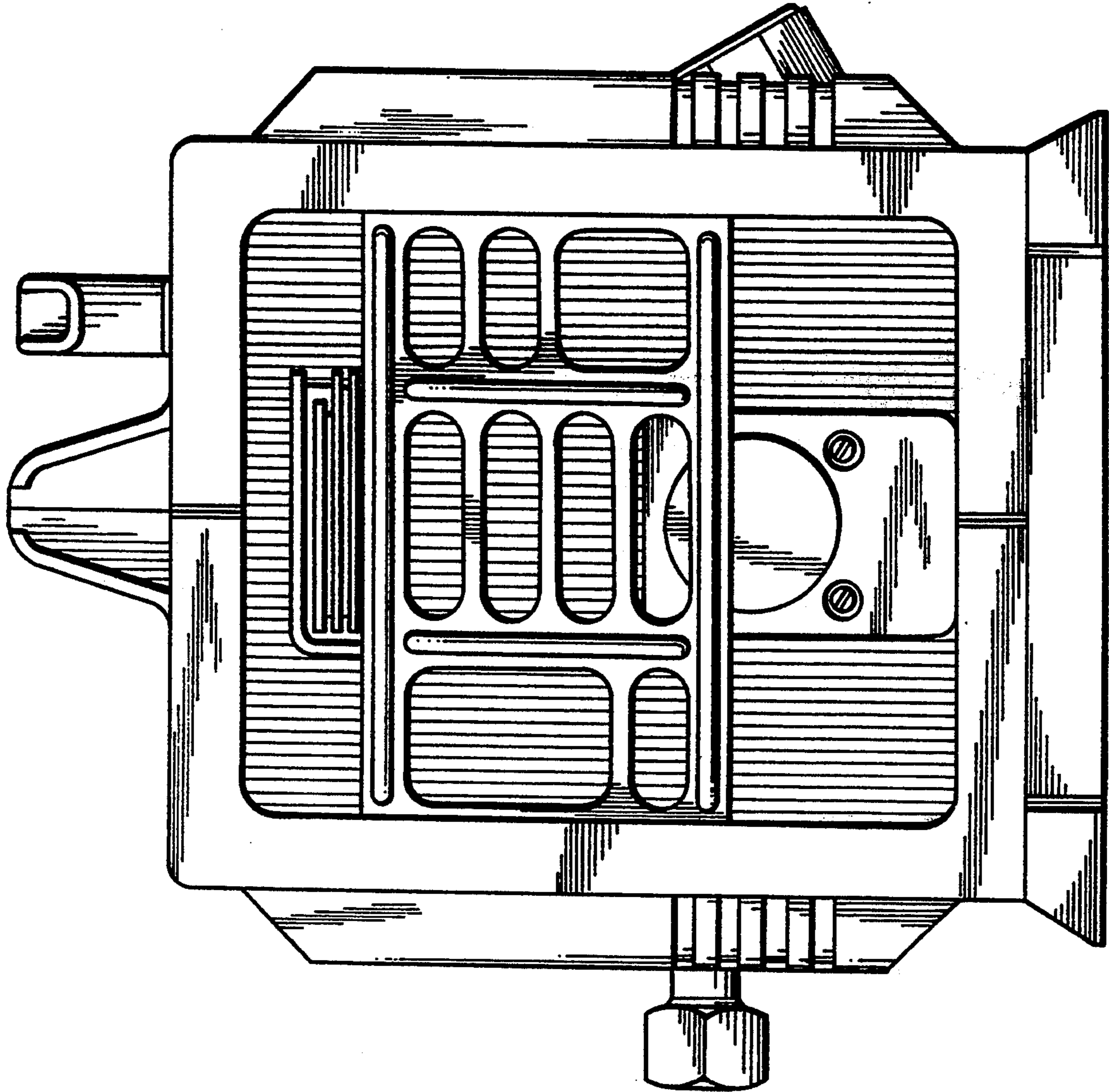


FIG. 5.

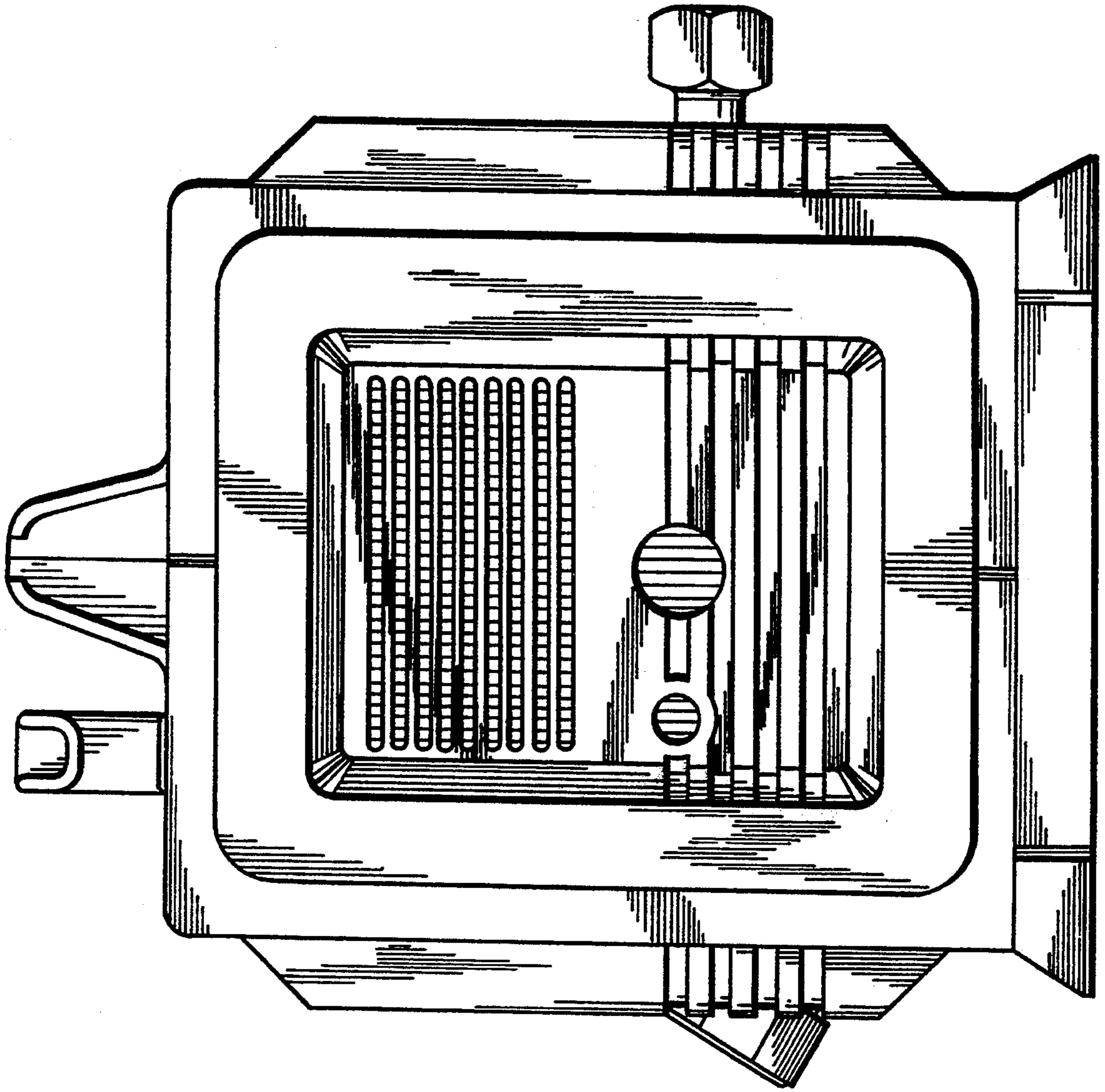


FIG. 6.

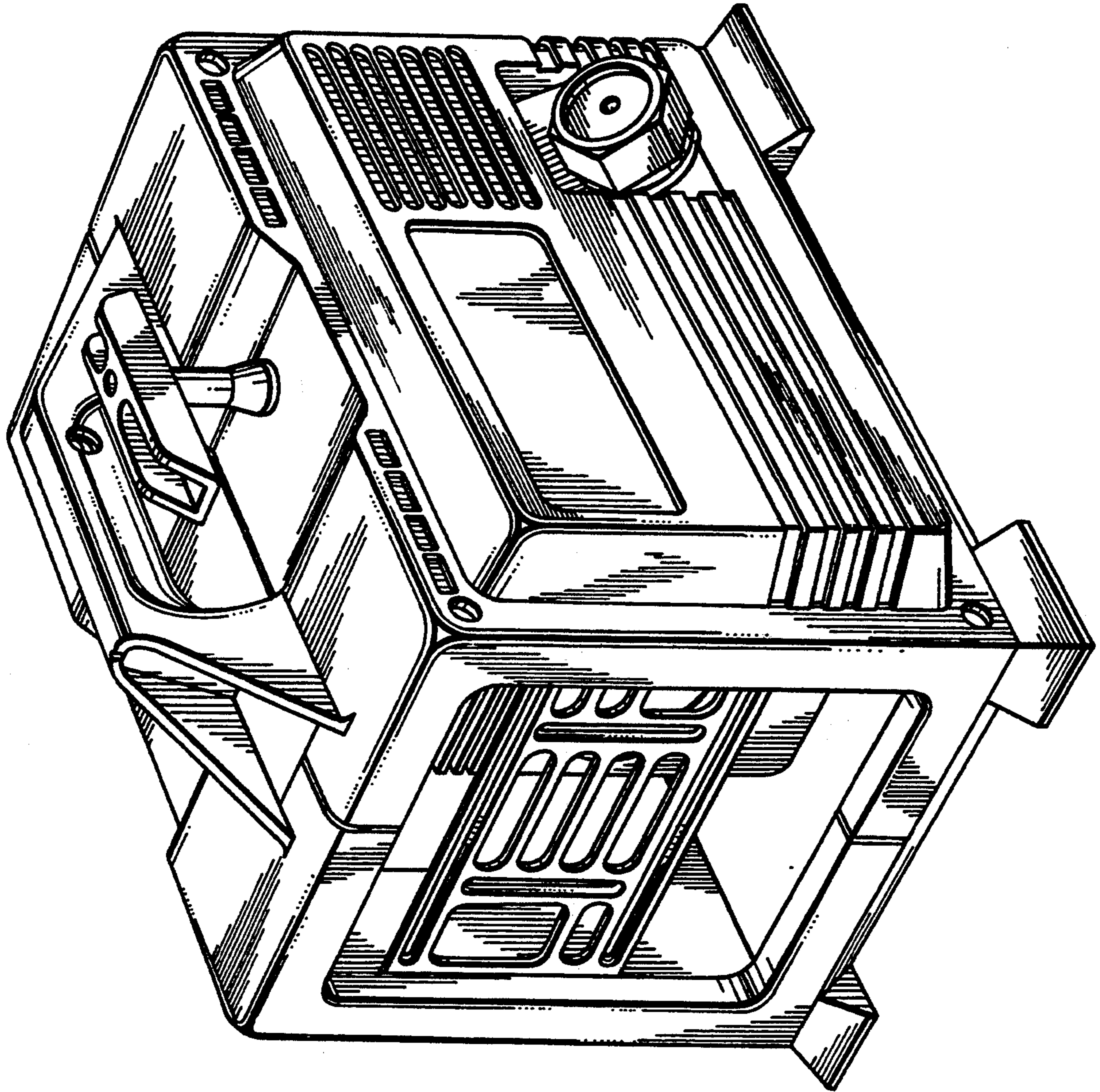


FIG. 7.