



US00D354752S

United States Patent [19]

Johnson et al.

[11] Patent Number: **Des. 354,752**

[45] Date of Patent: **** Jan. 24, 1995**

[54] **TELECOMMUNICATIONS SECURITY ADAPTER**

[75] Inventors: **Jim J. Johnson, Chandler; Richard G. Shepherd, Scottsdale; David T. Gustafson, Gilbert, all of Ariz.; Albert L. Nagele, Willmette, Ill.**

[73] Assignee: **Motorola, Inc., Schaumburg, Ill.**

[**] Term: **14 Years**

[21] Appl. No.: **13,555**

[22] Filed: **Sep. 27, 1993**

[52] U.S. Cl. **D14/240; D14/242**

[58] Field of Search **D14/100, 107, 114, 140, D14/142, 240, 256; D13/162, 164, 184; 174/52.1, 50, 67; 361/641, 658, 673, 679, 759, 730, 724, 728, 825; 379/441, 442, 419, 420, 428, 440**

[56] **References Cited**

U.S. PATENT DOCUMENTS

- D. 260,762 9/1981 Peroni D13/184 X
- D. 262,106 12/1981 Frassanito D14/107
- D. 301,877 6/1989 Greenberg D14/107
- D. 303,252 9/1989 Shih D14/107

- D. 309,731 8/1990 Takai D14/107
- D. 346,607 5/1994 Bharava D14/242
- 4,652,969 3/1987 Stegenga 361/759 X

OTHER PUBLICATIONS

A "Set of Shop Drawings" from UDS, 5000 Bradford Drive, Huntsville, Ala. 35805-1993, (Sep. 29, 1987).

Primary Examiner—Nelson C. Holtje
Assistant Examiner—Jeffrey Asch
Attorney, Agent, or Firm—Frederick M. Fliegel

[57] **CLAIM**

The ornamental design for the telecommunications security adapter, as shown and described.

DESCRIPTION

FIG. 1 is a top, right and front perspective view showing our new design for a telecommunications security adapter;

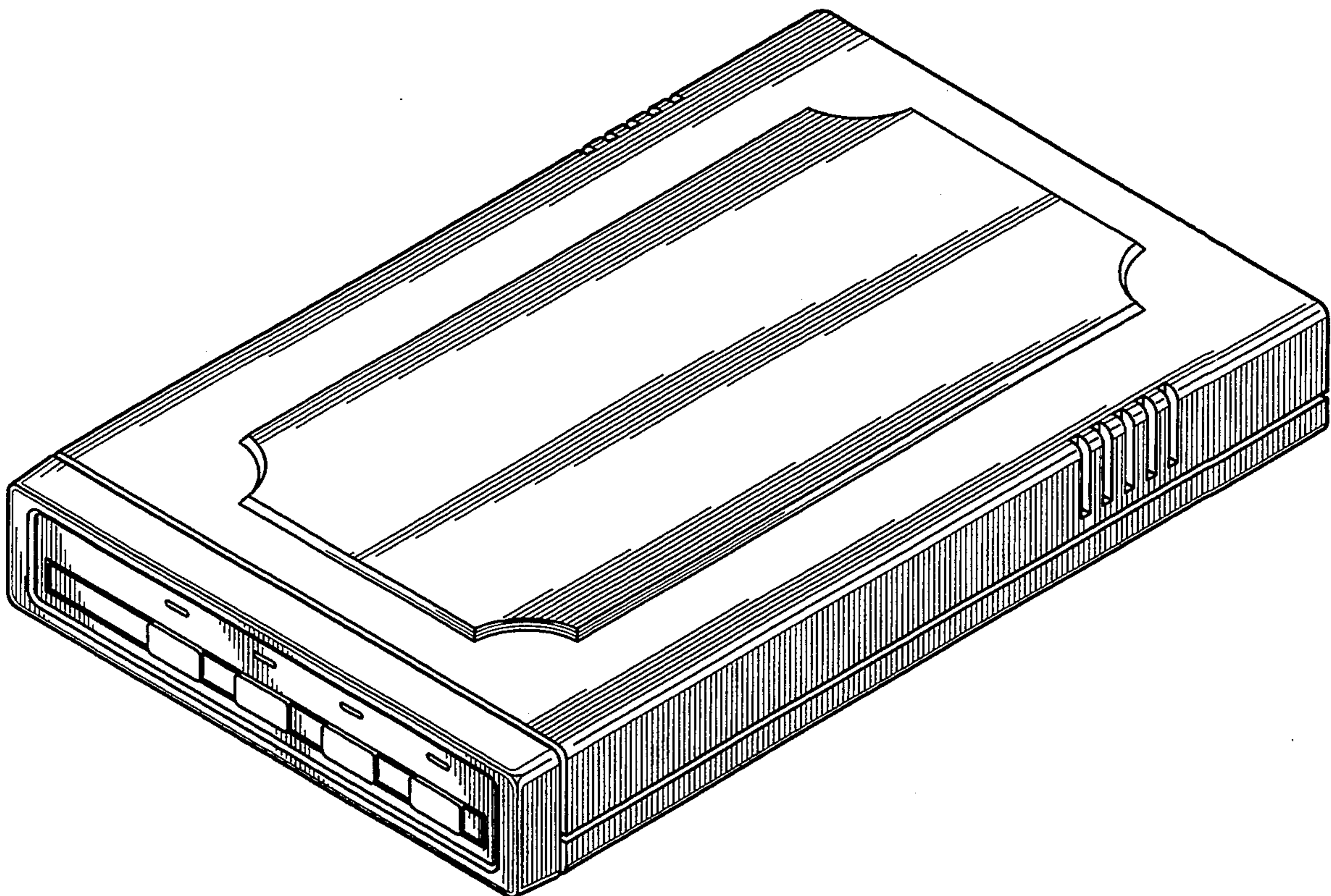
FIG. 2 is a left side elevation view thereof;

FIG. 3 is a rear elevation view thereof; and,

FIG. 4 is a bottom plan view thereof.

The characteristic feature of the design resides in the front panel.

The broken line showings in FIG. 3 are for illustrative purposes only and form no part of the claimed design.



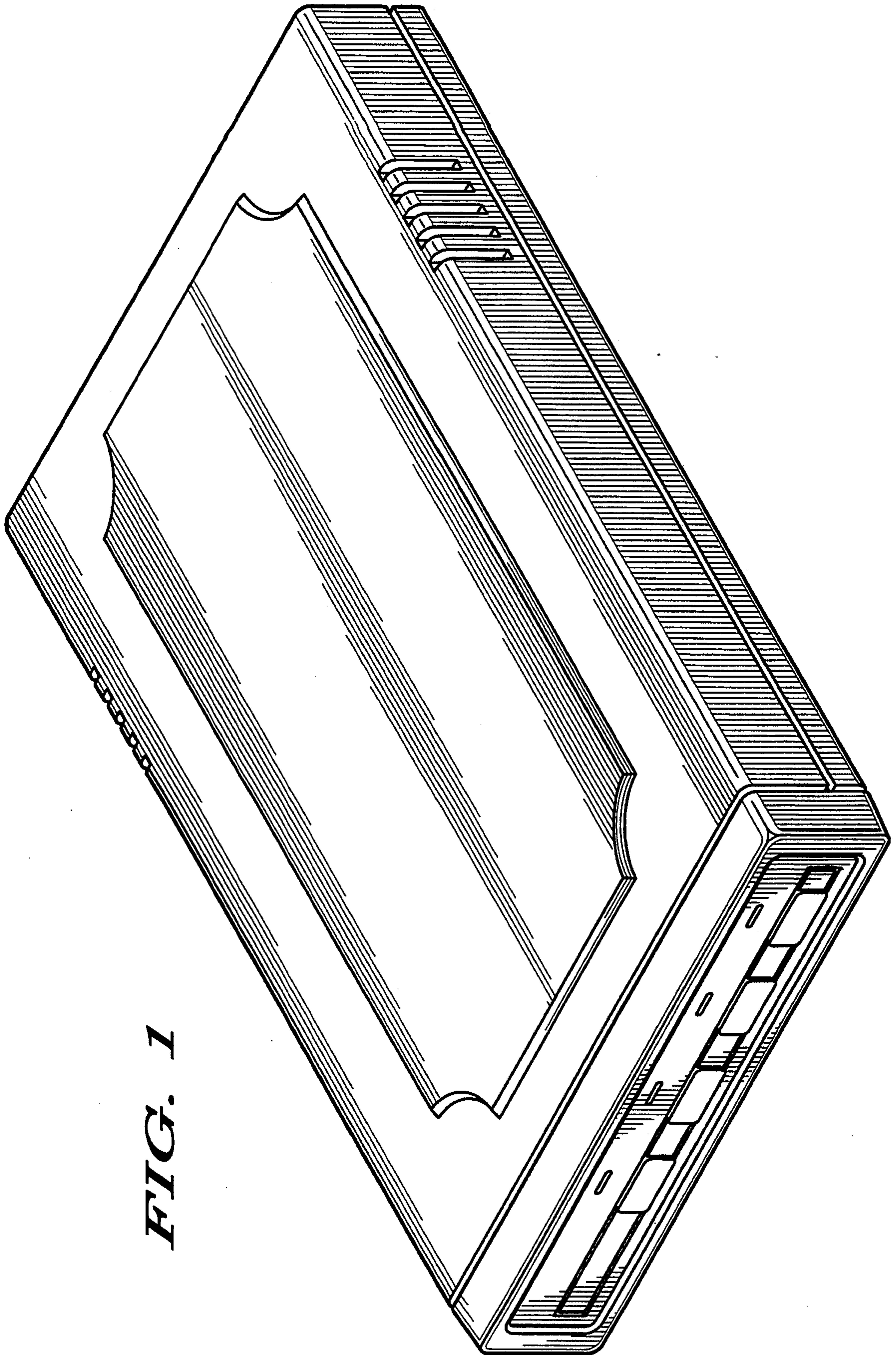


FIG. 1

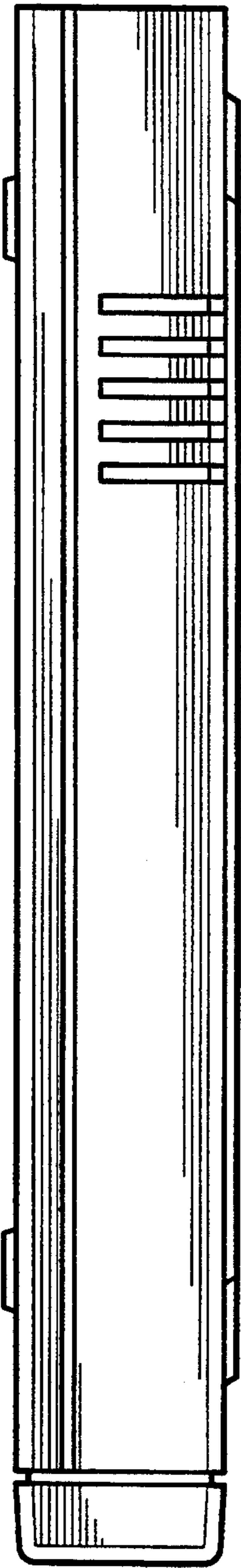


FIG. 2

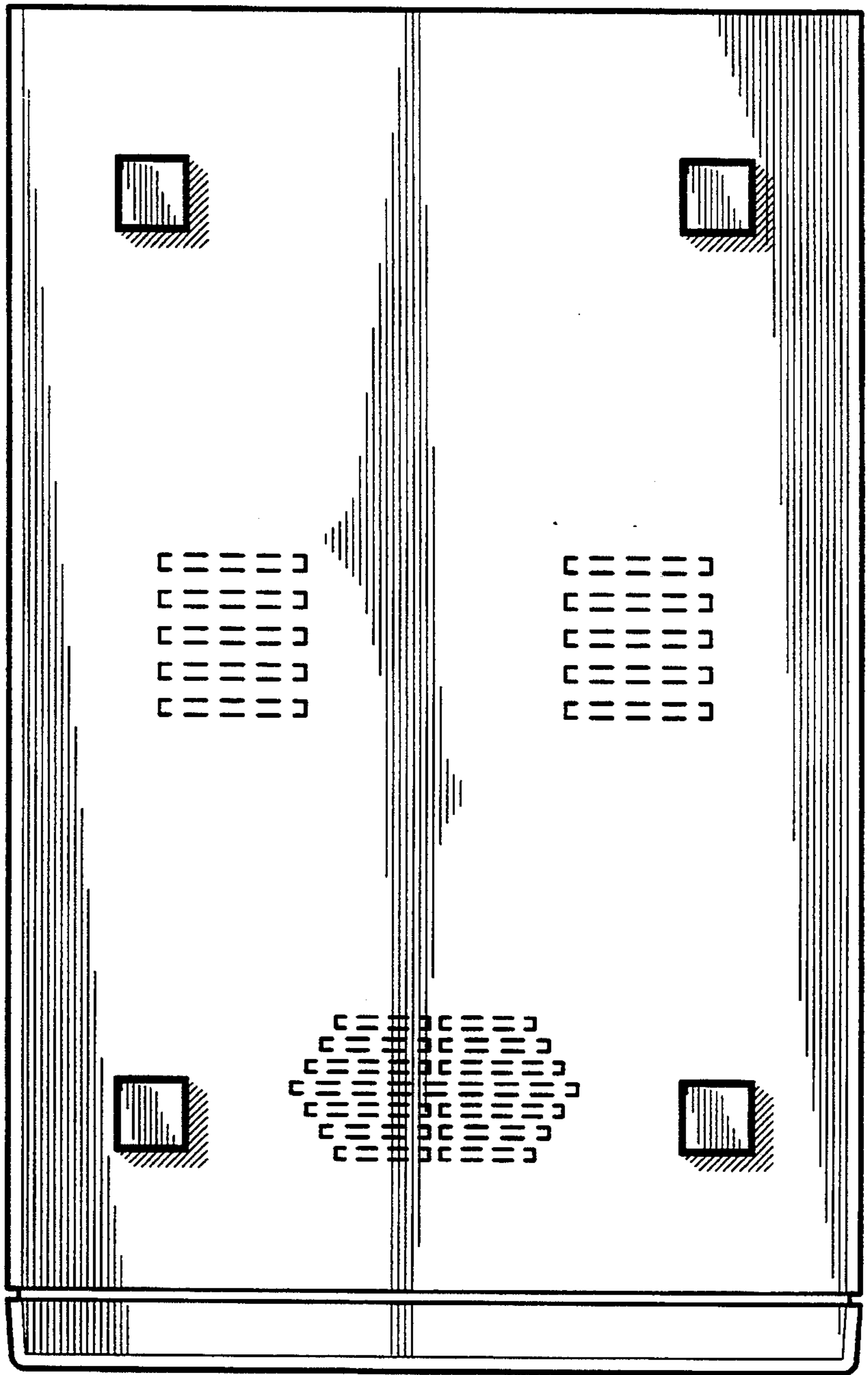


FIG. 3

FIG. 4

