



US00D354749S

United States Patent [19]

[11] Patent Number: **Des. 354,749**

Phillips

[45] Date of Patent: **** Jan. 24, 1995**

[54] **PERSONAL COMMUNICATIONS SYSTEM BASESTATION**

D. 308,059 5/1990 Desbarats D14/151
D. 339,341 9/1993 Allen D14/151 X

[75] Inventor: **James M. Phillips**, Germantown, Tenn.

OTHER PUBLICATIONS

Webcor Minicordless, Sharper Image Phone Book p. 28.

[73] Assignee: **Telular Corporation**, Buffalo Grove, Ill.

Primary Examiner—Alan P. Douglas
Assistant Examiner—Jeffrey Asch
Attorney, Agent, or Firm—Hamman & Benn

[**] Term: **14 Years**

[21] Appl. No.: **16,120**

[57] CLAIM

[22] Filed: **Dec. 8, 1993**

The ornamental design for a personal communications system basestation, as shown and described.

[52] U.S. Cl. **D14/151; D14/138**

[58] Field of Search D14/137, 138, 140, 142, D14/149-151, 240, 241, 101, 144, 100; 379/58-61, 419, 420, 428, 440, 433-436

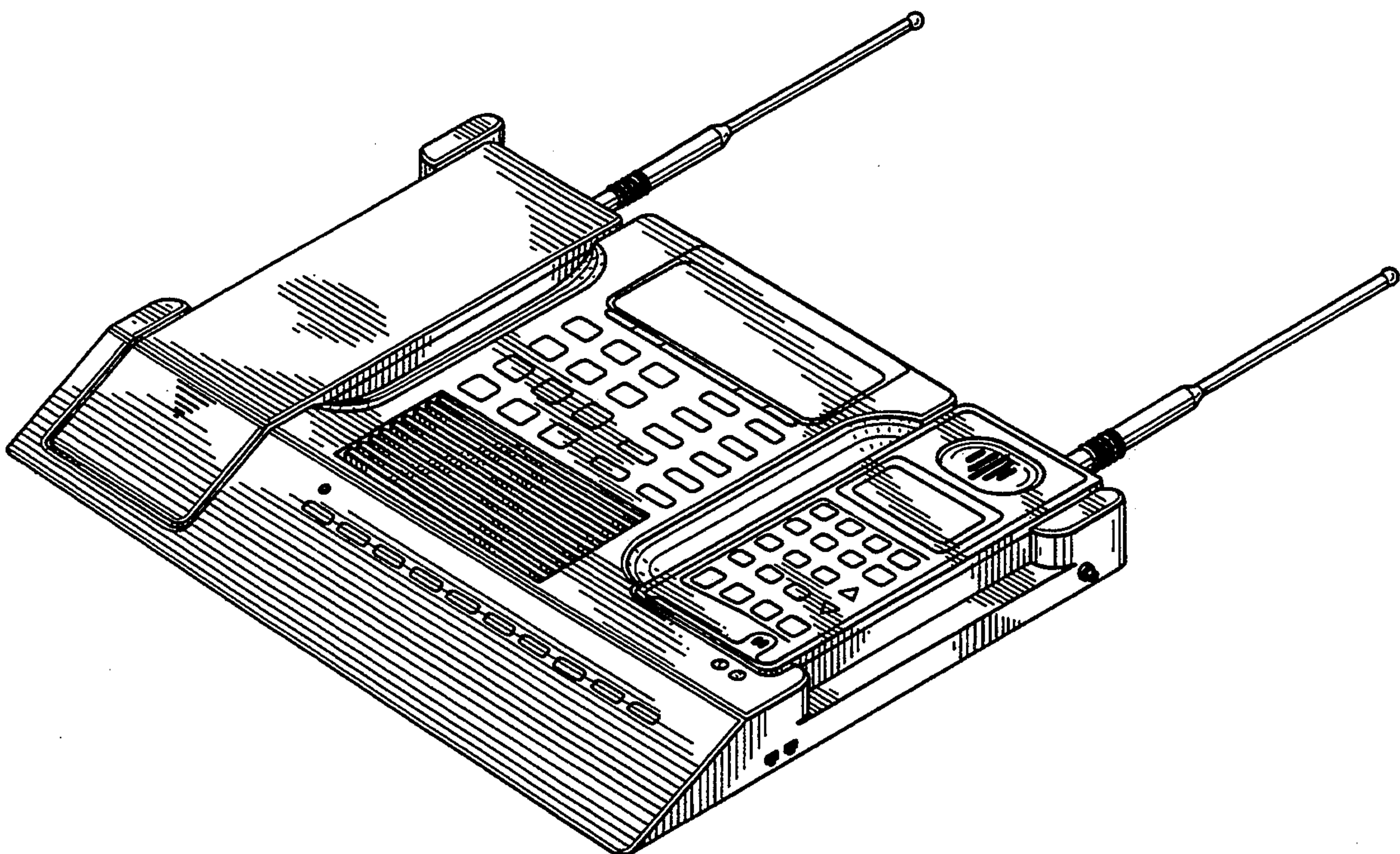
DESCRIPTION

[56] References Cited

U.S. PATENT DOCUMENTS

- D. 282,763 2/1986 Catelli D14/144 X
- D. 289,520 4/1987 Pushelberg D14/151
- D. 302,815 8/1989 Goatman D14/140 X
- D. 305,538 1/1990 Gilmore et al. D14/142 X

FIG. 1 is a perspective view of the personal communication system basestation showing the new design; FIG. 2 is the top view thereof; FIG. 3 is the front elevation view thereof; FIG. 4 is the rear elevation view thereof; FIG. 5 is a first side elevation view thereof; FIG. 6 is a second side elevation view thereof; and, FIG. 7 is the bottom view thereof.



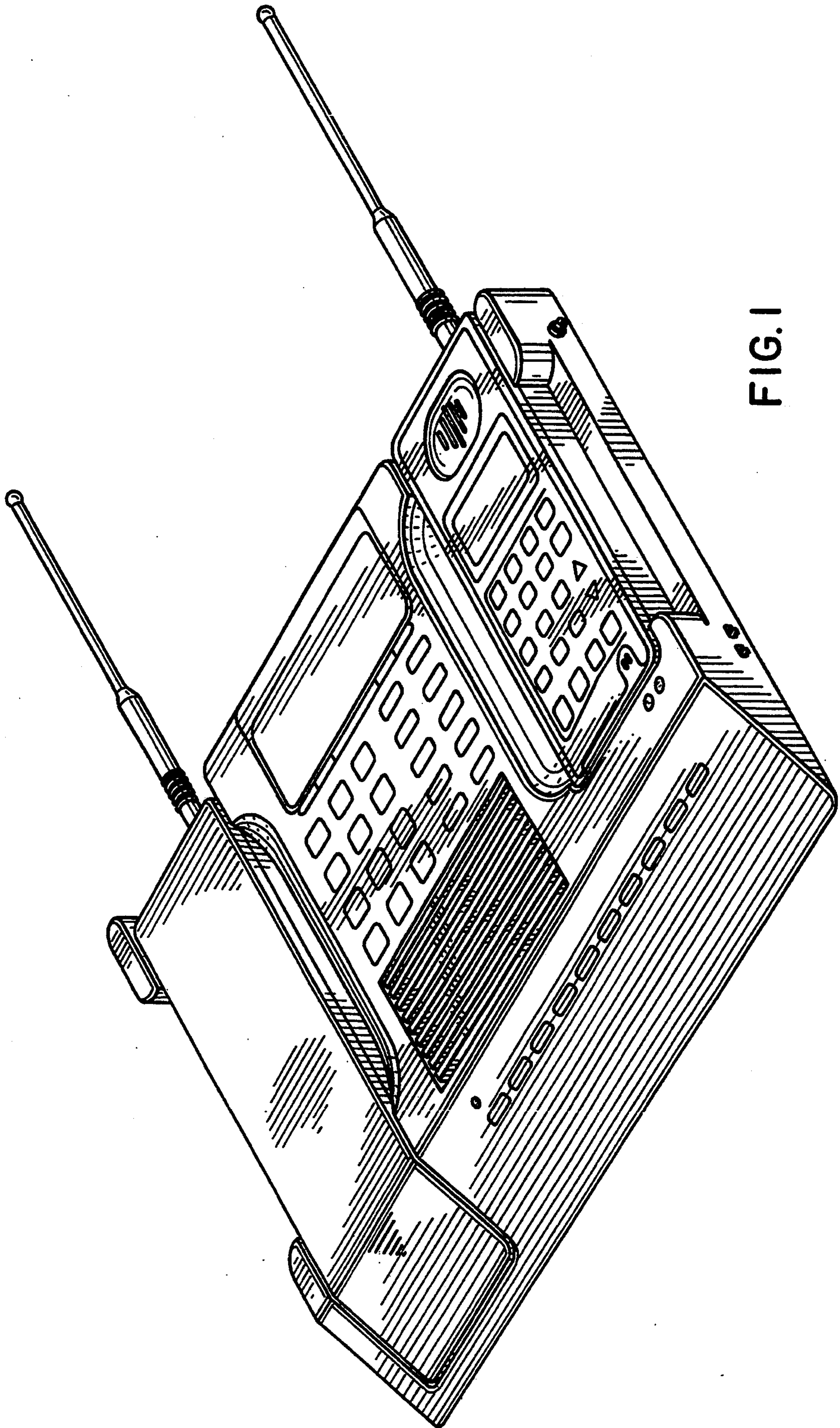


FIG. 1

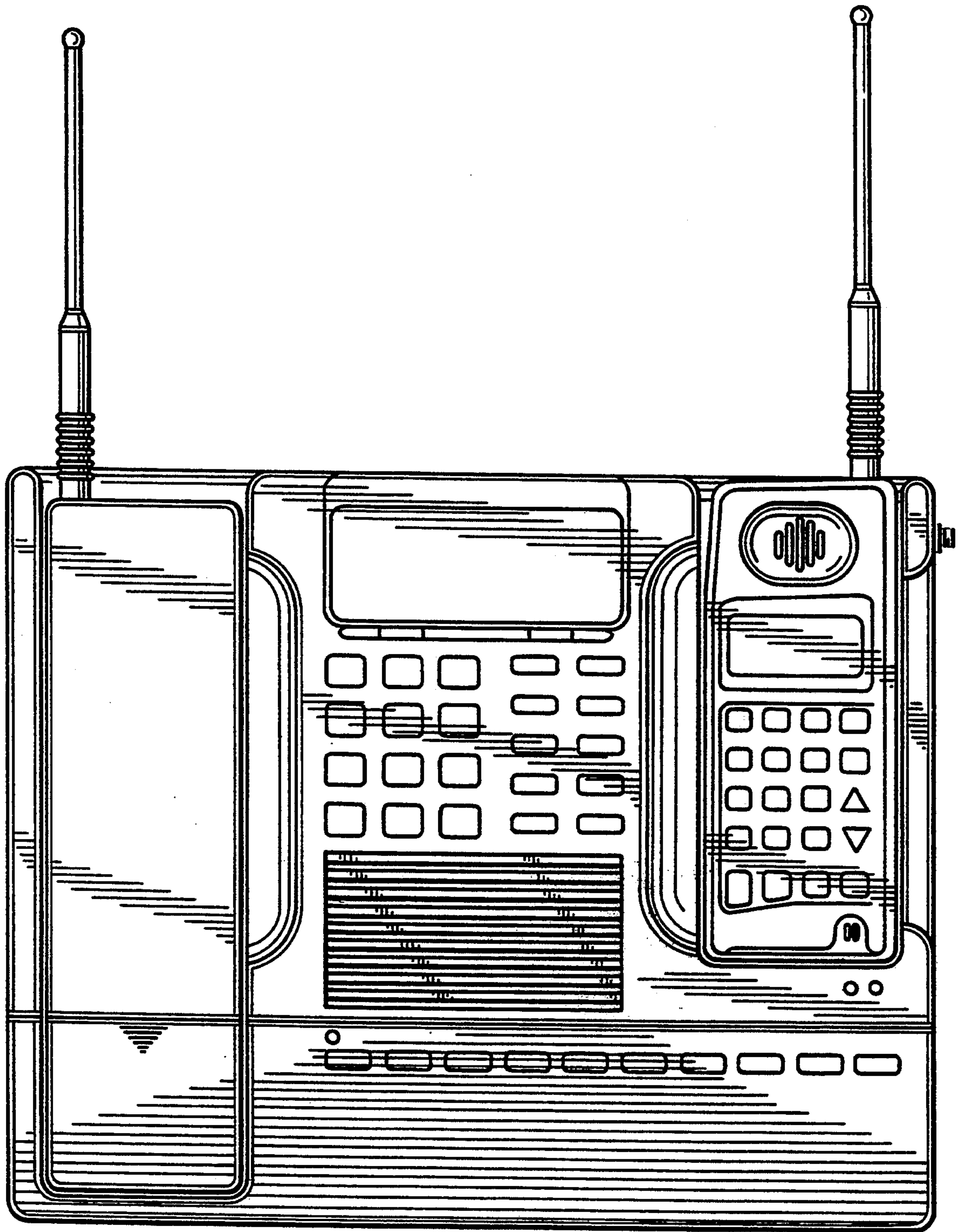


FIG. 2

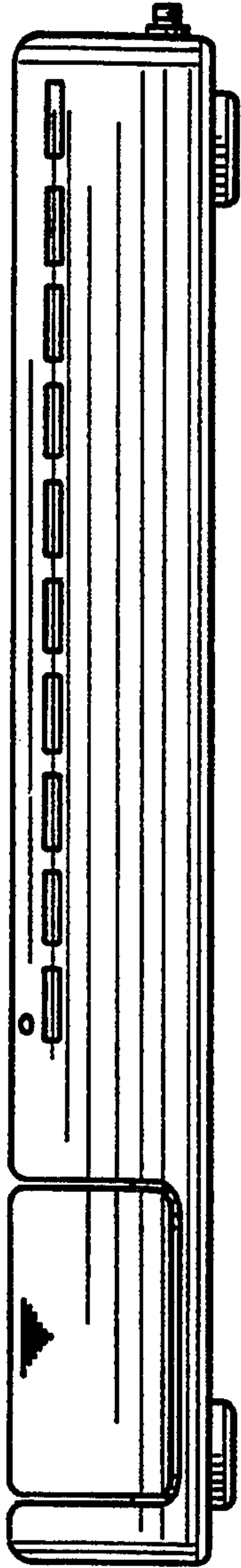


FIG. 3

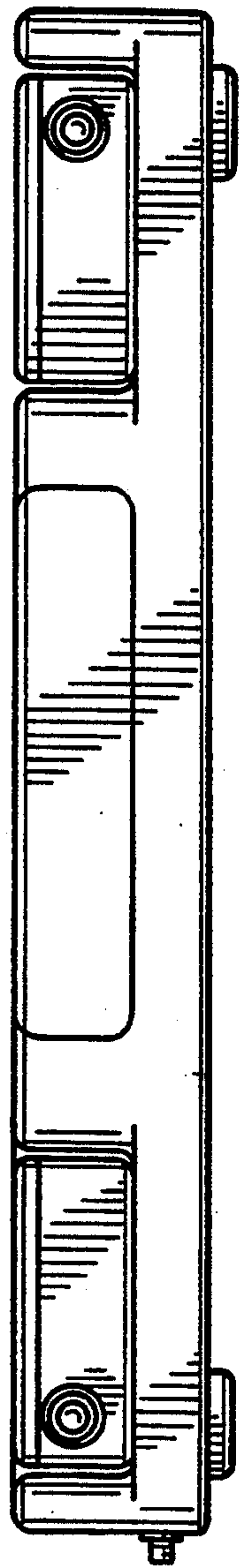


FIG. 4

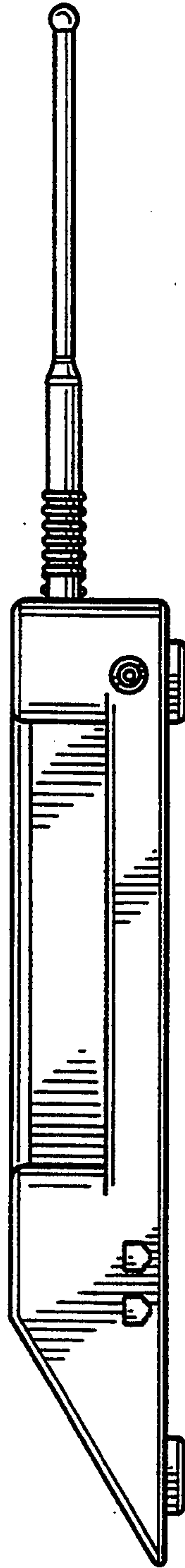


FIG. 5

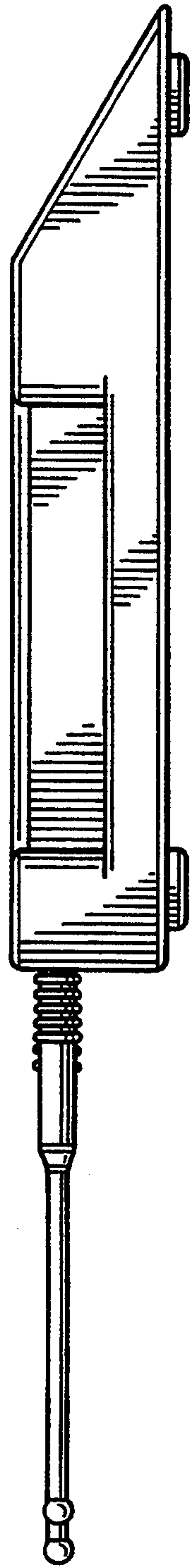


FIG. 6

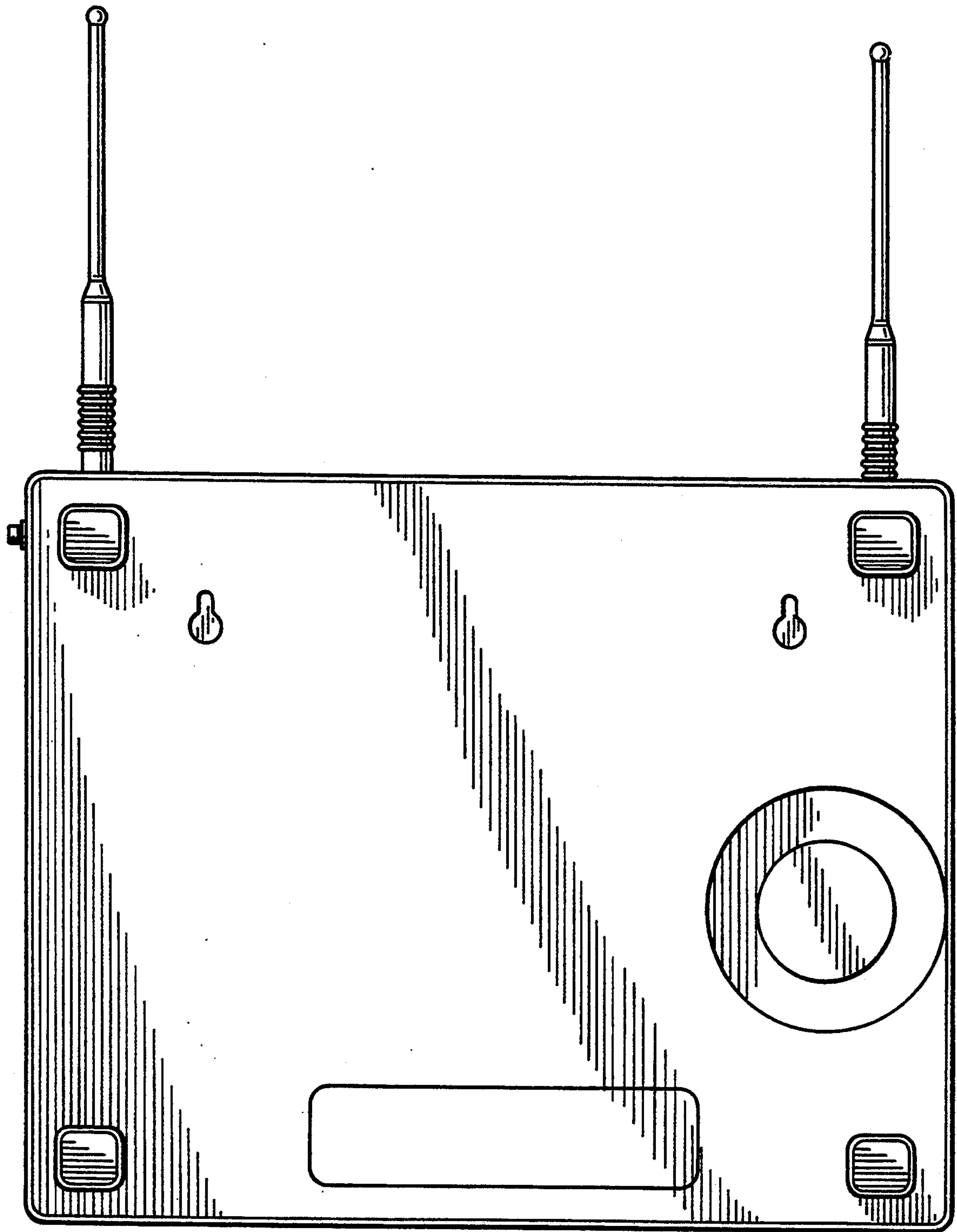


FIG. 7