



US00D354739S

# United States Patent [19]

[11] Patent Number: **Des. 354,739**

Durham et al.

[45] Date of Patent: **\*\* Jan. 24, 1995**

[54] **UNDERGROUND STORAGE UNIT FOR ITEMS SENSITIVE TO ENVIRONMENTAL CONDITIONS**

*Primary Examiner*—Wallace R. Burke  
*Assistant Examiner*—Joel Sincavage  
*Attorney, Agent, or Firm*—Todd N. Hathaway

[76] Inventors: **Rodney L. Durham**, 4069 Jones La., Bellingham, Wash. 98225; **Alan L. MacLachlan**, 6527 NE. 192nd Pl., Seattle, Wash. 98155

[57] **CLAIM**

The ornamental design for an underground storage unit for items sensitive to environmental conditions, as shown and described.

[\*\*] Term: **14 Years**

**DESCRIPTION**

[21] Appl. No.: **10,264**

[22] Filed: **Jun. 30, 1993**

[52] U.S. Cl. .... **D13/184**

[58] Field of Search ..... **D13/152, 184, 199; D29/6; D14/240; 361/679; 174/37, 38, 74 A, 77 R, 93; 220/484**

FIG. 1 is a perspective view of an underground storage unit for items sensitive to environmental conditions showing my new design, with the normal level of ground surrounding an installed unit being shown in phantom;

FIG. 2 is a perspective view thereof, showing the above-ground cover and internal storage racks in the elevated position;

FIG. 3 is a front elevational view of the storage unit in the retracted configuration as show in FIG. 1;

FIG. 4 is a side elevational view of the storage unit in the retracted configuration;

FIG. 5 is a top plan view of the storage unit; and,

FIG. 6 is a bottom plan view of the storage unit.

The broken line showing in FIGS. 1 through 4 is included for the purpose of illustrating environmental elements only and forms no part of the claimed design.

[56] **References Cited**

**U.S. PATENT DOCUMENTS**

3,033,912	5/1962	Phillips	.....	D13/152 X
3,369,321	2/1968	Blackistone, Jr.	.....	220/484 X
3,725,580	4/1973	Thompson et al.	.....	174/38
4,097,683	6/1978	Summers	.....	174/38
4,230,234	10/1980	Taylor	.....	220/484
4,542,437	9/1985	Ellis et al.	.....	174/38 X
5,117,067	5/1992	Jaycox	.....	174/38

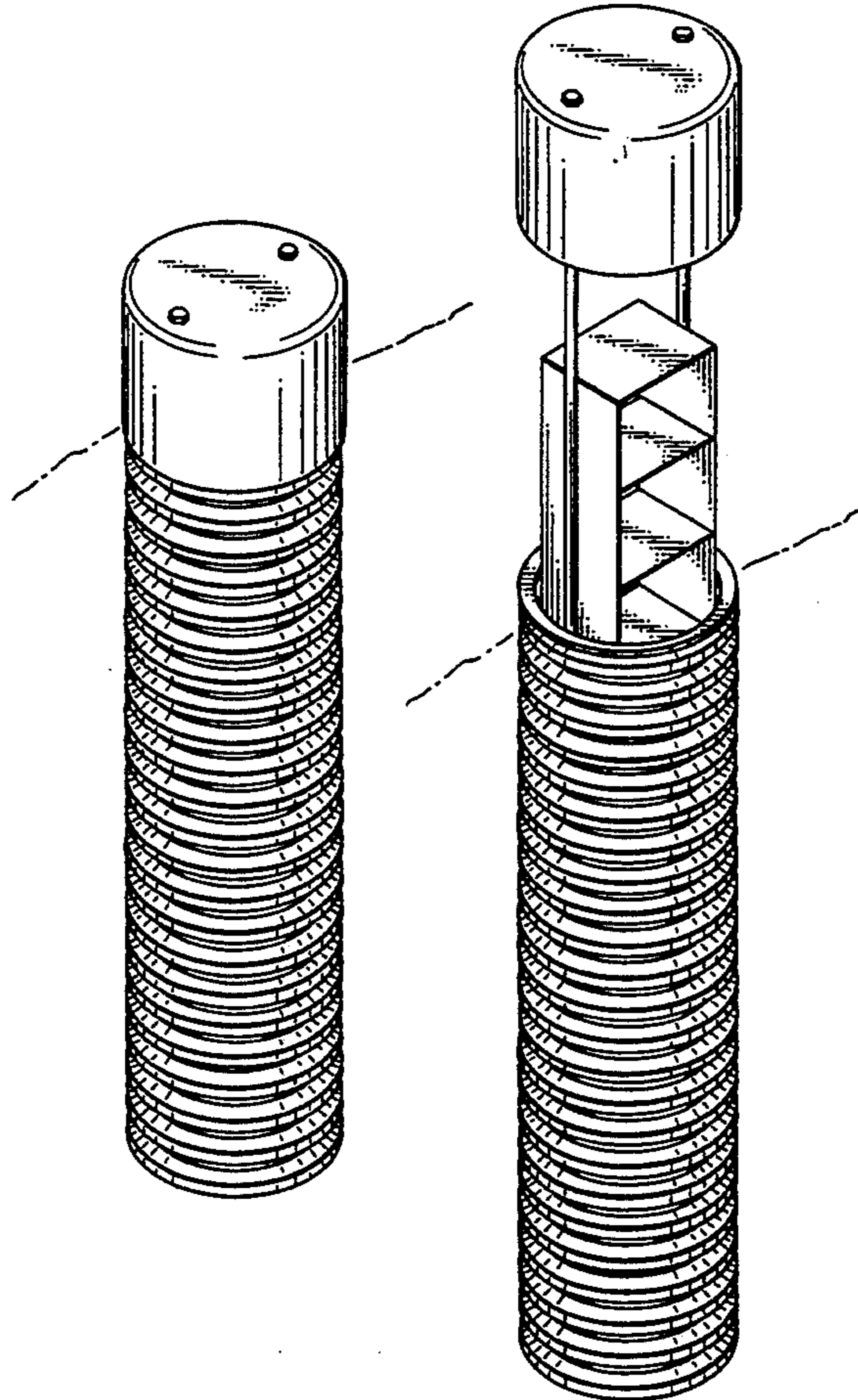


FIG. 1

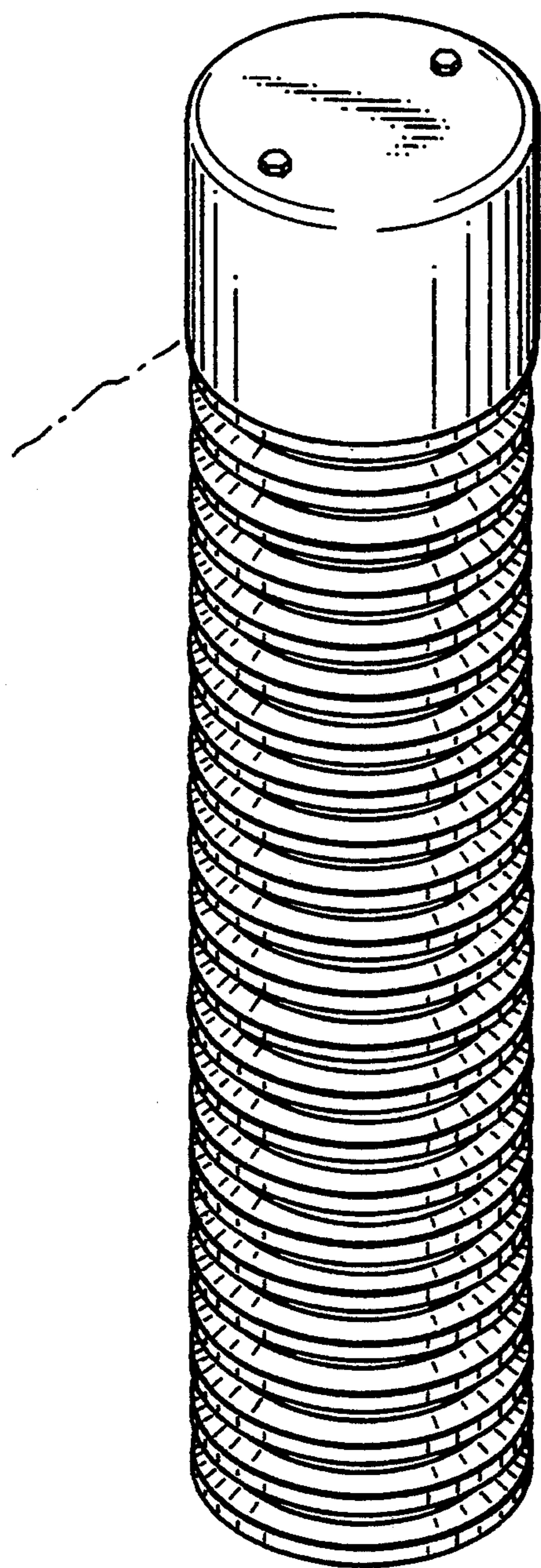


FIG. 2

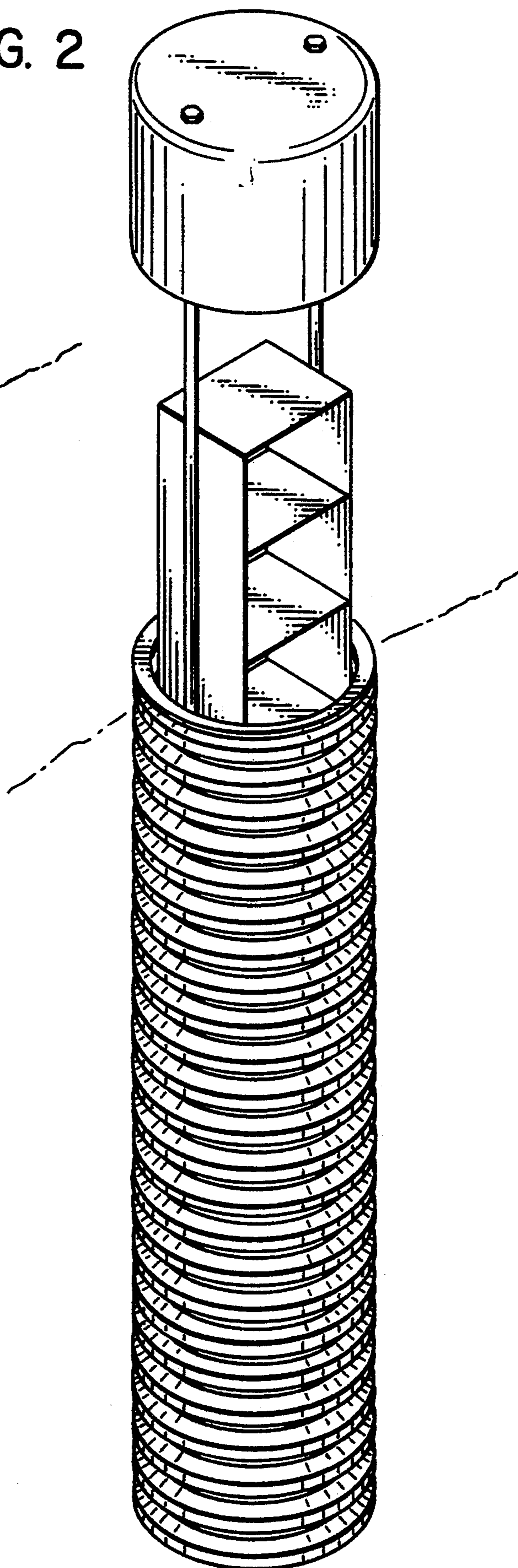


FIG. 3

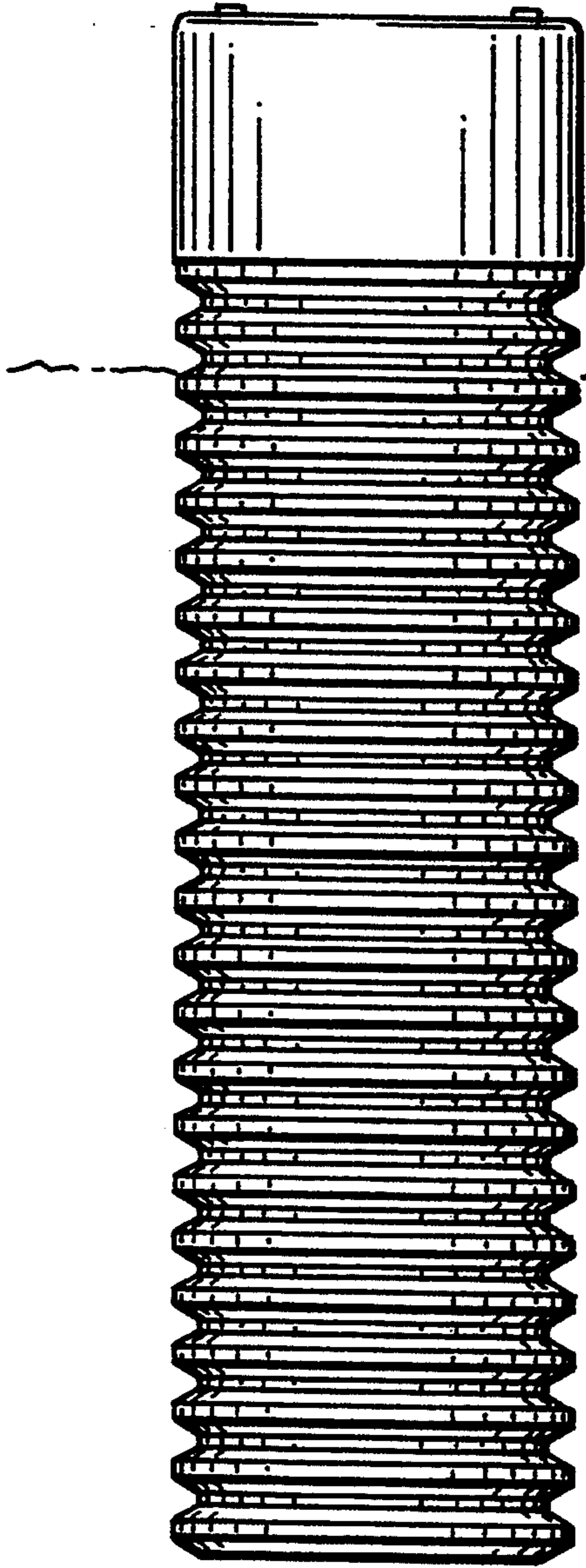


FIG. 4

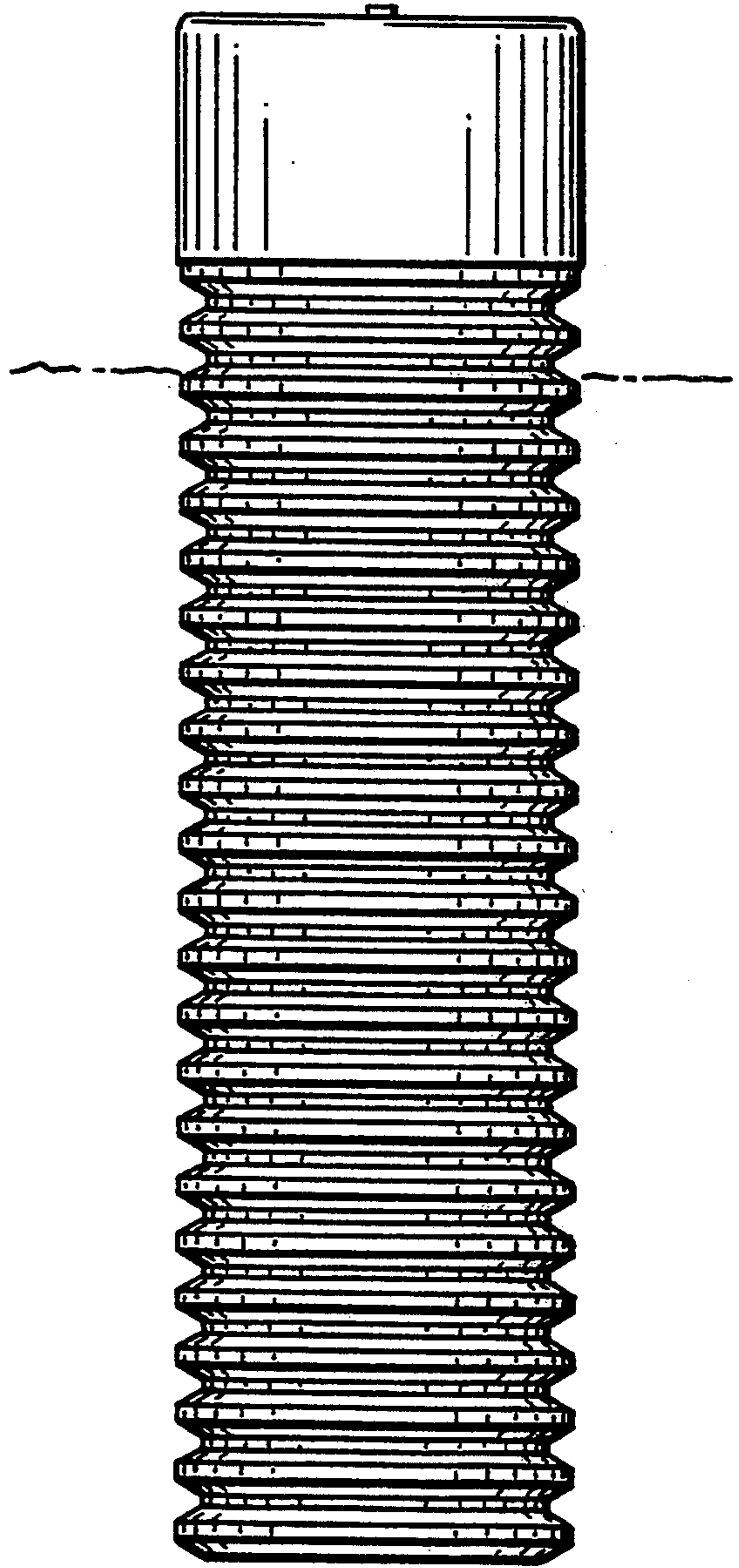


FIG. 5

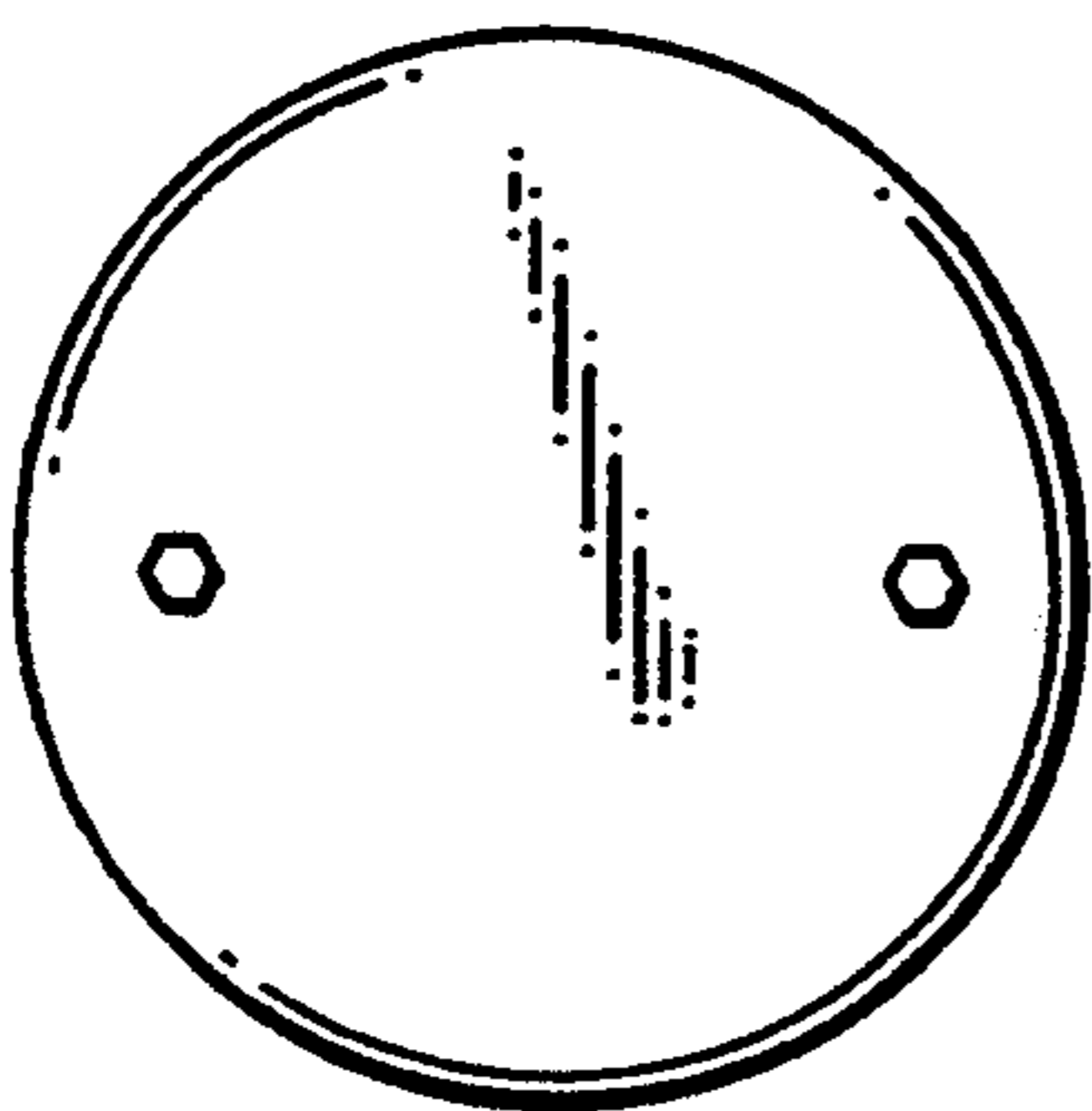


FIG. 6

