



US00D354736S

# United States Patent [19]

[11] Patent Number: **Des. 354,736**

Hallett et al.

[45] Date of Patent: **\*\* Jan. 24, 1995**

## [54] ELECTRICAL OUTLET PROTECTOR

[76] Inventors: **Gregory S. Hallett**, P.O. Box 1508, Presque Isle, Me. 04769; **Richard P. Hallett**, P.O. Box 232, Mars Hill, Me. 04758; **Todd A. Duncan**, Presque Isle Rd. Box 4250, Washburn, Me. 04786

[\*\*] Term: **14 Years**

[21] Appl. No.: **11,250**

[22] Filed: **Jul. 30, 1993**

[52] U.S. Cl. .... **D13/156**

[58] Field of Search ..... **D13/156; 439/135, 136, 439/147; 174/66, 67; 220/242**

### [56] References Cited

#### U.S. PATENT DOCUMENTS

D. 185,725	7/1959	Wieland	.....	D13/156
2,439,708	3/1947	Abraham	.....	174/67 X
2,761,112	10/1954	Torcivia	.....	174/67 X
2,880,264	3/1959	Ruskin	.....	174/67
2,916,733	12/1959	Hirsch	.....	174/67 X
2,987,690	6/1961	Marbais	.....	174/67 X
4,070,078	1/1978	Chronos	.....	174/67 X
4,086,618	4/1978	Busch, Jr.	.....	439/147
4,593,541	6/1986	Hollis	.....	174/67 X
4,605,817	8/1986	Lopez	.....	174/67
4,851,612	7/1989	Peckham	.....	174/67

4,993,963	2/1991	Pedigo	.....	174/67 X
5,045,640	9/1991	Riceman	.....	174/67
5,174,773	12/1992	Jones	.....	174/67 X

#### FOREIGN PATENT DOCUMENTS

2192315	1/1988	United Kingdom	.
2241389	1/1991	United Kingdom	.

*Primary Examiner*—Joel Sincavage  
*Attorney, Agent, or Firm*—Richard C. Litman

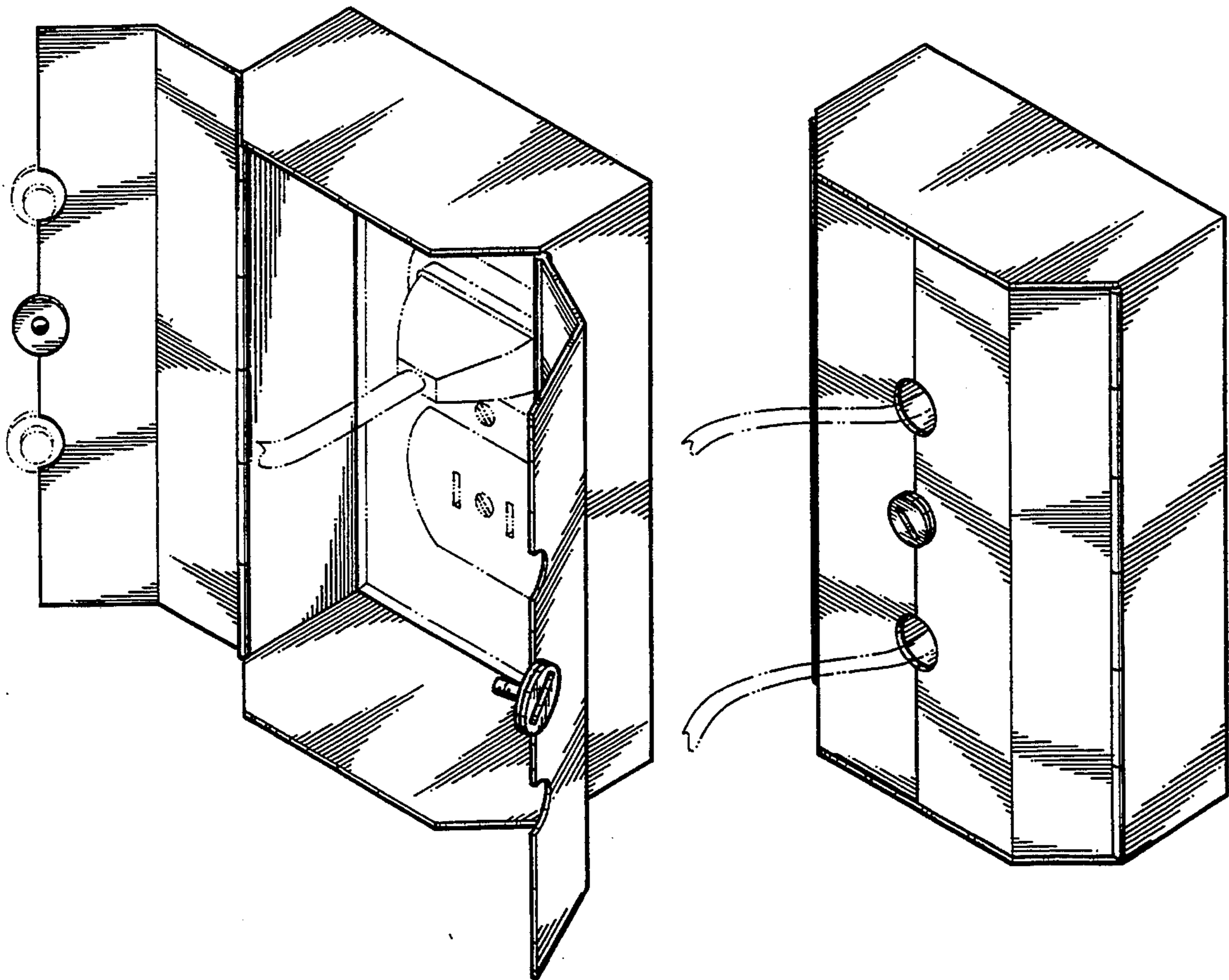
### [57] CLAIM

The ornamental design for an electrical outlet protector, as shown and described.

### DESCRIPTION

FIG. 1 is an environmental perspective view of an open electrical outlet protector showing my new design; FIG. 2 is an environmental perspective view of a closed electrical outlet protector thereof; FIG. 3 is a front elevational view thereof; FIG. 4 is a right side elevational view with the left side being a mirror image thereof; and, FIG. 5 is a top view with the bottom view being a mirror image.

The broken line showing of an electrical receptacle, a plug and two safety plugs in FIG. 1 and an electrical cord in FIGS. 1 and 2 are for illustrative purposes only and forms no part of the claimed design.



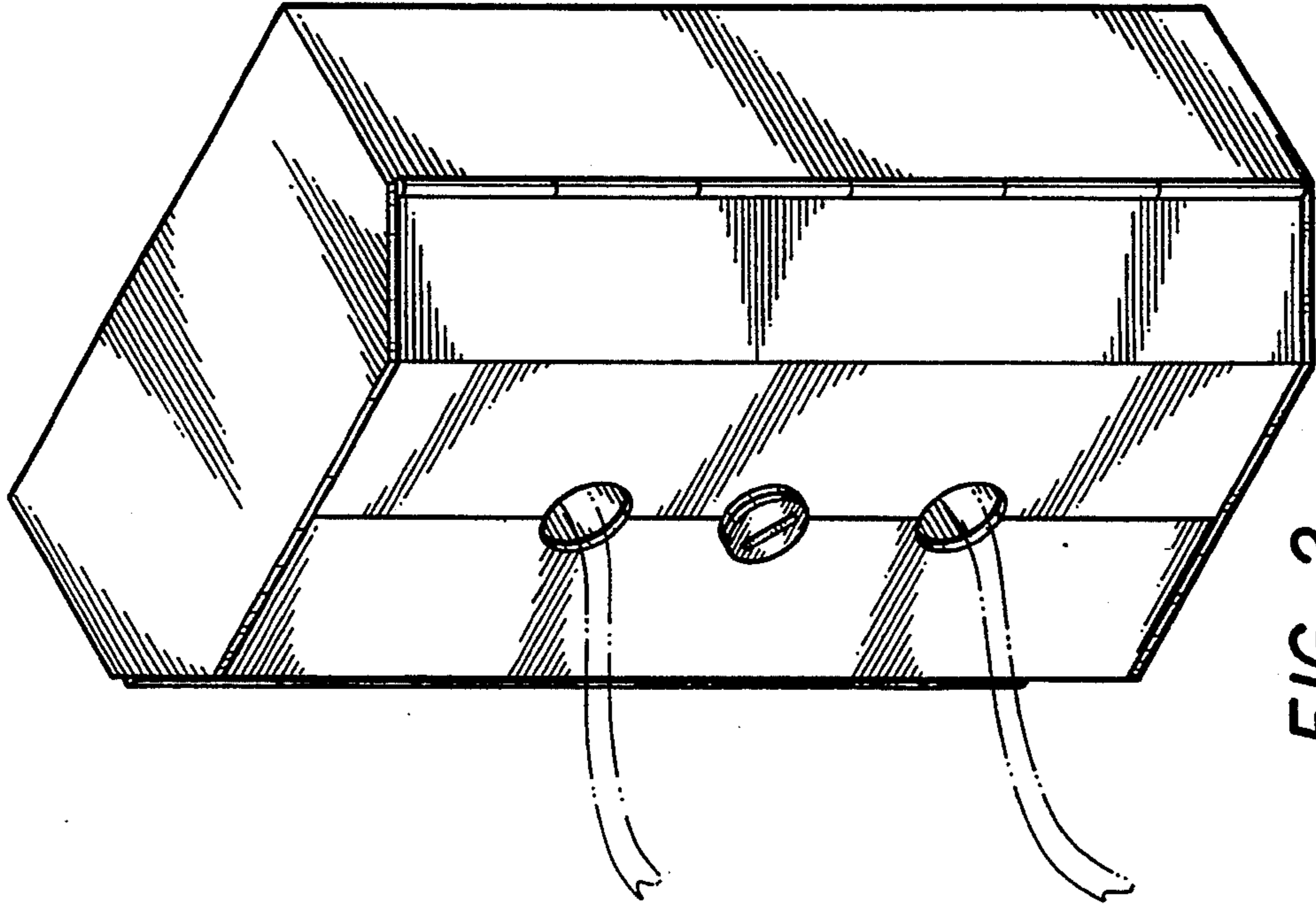


FIG. 2

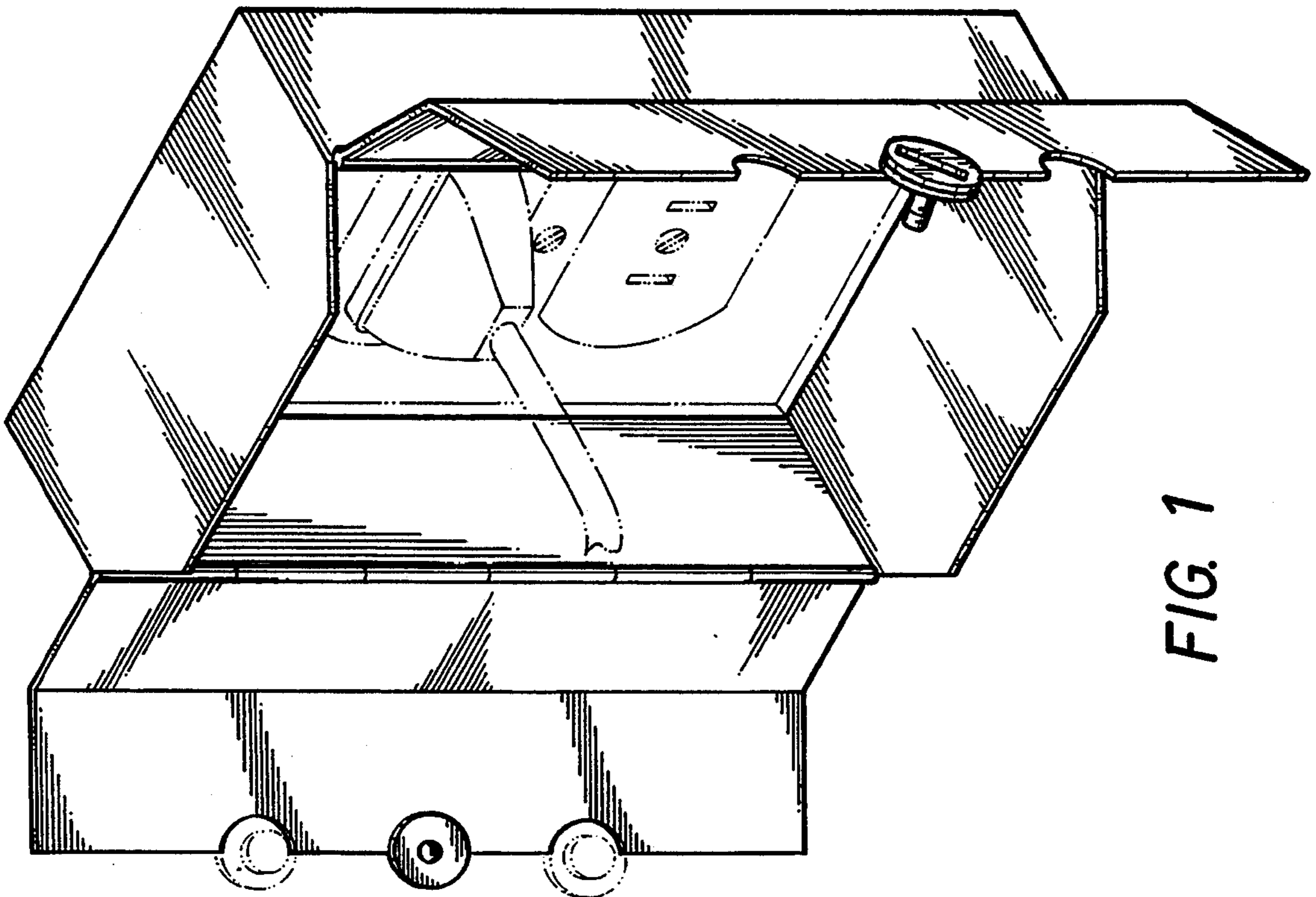


FIG. 1

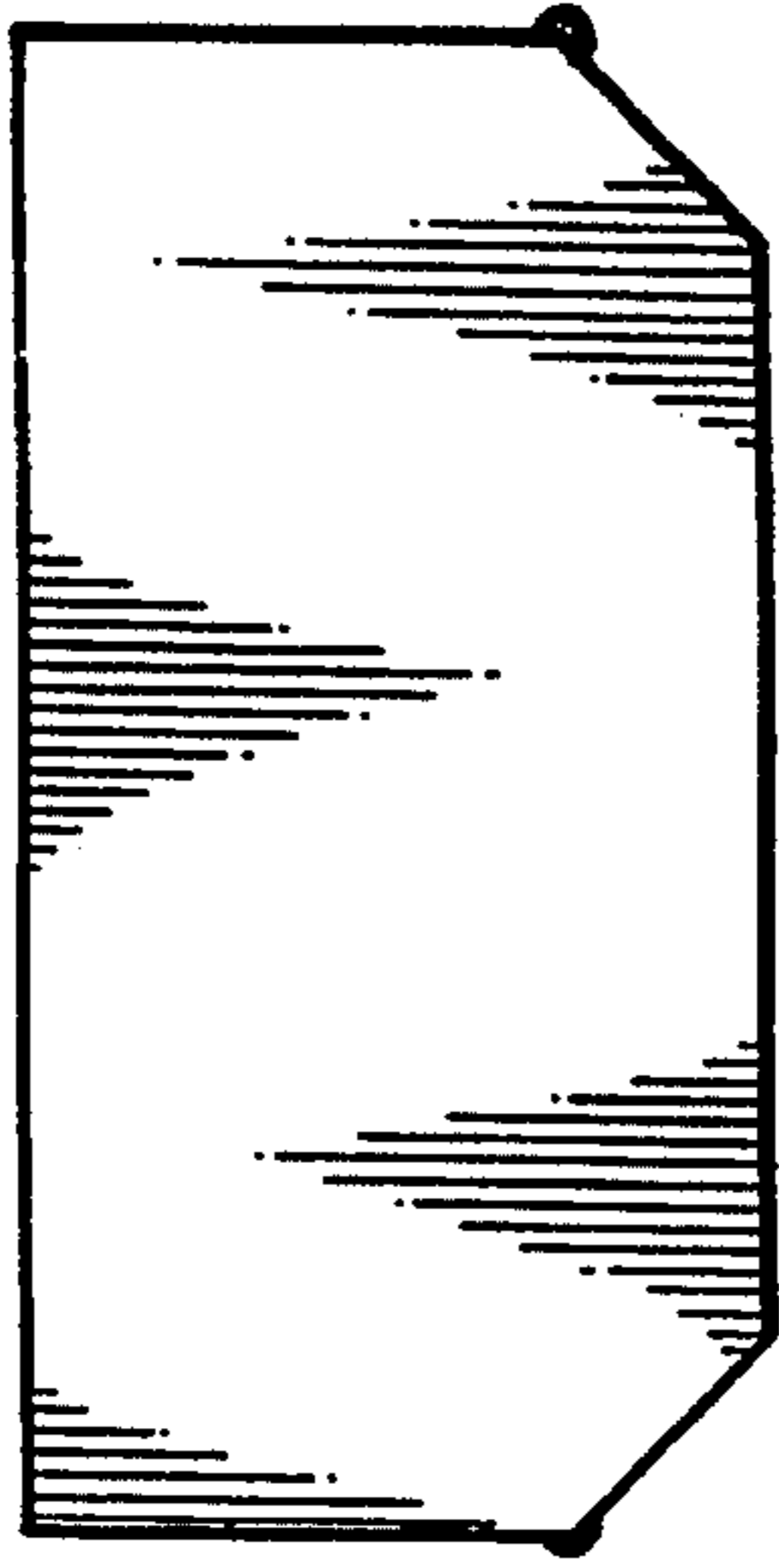


FIG. 5

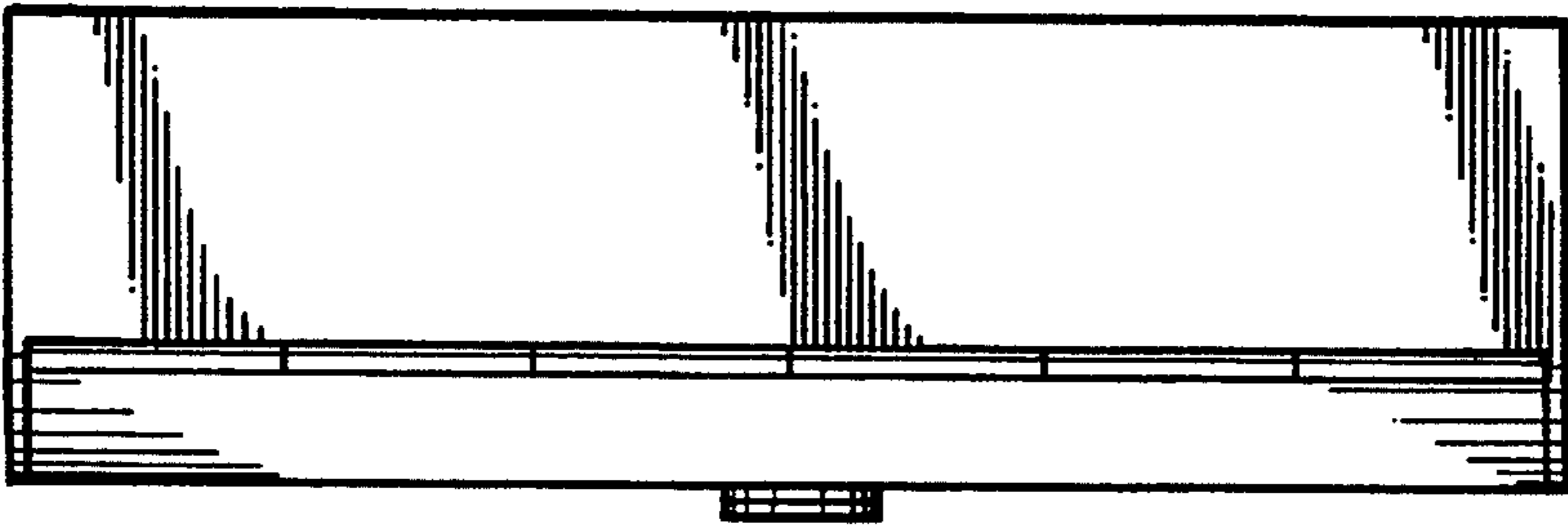


FIG. 4

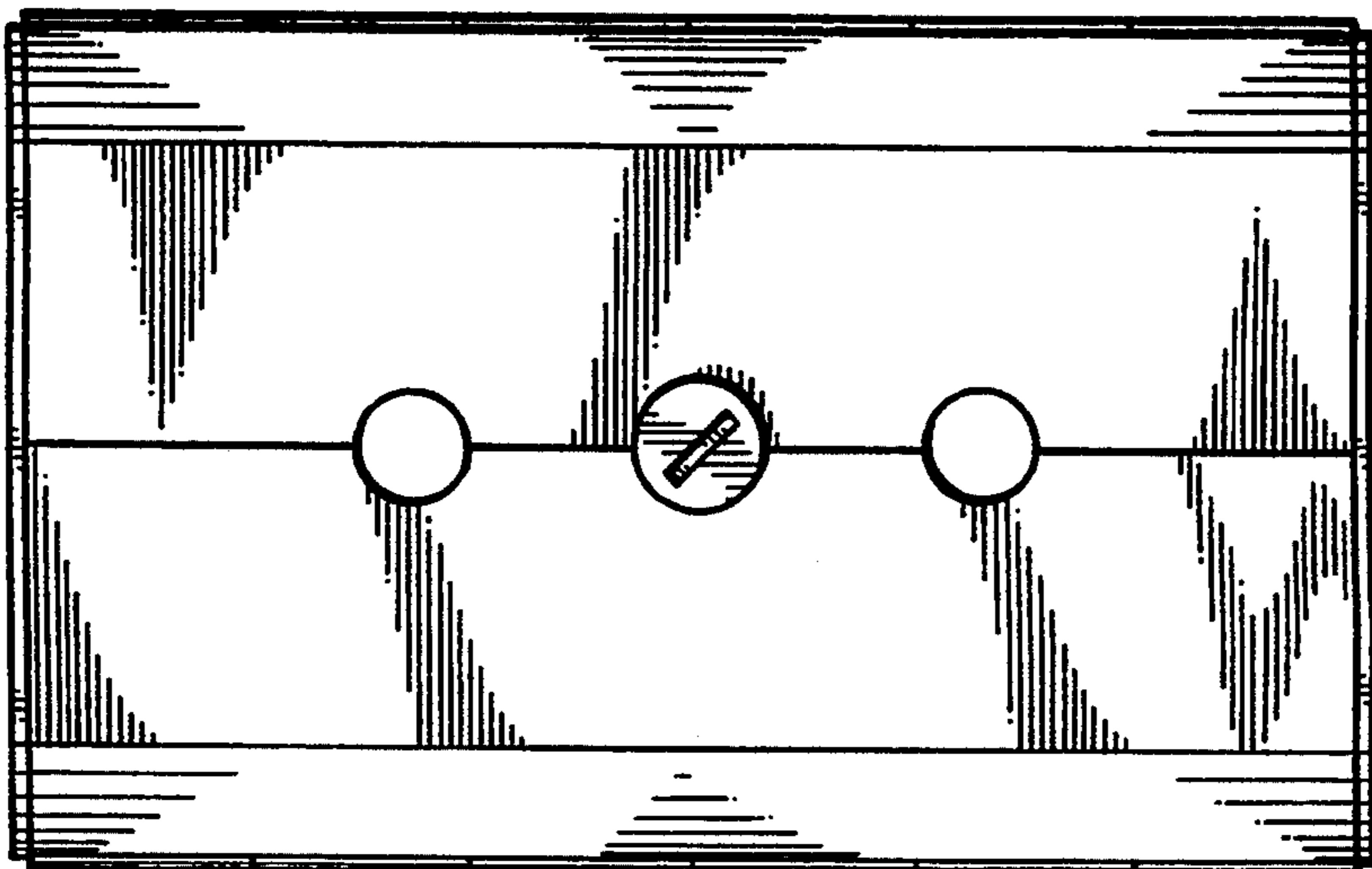


FIG. 3