



US00D354734S

United States Patent [19]
Messelhi

[11] **Patent Number: Des. 354,734**
[45] **Date of Patent: ** Jan. 24, 1995**

[54] **INLINE CABLE SPLICE HOUSING**

[75] **Inventor: Selim Messelhi, Etobicoke, Canada**

[73] **Assignee: Communications Technology Corporation, Dallas, Tex.**

[**] **Term: 14 Years**

[21] **Appl. No.: 6,365**

[22] **Filed: Mar. 24, 1993**

[52] **U.S. Cl. D13/156**

[58] **Field of Search D13/156; 439/460, 465; 174/84 R, 92, 93, 88 S, 138 F**

[56] **References Cited**

U.S. PATENT DOCUMENTS

3,147,338	9/1964	Ekvall	174/92 X
4,029,896	6/1977	Skinner	174/92 X
4,435,612	3/1984	Smith	174/92
4,554,401	11/1985	Ball	174/92 X
4,721,830	1/1988	Dagan et al.	174/92 X

FOREIGN PATENT DOCUMENTS

2358031	3/1978	France	174/135
2158993	5/1973	Germany	174/92

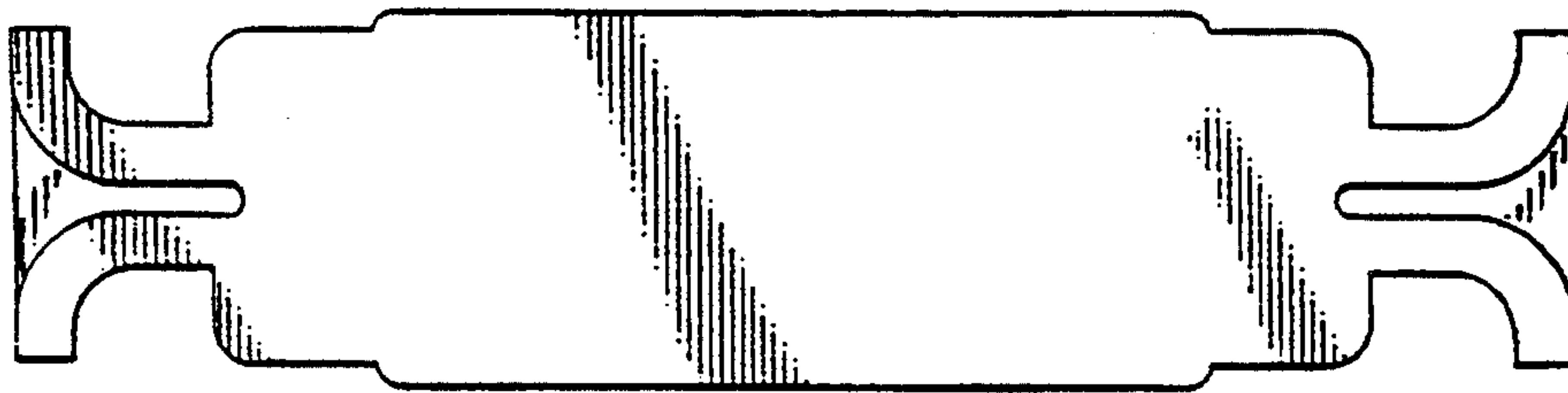
Primary Examiner—Wallace R. Burke
Assistant Examiner—Joel Sincavage
Attorney, Agent, or Firm—Crutsinger & Booth

[57] **CLAIM**

The ornamental design for an inline cable splice housing, as shown and described.

DESCRIPTION

FIG. 1 is a top plan view of an inline cable splice housing showing my new design;
FIG. 2 is a front elevational view thereof, the undisclosed rear elevation being a mirror image of the disclosed front elevation;
FIG. 3 is a bottom plan view;
FIG. 4 is a right side elevational view, the undisclosed left side being a mirror image of the disclosed right side;
FIG. 5 is a top, front and right side perspective view; and,
FIG. 6 is a bottom, rear and left side perspective view.



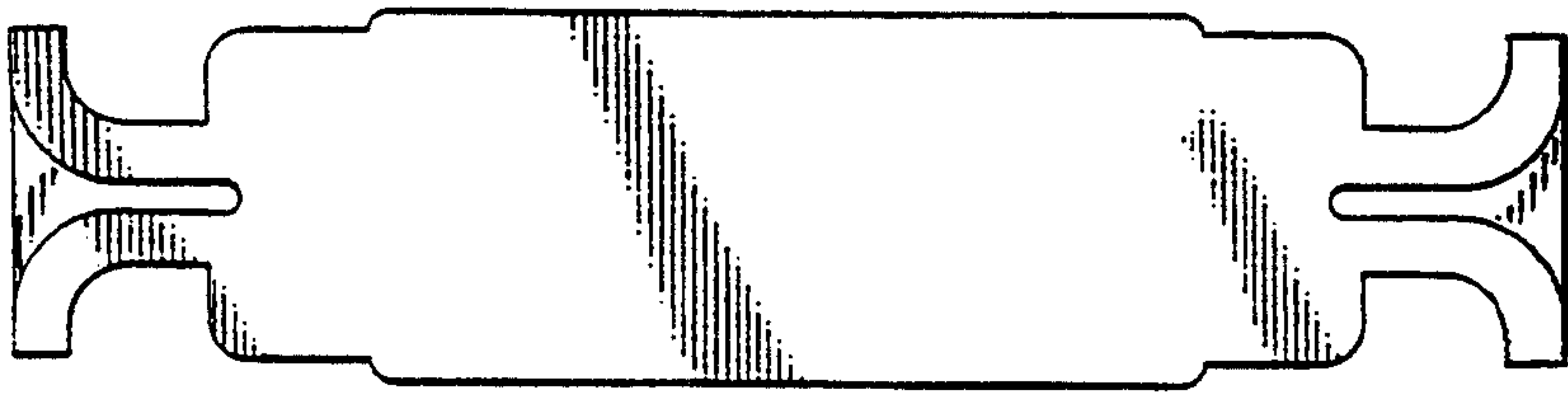


FIG. 1



FIG. 2

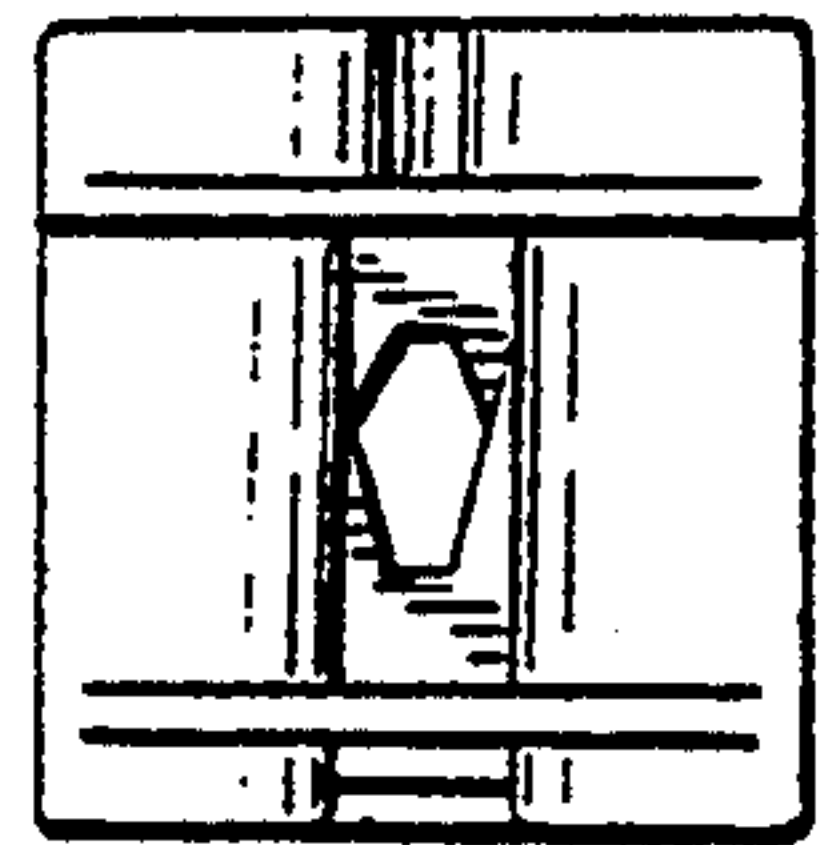


FIG. 4



FIG. 3

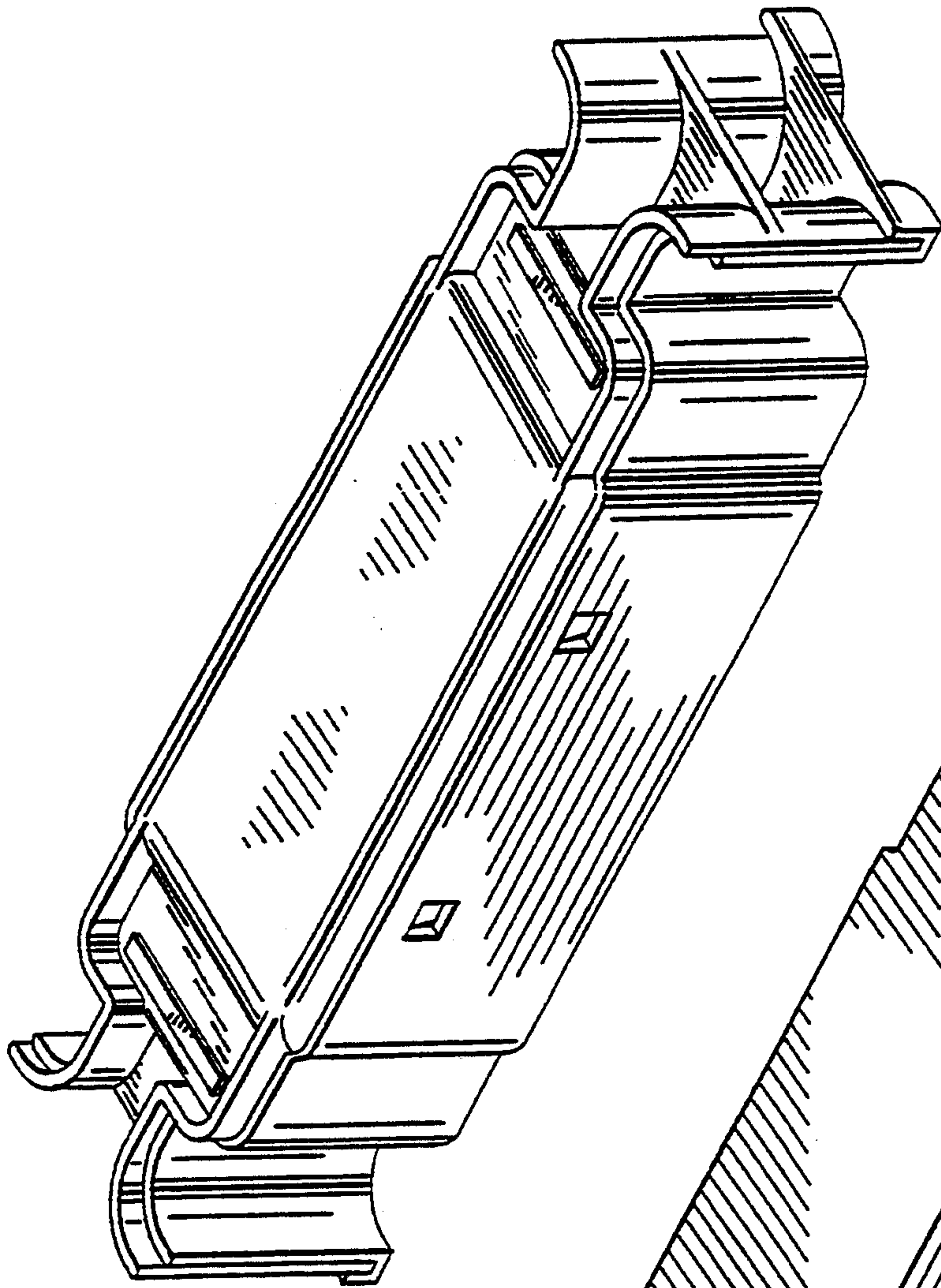


FIG. 6

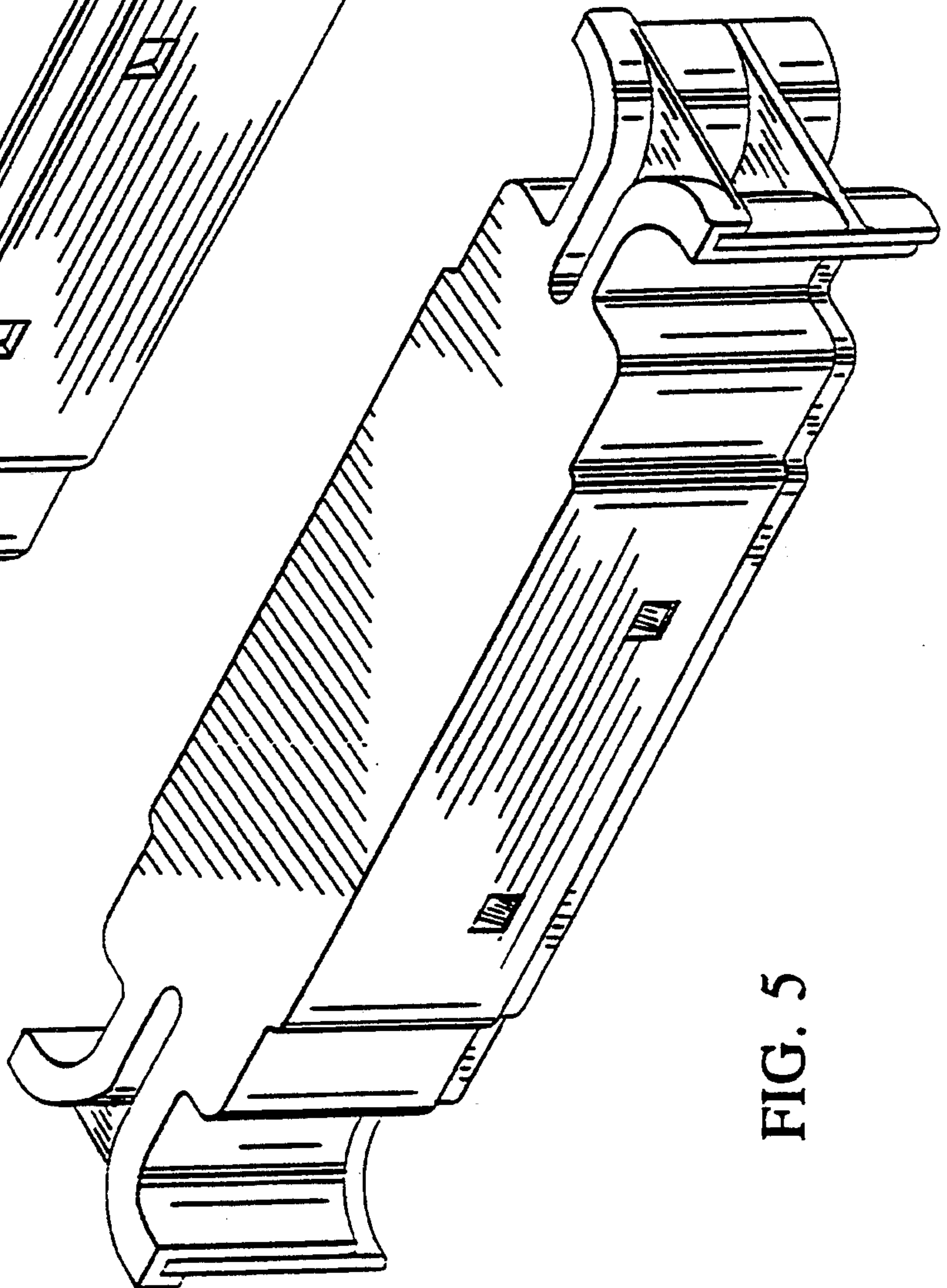


FIG. 5