



US00D354732S

# United States Patent [19]

Oliver et al.

[11] Patent Number: **Des. 354,732**

[45] Date of Patent: **\*\* Jan. 24, 1995**

## [54] FIBER OPTIC INTERCHANGEABLE TRANSCEIVER MODULE

[75] Inventors: **Lloyd N. Oliver, Milpitas; Benjamin T. Speiser, San Francisco, both of Calif.**

[73] Assignee: **3COM Corporation, Santa Clara, Calif.**

[\*] Notice: The portion of the term of this patent subsequent to Dec. 27, 2008 has been disclaimed.

[\*\*] Term: **14 Years**

[21] Appl. No.: **8,481**

[22] Filed: **May 17, 1993**

[52] U.S. Cl. .... **D13/147**

[58] Field of Search ..... **D13/147, 162, 164, 182; D14/107; 361/728, 736, 737, 741, 748, 752, 756, 760, 796**

### [56] References Cited

#### U.S. PATENT DOCUMENTS

D. 292,698	11/1987	De Vita et al. ....	D13/182
D. 336,746	6/1993	Tse .....	D14/114
4,573,753	3/1986	Vogl .....	439/65
4,716,497	12/1987	Craker .....	361/760 X
4,744,006	5/1988	Duffield .....	361/785 X
4,745,524	5/1988	Patton, III .....	361/785 X
4,758,928	7/1988	Wierc et al. ....	439/680 X
4,795,362	1/1989	Vonder et al. ....	439/629 X
5,031,074	7/1991	Ravid .....	361/785 X
5,099,394	3/1992	Hood et al. ....	361/786
5,121,295	6/1992	Lam .....	361/736
5,162,675	11/1992	Olsen et al. ....	439/62 X
5,273,463	12/1993	Kaetsu et al. ....	439/680 X

### FOREIGN PATENT DOCUMENTS

341872	11/1989	European Pat. Off. ....	439/65
84582	3/1989	Japan .....	439/62

### OTHER PUBLICATIONS

Card-monolithic chip on card subassembly on p. 2867 of IBM Technical Disclosure Bulletin vol. 14 No. 10 Mar. 1972.

Computer cards on p. 73 of *MCM Electronics* Summer 1991 catalog.

*Primary Examiner*—Wallace R. Burke

*Assistant Examiner*—Joel Sincavage

*Attorney, Agent, or Firm*—Townsend and Townsend Khourie and Crew

### [57] CLAIM

The ornamental design for a fiber optic interchangeable transceiver module, as shown and described.

### DESCRIPTION

FIG. 1 is a perspective view of a fiber optic interchangeable transceiver module showing our new design;

FIG. 2 is a top plan view thereof;

FIG. 3 is a front plan view thereof;

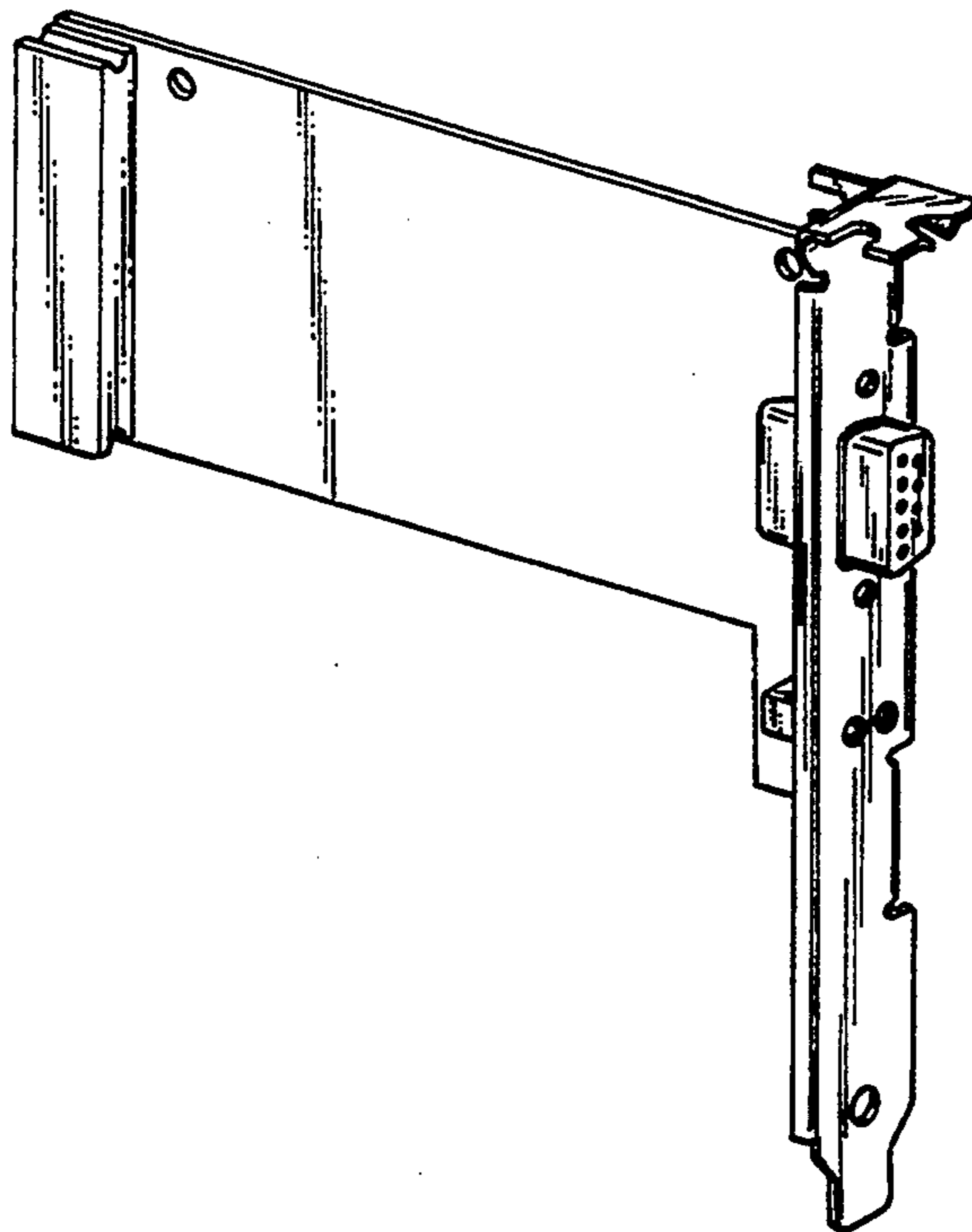
FIG. 4 is a left side plan view;

FIG. 5 is a right side plan view;

FIG. 6 is a bottom plan view thereof;

FIG. 7 is a rear plan view thereof; and,

FIG. 8 is a front plan view thereof showing out design with a network adapter card. The broken line showing of the adapter card is included for the purpose of illustrating environmental structure only and forms no part of the claimed design.



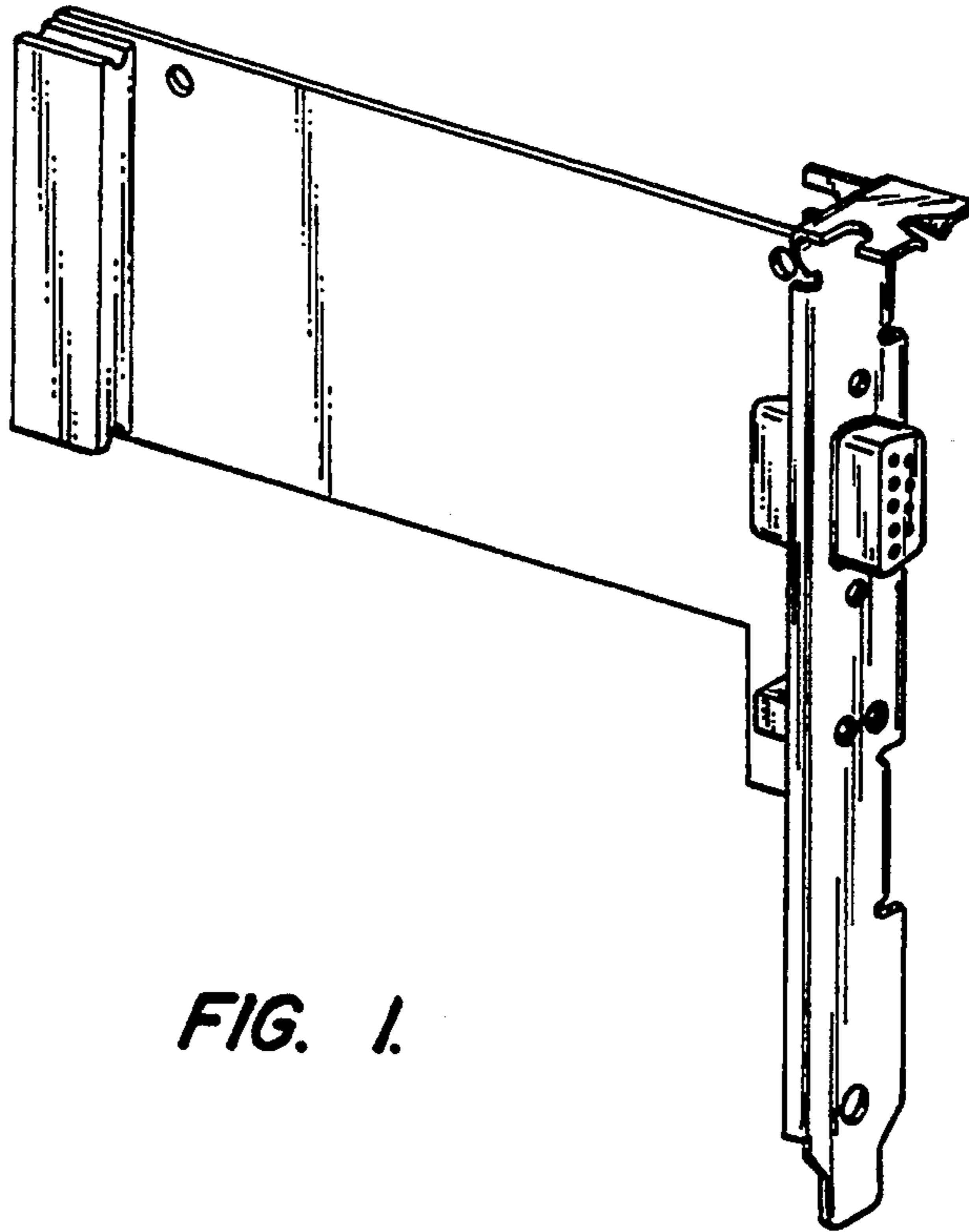


FIG. 1.

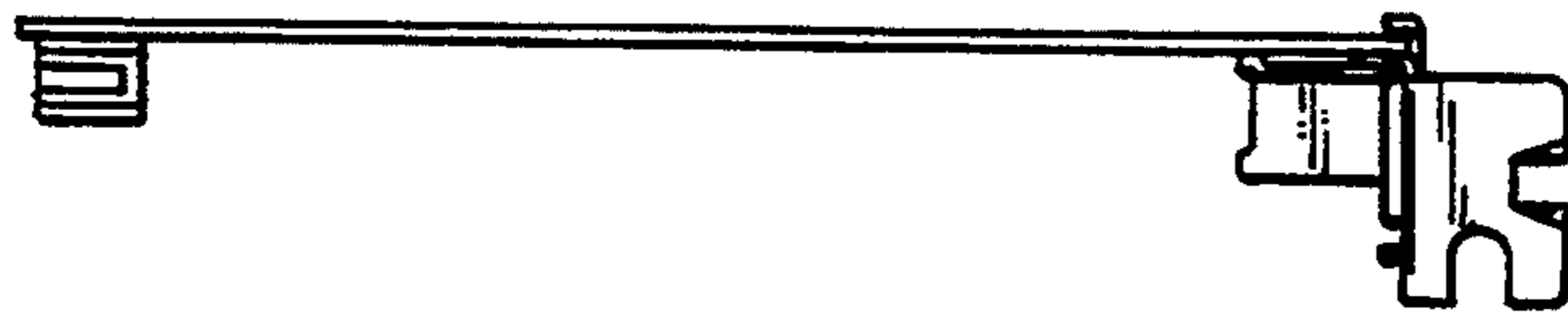


FIG. 2.

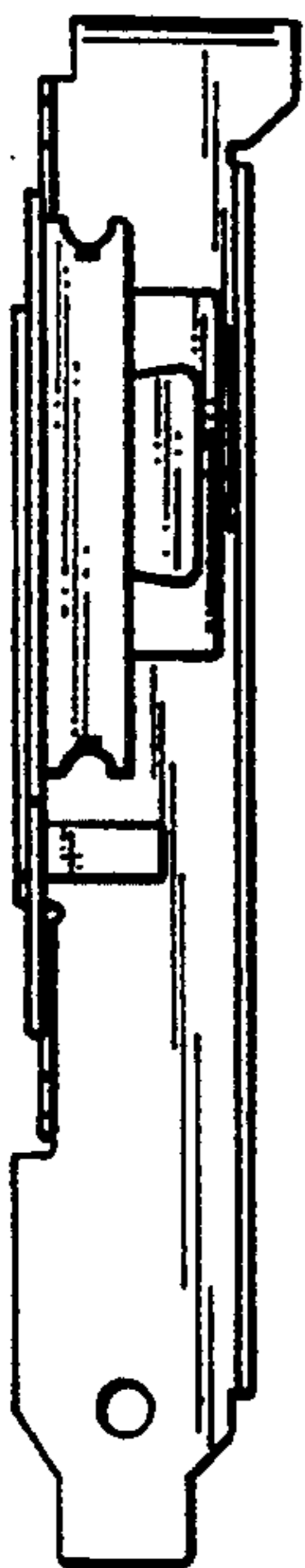


FIG. 4.

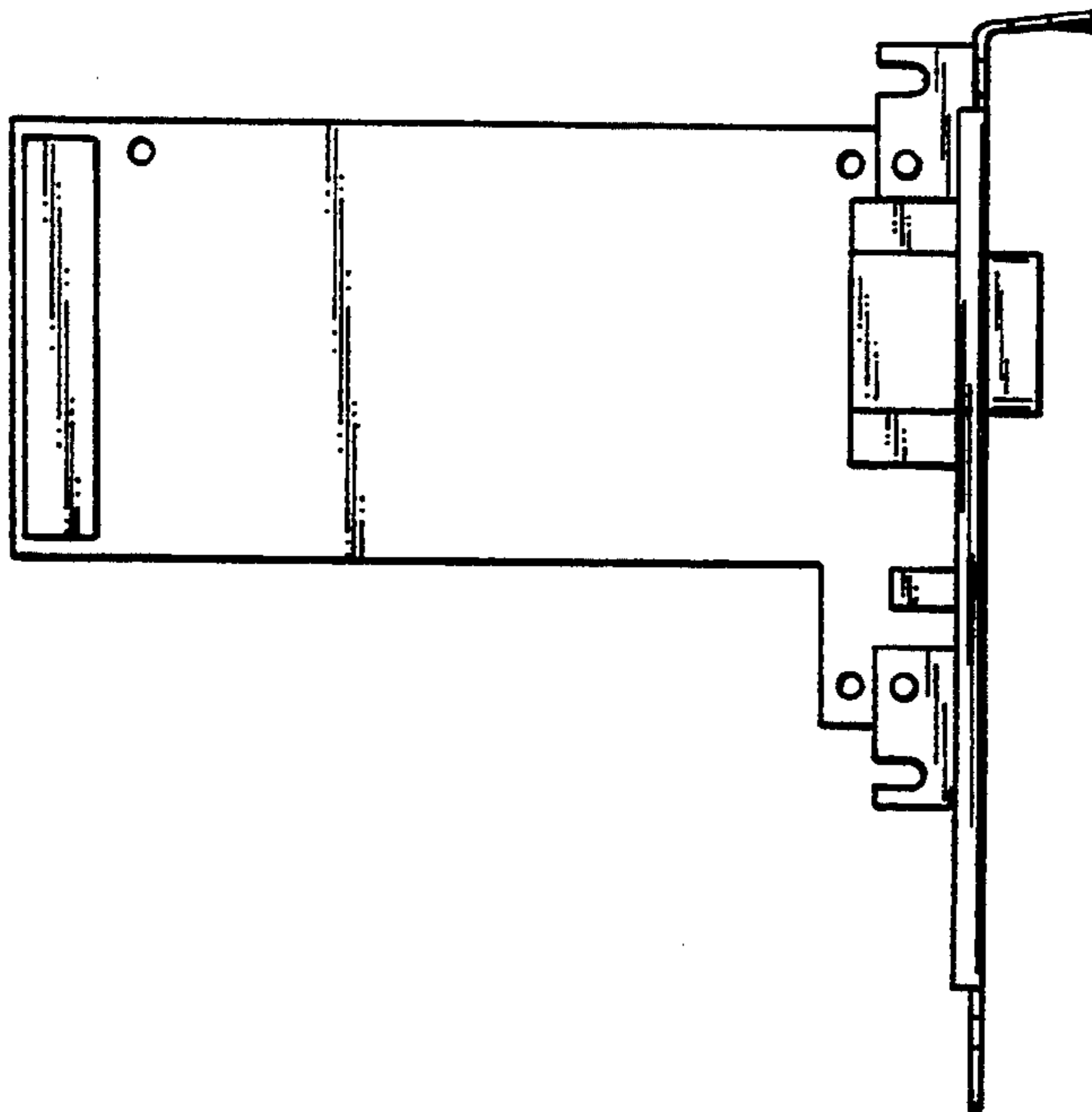


FIG. 3.

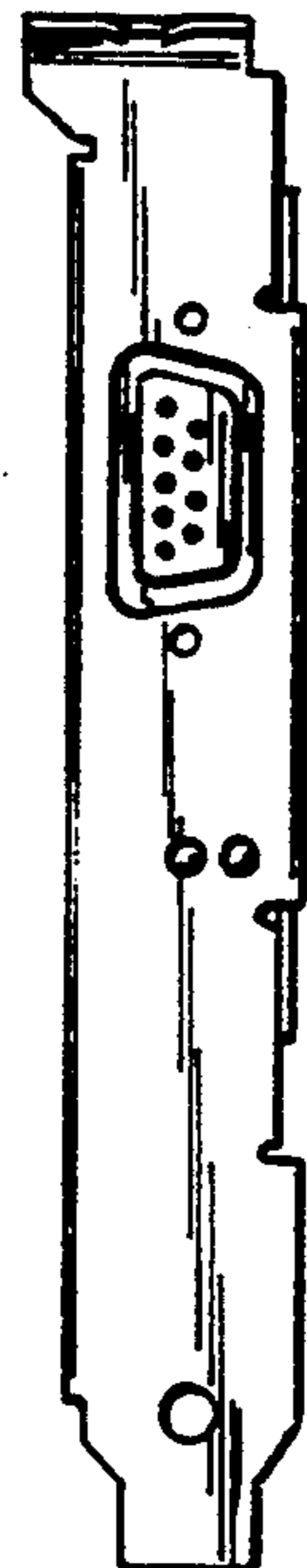
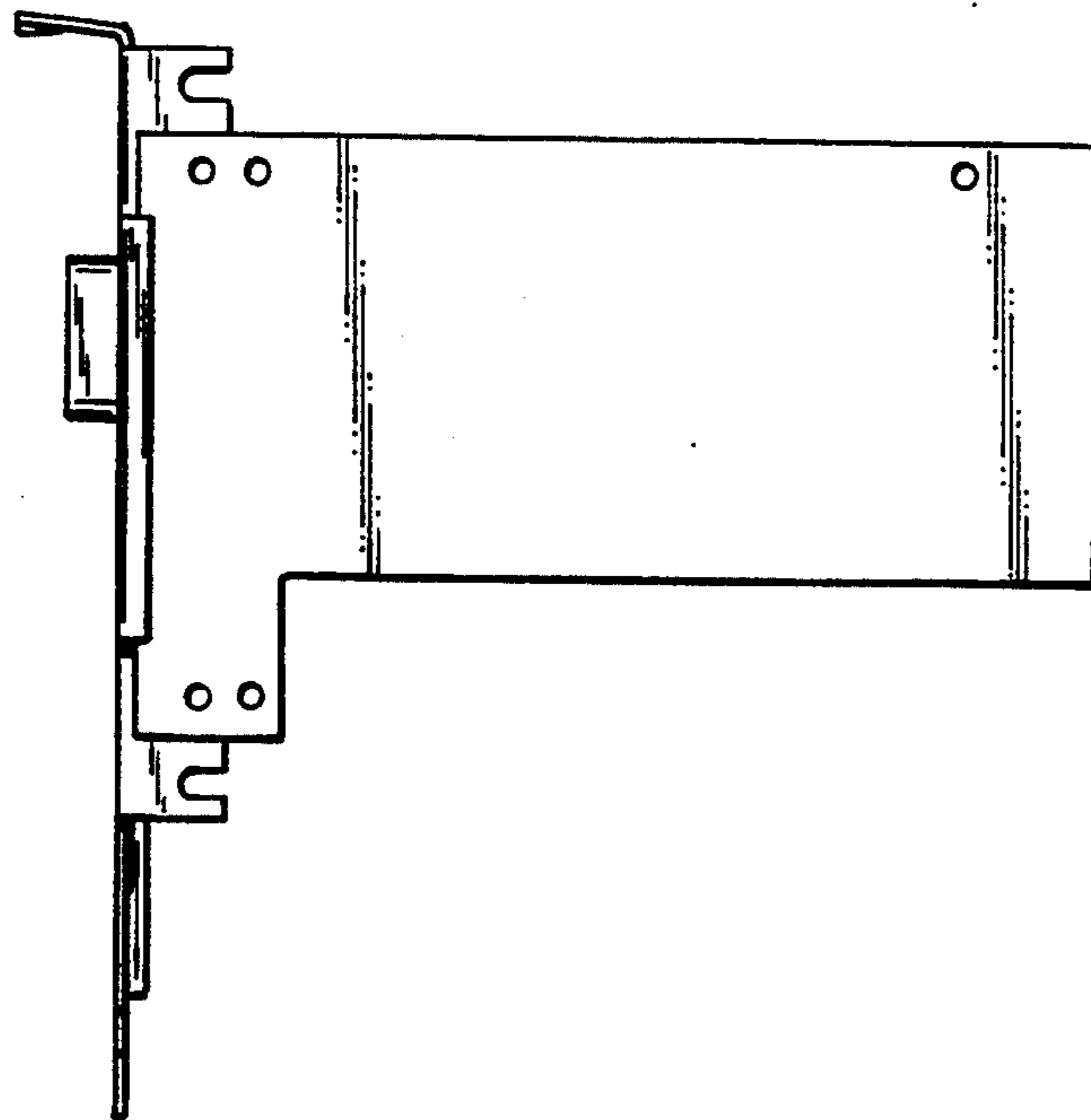


FIG. 5.



*FIG. 6.*



*FIG. 7.*

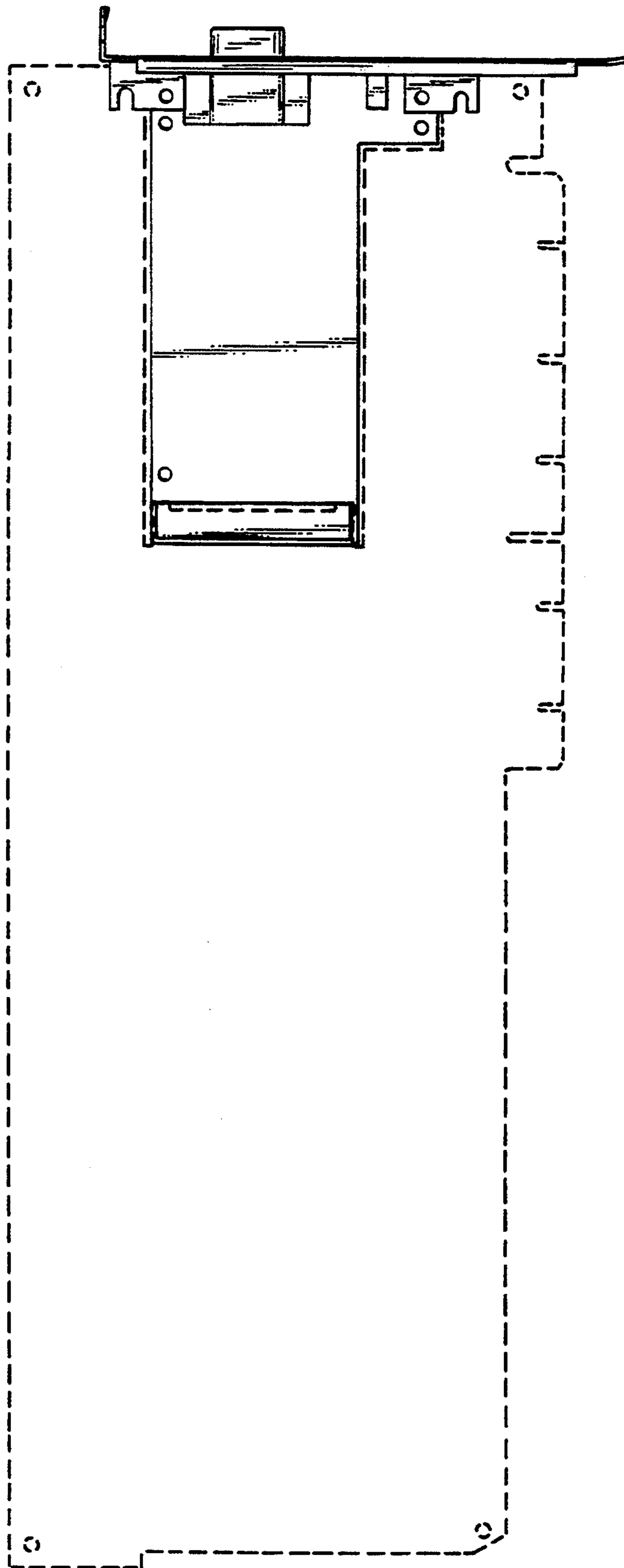


FIG. 8.

UNITED STATES PATENT AND TRADEMARK OFFICE  
**CERTIFICATE OF CORRECTION**

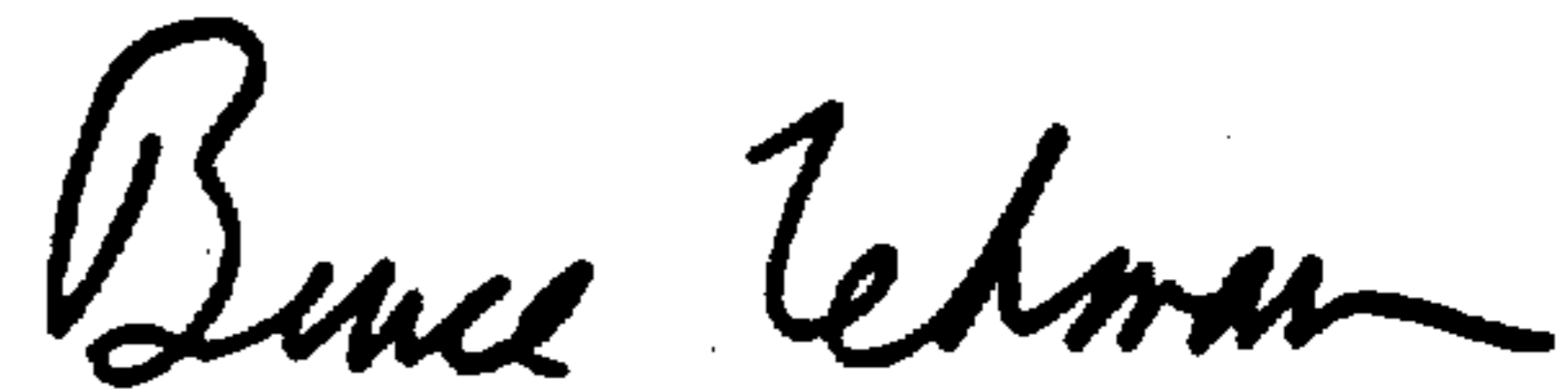
PATENT NO. : Des. 354,732  
DATED : January 24, 1995  
INVENTOR(S) : Lloyd N. Oliver and Benjamin T. Speiser

It is certified that error appears in the above-identified patent and that said Letters Patent is hereby corrected as shown below:

On the title page: Item 54 and Column 1, line 1-2,  
, change the title from "FIBER OPTIC  
INTERCHANGEABLE TRANSCEIVER MODULE" to --INTERCHANGEABLE  
TRANSCEIVER MODULE--.

Signed and Sealed this  
Twenty-fifth Day of April, 1995

Attest:



BRUCE LEHMAN

Attesting Officer

Commissioner of Patents and Trademarks