



US00D354721S

United States Patent [19]

[11] Patent Number: **Des. 354,721**

Bortoli et al.

[45] Date of Patent: **** Jan. 24, 1995**

[54] TANK TURRET

| | | | |
|-----------|--------|-----------------------|----------|
| 3,140,639 | 7/1964 | Werner | 89/36.08 |
| 3,687,003 | 8/1972 | Zurbuchen et al. | 89/36.08 |
| 4,583,444 | 4/1986 | Jackson | 89/36.08 |
| 5,105,718 | 4/1992 | Sprafke et al. | 89/36.08 |

[75] Inventors: **Marc Bortoli, Poissy; Jean-Noël Patry, Voisins-le-Bretonneux, both of France**

[73] Assignee: **GIAT Industries, Versailles Cedex, France**

[**] Term: **14 Years**

Primary Examiner—Wallace R. Burke
Assistant Examiner—M. Brown
Attorney, Agent, or Firm—Knobbe, Martens, Olson & Bear

[21] Appl. No.: **862,274**

[57] **CLAIM**

[22] Filed: **Apr. 2, 1992**

The ornamental design for a tank turret, as shown.

[52] U.S. Cl. **D12/12**

DESCRIPTION

[58] Field of Search **D12/12, 131; 89/36.08, 89/36 H, 36 L**

FIG. 1 is a perspective view of the tank turret of the present invention;

[56] **References Cited**

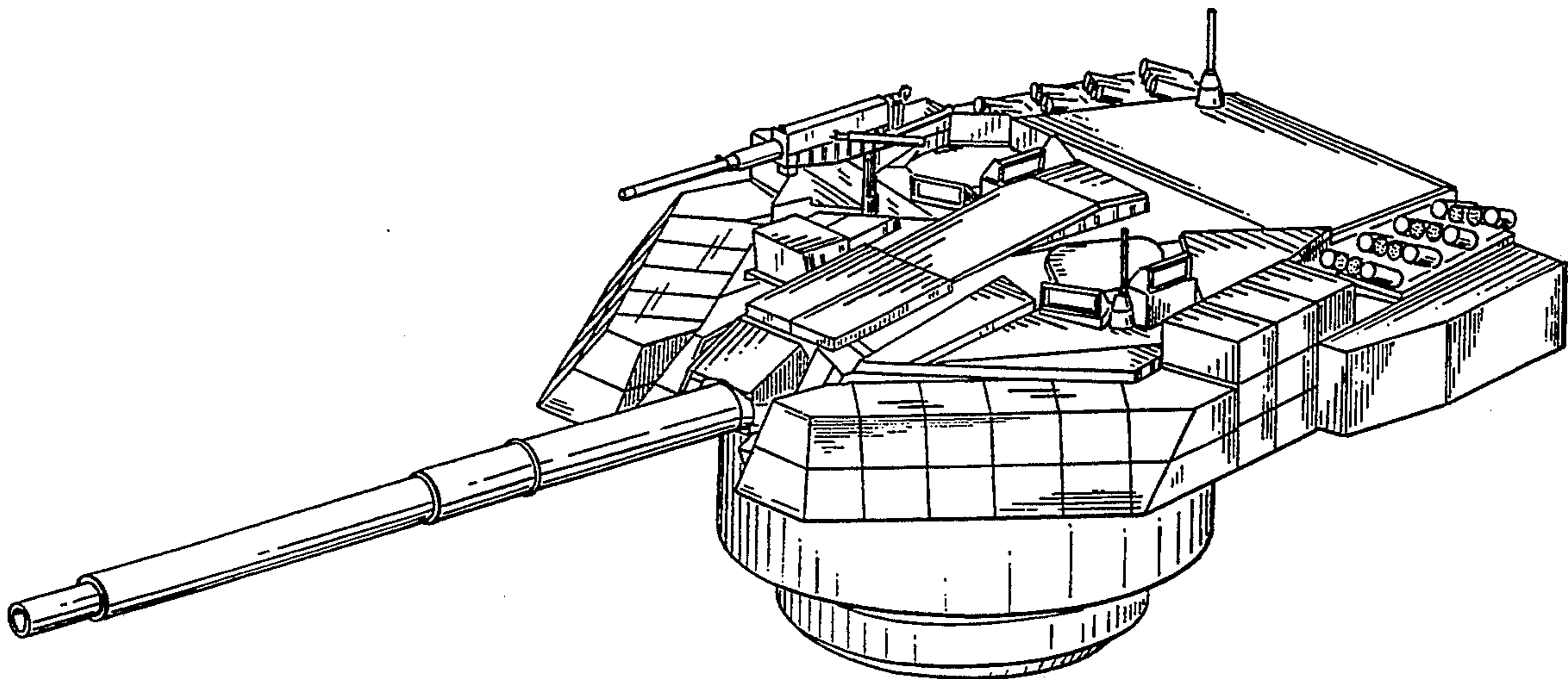
FIG. 2 is a top plan view of the tank turret of the present invention;

U.S. PATENT DOCUMENTS

- D. 264,322 5/1982 LeBlanc D12/12
- D. 275,271 8/1984 LeBlanc D12/12
- D. 283,881 5/1986 Le Blanc D12/12

FIG. 3 is a rear elevational view of the tank turret of the present invention; and,

FIG. 4 is a front elevational view of the tank turret of the present invention.



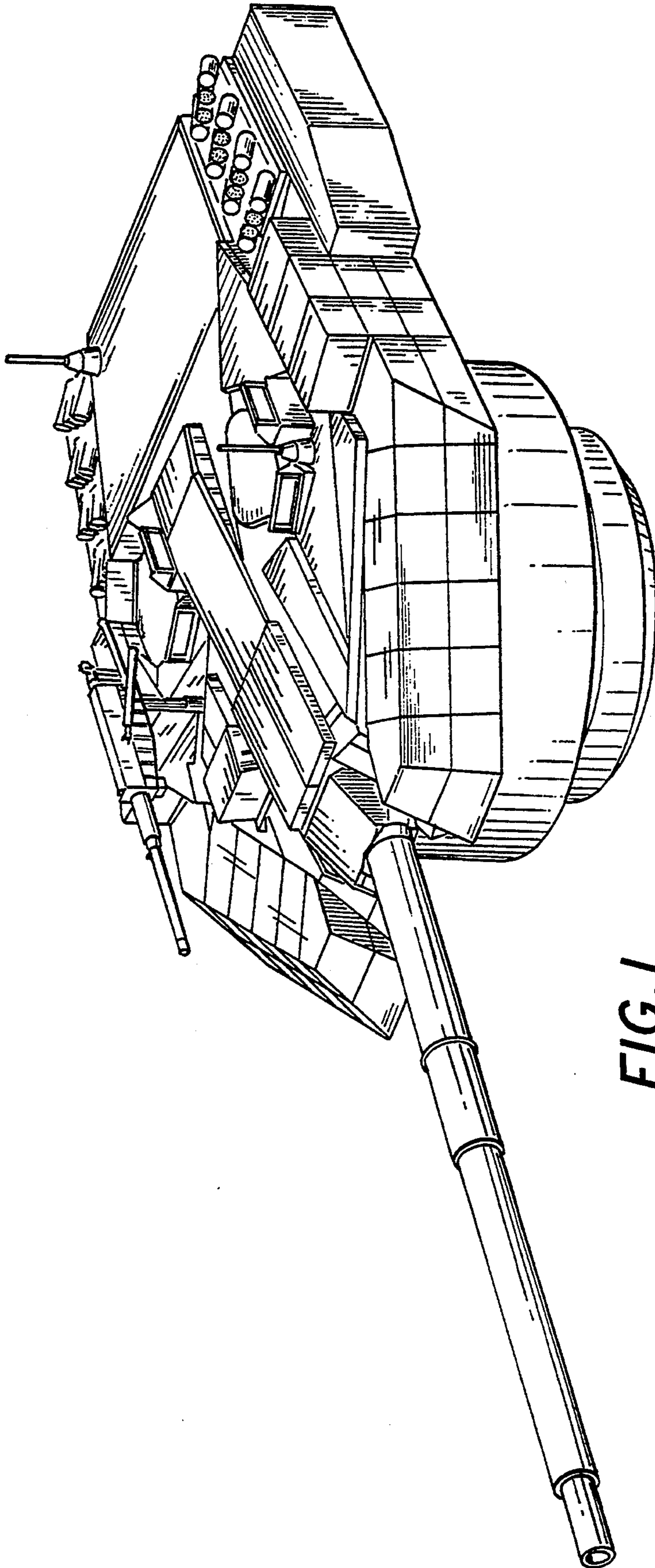


FIG. 1

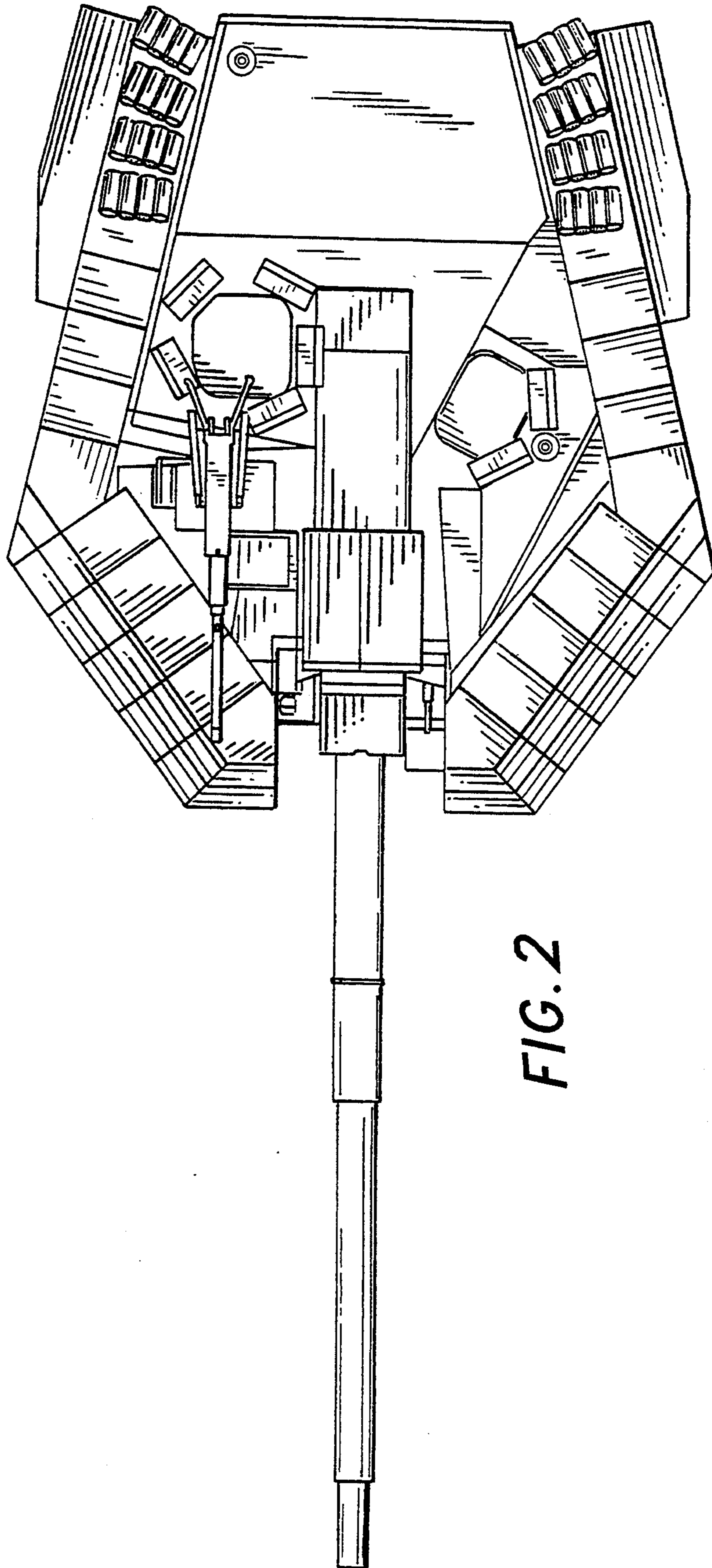


FIG. 2

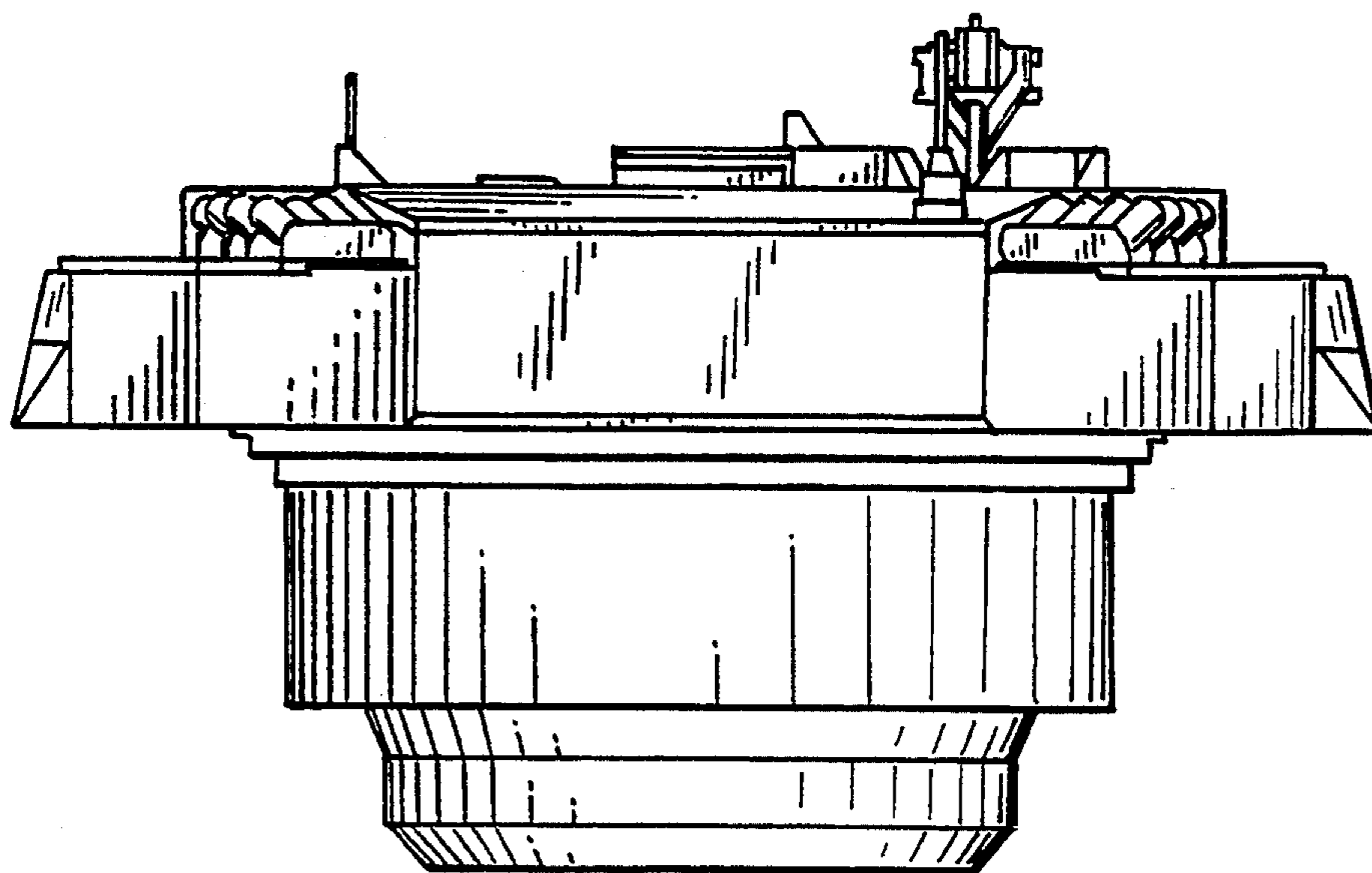


FIG. 3

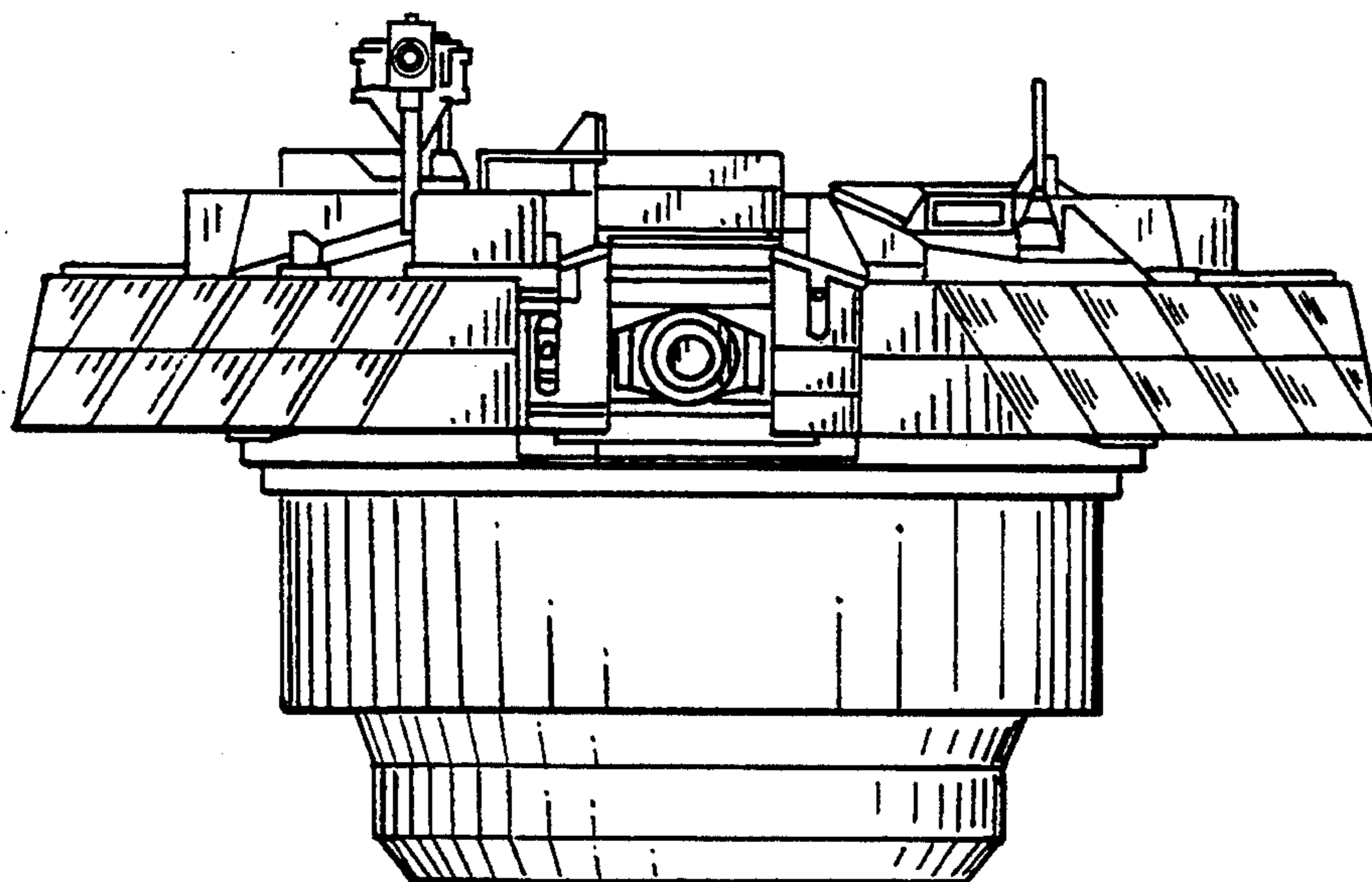


FIG. 4