



US00D354720S

# United States Patent [19]

[11] Patent Number: **Des. 354,720**

Estes

[45] Date of Patent: **\*\* Jan. 24, 1995**

[54] **BUTTON**

[76] Inventor: **David R. Estes, 3154 Autumn Shores Dr., St. Louis, Mo. 63044**

[\*\*] Term: **14 Years**

[21] Appl. No.: **13,726**

[22] Filed: **Sep. 30, 1993**

[52] U.S. Cl. .... **D11/222**

[58] Field of Search ..... **D11/1-2, D11/40-50, 222-228, 116, 65-69, 82-86, 99-102, 104-105; 24/92, 94-95, 100, 113 R, 90 C, 90 E; 63/1.1, 2, 18, 20**

3,654,673	4/1972	Thaeler .	
3,691,597	9/1972	Kahn .	
3,696,470	10/1972	Reynolds .	
3,720,982	3/1973	Myers .	
3,725,979	4/1973	Otsuru .	
3,879,808	4/1975	Alberts .	
3,958,307	5/1976	Ishizaki .	
3,967,348	7/1976	Rogen .	
4,063,312	12/1977	Braillard .	
4,118,803	10/1978	Blau .	
4,662,034	5/1987	Cunningham .	
4,777,704	10/1988	Acker .....	63/20
4,838,886	6/1989	Kent .	
5,010,625	4/1991	Joyer .	

### FOREIGN PATENT DOCUMENTS

2581848	11/1986	France .....	24/90 E
718149	10/1966	Italy .	

*Primary Examiner*—Ralf T. Seifert

*Attorney, Agent, or Firm*—David A. Roodman; Bryan Cave

[56]

### References Cited

#### U.S. PATENT DOCUMENTS

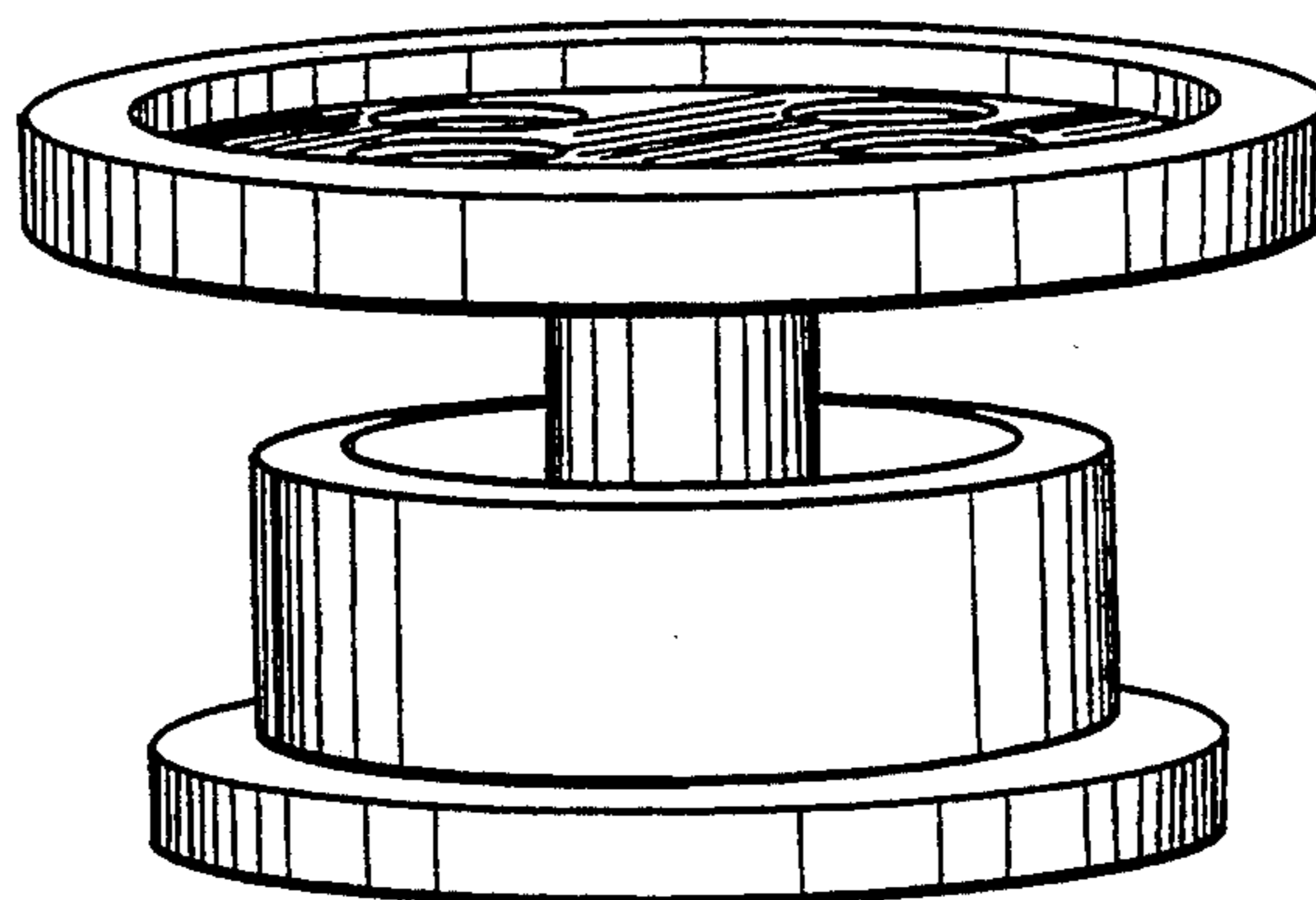
D. 21,869	9/1892	Bushee .....	D11/224
D. 53,134	3/1919	Monagham .....	D11/227
D. 303,234	9/1989	Smith .....	D11/226
328,721	10/1885	Scott .	
375,373	12/1887	May .	
721,203	2/1903	Landman .	
947,557	1/1910	Nelson .....	D11/227
1,026,017	5/1912	Anderson .	
1,594,416	8/1926	Kellog .	
1,619,706	3/1927	Coates .	
2,118,561	5/1938	Kleeberg .	
2,210,799	8/1940	Denny .	
2,453,227	11/1948	Janes .....	24/95
2,814,047	11/1957	Lev .	
2,901,796	9/1959	Hope .	
3,005,204	10/1961	Silver .	
3,028,646	4/1962	Janes .....	D11/226
3,226,790	1/1966	Brown .	

### [57] CLAIM

The ornamental design for a button, as shown.

#### DESCRIPTION

FIG. 1 is a front and top perspective view of a button showing my new design;  
 FIG. 2 is a front perspective view;  
 FIG. 3 is a bottom plan view;  
 FIG. 4 is a top plan view;  
 FIG. 5 is a front and top perspective view of a second embodiment of that shown in FIG. 1;  
 FIG. 6 is a front perspective view;  
 FIG. 7 is a bottom plan view; and,  
 FIG. 8 is a top plan view thereof.



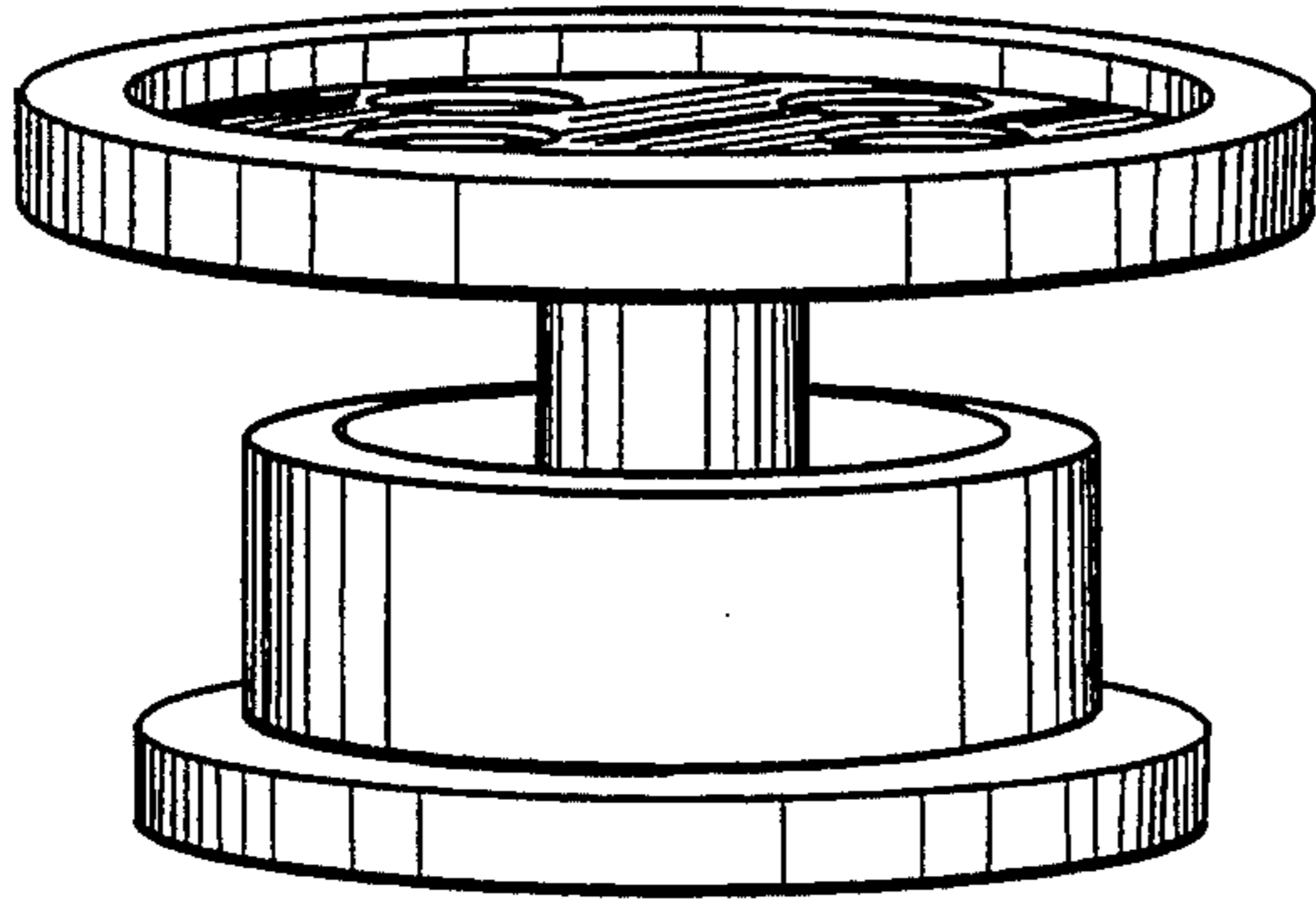


FIG. 1

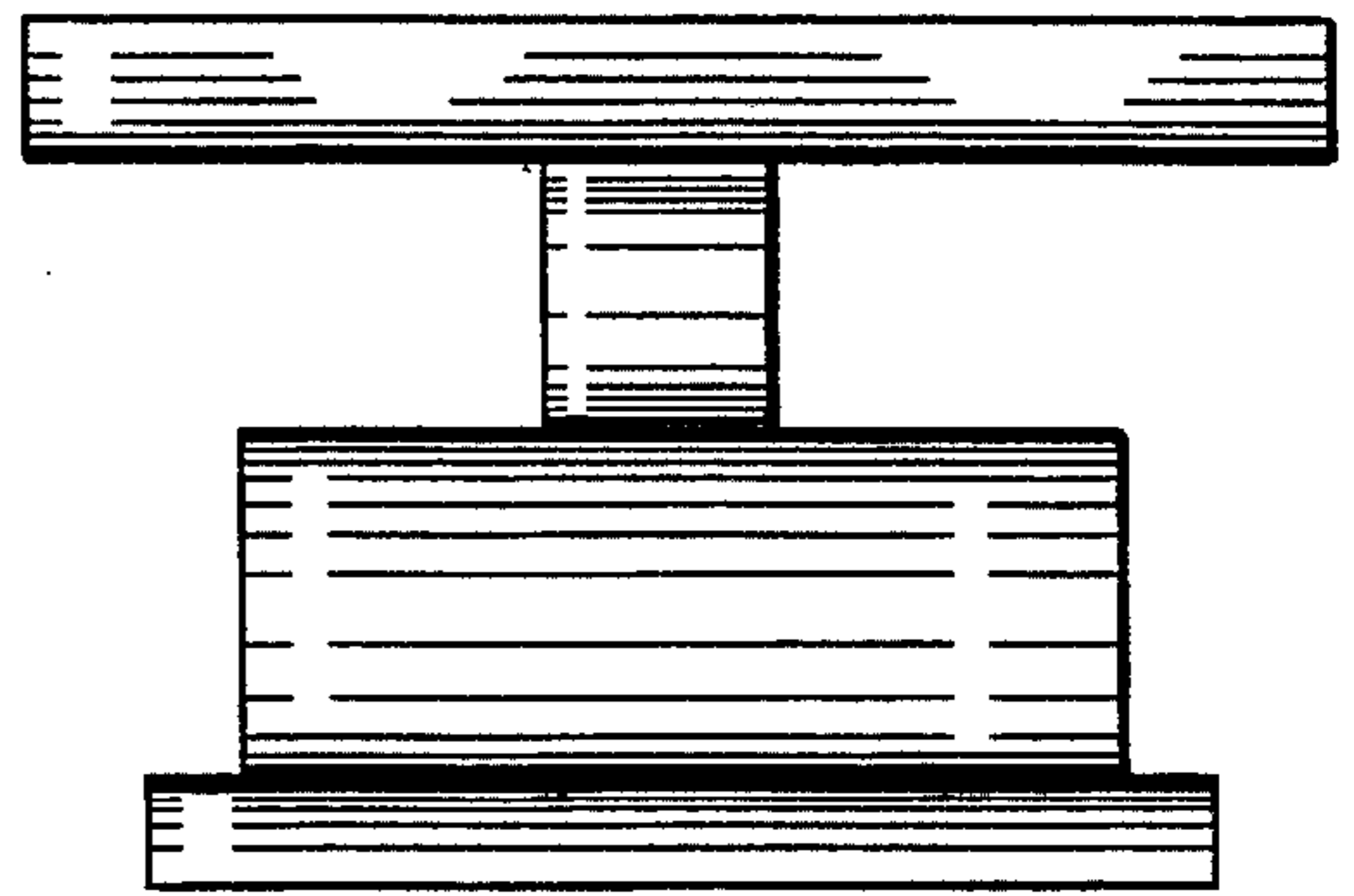


FIG. 2

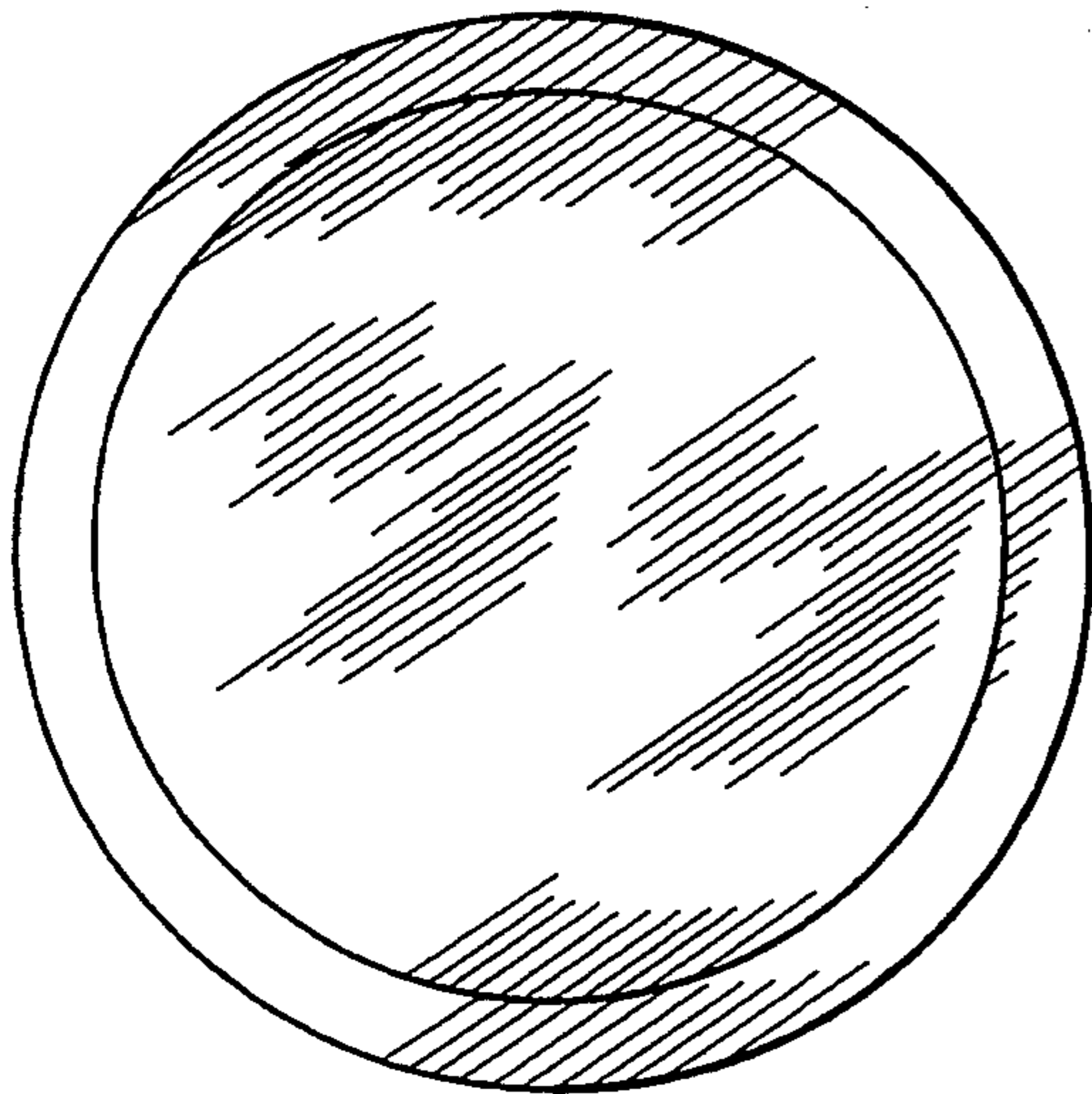


FIG. 3

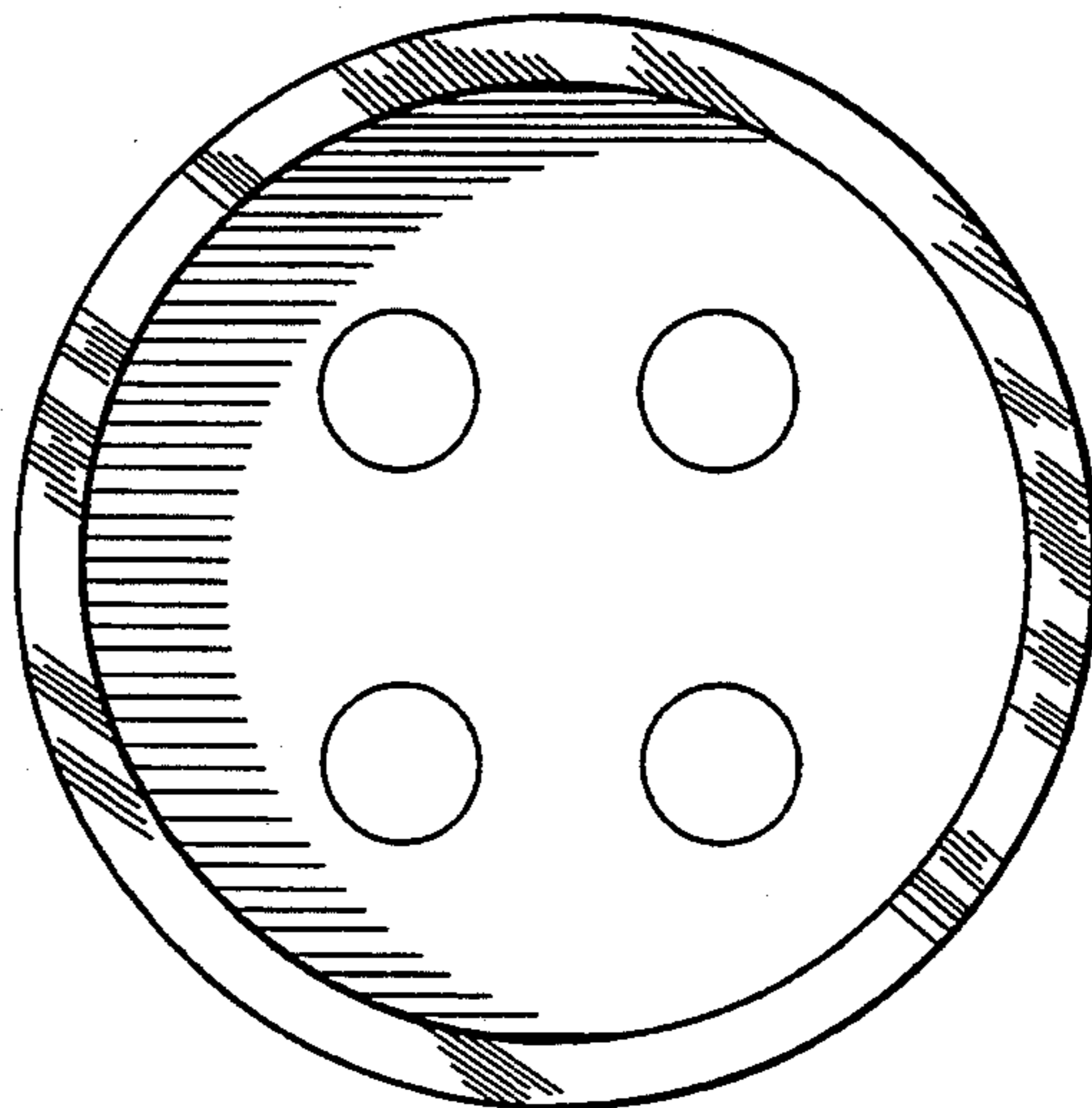


FIG. 4

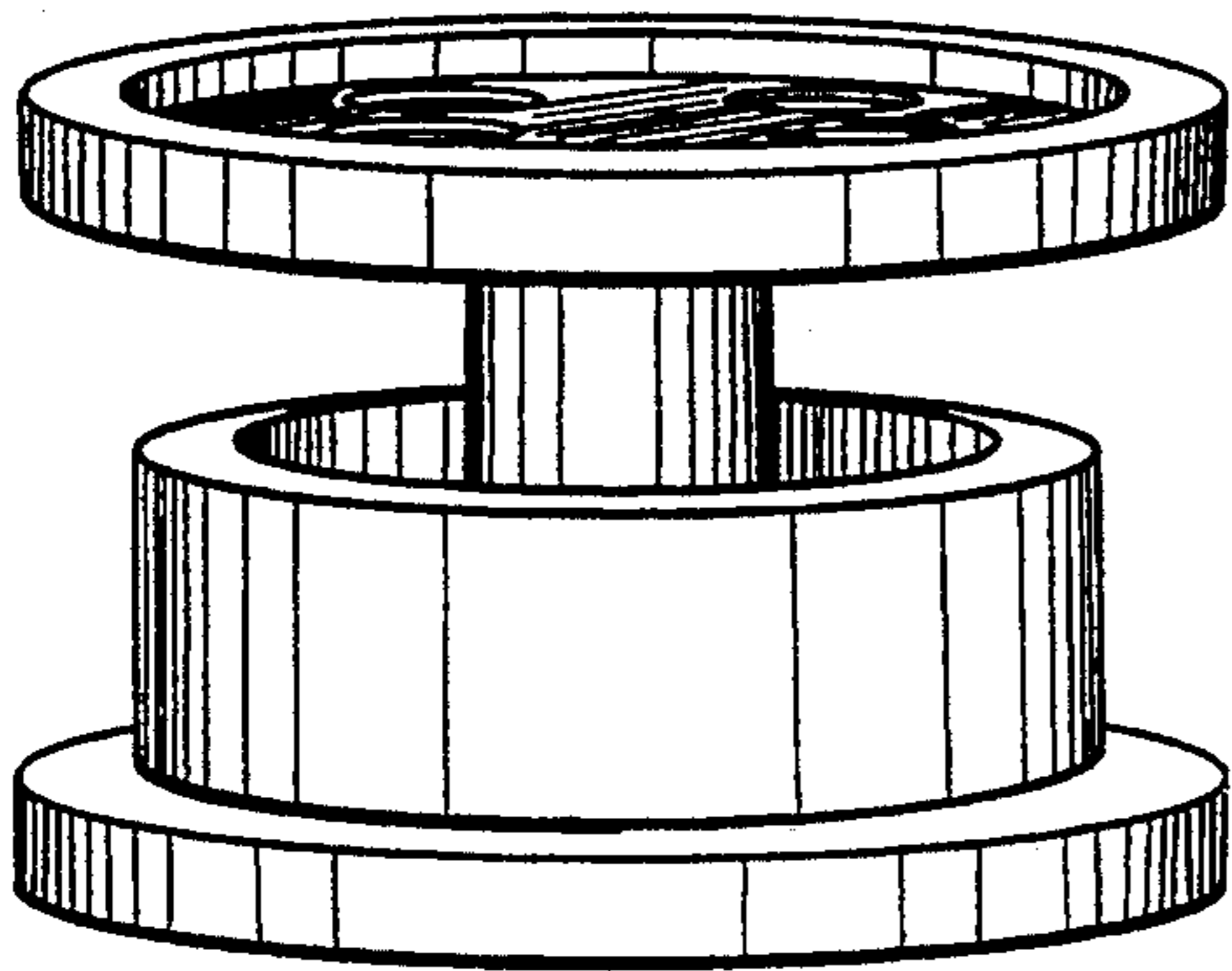


FIG. 5

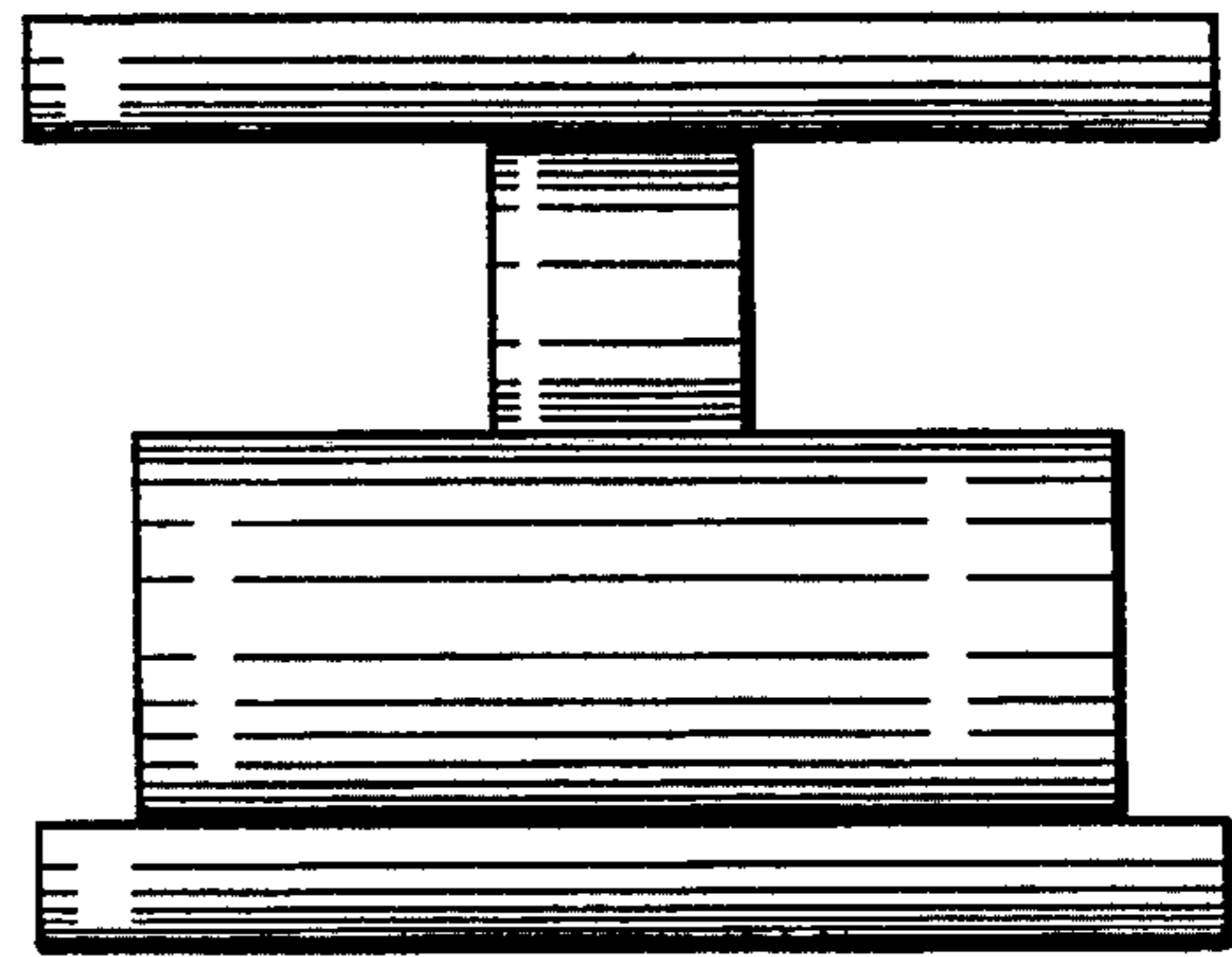


FIG. 6

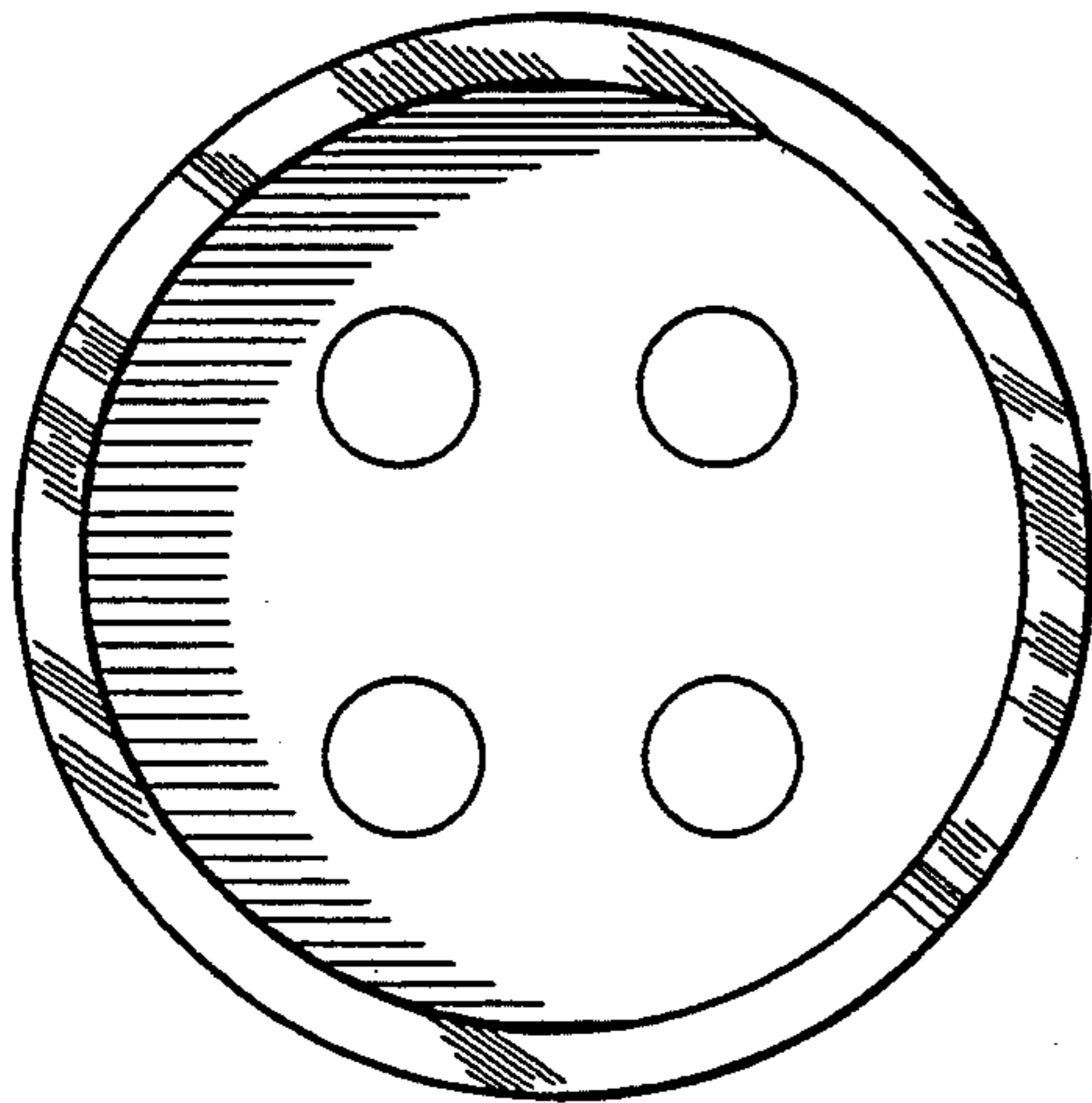


FIG. 7

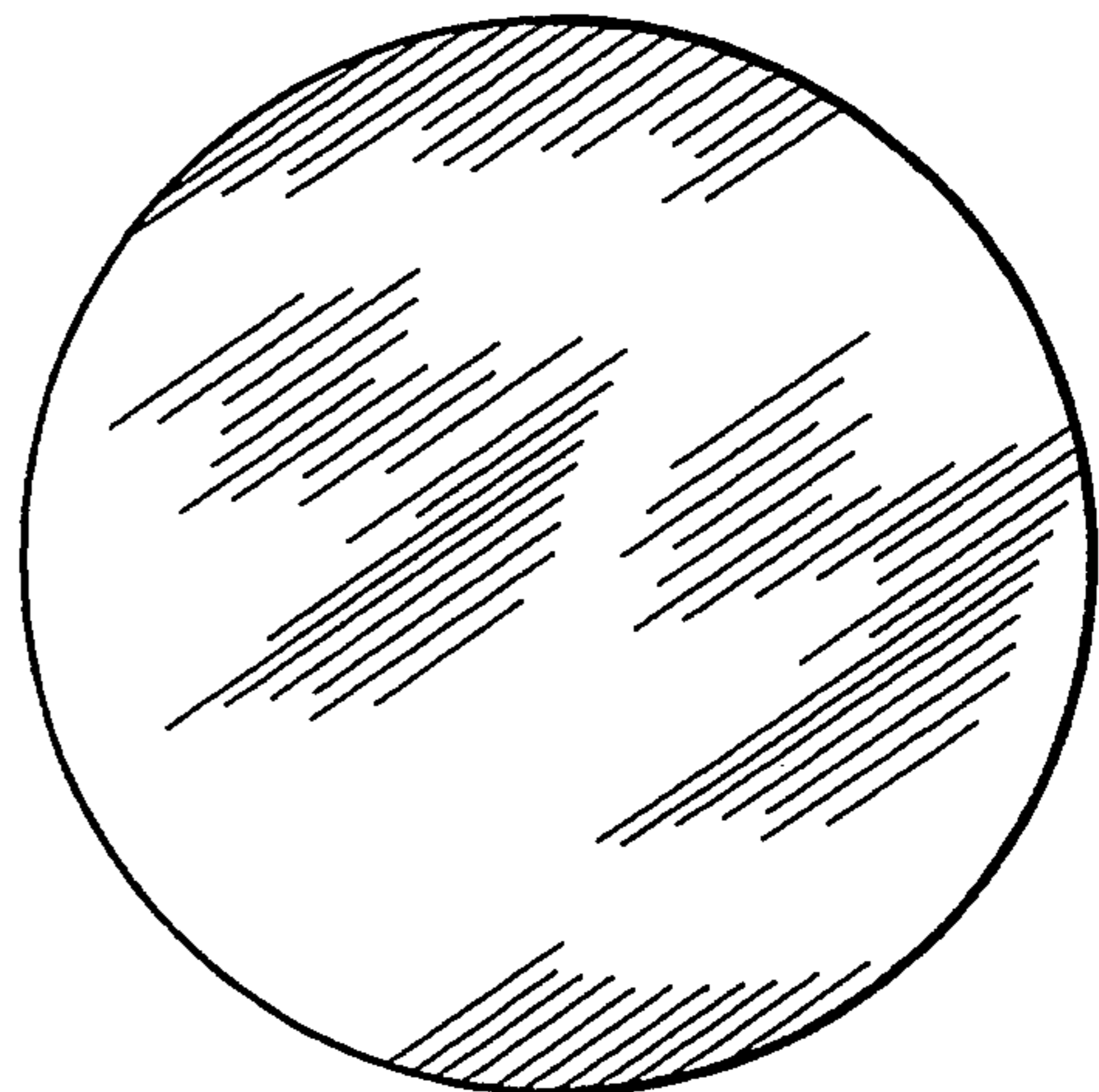


FIG. 8