



US00D354690S

# United States Patent [19]

[11] Patent Number: **Des. 354,690**

Butler et al.

[45] Date of Patent: **\*\* Jan. 24, 1995**

[54] **APPARATUS USEFUL IN TESTING EFFICACY OF INSECT REPELLENTS**

[75] Inventors: **Jerry F. Butler, Gainesville, Fla.;  
Craig B. Warren, Rumson, N.J.**

[73] Assignees: **International Flavors & Fragrances Inc., New York, N.Y.; The University of Florida, Gainesville, Fla.**

[\*\*] Term: **14 Years**

[21] Appl. No.: **15,740**

[22] Filed: **Nov. 26, 1993**

**Related U.S. Application Data**

[60] Continuation-in-part of Ser. No. 982,374, Nov. 24, 1992, Pat. No. 5,281,621, which is a continuation of Ser. No. 789,695, Nov. 8, 1991, abandoned, which is a division of Ser. No. 643,206, Jan. 18, 1991, Pat. No. 5,126,369.

[52] U.S. Cl. .... **D10/46; D22/119; D22/122**

[58] Field of Search ..... **D10/46; D22/119, 120, D22/122, 123, 199; 43/107, 113, 121; 73/866; 424/DIG. 10; 514/459, 919**

[56] **References Cited**

**U.S. PATENT DOCUMENTS**

D. 329,270	9/1992	Der-Jinn .....	D22/120
D. 349,746	8/1994	DeYoreo .....	D22/119 X
3,319,374	5/1967	Gawne .....	43/113 X
5,148,626	9/1992	Haake, Sr. ....	43/121
5,228,233	7/1993	Butler et al. ....	43/113
5,301,458	4/1994	Deyoreo et al. ....	43/113 X
5,311,697	5/1994	Cavanaugh et al. ....	43/113 X
5,327,675	7/1994	Butler et al. ....	43/113

*Primary Examiner*—Alan P. Douglas  
*Assistant Examiner*—Antoine D. Davis  
*Attorney, Agent, or Firm*—Arthur L. Liberman

[57] **CLAIM**

The ornamental design for an apparatus useful in testing efficacy of insect repellents, as shown and described.

**DESCRIPTION**

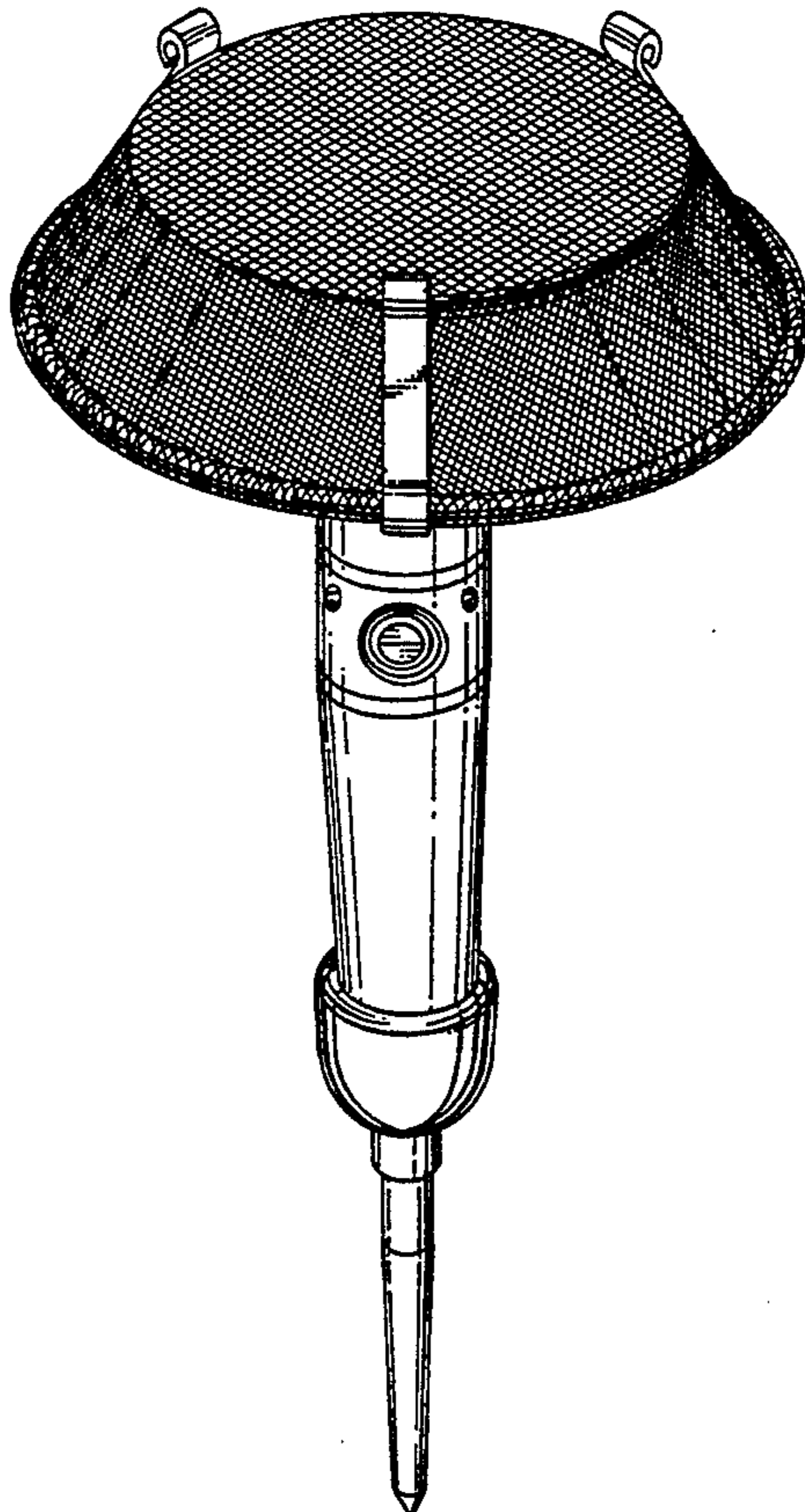
FIG. 1 is a perspective view of an apparatus useful in testing the efficacy of insect repellents, showing our new design;

FIG. 2 illustrates a front side elevation view of the apparatus according to FIG. 1.

FIG. 3 shows a back side elevation view of the apparatus according to FIG. 2.

FIG. 4 is a top plan view of the apparatus of FIG. 2; and,

FIG. 5 shows a bottom plan view of the apparatus of FIG. 2.



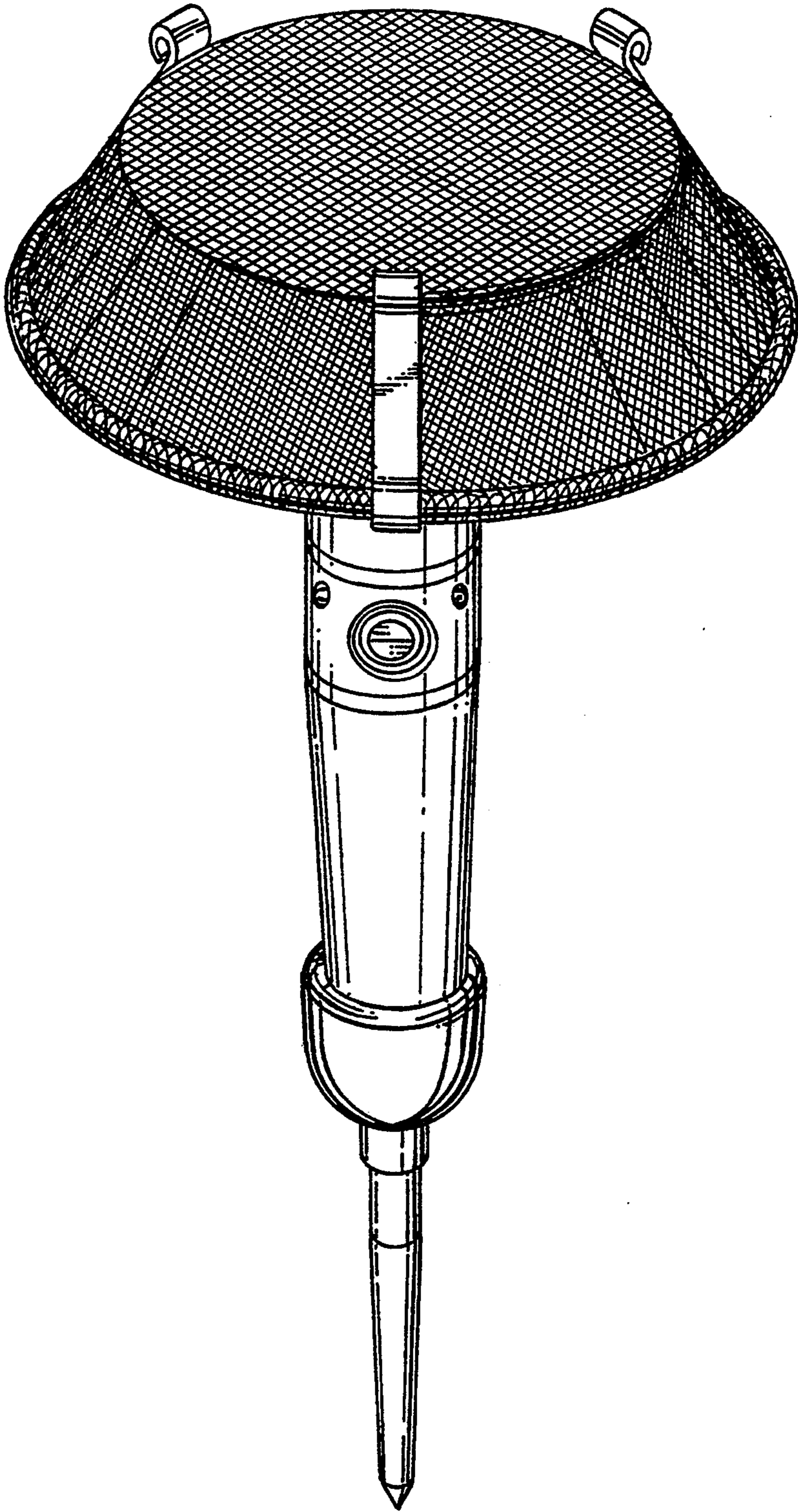


FIG. 1

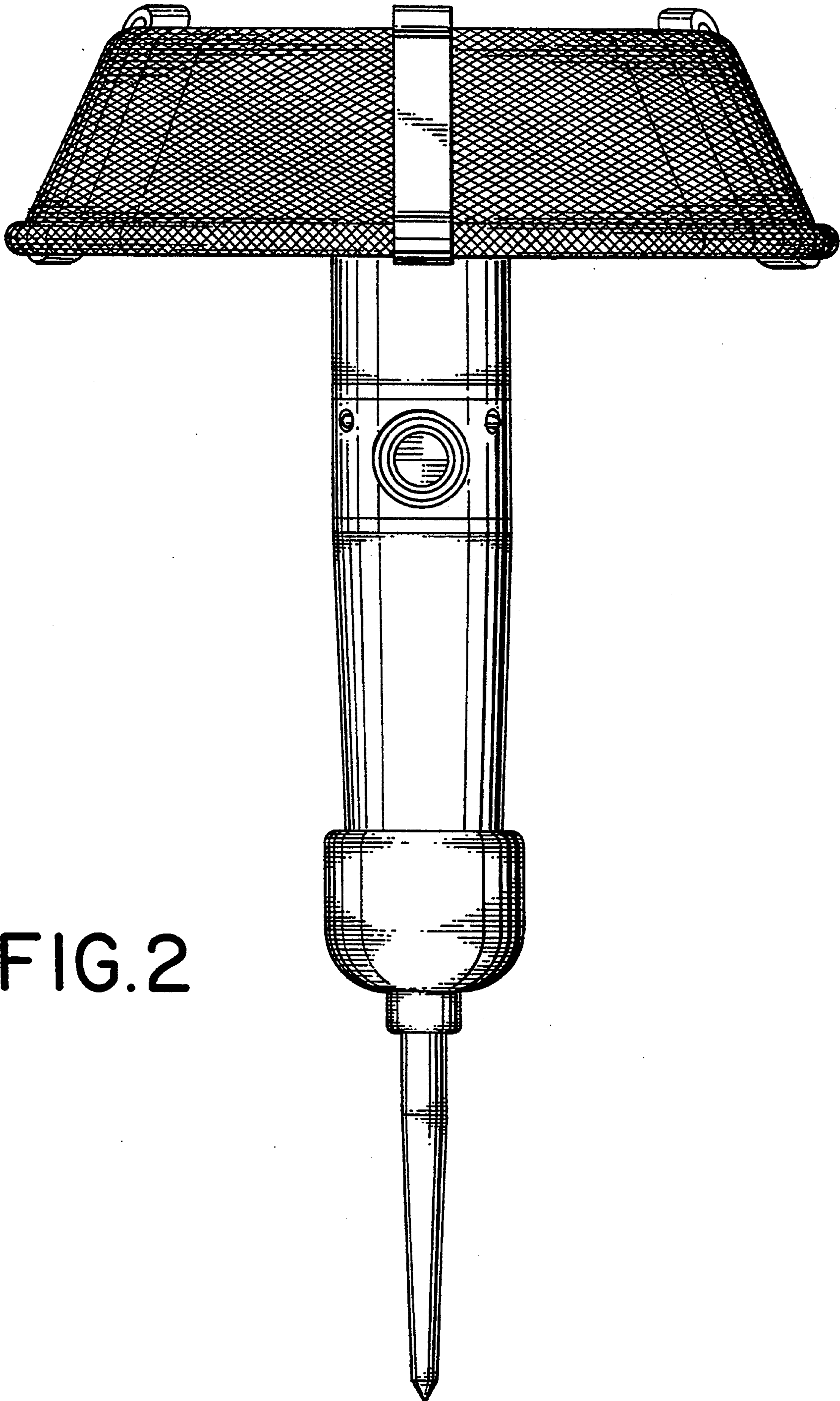


FIG. 2

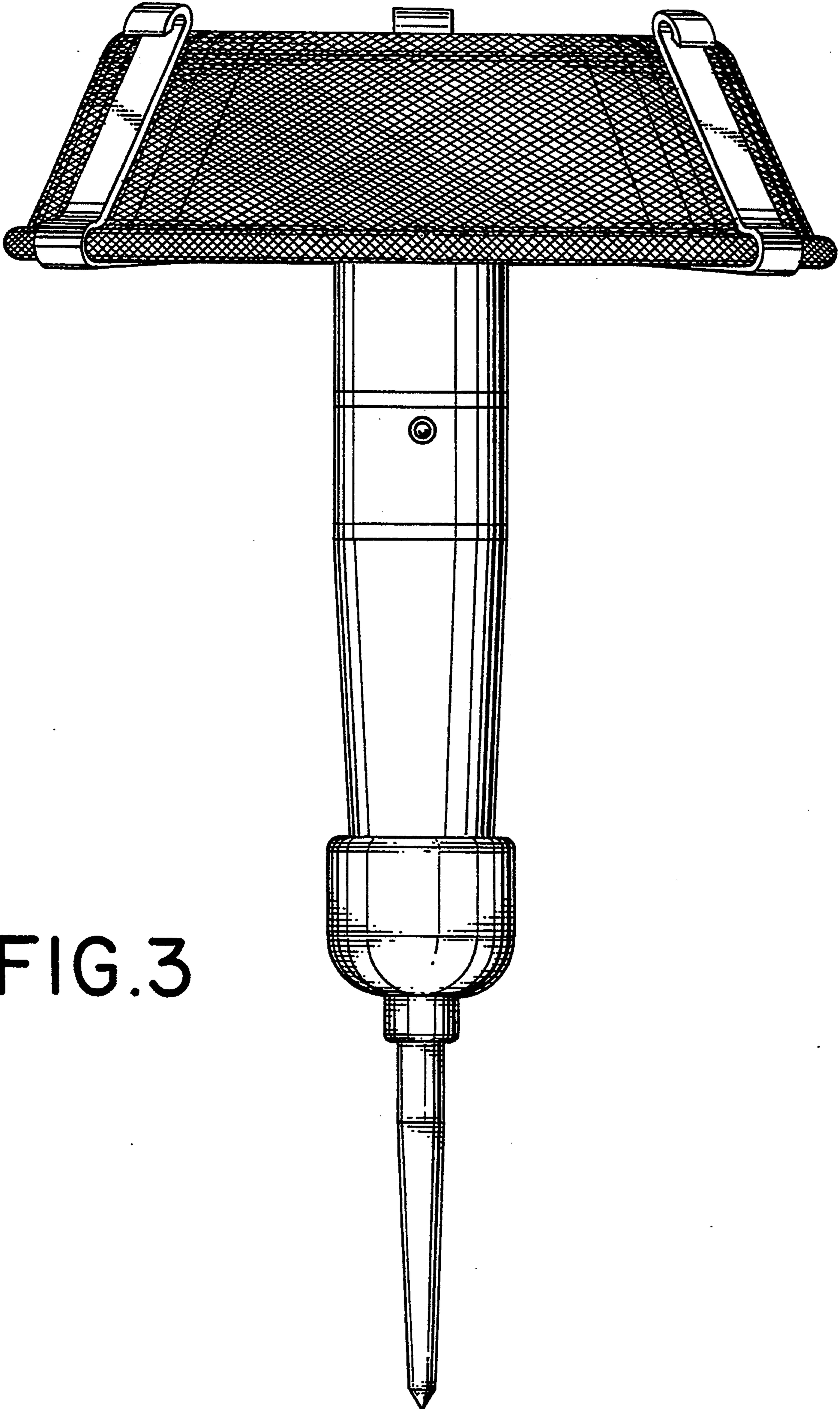


FIG. 3

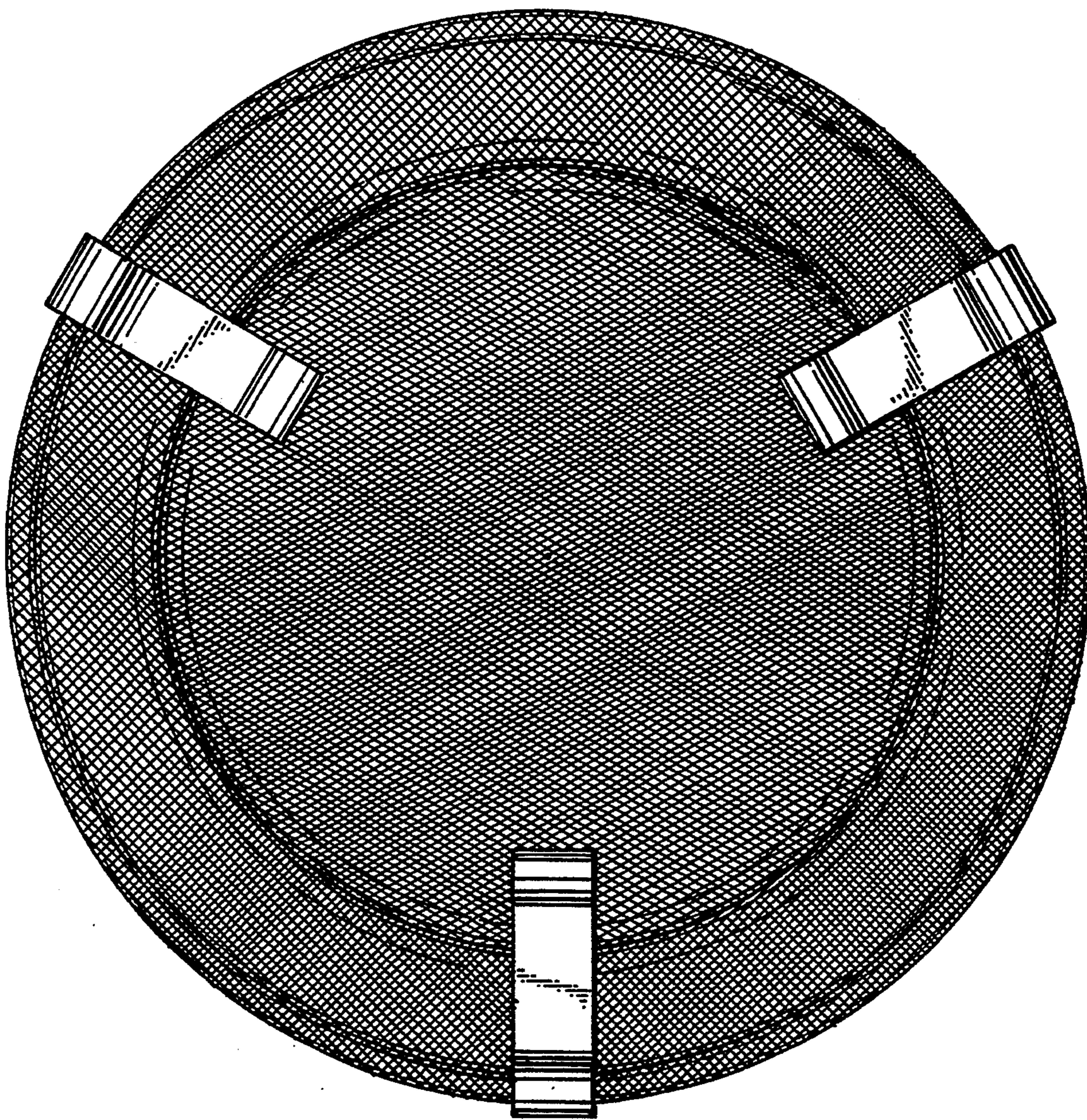


FIG. 4

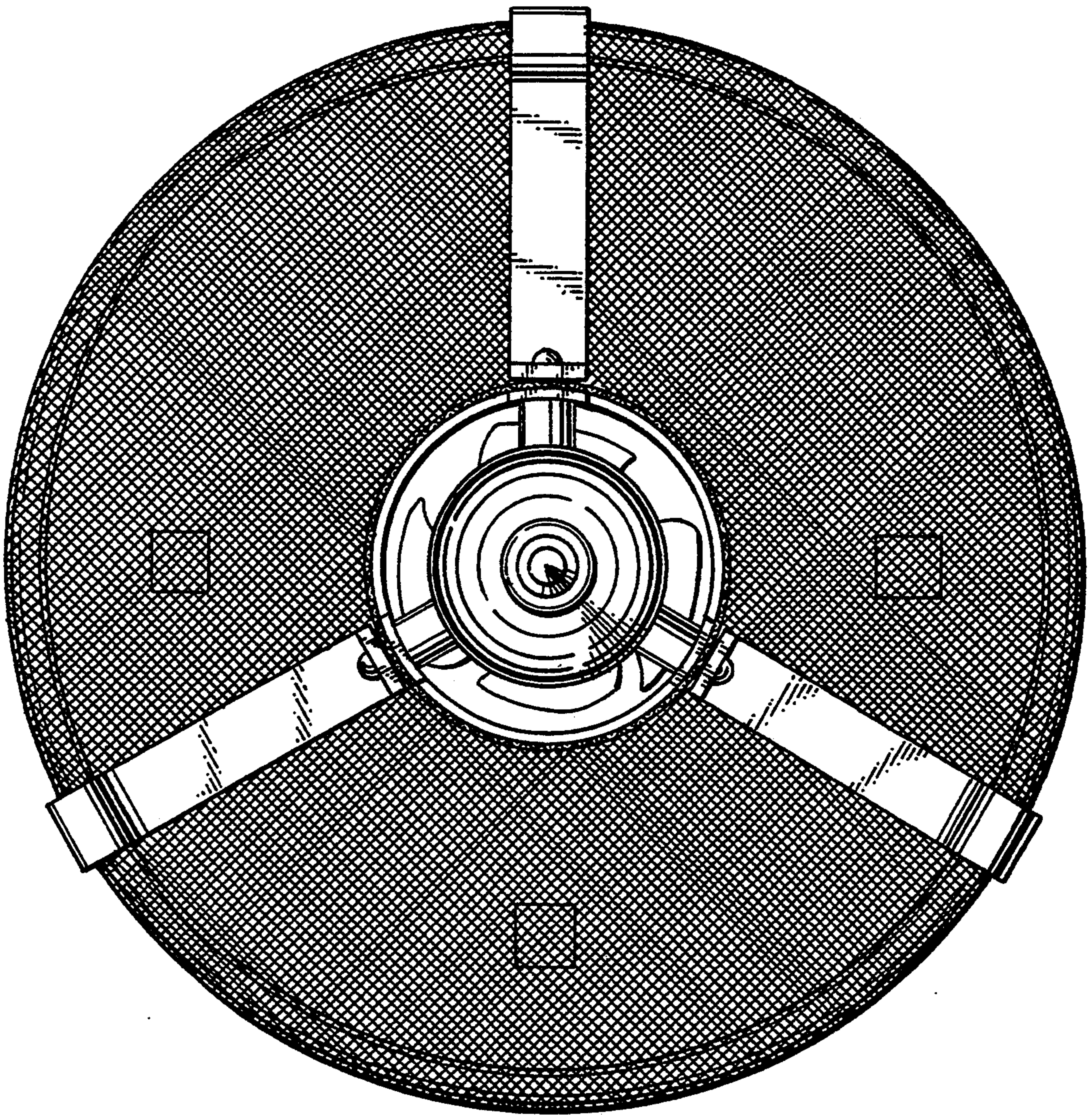


FIG. 5